



US00D443200S

(12) **United States Design Patent**
Amburgey

(10) **Patent No.:** **US D443,200 S**

(45) **Date of Patent:** **** Jun. 5, 2001**

(54) **CARPET PROTECTOR**

Primary Examiner—Pamela Burgess

(76) **Inventor:** **Jill D Amburgey**, 5280 Edgelake Dr.,
Pinckney, MI (US) 48169-9400

(57) **CLAIM**

The ornamental design for a carpet protector, as shown and described.

(**) **Term:** **14 Years**

DESCRIPTION

(21) **Appl. No.:** **29/115,655**

FIG. 1 is a top, front, right side perspective view of the carpet protector of the present invention;

(22) **Filed:** **Dec. 17, 1999**

FIG. 2 is a reduced scale top, front, right side view in use of the carpet protector of FIG. 1;

(51) **LOC (7) Cl.** **08-05**

(52) **U.S. Cl.** **D8/374**

(58) **Field of Search** D8/374; 248/188.8,
248/188.9, 346.11, 346.01; 16/42 R

FIG. 3 is an enlarged front elevational view of the carpet protector of FIG. 1, the rear view being a mirror image thereof;

(56) **References Cited**

U.S. PATENT DOCUMENTS

D. 361,505	8/1995	Carioli .	
D. 379,582	6/1997	Adams .	
1,912,728	6/1933	Roe .	
2,301,385	11/1942	Ehrgott .	
2,944,366	7/1960	Joabson .	
3,333,805 *	8/1967	Marshall 248/188.9
5,743,506	4/1998	Adams .	
5,823,492 *	10/1998	Anselmo 248/188.1

FIG. 4 is a left side elevational view of the carpet protector of FIG. 1, the right view being a mirror image thereof;

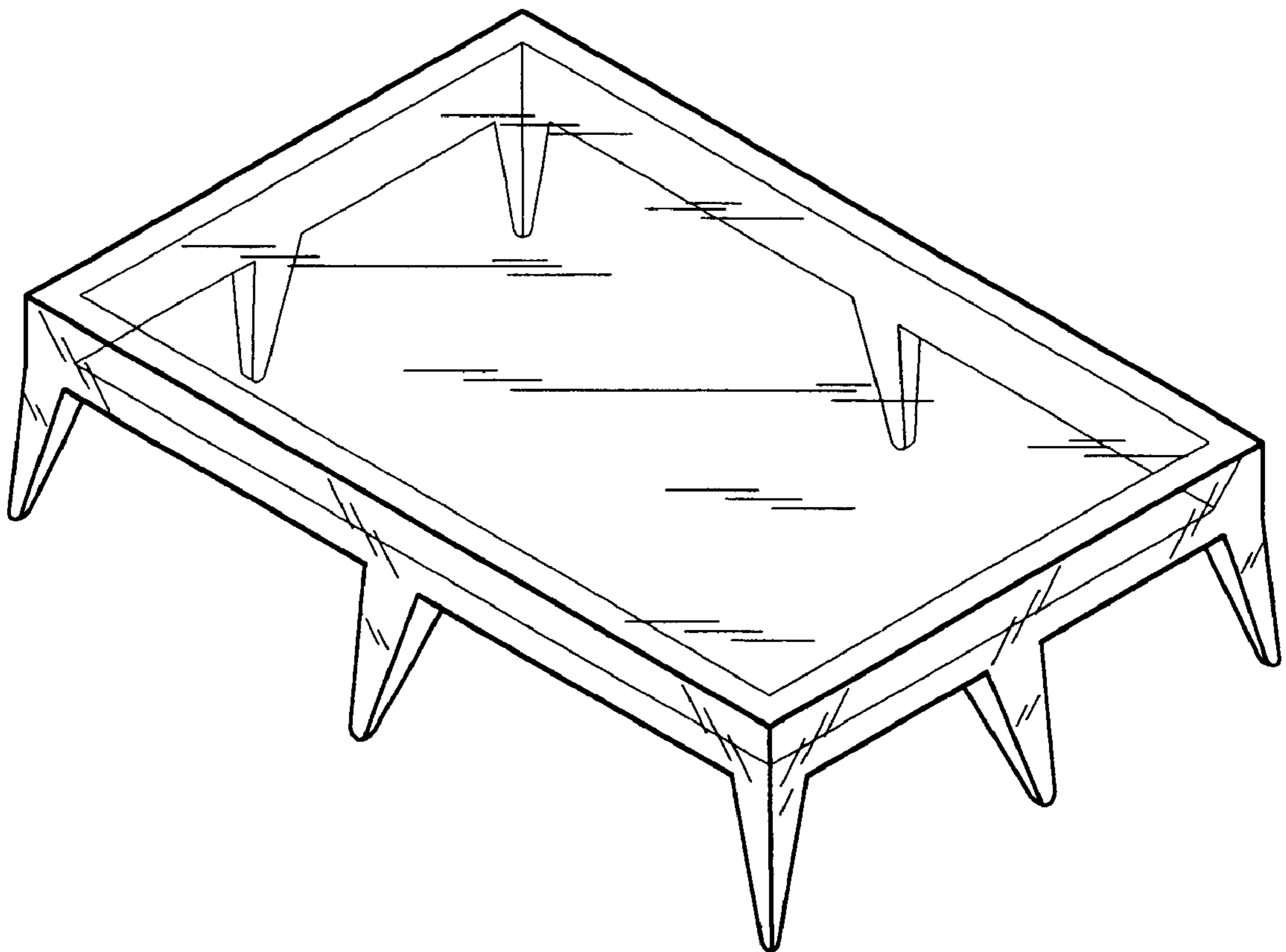
FIG. 5 is a top plan view of the carpet protector of FIG. 1; and,

FIG. 6 is a bottom plan view of the carpet protector of FIG. 1.

The broken lines showing of a file cabinet in FIG. 2 is for illustrative purposes only and forms no part of the claimed design.

* cited by examiner

1 Claim, 2 Drawing Sheets



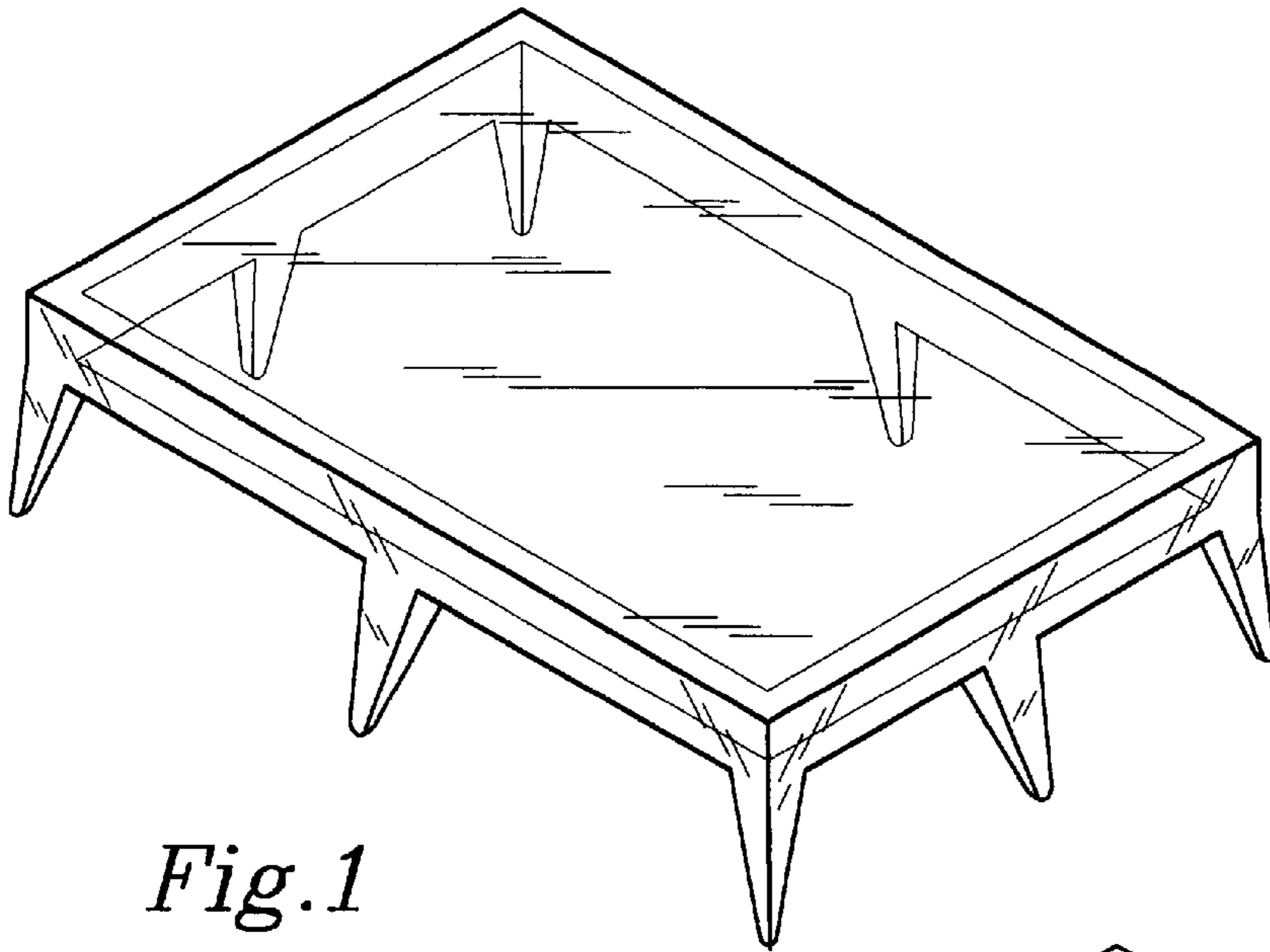


Fig. 1

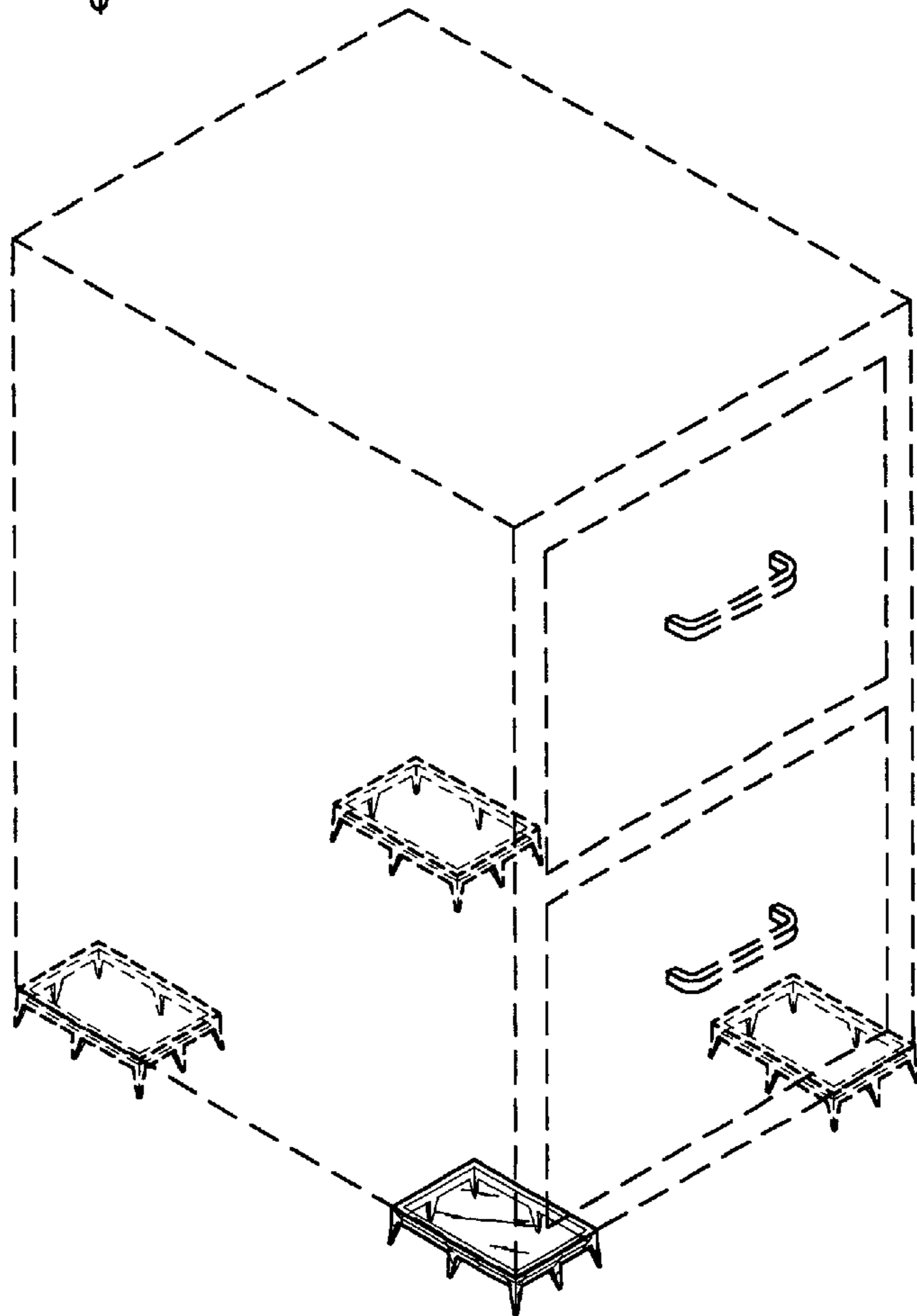


Fig. 2

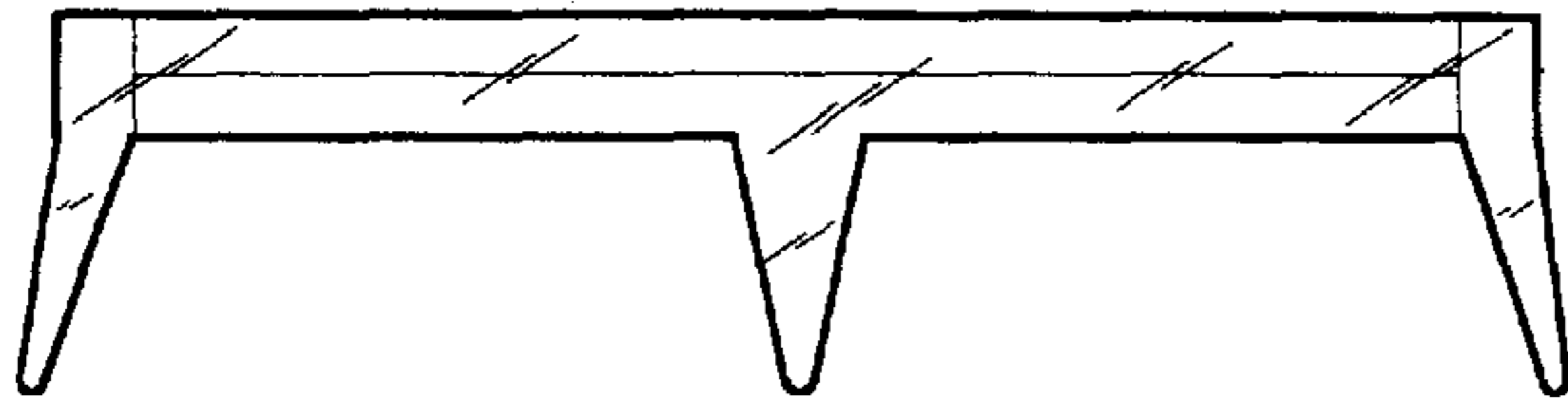


Fig. 3

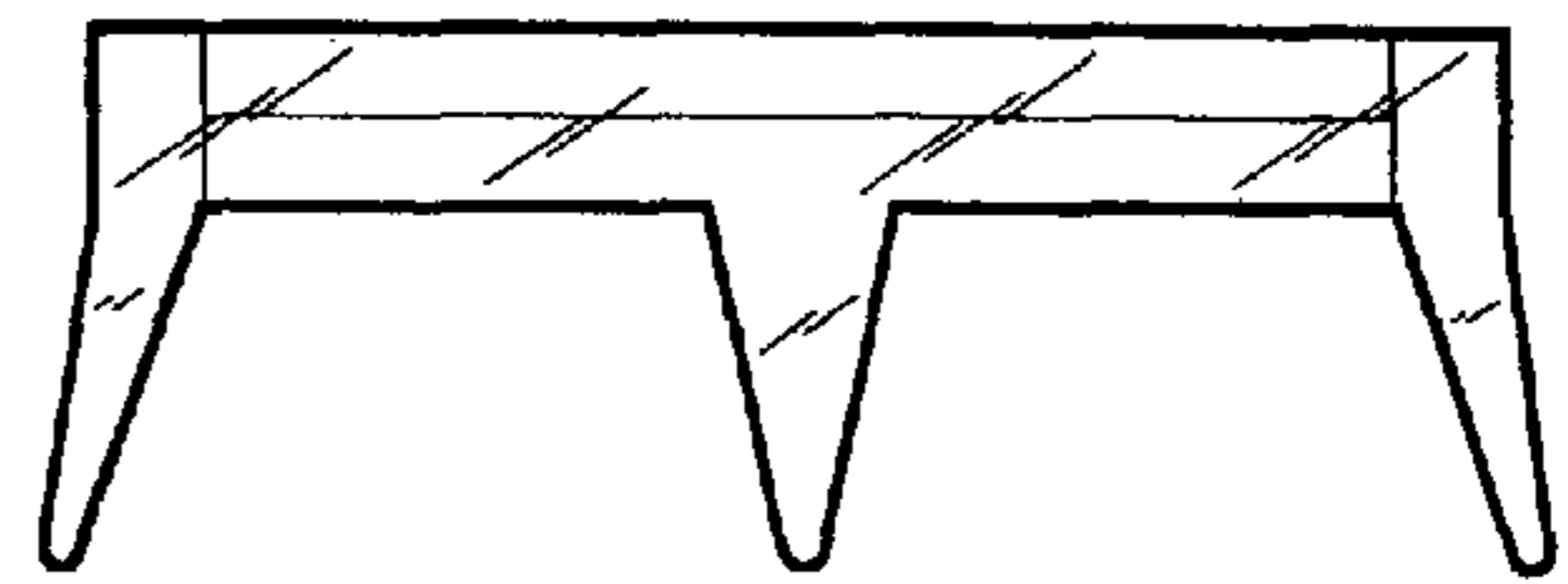


Fig. 4

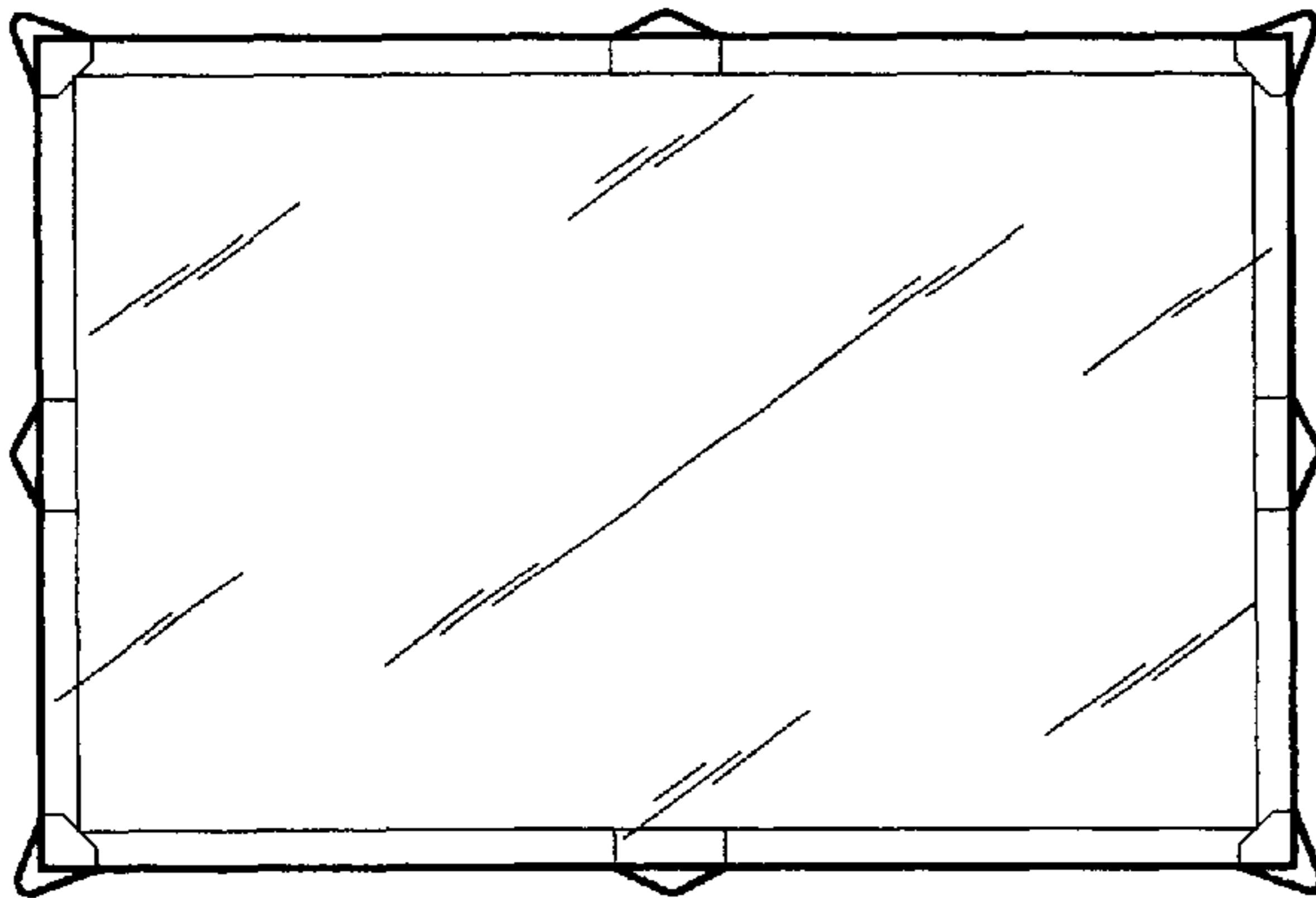


Fig. 5

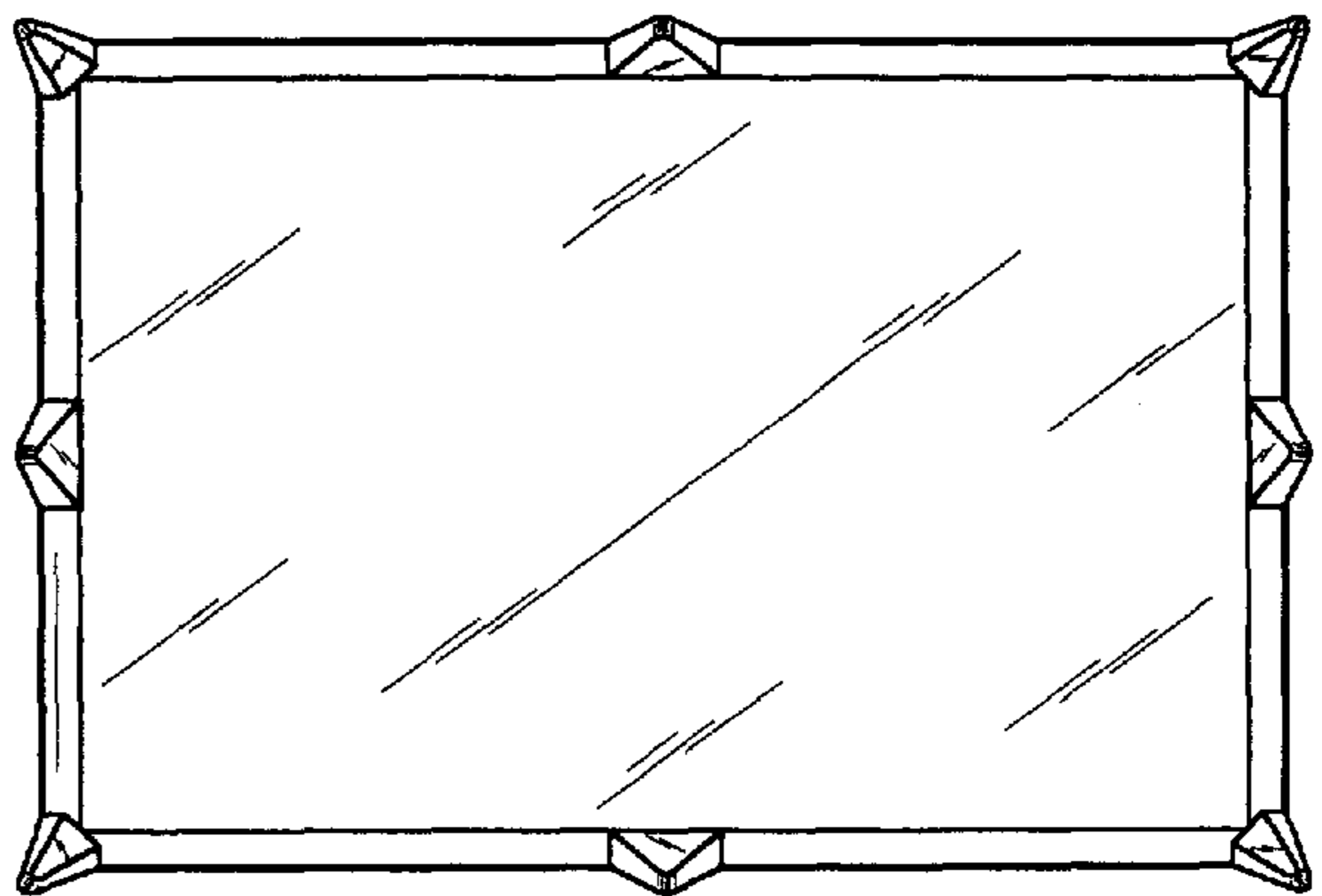


Fig. 6