



US00D443199S

(12) **United States Design Patent**
Swanson

(10) **Patent No.:** **US D443,199 S**

(45) **Date of Patent:** **** Jun. 5, 2001**

(54) **STATIONARY CLIP HOLDER FOR A TAPE MEASURE WITH A BELT CLIP**

5,409,336 4/1995 Jericevich et al. .

OTHER PUBLICATIONS

(76) **Inventor:** **Ted W. Swanson**, 1707 Reno Rd., Sterling, IL (US) 61081

Meyer Hook catalog, Aug. 1995, no page number, hook, model no. 352, located in middle of page.*

(**) **Term:** **14 Years**

* cited by examiner

(21) **Appl. No.:** **29/123,579**

Primary Examiner—Holly Baynham

(22) **Filed:** **May 19, 2000**

(74) *Attorney, Agent, or Firm*—Keith Frantz

(51) **LOC (7) Cl.** **08-05**

(52) **U.S. Cl.** **D8/373**

(58) **Field of Search** D8/349, 354; 248/300, 248/214, 215, 314, 200

(57) **CLAIM**

The ornamental design for a stationary clip holder for a tape measure with a belt clip, as shown and described.

DESCRIPTION

(56) **References Cited**

U.S. PATENT DOCUMENTS

D. 185,474	*	6/1959	Waller	D8/354
D. 316,484		4/1991	Kounis et al.	.	
D. 338,048	*	8/1993	Finley	D21/796
D. 345,465		3/1994	Greig	.	
D. 374,766		10/1996	Raus	.	
841,550		1/1907	Leonard	.	
3,991,963		11/1976	Solo	.	
4,026,510		5/1977	Holmes	.	
5,100,037		3/1992	Kopyta et al.	.	
5,172,486		12/1992	Waldherr	.	
5,257,729		11/1993	Silvermail	.	
5,388,741		2/1995	Hillinger	.	

FIG. 1 is a front perspective view showing my new design. FIG. 2 is a front elevation view thereof, the clip holder being shown as mounted to a fragmentary vertical mounting surface with a pair of threaded fastener to illustrate environment, the mounting surface and the outer diameter of the fasteners being shown in dashed lines and forming no part of the claimed design.

FIG. 3 is a right side view thereof, the left side view being a mirror image thereof.

FIG. 4 is a top plan view;

FIG. 5 is a bottom plan view; and,

FIG. 6 is a rear elevation view thereof.

1 Claim, 2 Drawing Sheets

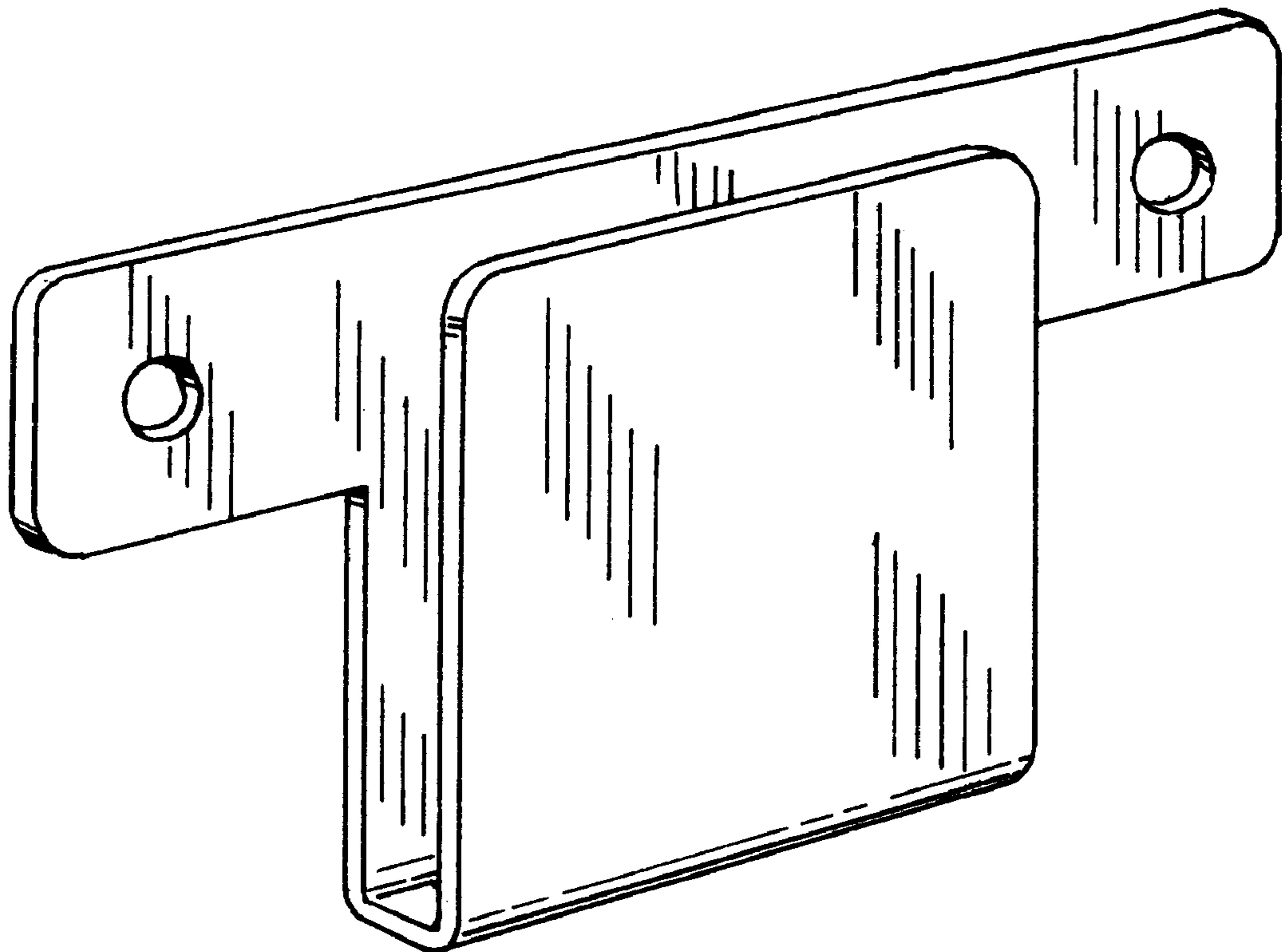


FIG. 1

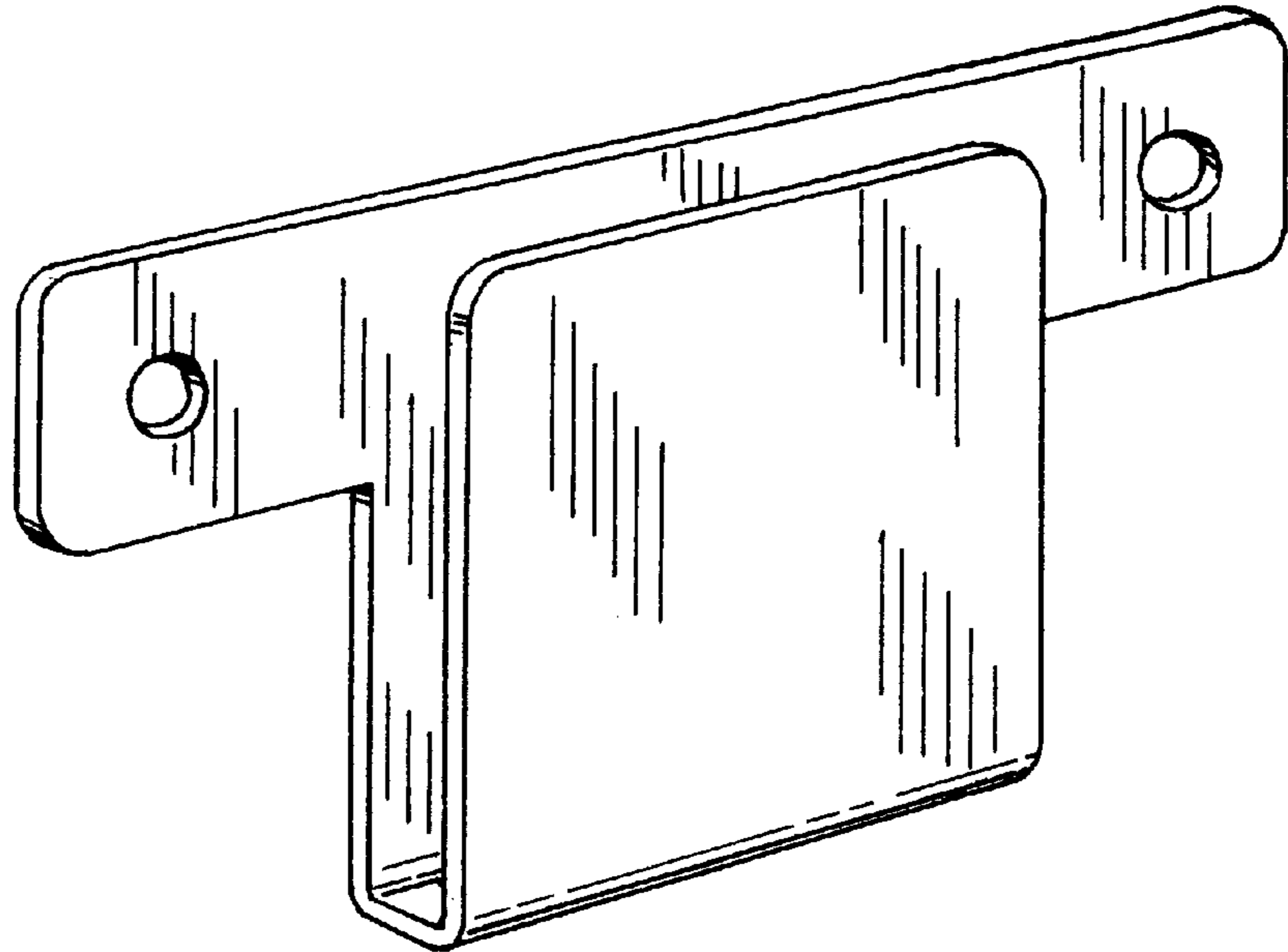


FIG. 2

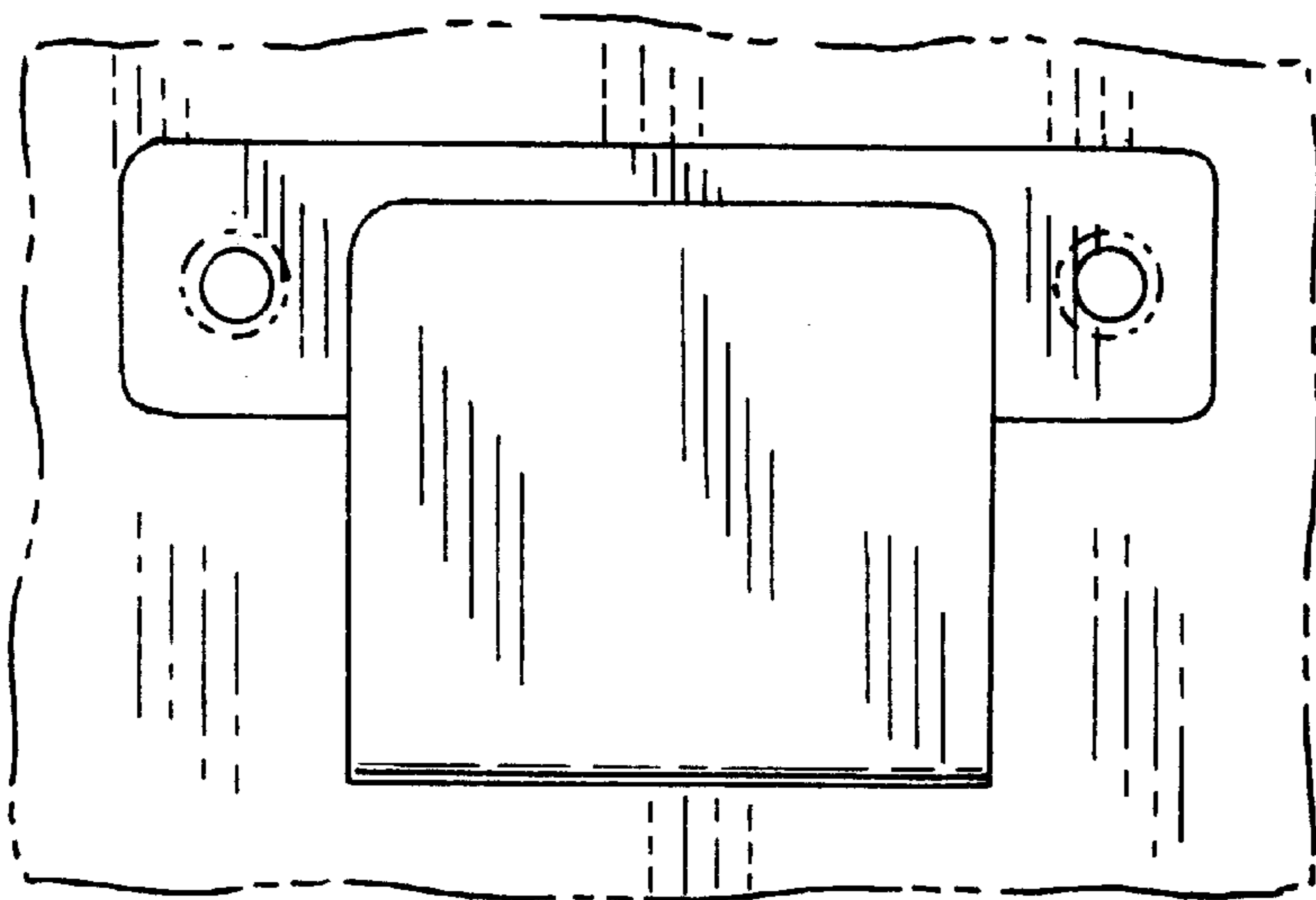


FIG. 3

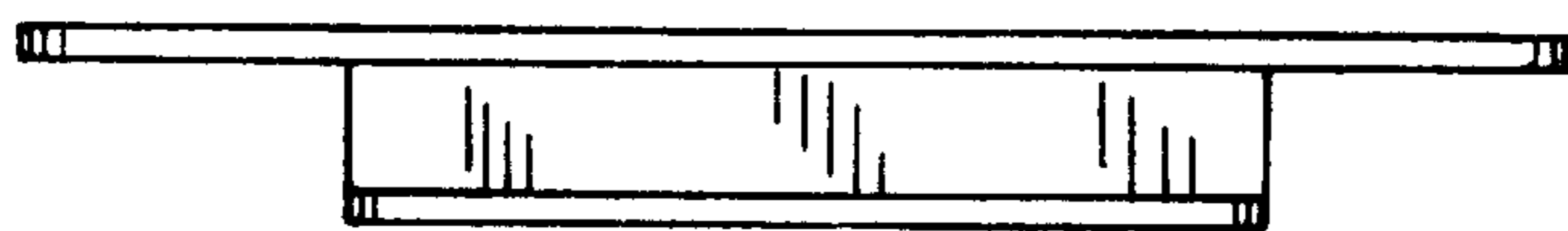
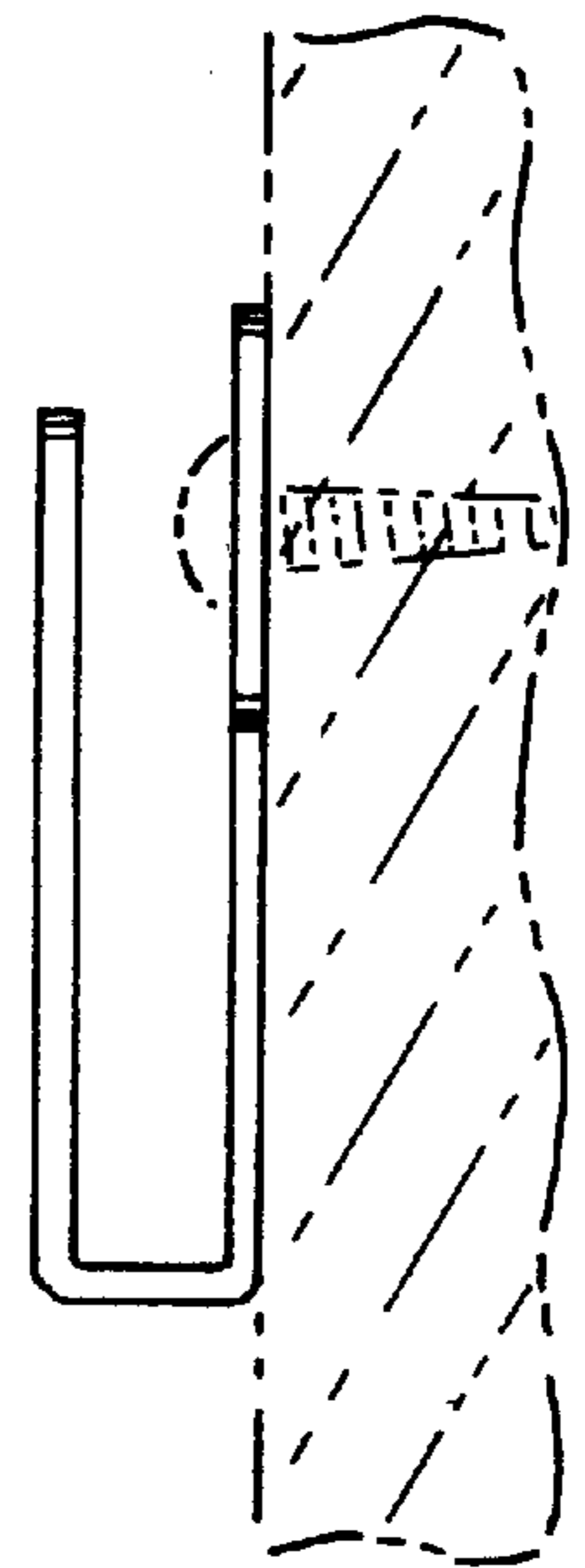


FIG. 4

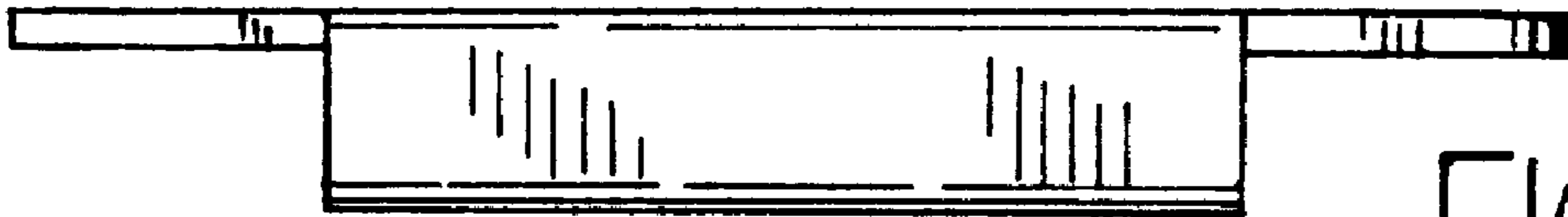


FIG. 5

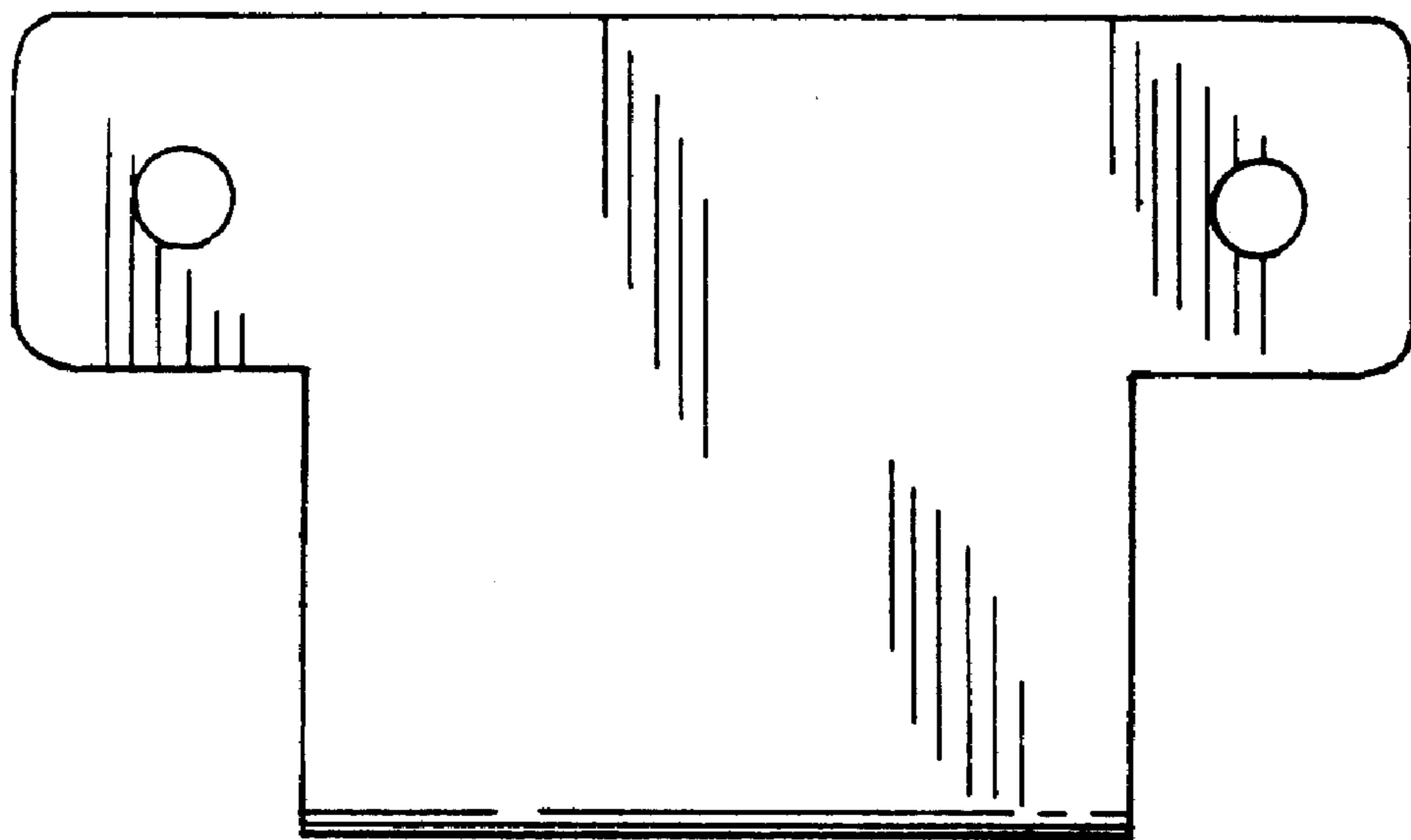


FIG. 6