



US00D443198S

(12) **United States Design Patent**
Snyder

(10) **Patent No.:** **US D443,198 S**

(45) **Date of Patent:** **** Jun. 5, 2001**

(54) **ADJUSTABLE DUCT BRACKET**

(75) Inventor: **Darryl L. Snyder**, Canton, OH (US)

(73) Assignee: **Snyder National, Inc.**, Canton, OH (US)

(**) Term: **14 Years**

(21) Appl. No.: **29/130,819**

(22) Filed: **Oct. 10, 2000**

Related U.S. Application Data

(62) Division of application No. 29/125,570, filed on Jun. 23, 2000.

(51) **LOC (7) Cl.** **08-05**

(52) **U.S. Cl.** **D8/354; D25/164**

(58) **Field of Search** D8/354, 349, 377;
D25/199, 119-125, 164; 248/71, 62; D23/262;
40/790; 52/733.1, 733.2, 733.3

(56) **References Cited**

U.S. PATENT DOCUMENTS

- D. 301,304 * 5/1989 Will D8/373
- D. 399,725 * 10/1998 Baker D8/354
- D. 430,479 * 9/2000 McDonald D8/354

* cited by examiner

Primary Examiner—Pamela Burgess

(74) *Attorney, Agent, or Firm*—Sand & Sebolt

(57) **CLAIM**

The ornamental design for an adjustable duct bracket, as shown and described.

DESCRIPTION

FIG. 1 is a perspective view of an adjustable duct bracket showing my new design;

FIG. 2 is a top plan view of the adjustable duct bracket of FIG. 1;

FIG. 3 is a front elevational view of FIG. 2;

FIG. 4 is a bottom plan view of FIG. 2;

FIG. 5 is a right side elevational view of FIG. 2, the left side being a mirror image thereof;

FIG. 6 is a perspective view of a second embodiment of FIG. 1, showing my new design;

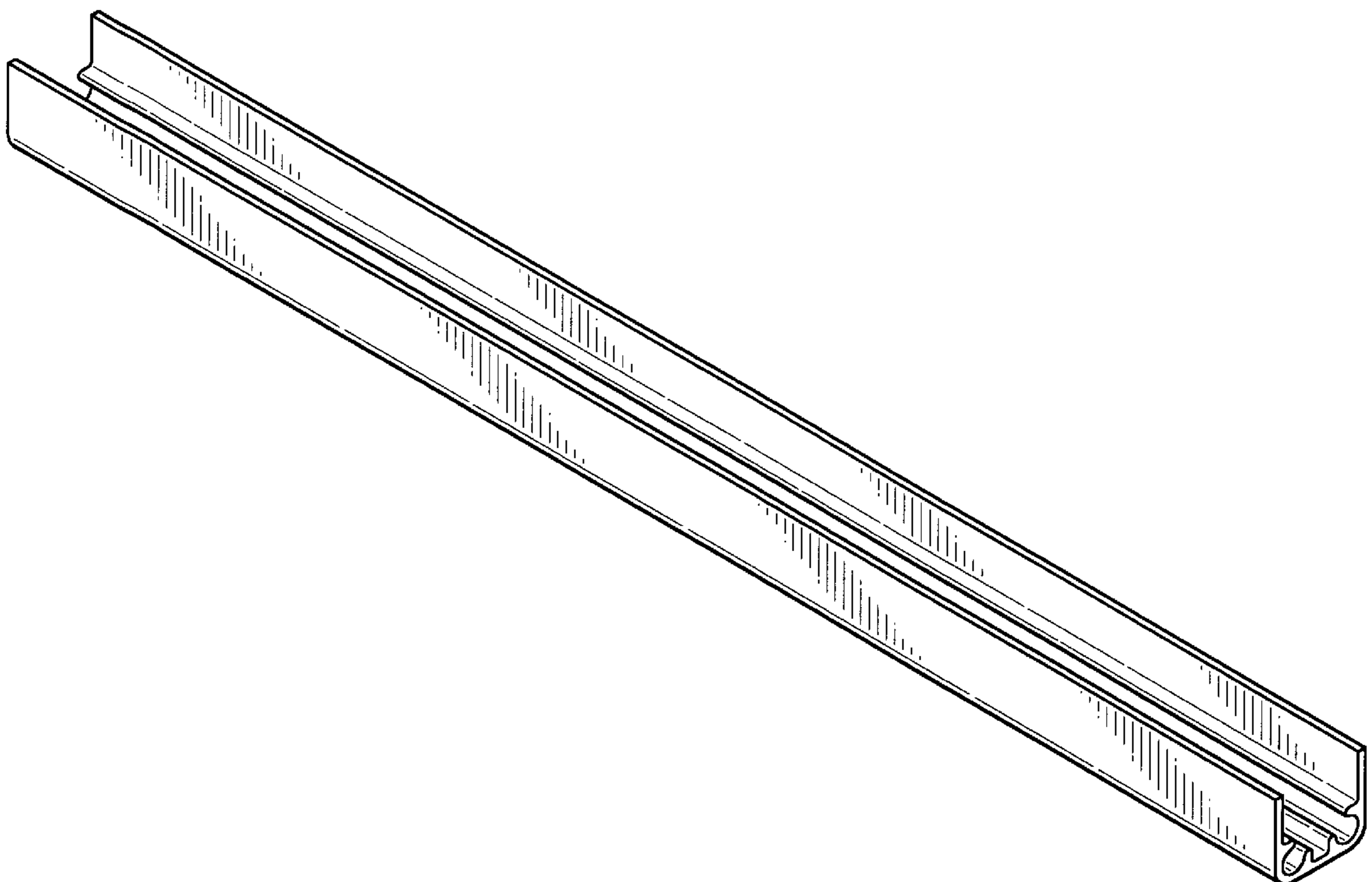
FIG. 7 is a top plan view of the adjustable duct bracket of FIG. 6;

FIG. 8 is a front elevational view of FIG. 7;

FIG. 9 is a bottom plan view of FIG. 7; and,

FIG. 10 is a right side elevational view of FIG. 7, the left side being a mirror image thereof.

1 Claim, 4 Drawing Sheets



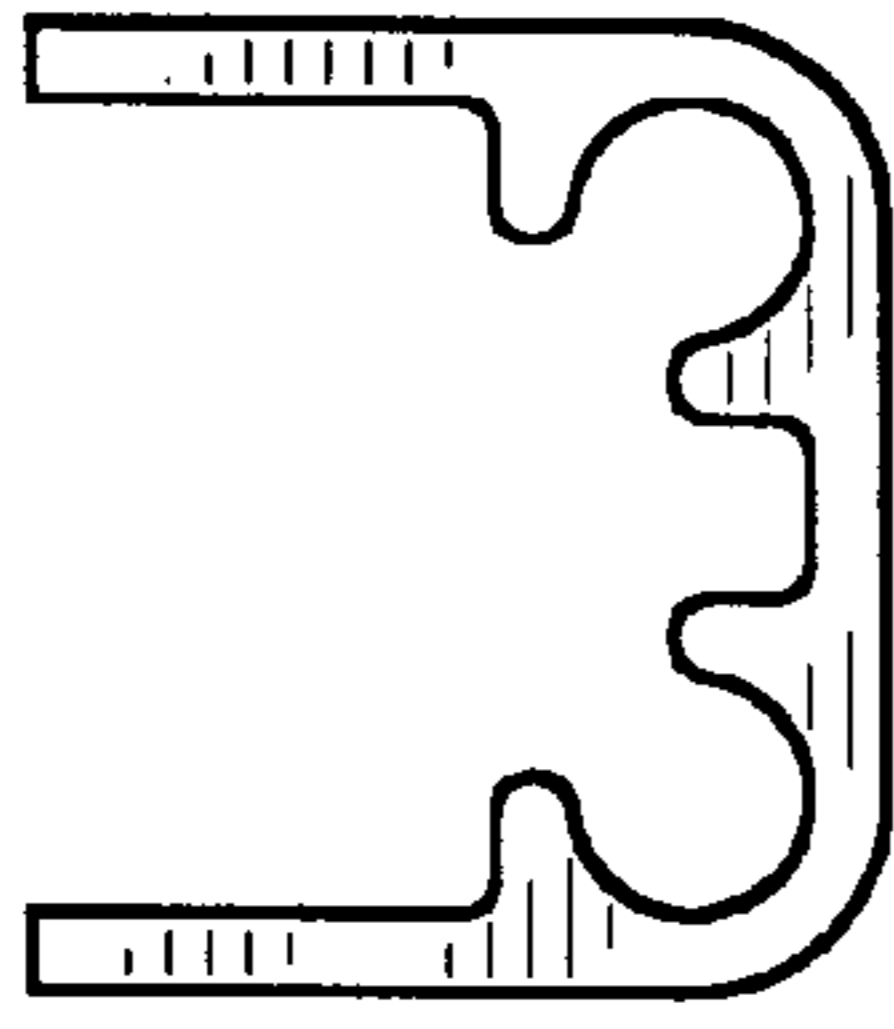


FIG-5

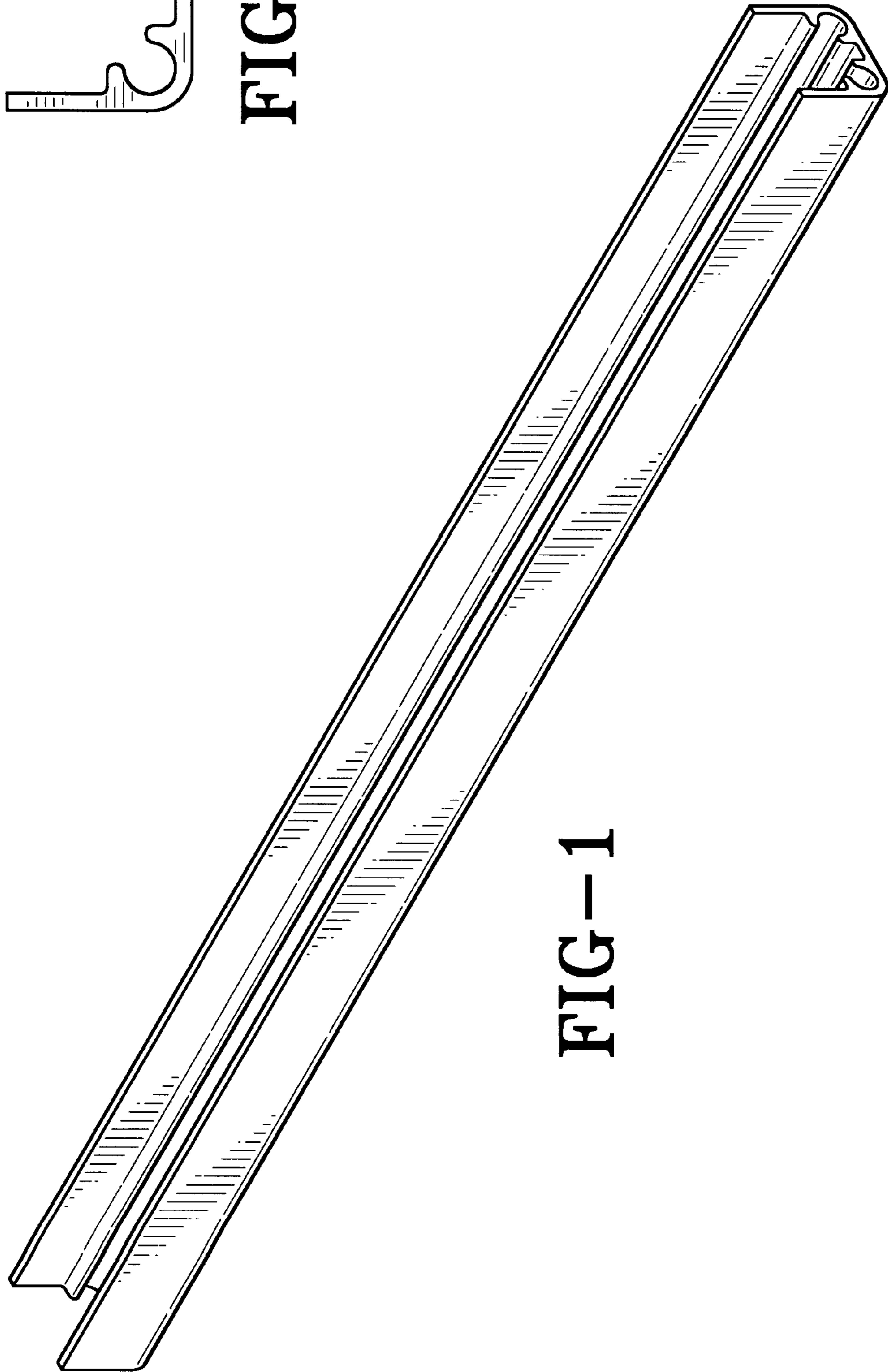


FIG-1



FIG-2

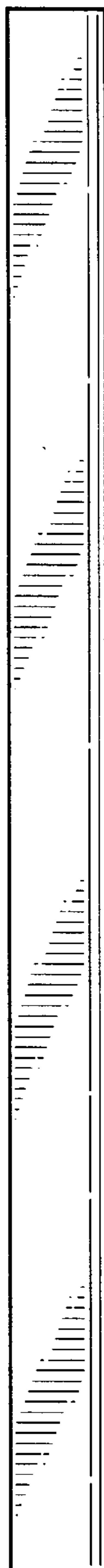


FIG-3

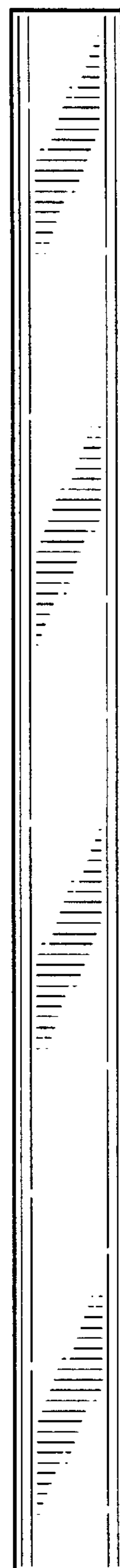


FIG-4

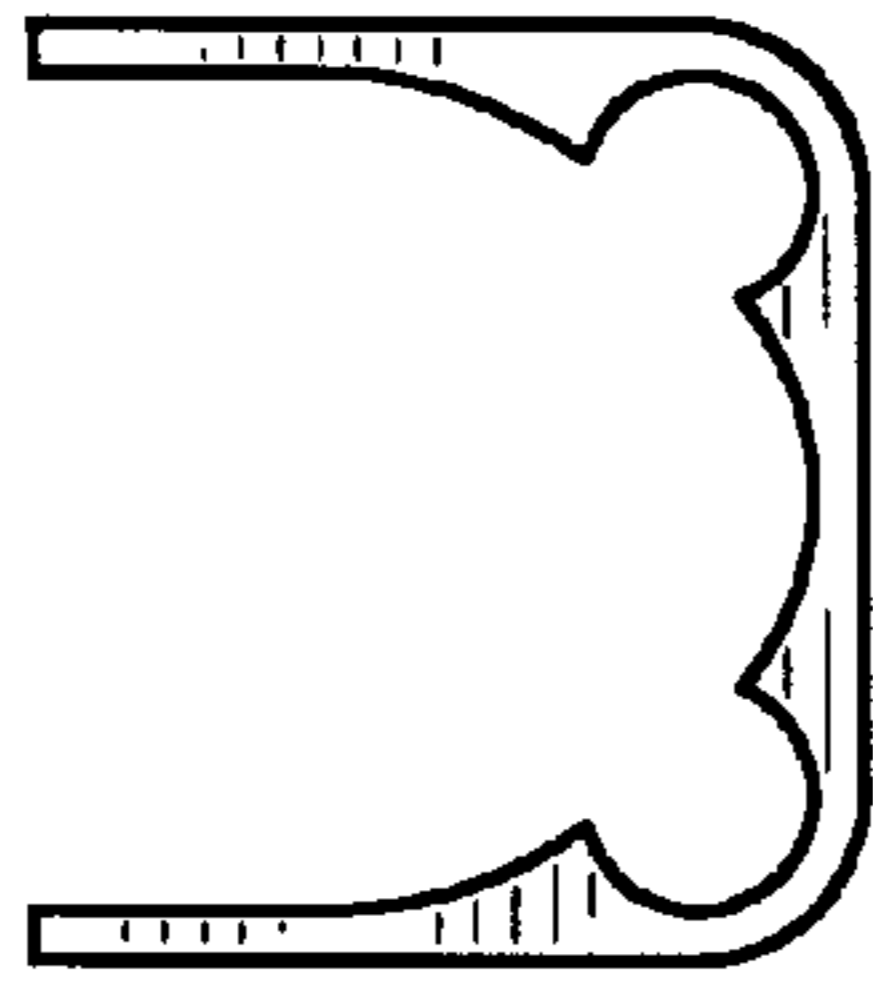


FIG-10

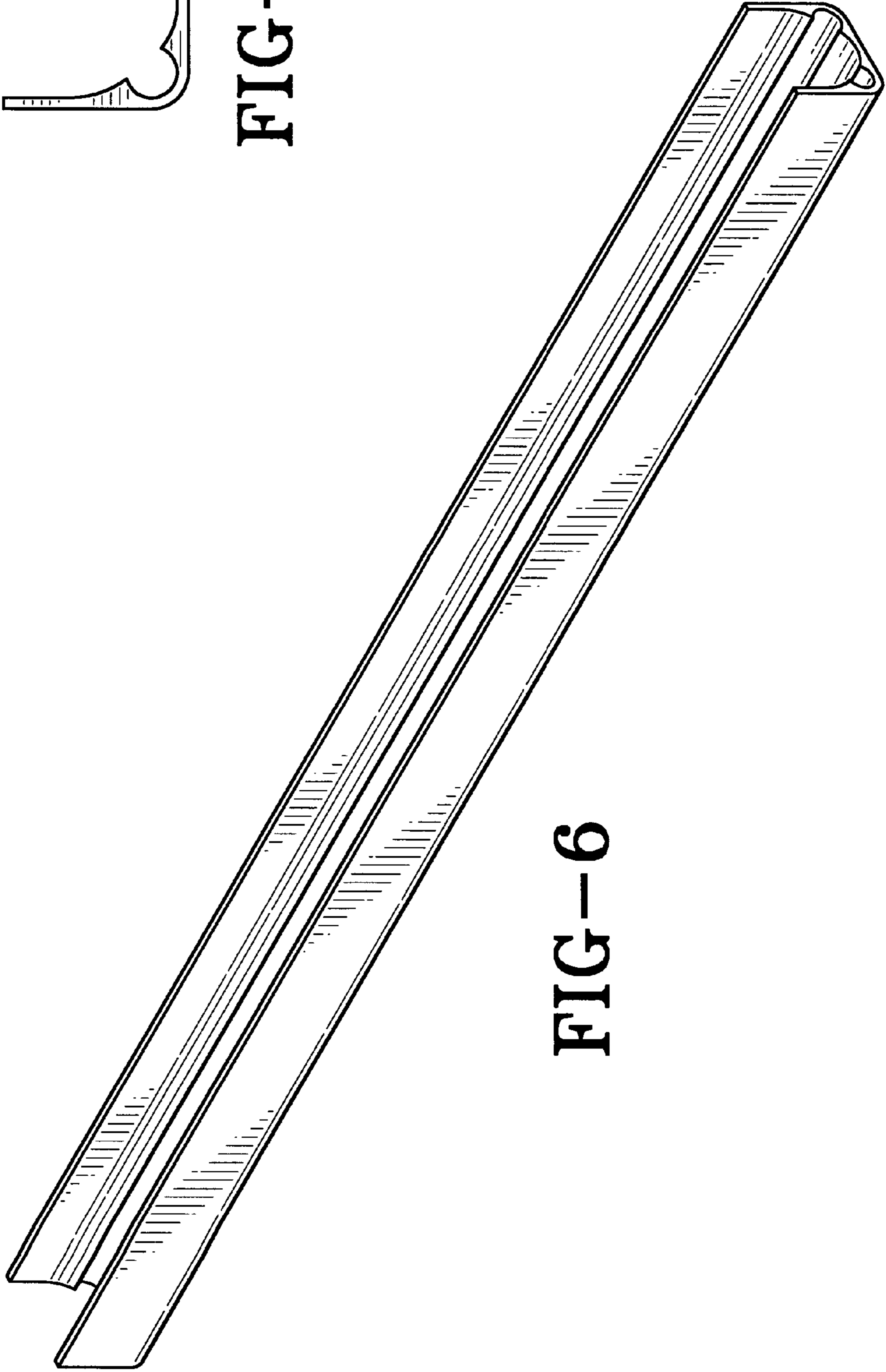


FIG-6



FIG-7

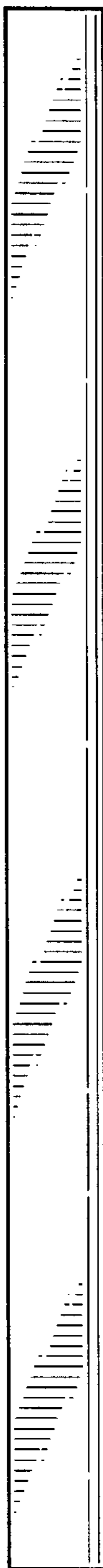


FIG-8

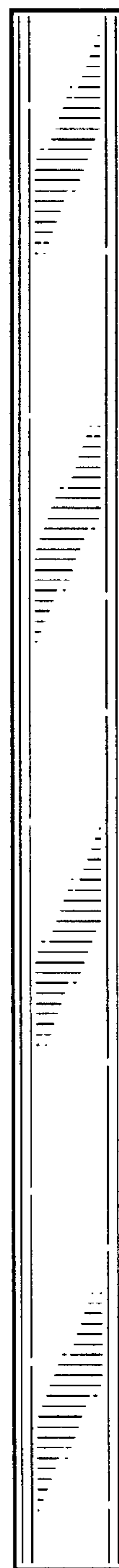


FIG-9