



US00D443196S

(12) **United States Design Patent**
Sosa

(10) **Patent No.:** **US D443,196 S**

(45) **Date of Patent:** **** Jun. 5, 2001**

(54) **GATE HINGE**

DESCRIPTION

(76) Inventor: **Saul S. Sosa**, 794 E. 3950 North,
Provo, UT (US) 84604

(**) Term: **14 Years**

(21) Appl. No.: **29/118,648**

(22) Filed: **Feb. 11, 2000**

(51) **LOC (7) Cl.** **08-06**

(52) **U.S. Cl.** **D8/323; D8/330**

(58) **Field of Search** **D8/323, 327-9,**
D8/330; 49/381, 386; 16/319, 339, 307,
72, 76

(56) **References Cited**

U.S. PATENT DOCUMENTS

- D. 204,872 * 5/1966 Davis .
- D. 212,424 * 10/1968 Jackson, Jr. .
- D. 396,626 8/1998 Francom .
- 3,411,241 * 11/1968 Harmon .
- 5,199,218 * 4/1993 McQuade .
- 5,356,095 * 10/1994 Aker .

OTHER PUBLICATIONS

Hammacher Schlemmer & Co Cat.; p. 984; hinges Nos.
1000 and 1001, Apr. 1915.*

* cited by examiner

Primary Examiner—B. J. Bullock

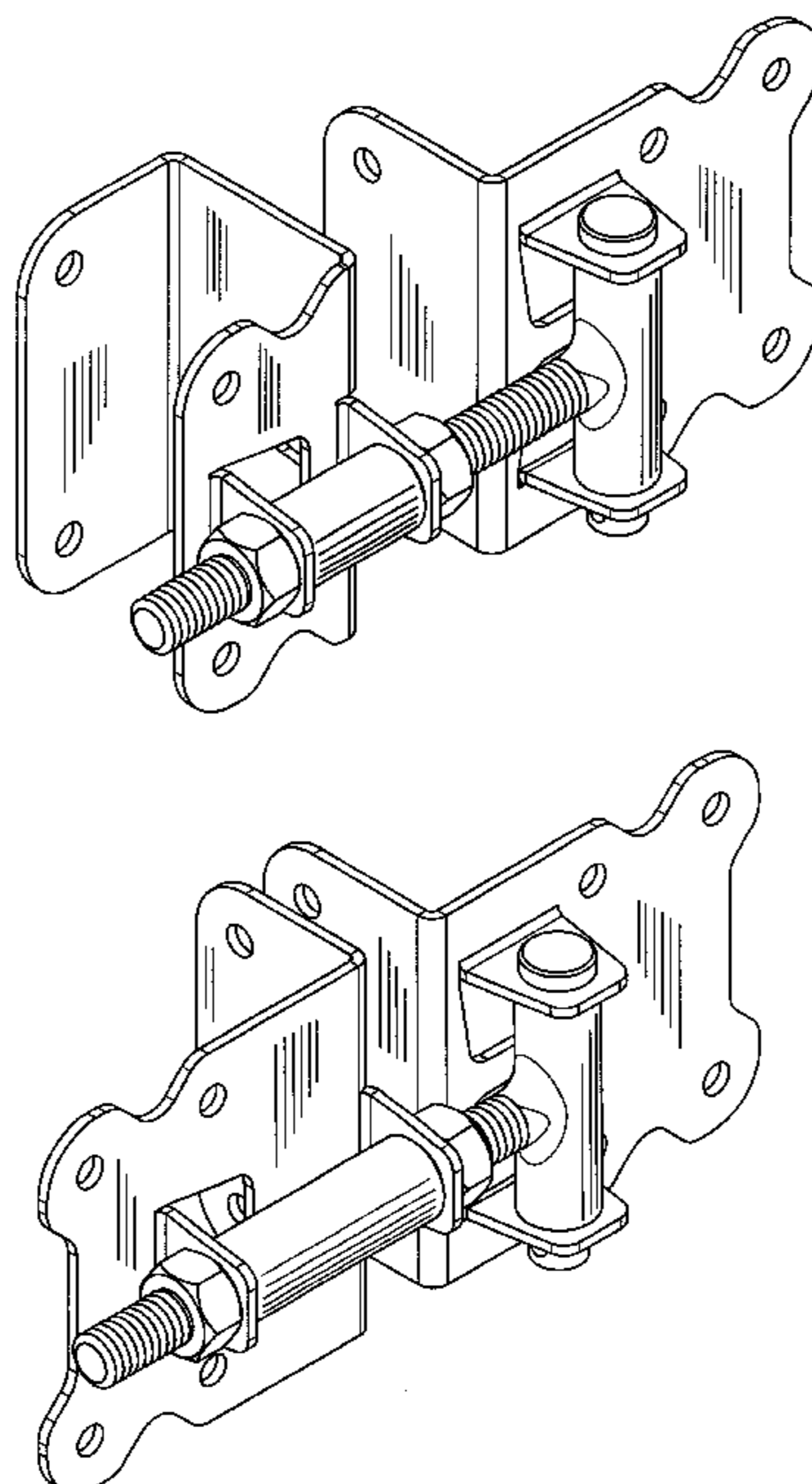
(74) *Attorney, Agent, or Firm*—Wayne Duffy

(57) **CLAIM**

The ornamental design for a gate hinge, as shown and
described.

FIG. 1 is an isometric view of a first embodiment of the new gate hinge;
 FIG. 2 is a right side elevational view of the first embodiment hinge;
 FIG. 3 is a left side elevational view of the first embodiment hinge;
 FIG. 4 is front elevational view of the first embodiment hinge;
 FIG. 5 is a rear elevational view of the first embodiment hinge;
 FIG. 6 is a top plan view of the first embodiment hinge;
 FIG. 7 is a right side elevational view of the left bracket of the disassembled first embodiment hinge;
 FIG. 8 is an isometric view of the left bracket of the disassembled first embodiment hinge;
 FIG. 9 is an isometric view of a second embodiment of the new gate hinge;
 FIG. 10 is an isometric view of the right bracket of either the disassembled first embodiment gate hinge or the disassembled second embodiment gate hinge;
 FIG. 11 is front elevational view of the second embodiment hinge;
 FIG. 12 is a rear elevational view of the second embodiment hinge;
 FIG. 13 is an isometric view of the left bracket of the disassembled second embodiment hinge;
 FIG. 14 is a right side elevational view of the first embodiment hinge;
 FIG. 15 is a left side elevational view of the second embodiment hinge; and,
 FIG. 16 is a top plan view of the second embodiment hinge.
 The brackets in FIGS. 7, 8, 10 and 13 are shown separately for clarity of illustration.

1 Claim, 5 Drawing Sheets



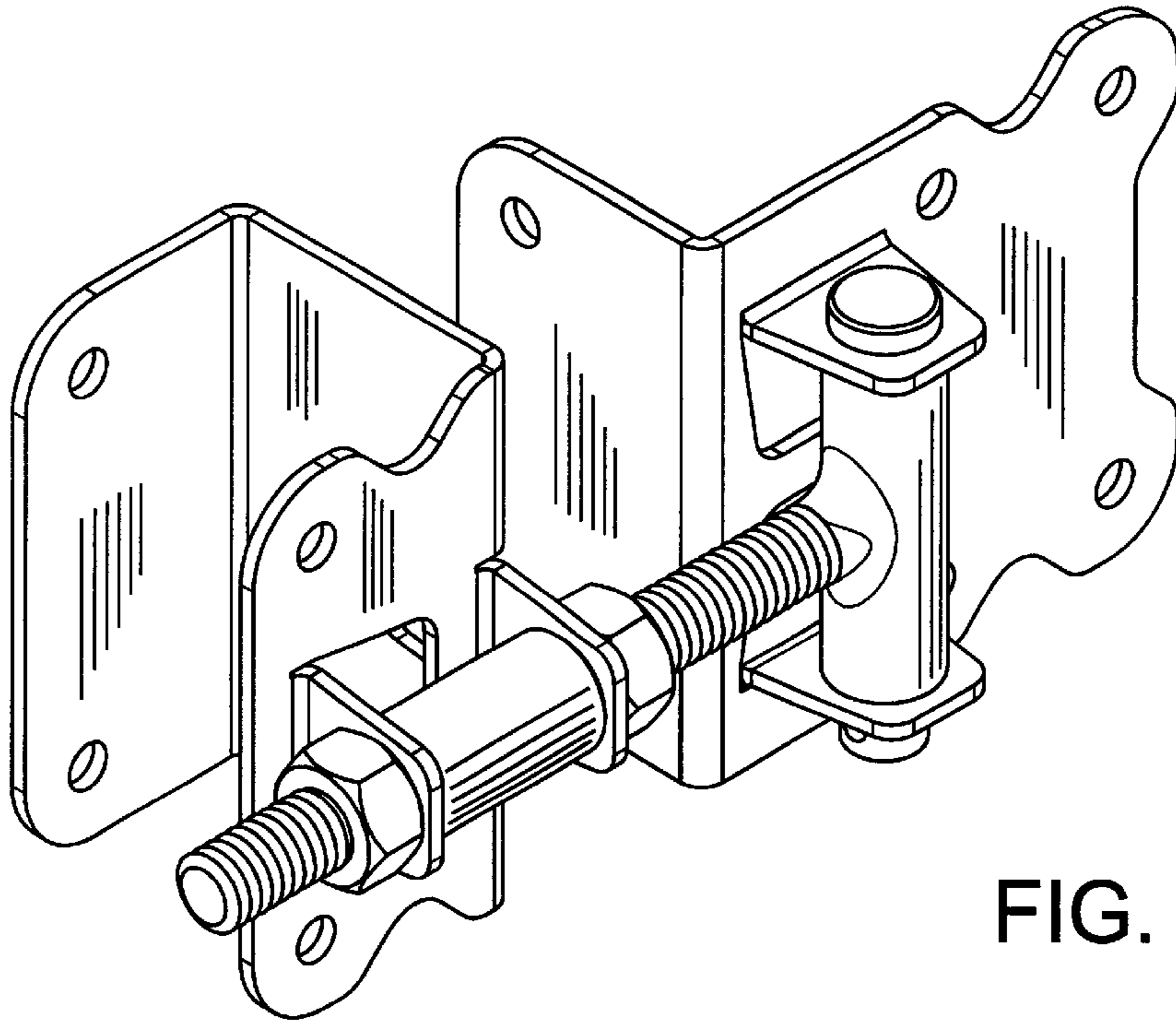


FIG. 1

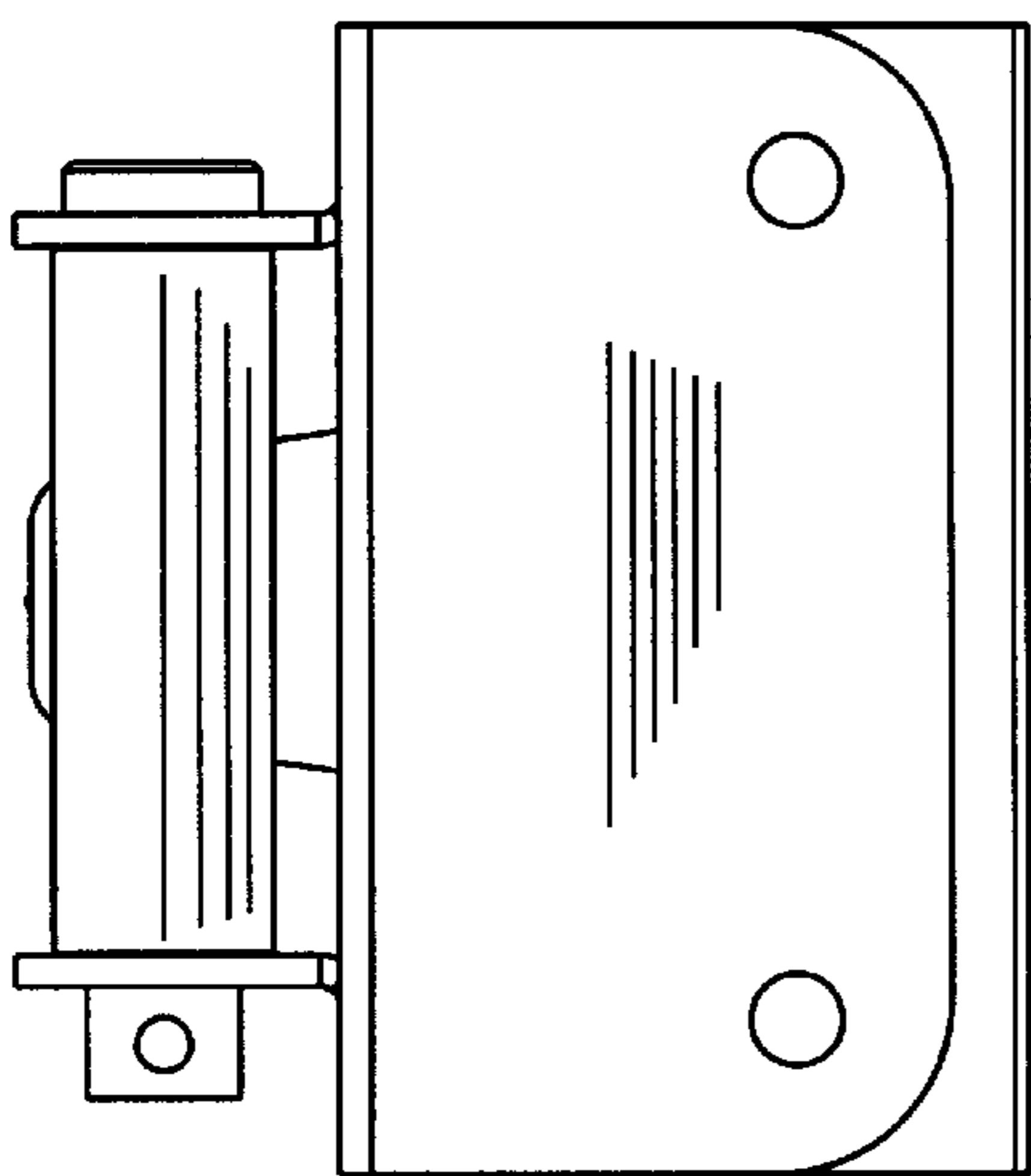


FIG. 2

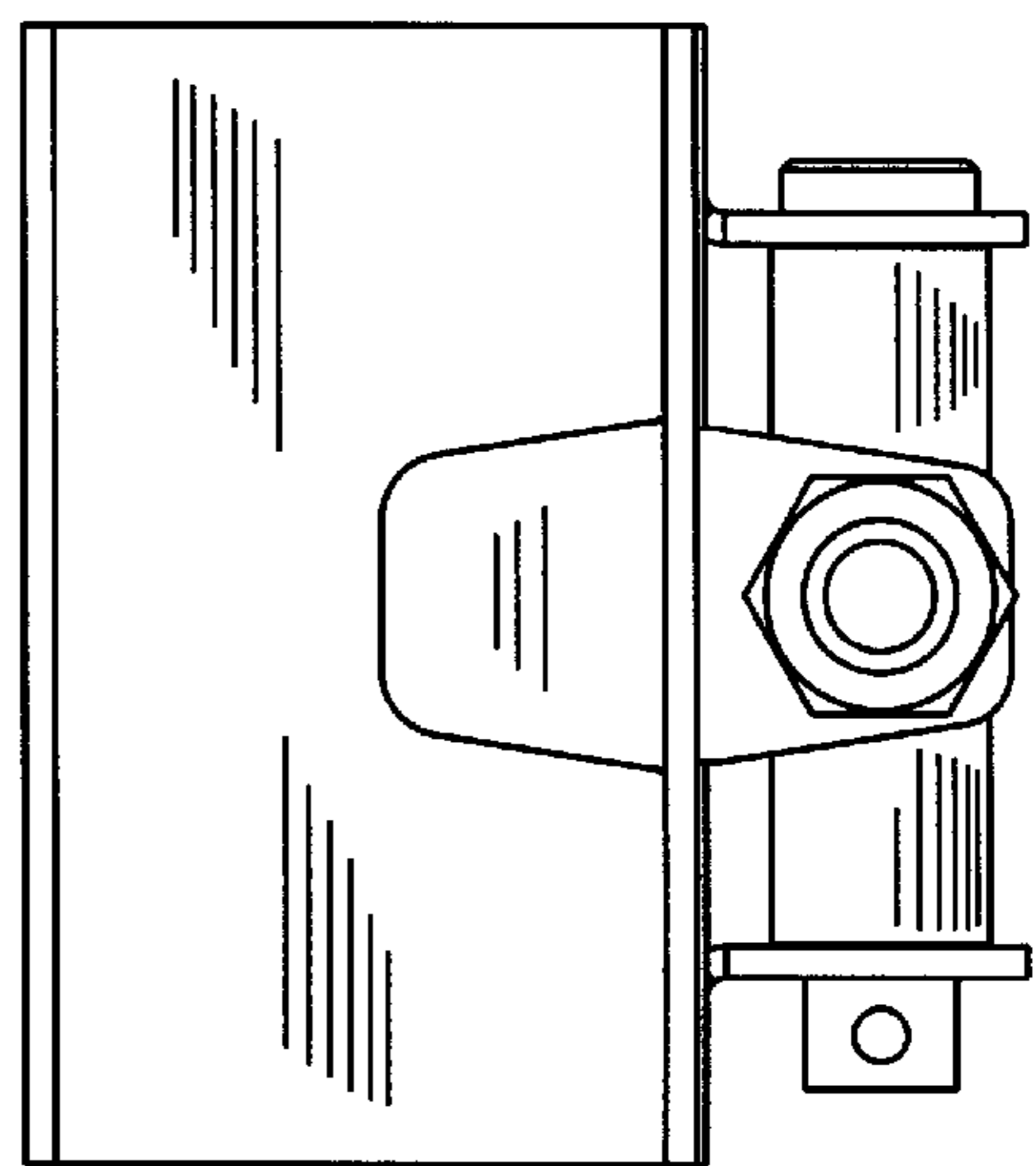


FIG. 3

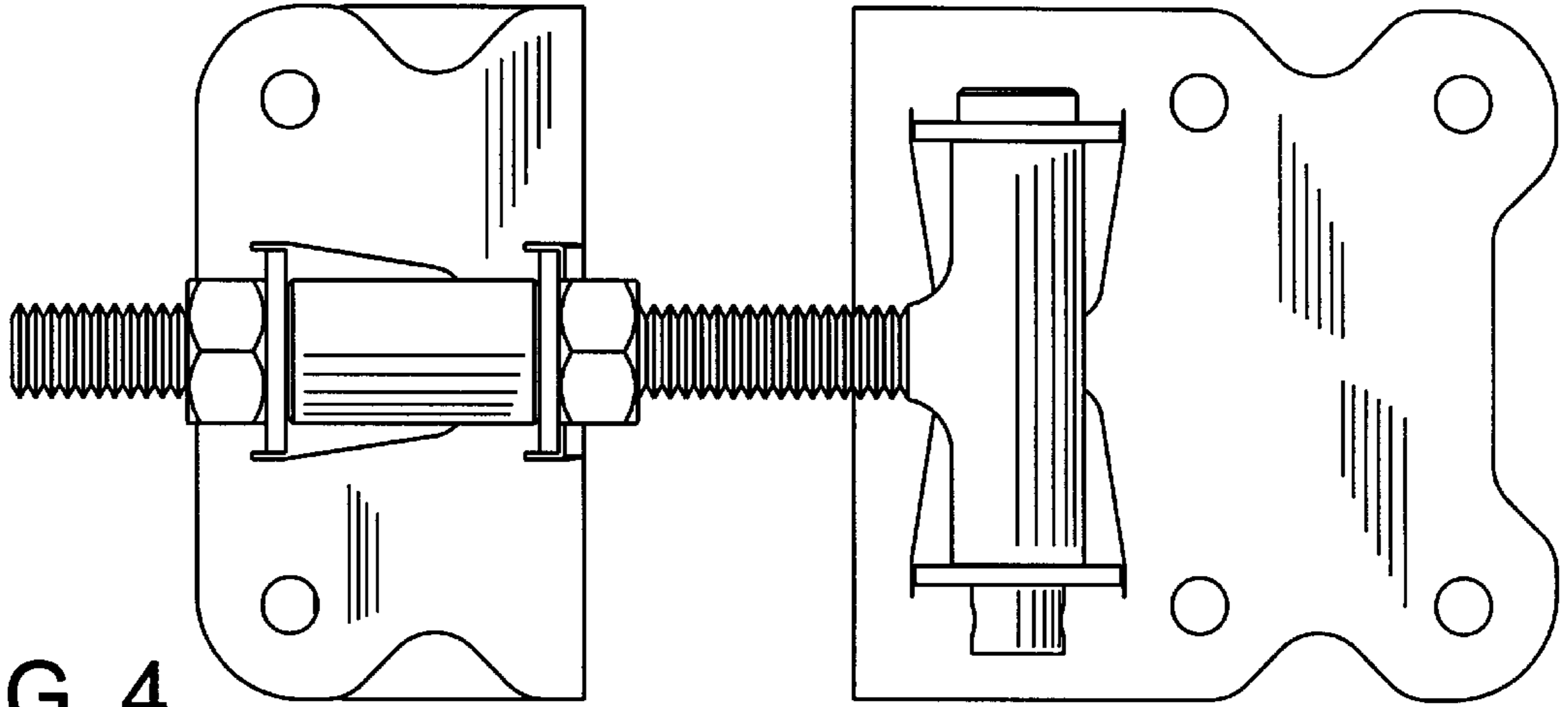


FIG. 4

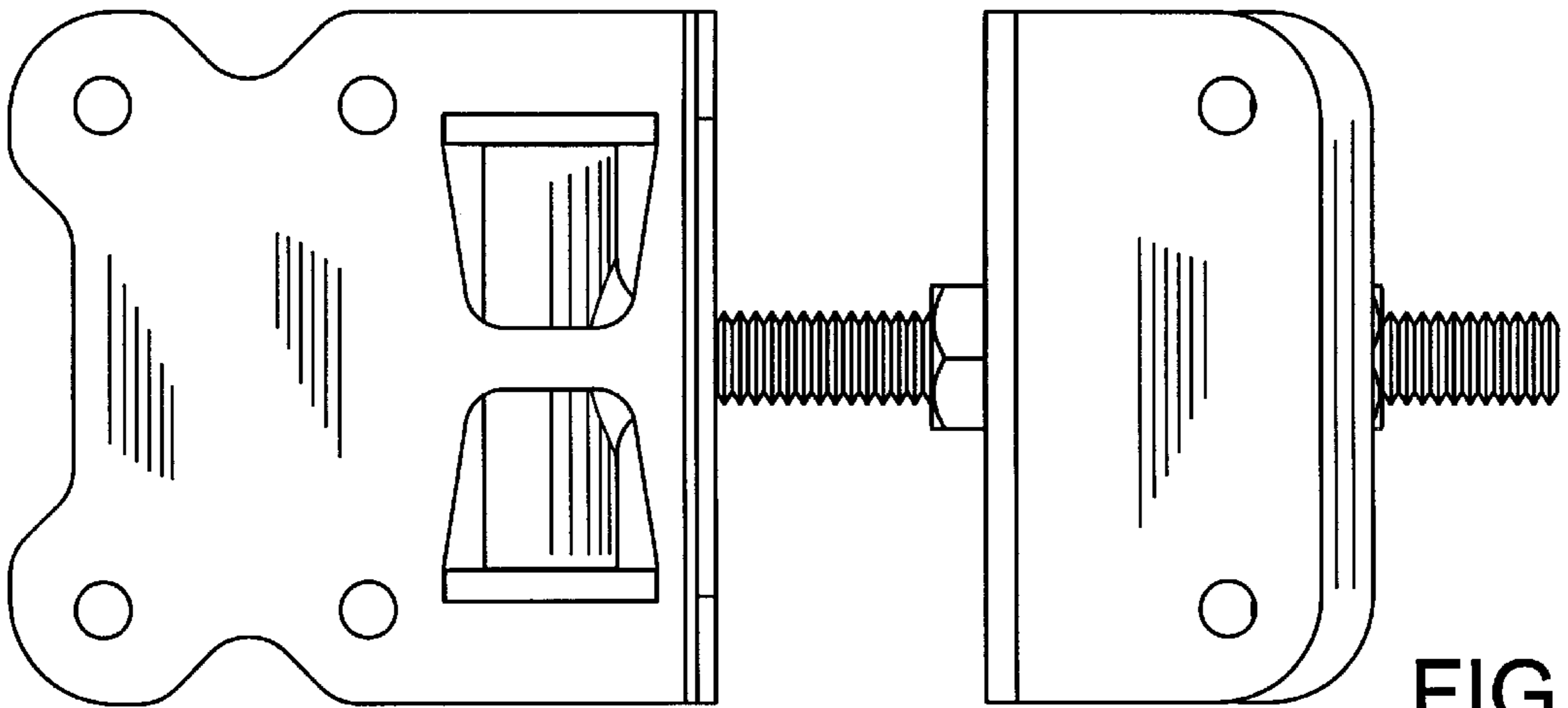


FIG. 5

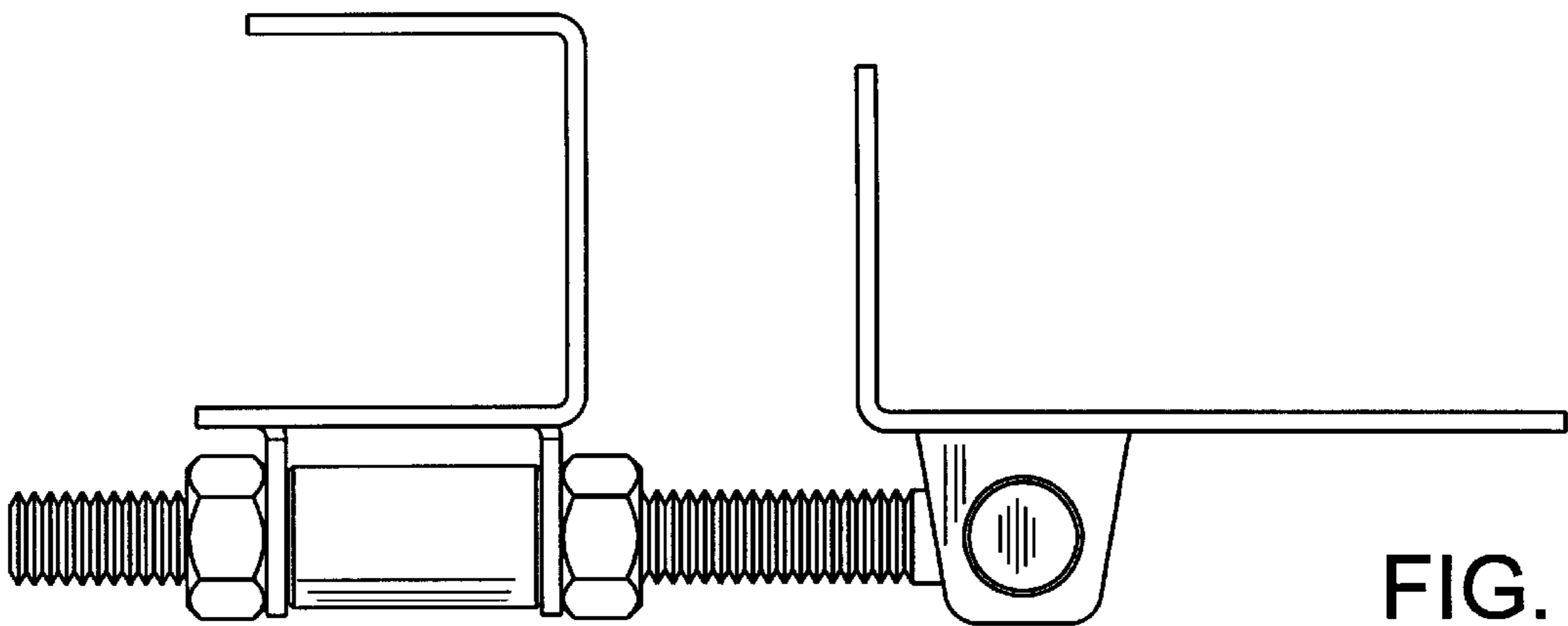


FIG. 6

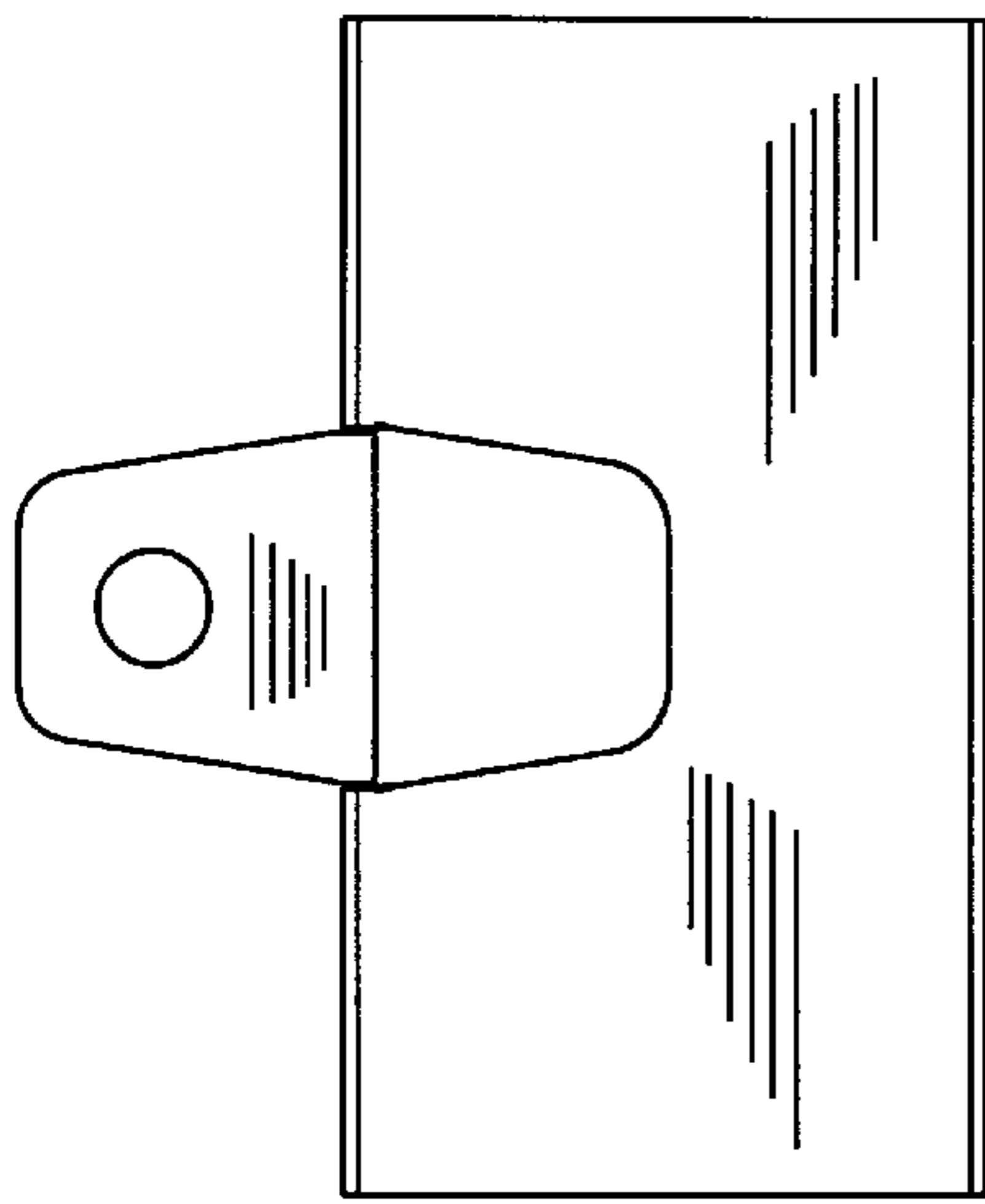


FIG. 7

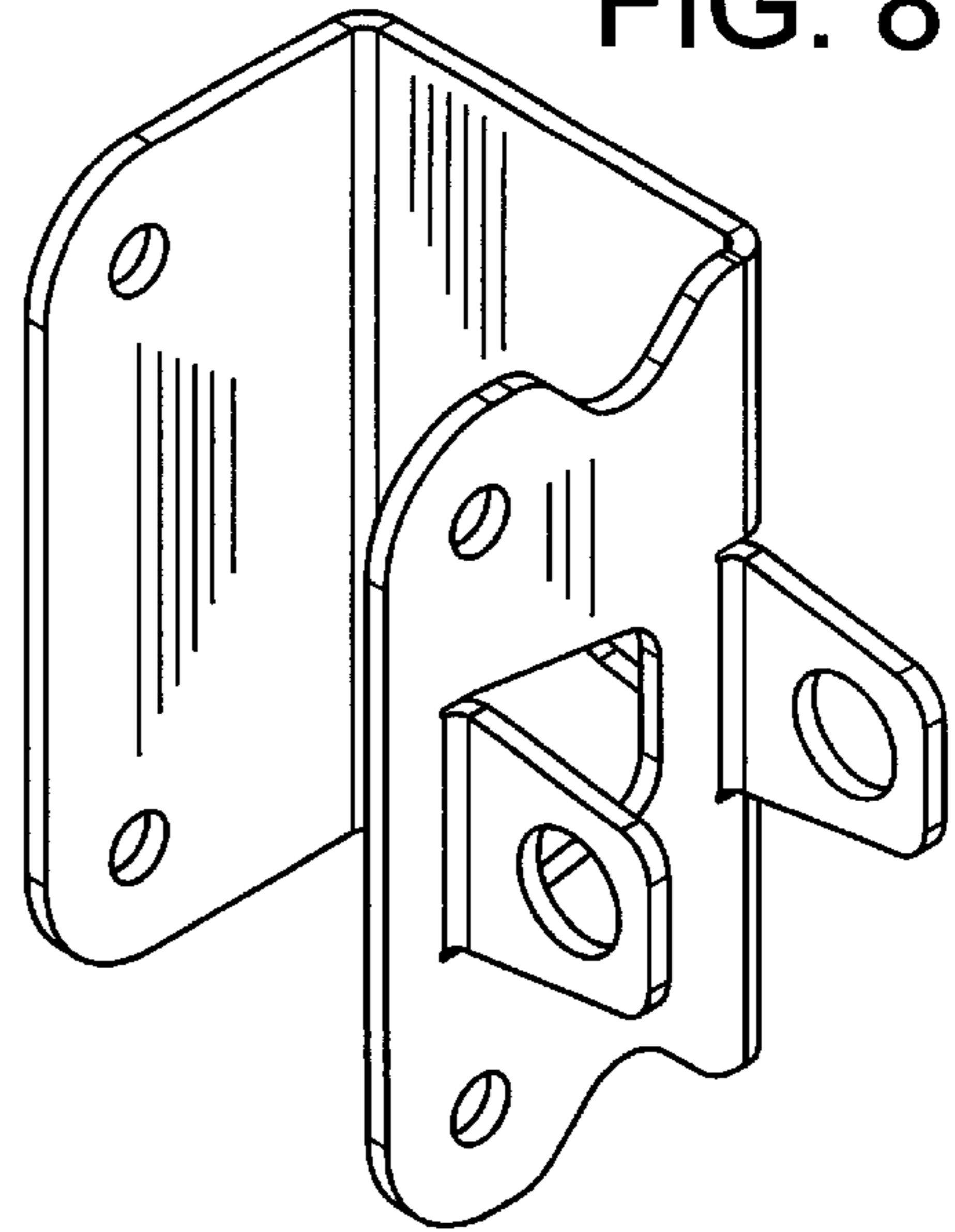


FIG. 8

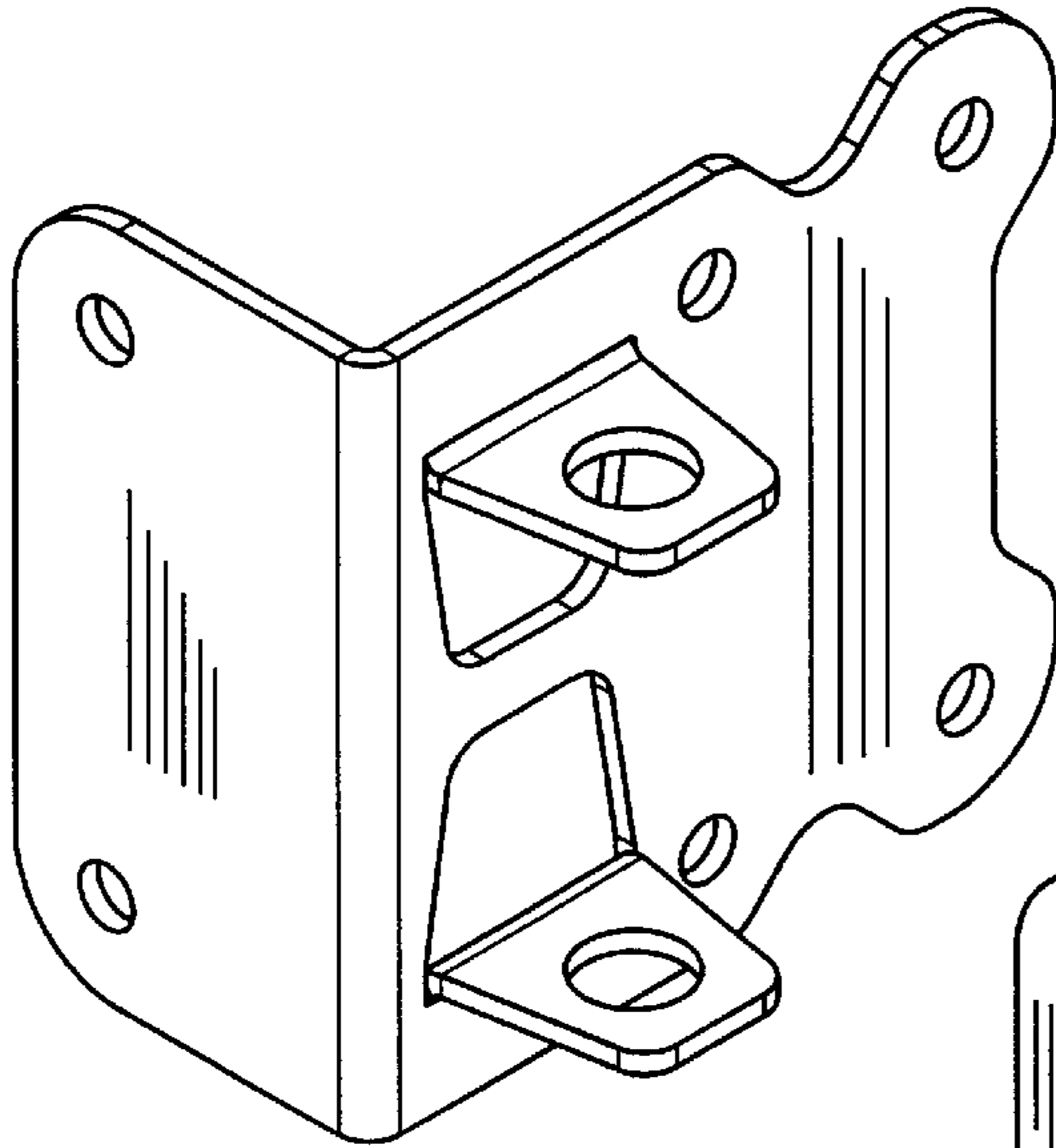


FIG. 10

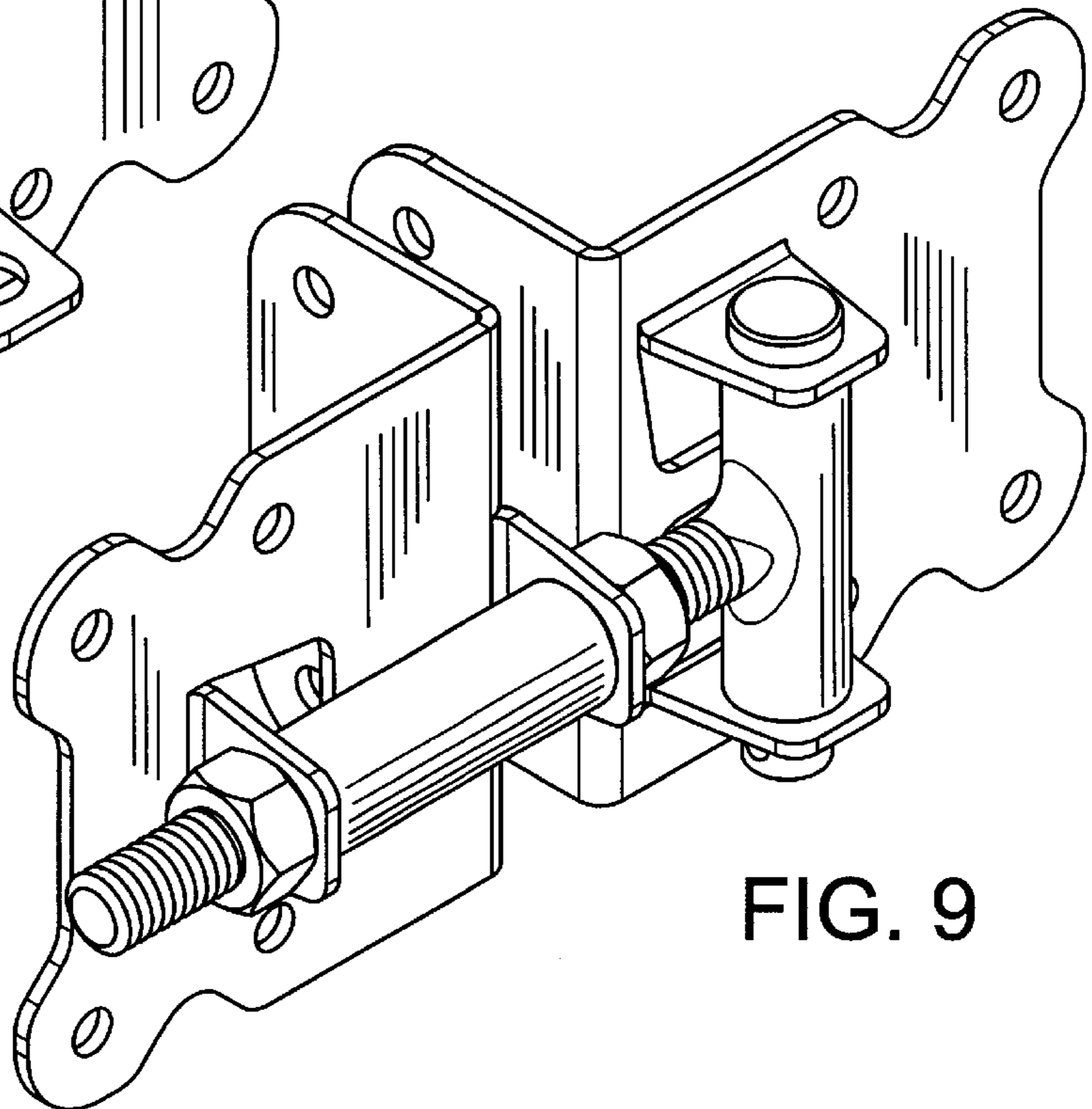


FIG. 9

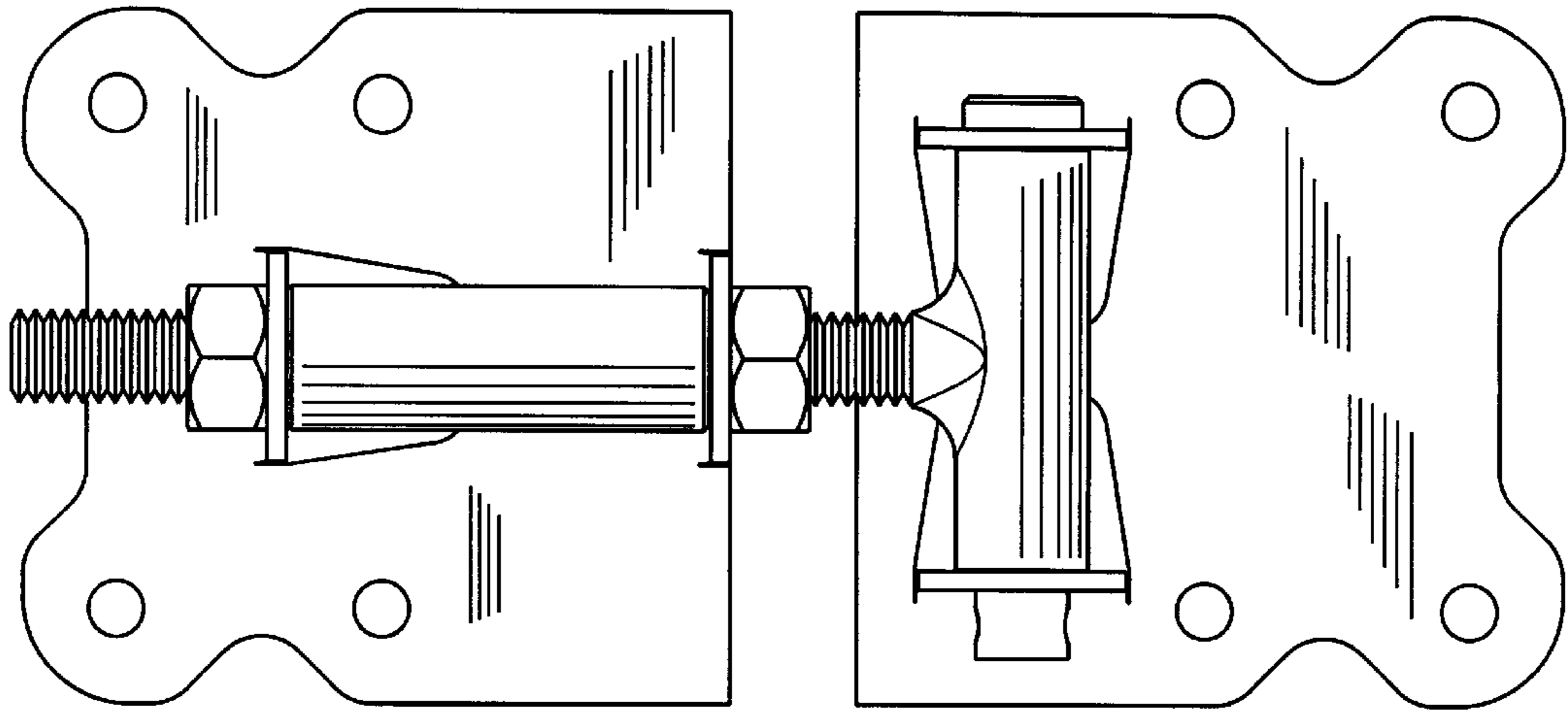


FIG. 11

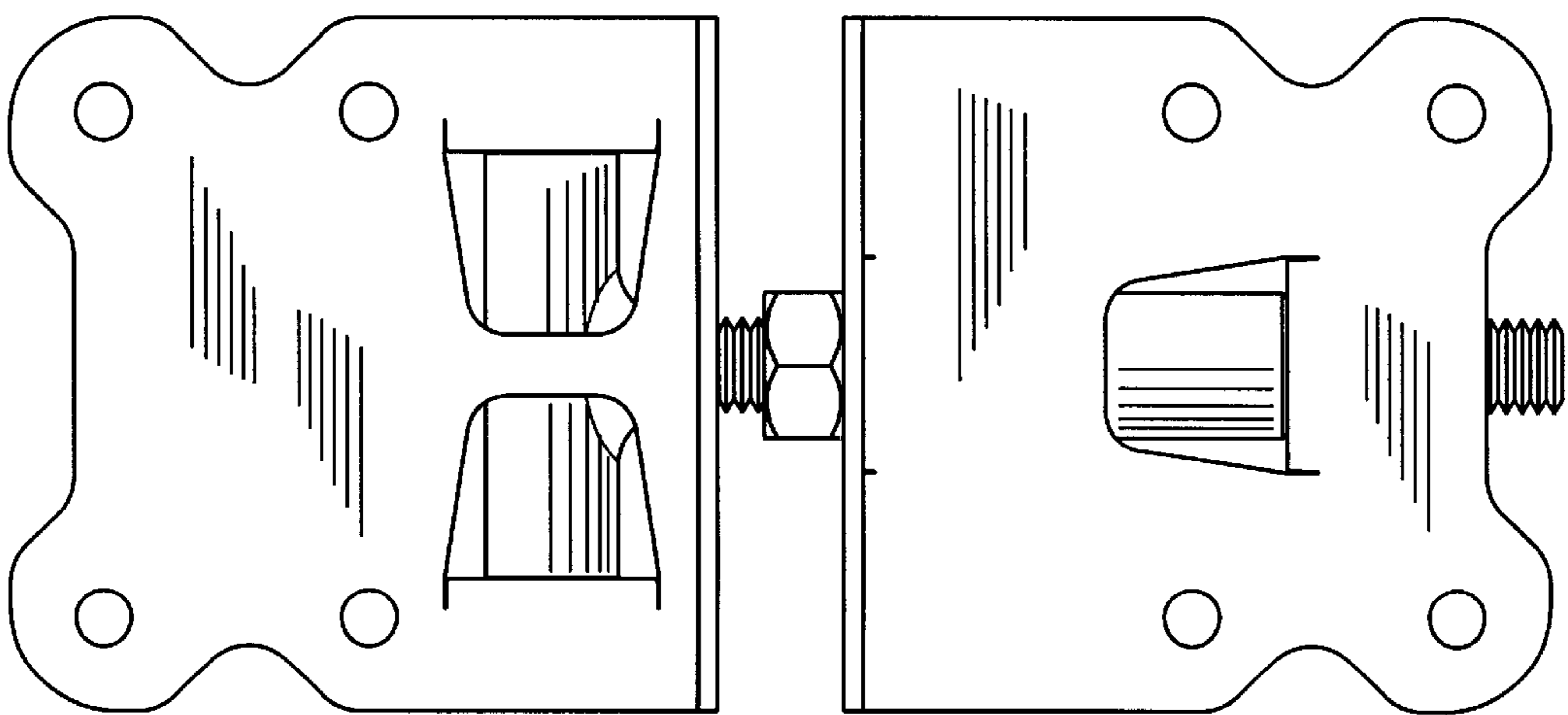


FIG. 12

FIG. 13

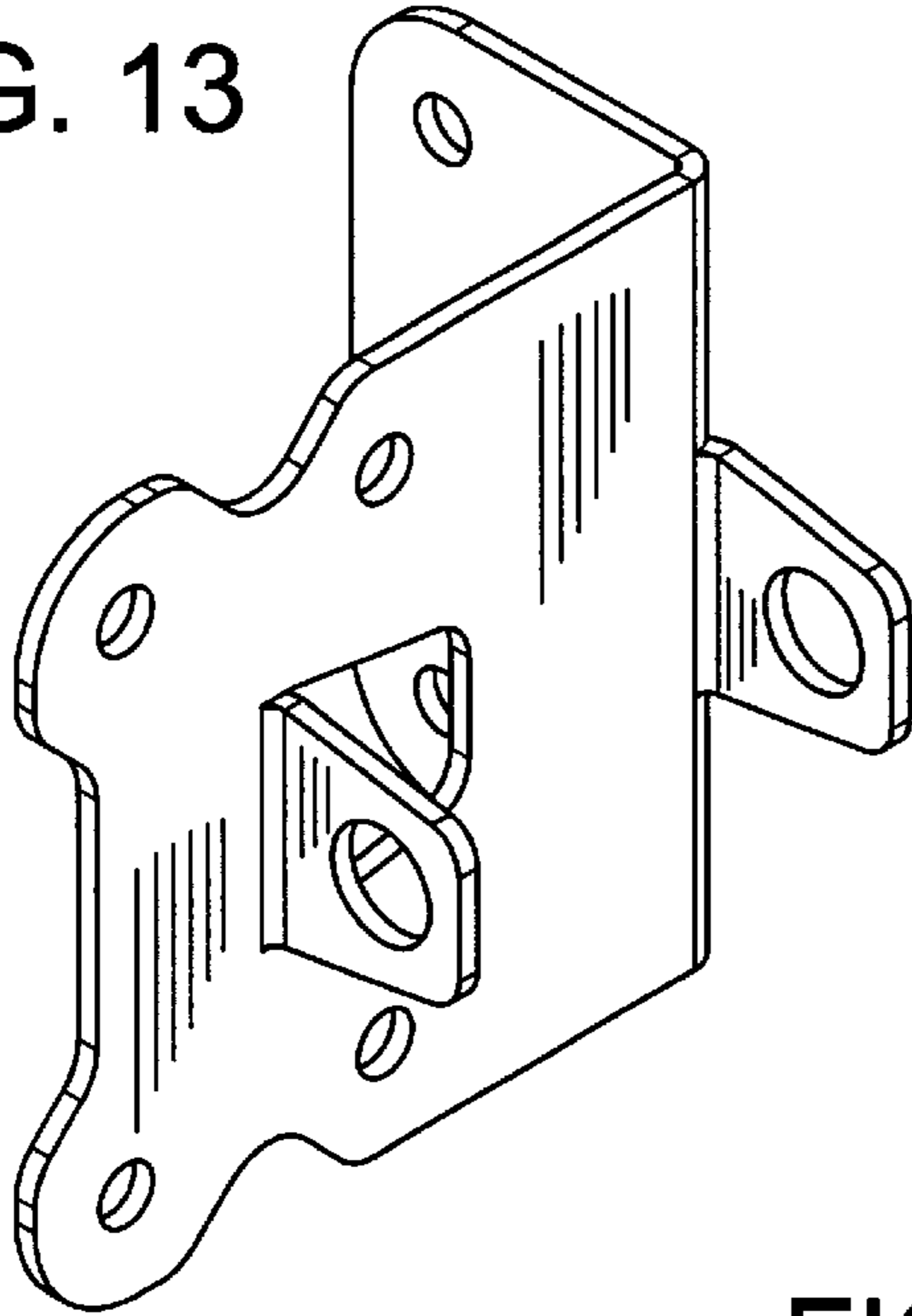


FIG. 14

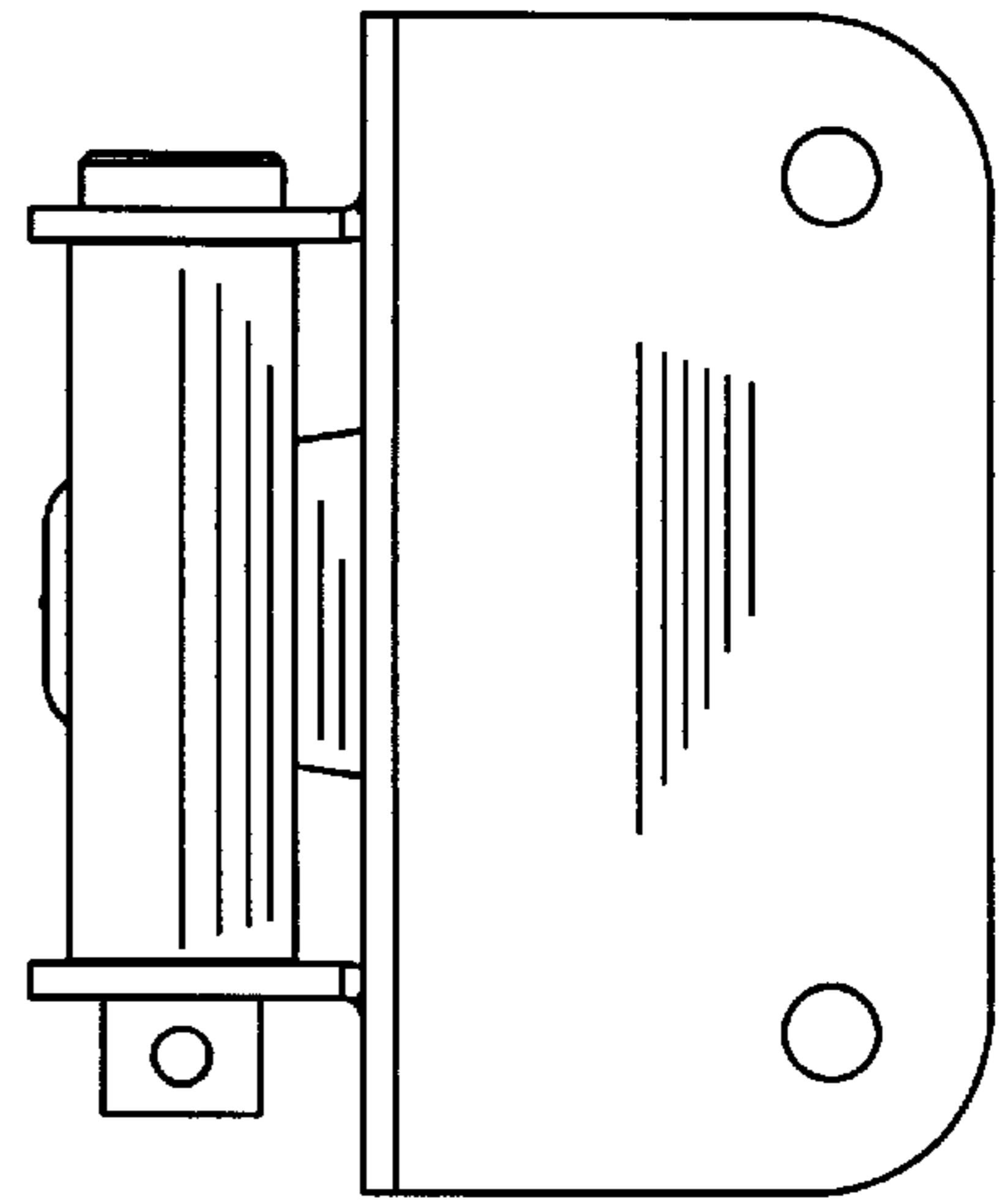


FIG. 15

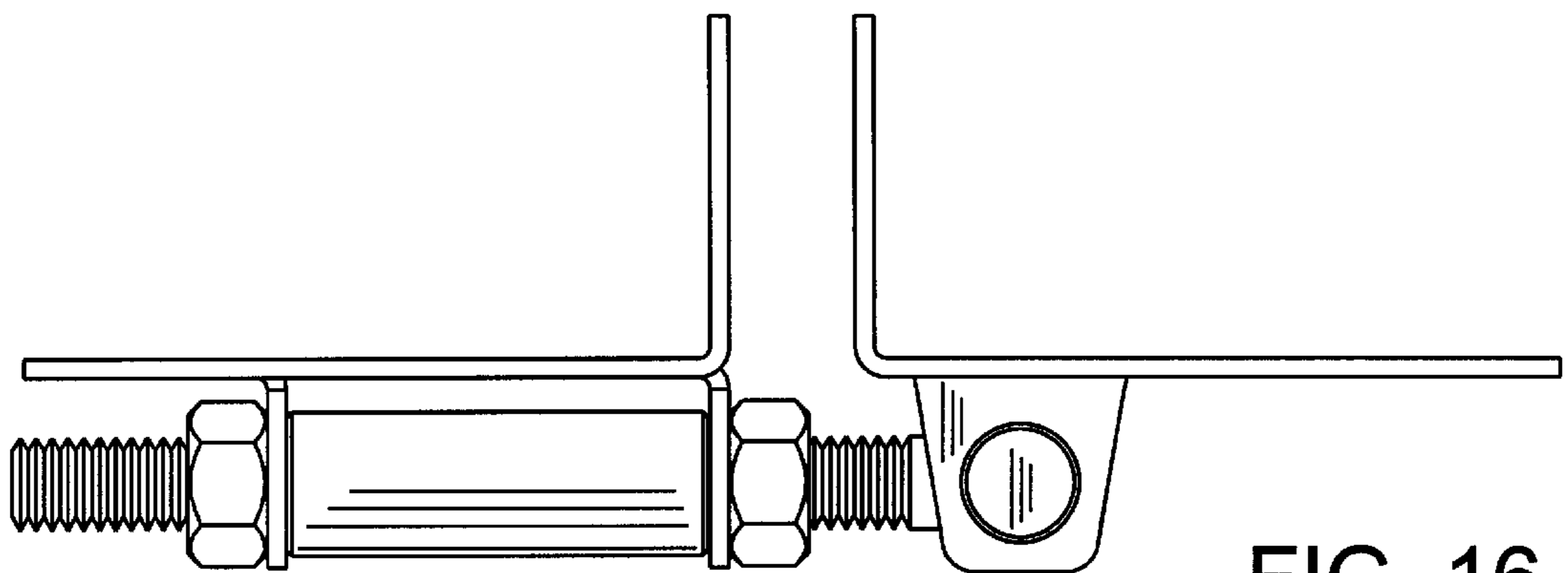
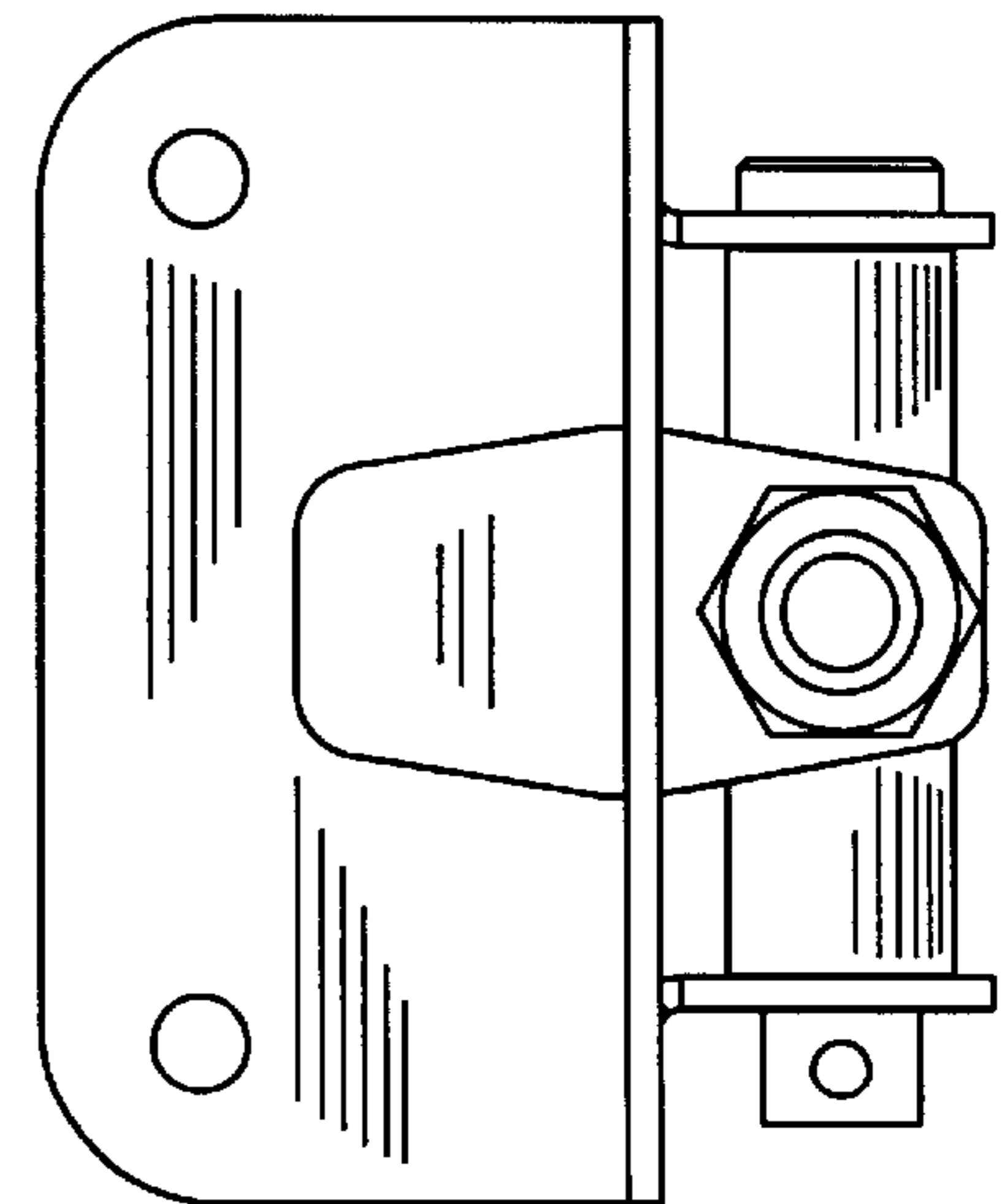


FIG. 16