



US00D443189S

(12) **United States Design Patent**
Li-Chen

(10) **Patent No.:** **US D443,189 S**

(45) **Date of Patent:** **** Jun. 5, 2001**

(54) **WRENCH**

6,145,414 * 11/2000 Hsieh 81/119

(76) Inventor: **Ju-Pi Li-Chen**, No. 21, Guan-Chien St., Lu-Gang Chen, Chang-Hua Hsien (TW)

* cited by examiner

Primary Examiner—Raphael Barkai
(74) *Attorney, Agent, or Firm*—Charles E. Baxley

(**) Term: **14 Years**

(57) **CLAIM**

(21) Appl. No.: **29/123,528**

The ornamental design for a wrench, as shown and described.

(22) Filed: **May 19, 2000**

(51) **LOC (7) Cl.** **08-05**

(52) **U.S. Cl.** **D8/28**

(58) **Field of Search** D8/17, 21-29;
81/119, 125.1, 124.7, 124.3, 186

DESCRIPTION

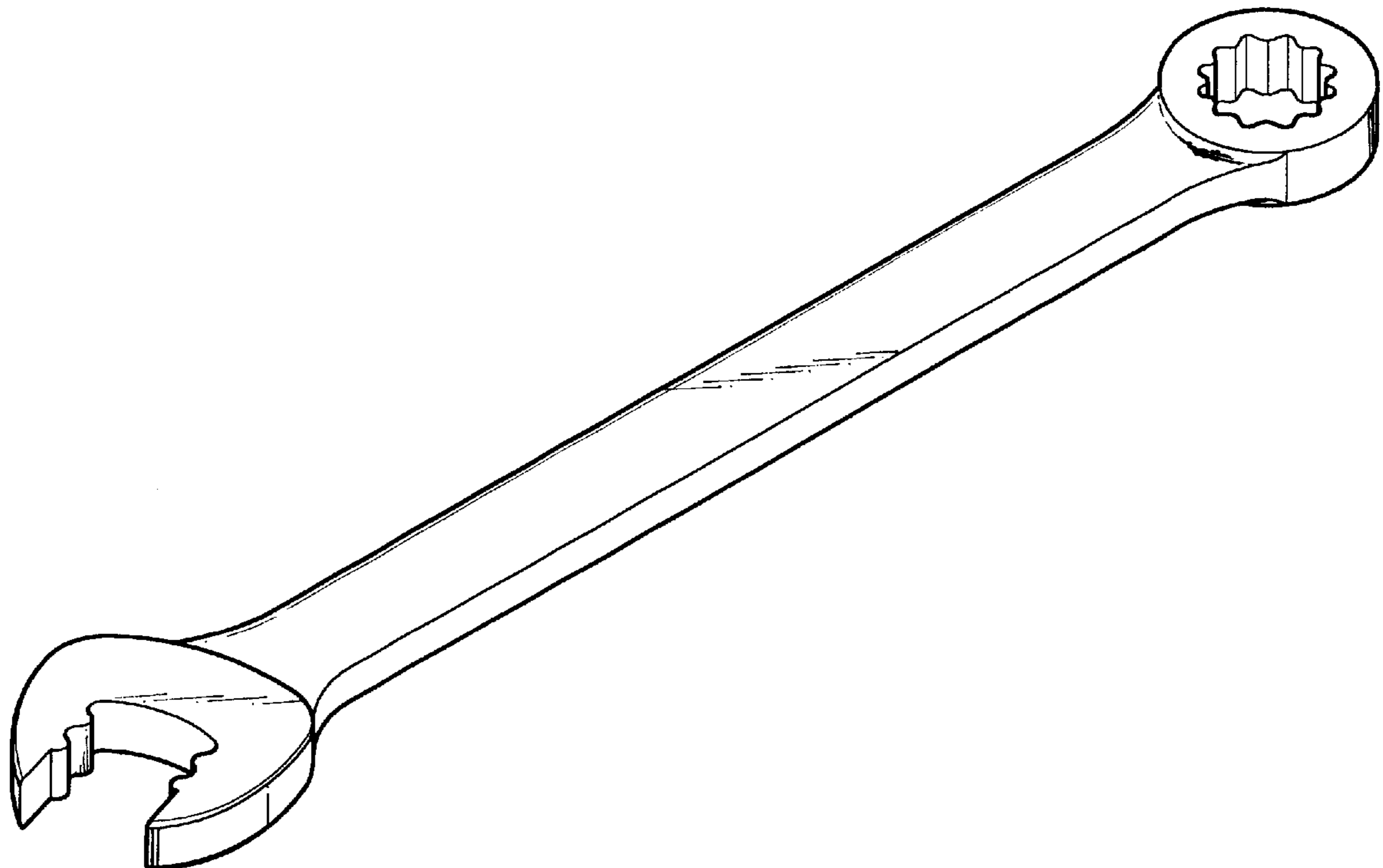
(56) **References Cited**

U.S. PATENT DOCUMENTS

- D. 357,618 * 4/1995 Macor D8/28
- D. 409,061 * 5/1999 Hsieh D8/28
- 5,074,171 * 12/1991 Annis et al. 81/119
- 5,953,968 * 9/1999 Macor 81/124.7

FIG. 1 is a perspective view of a wrench showing my new design;
FIG. 2 is a front elevational view thereof;
FIG. 3 is a rear elevational view thereof;
FIG. 4 is a left side elevational view thereof;
FIG. 5 is a right side elevational view thereof; and,
FIG. 6 is a top plan view thereof; the bottom plan view being a mirror image of that shown.

1 Claim, 4 Drawing Sheets



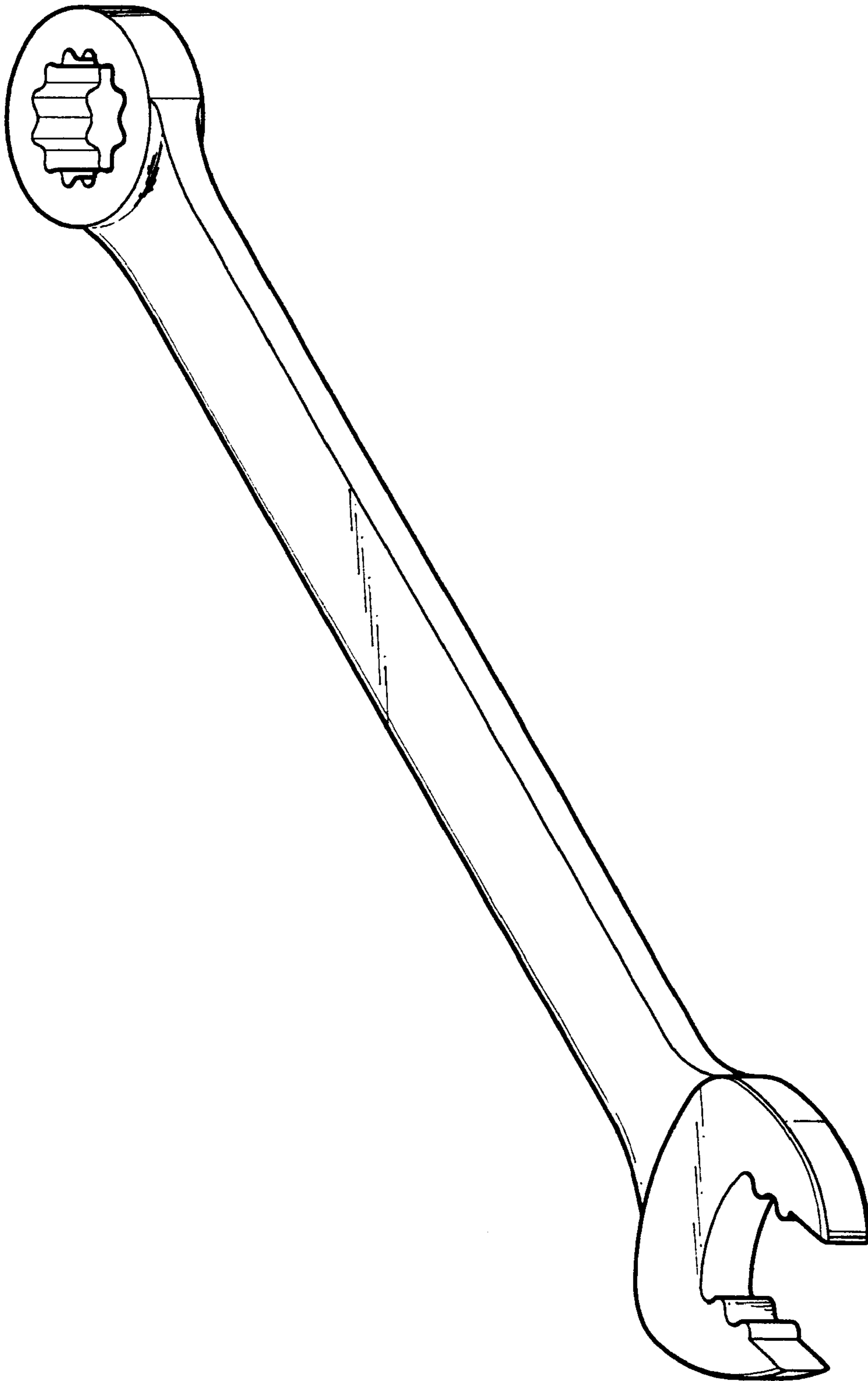


FIG. 1

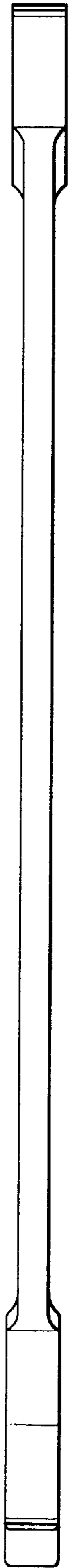


FIG. 2



FIG. 3



FIG. 4



FIG. 5

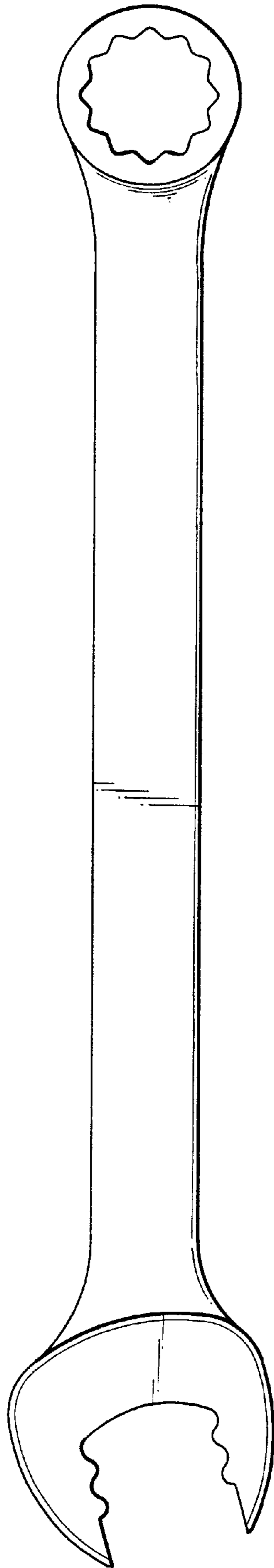


FIG. 6