



US00D443187S

(12) **United States Design Patent**  
**Wright**

(10) **Patent No.:** **US D443,187 S**

(45) **Date of Patent:** **\*\* Jun. 5, 2001**

(54) **ROLLING PIN**

(75) Inventor: **Sabrena Wright**, Bellevue, WA (US)

(73) Assignee: **Progressive International Corp.**, Kent, WA (US)

(\*\*) Term: **14 Years**

(21) Appl. No.: **29/121,557**

(22) Filed: **Apr. 7, 2000**

(51) **LOC (7) Cl.** ..... **07-04**

(52) **U.S. Cl.** ..... **D7/697**

(58) **Field of Search** ..... D7/697; 492/13,  
492/14; 7/111

(56) **References Cited**

**U.S. PATENT DOCUMENTS**

D. 240,288	*	6/1976	Wright	.....	D7/697	X
781,812	*	2/1905	Deiter	.....	7/111	
1,561,203	*	11/1925	Anderson	.....	492/14	
3,994,652	*	11/1976	Kuzyk	.....	7/111	X

**OTHER PUBLICATIONS**

Wms-Sonoma Catalog, p. 97, rolling pin, Aug. 1997.\*

Chef's Catalog, p. 73, rolling #7262, Jun. 1997.\*

Chef's Catalog, p. 51, rolling pin # 0427, Oct. 1994.\*

\* cited by examiner

*Primary Examiner*—Terry A. Wallace

(74) *Attorney, Agent, or Firm*—John R. Benefiel

(57) **CLAIM**

The ornamental design for a rolling pin, as shown and described.

**DESCRIPTION**

FIG. 1 is a perspective view of a rolling pin according to the present invention.

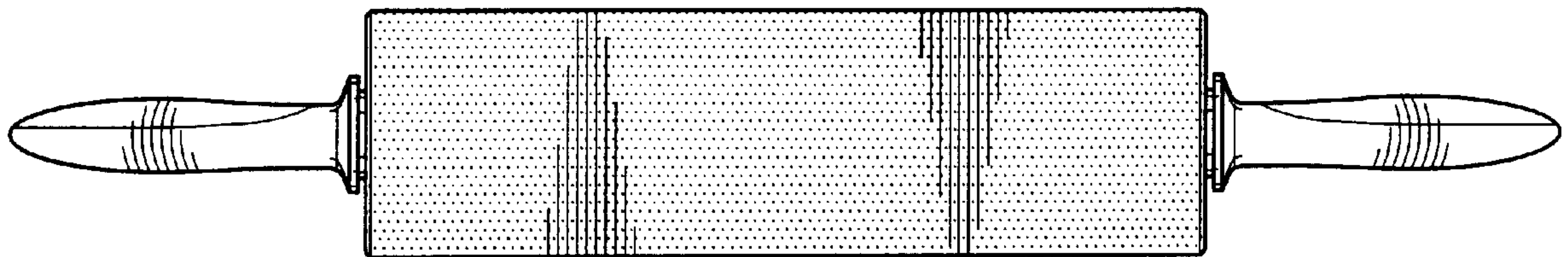
FIG. 2 is a front view of the rolling pin of FIG. 1.

FIG. 3 is a bottom view of the rolling pin shown in FIG. 1.

FIG. 4 is a top view of the rolling pin shown in FIGS. 1-3; and,

FIG. 5 is an end view of the rolling pin shown in FIGS. 1-4, each end being identical.

**1 Claim, 1 Drawing Sheet**



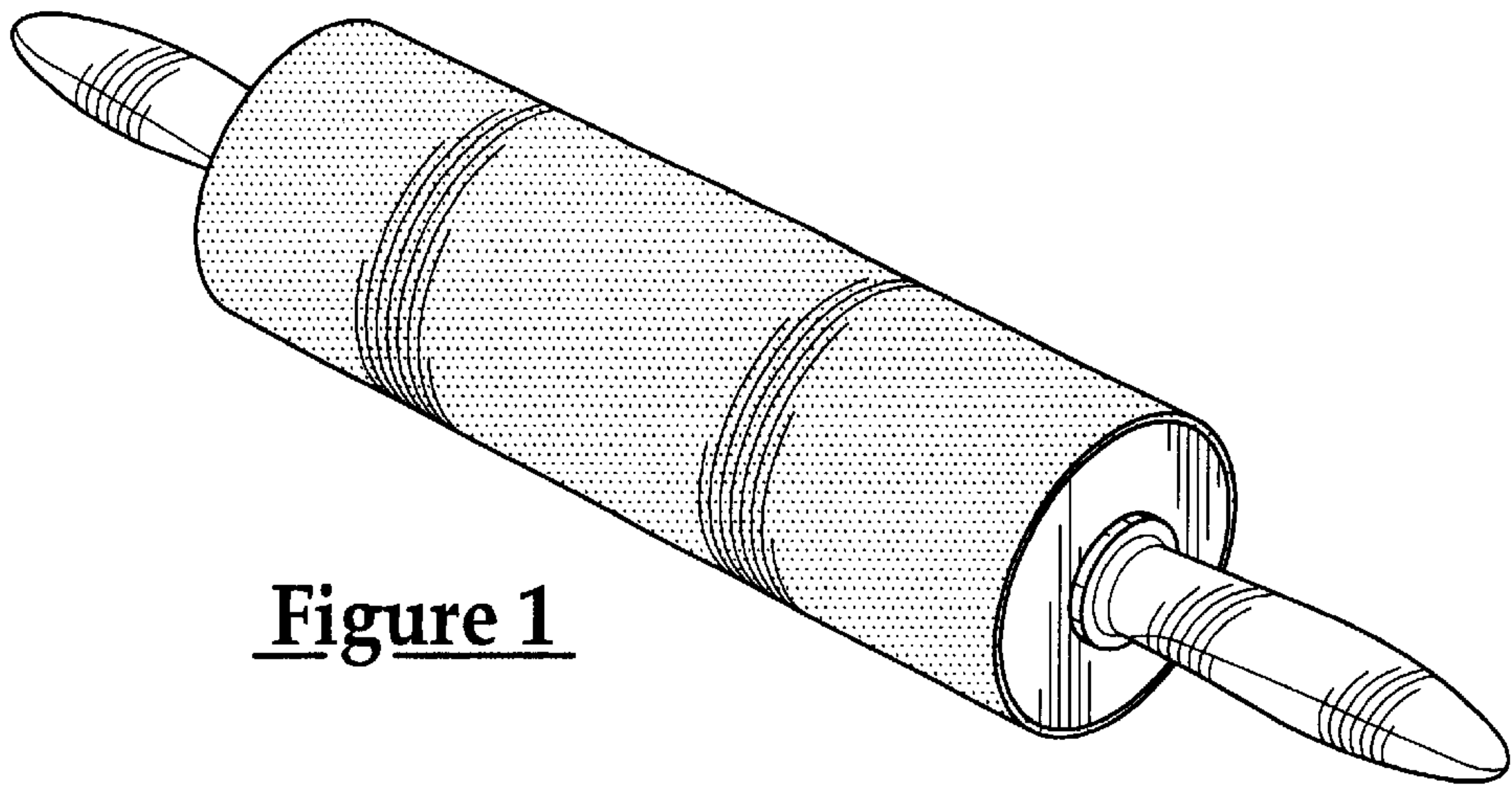


Figure 1



Figure 2

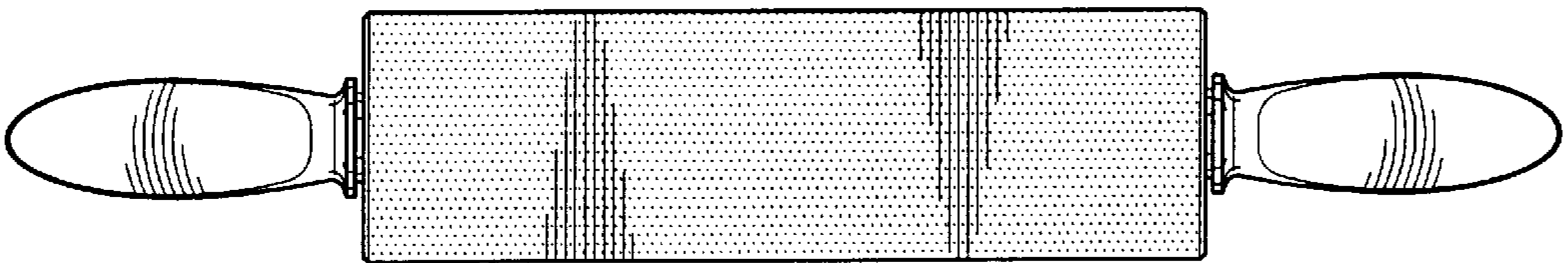


Figure 3

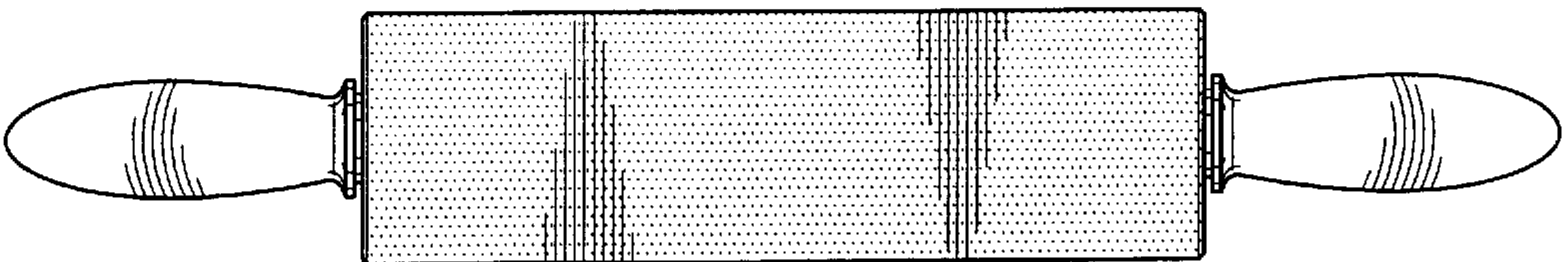


Figure 4

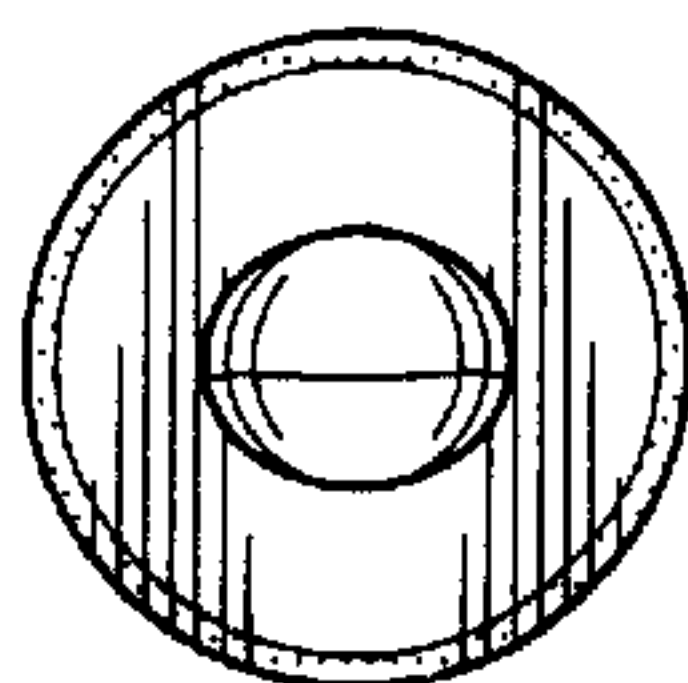


Figure 5