



US00D443184S

(12) **United States Design Patent**
Maxwell et al.

(10) **Patent No.:** **US D443,184 S**

(45) **Date of Patent:** **** Jun. 5, 2001**

(54) **CONTAINER FOR FOOD**

D. 411,741 * 6/1999 Wilson D9/425
4,787,527 * 11/1988 Monetti 220/557

(75) Inventors: **Jason Maxwell**, Elgin, IL (US); **Jim Warner**, Hoboken; **Robert Croft**, Jersey City, both of NJ (US); **Insun Yun**, New York, NY (US)

* cited by examiner

(73) Assignee: **The Glad Products Company**, Oakland, CA (US)

Primary Examiner—Terry A. Wallace
(74) *Attorney, Agent, or Firm*—Thomas C. Feix

(**) Term: **14 Years**

(57) **CLAIM**

The ornamental design for a container for food, as shown and described.

(21) Appl. No.: **29/129,905**

(22) Filed: **Sep. 25, 2000**

DESCRIPTION

(51) **LOC (7) Cl.** **07-01**

(52) **U.S. Cl.** **D7/629**

(58) **Field of Search** D7/602, 629, 538-542;
D9/415, 418, 423-425, 432; 220/281, 662,
675, 780-783, 792-794, 796-799, 805,
557, 801

FIG. 1 is a top perspective view of a container for food showing our new design;

FIG. 2 is a top plan view thereof;

FIG. 3 is a right side elevational view thereof;

FIG. 4 is a front elevational view thereof; and,

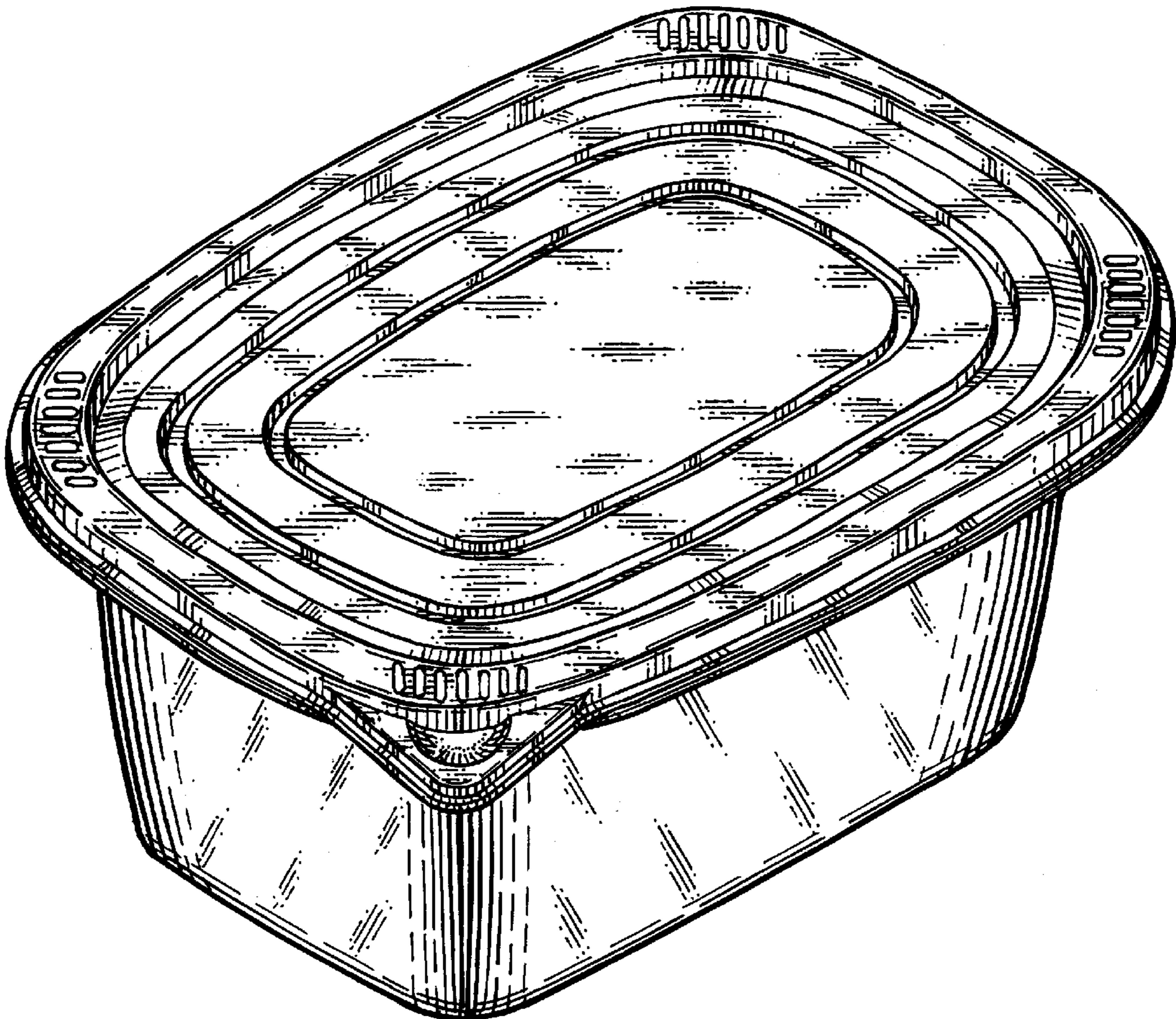
FIG. 5, is a bottom plan view thereof.

(56) **References Cited**

U.S. PATENT DOCUMENTS

D. 351,090 * 10/1994 Narsutis D7/629

1 Claim, 2 Drawing Sheets



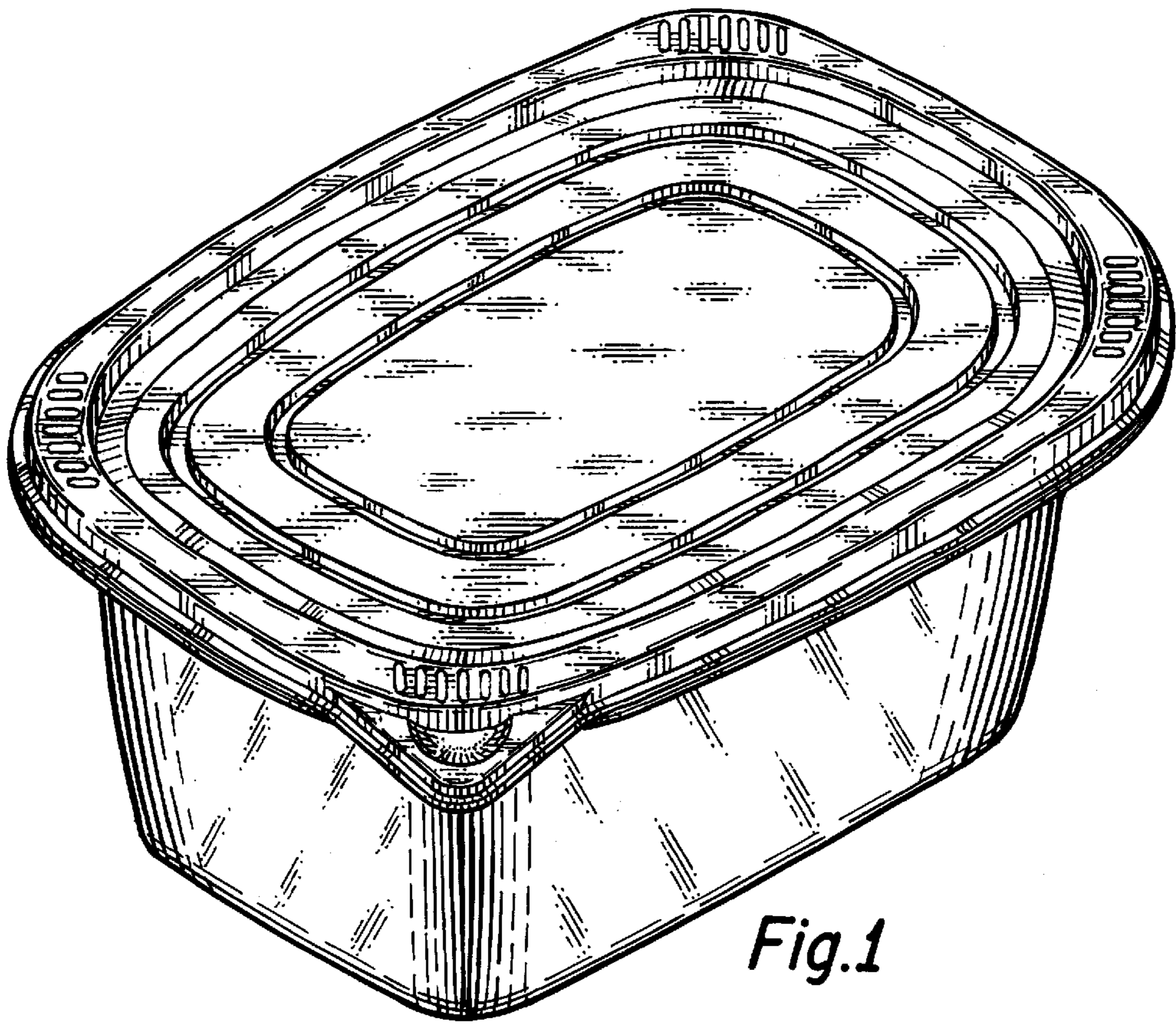


Fig.1

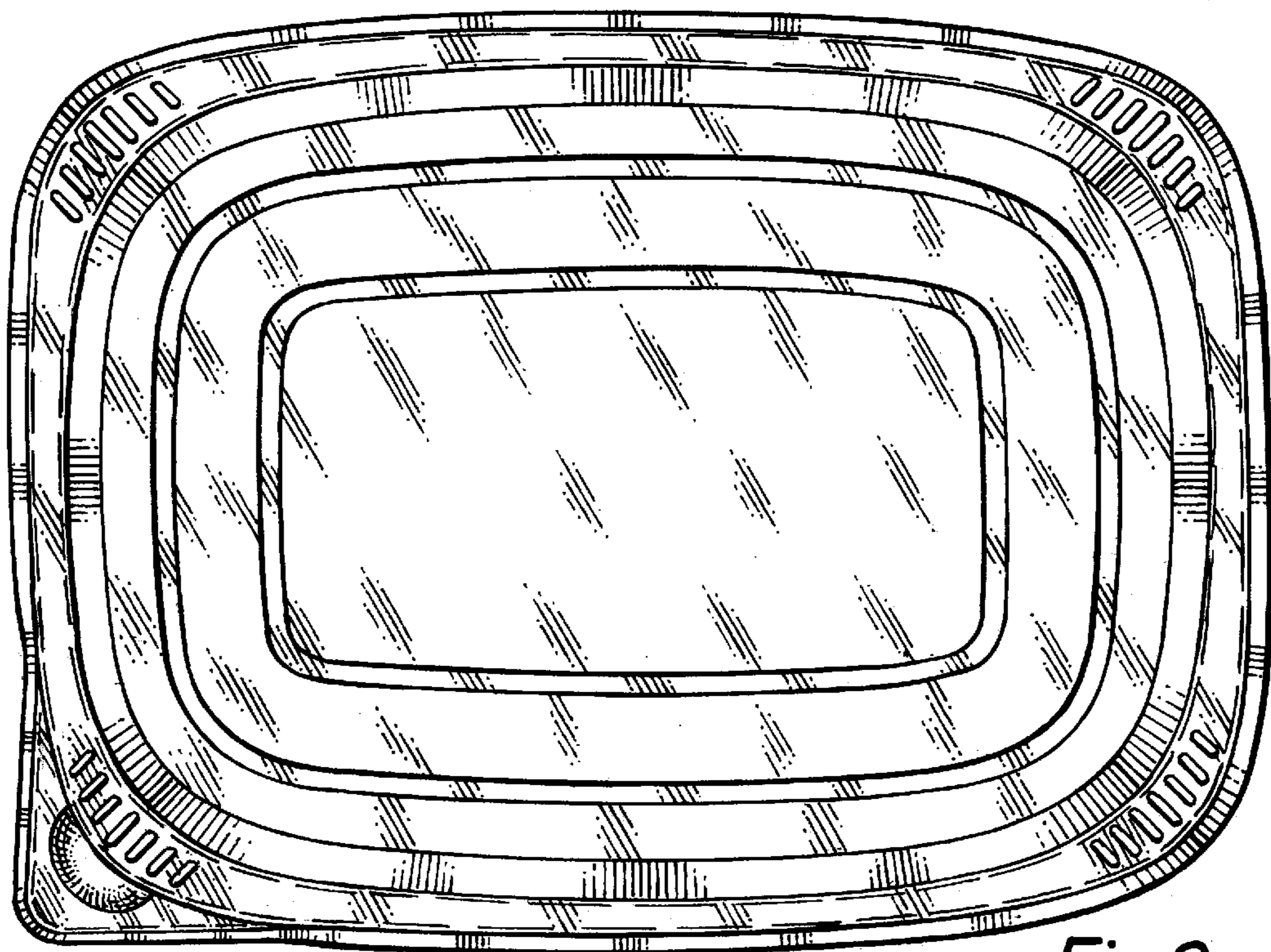


Fig.2

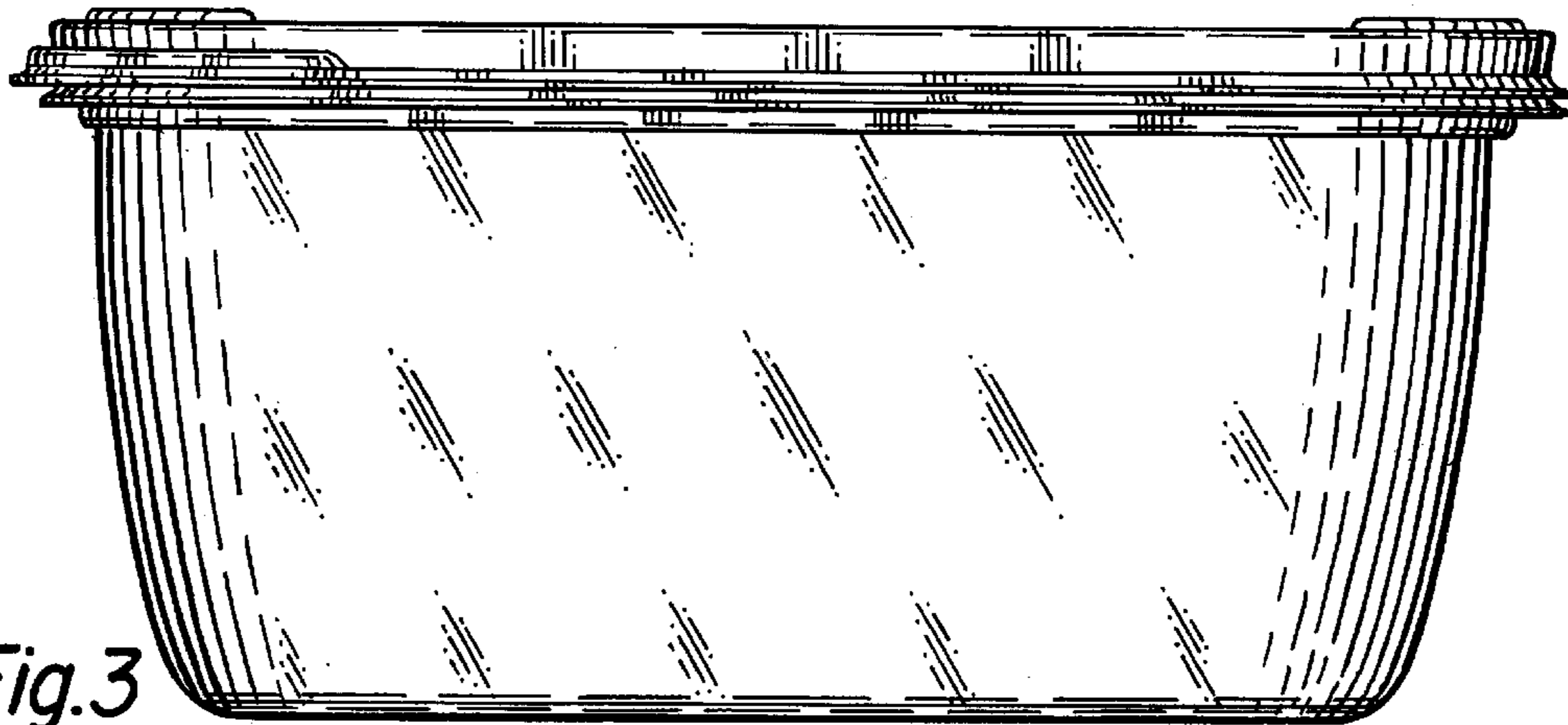


Fig.3

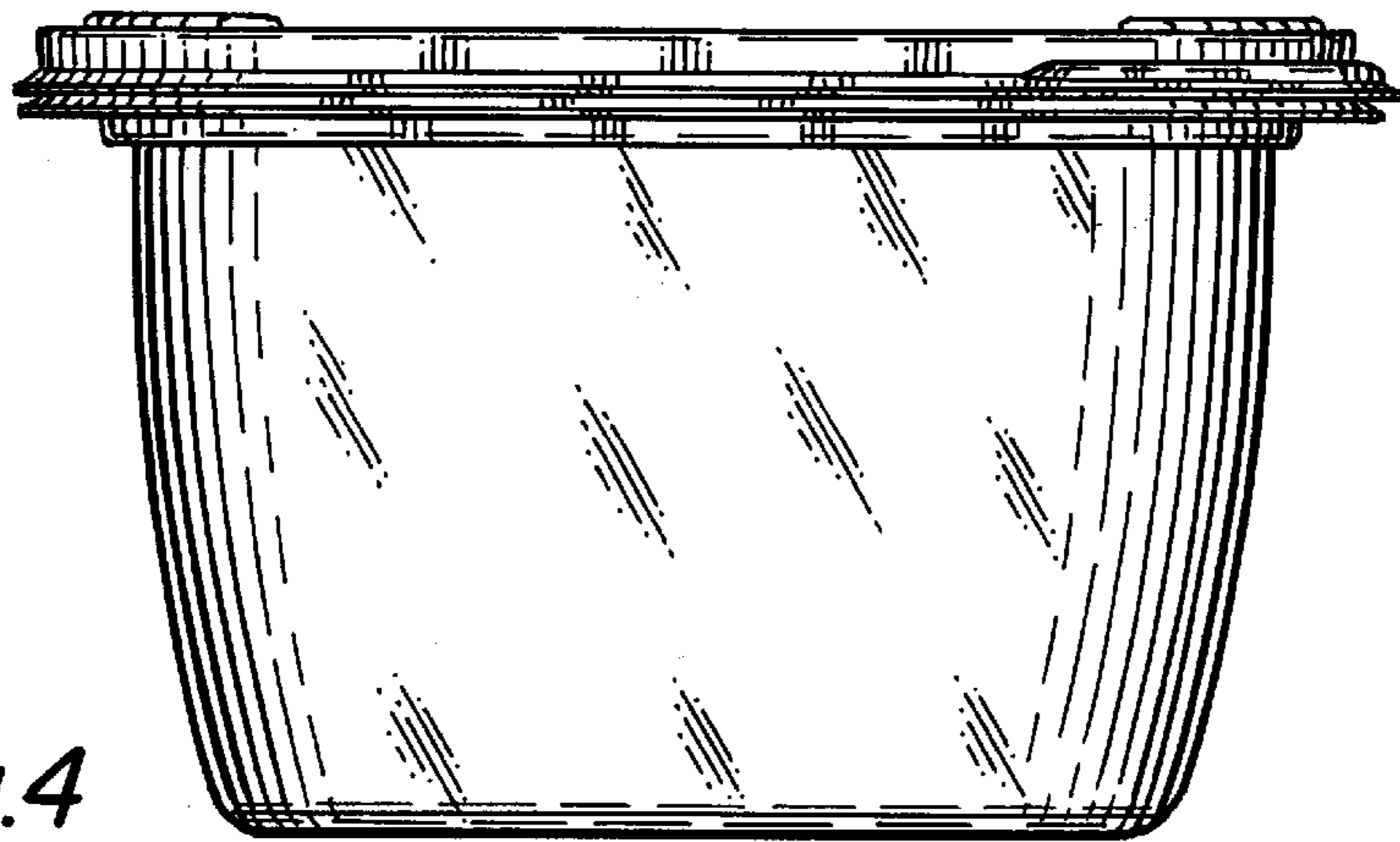


Fig.4

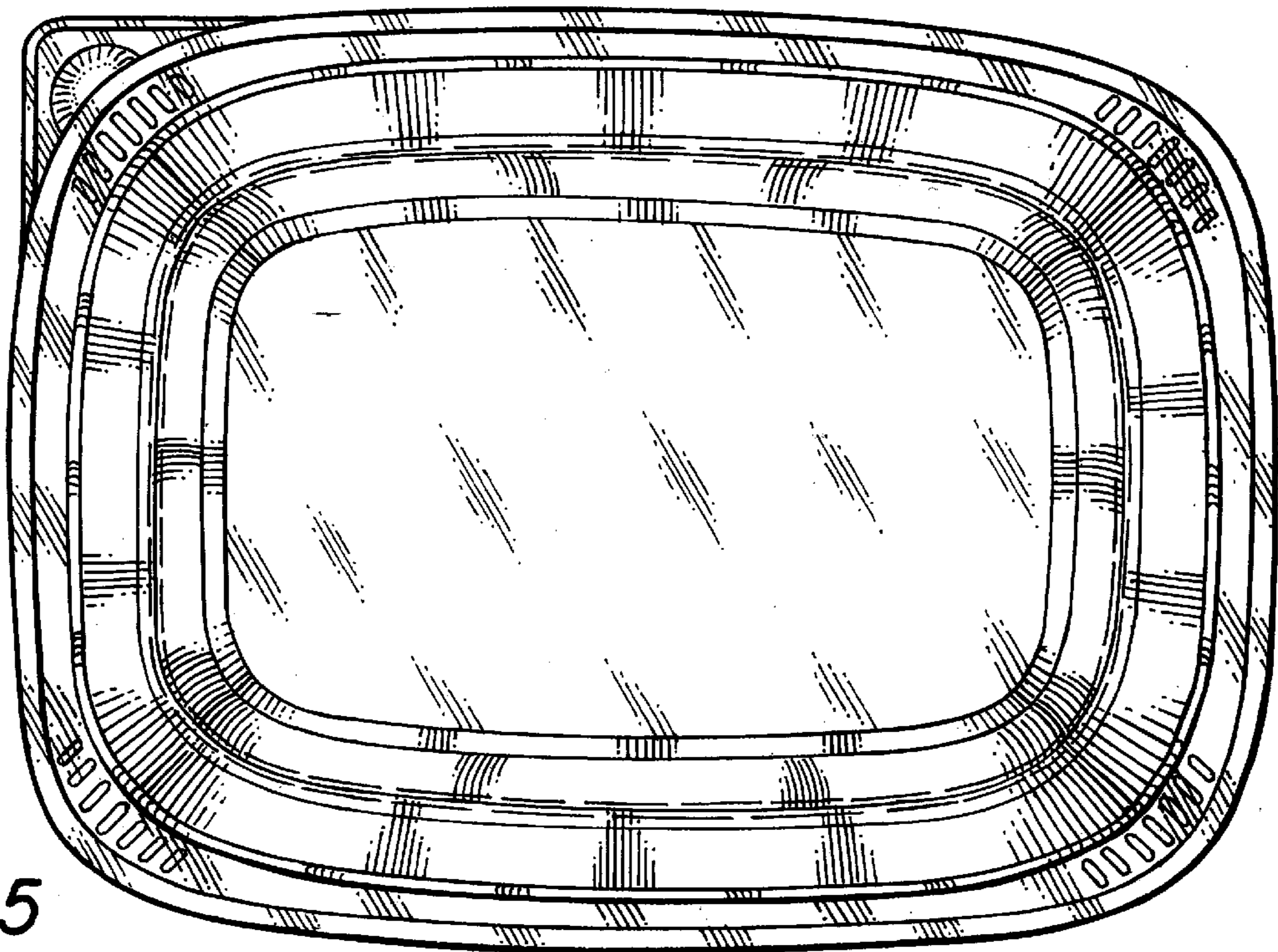


Fig.5