



US00D443178S

(12) **United States Design Patent**
Segers

(10) **Patent No.:** **US D443,178 S**

(45) **Date of Patent:** **** Jun. 5, 2001**

(54) **OVEN FACE**

(75) Inventor: **Hermann-Reinhard Segers, München (DE)**

(73) Assignee: **BSH Bosch und Siemens Hausgeraete GmbH, Munich (DE)**

(**) Term: **14 Years**

(21) Appl. No.: **29/104,487**

(22) Filed: **May 6, 1999**

(30) **Foreign Application Priority Data**

Nov. 4, 1998 (DE) 4 98 10 825

(51) **LOC (7) Cl.** **07-02**

(52) **U.S. Cl.** **D7/405; D7/349**

(58) **Field of Search** **D7/339, 340, 348, D7/349, 405; 126/1 R, 190, 198, 200, 273 A, 273 R; 219/214, 443.1, 444.1, 448.11, 460.1**

(56) **References Cited**

U.S. PATENT DOCUMENTS

- D. 154,711 * 8/1949 Reynolds, Jr. D7/340
- D. 172,209 * 5/1954 Armstrong D7/340
- D. 191,893 * 12/1961 Faigy et al. D7/340
- D. 202,317 * 9/1965 Waltman D7/349
- D. 369,940 * 5/1996 Wilsdorf D7/340
- D. 369,966 * 5/1996 Decursu et al. D8/309
- 3,130,719 * 4/1964 Mayer et al. 126/200
- 3,151,612 * 10/1964 Keeling, Sr. et al. 126/200
- 5,042,458 * 8/1991 Spencer et al. D7/340 X

* cited by examiner

Primary Examiner—Robert M. Spear

(74) *Attorney, Agent, or Firm*—Herbert L. Lerner; Laurence A. Greenberg; Werner H. Stemer

(57) **CLAIM**

The ornamental design for oven face, as shown and described.

DESCRIPTION

FIG. 1 is a front perspective view of an oven face, the rear surface of the oven face is not claimed;

FIG. 2 is an enlarged front, bottom perspective view of a detail of the oven face of FIG. 1, shown broken away from the oven face for ease of disclosure.

FIG. 3 is an enlarged front, top perspective view of a detail of the oven face of FIG. 1, shown broken away from the oven face for ease of disclosure.

FIG. 4 is an enlarged perspective view of the dials of FIG. 1, shown broken away from the oven face for ease of disclosure;

FIG. 5 is an enlarged perspective view of one of the dials of FIG. 4 shown removed from the oven face for ease of disclosure; and,

FIG. 6 is a view of the dial of FIG. 5 rotated clockwise ninety degrees.

The surfaces or portions of the article not shown in the drawing or described in the specification form no part of the claimed design.

1 Claim, 6 Drawing Sheets

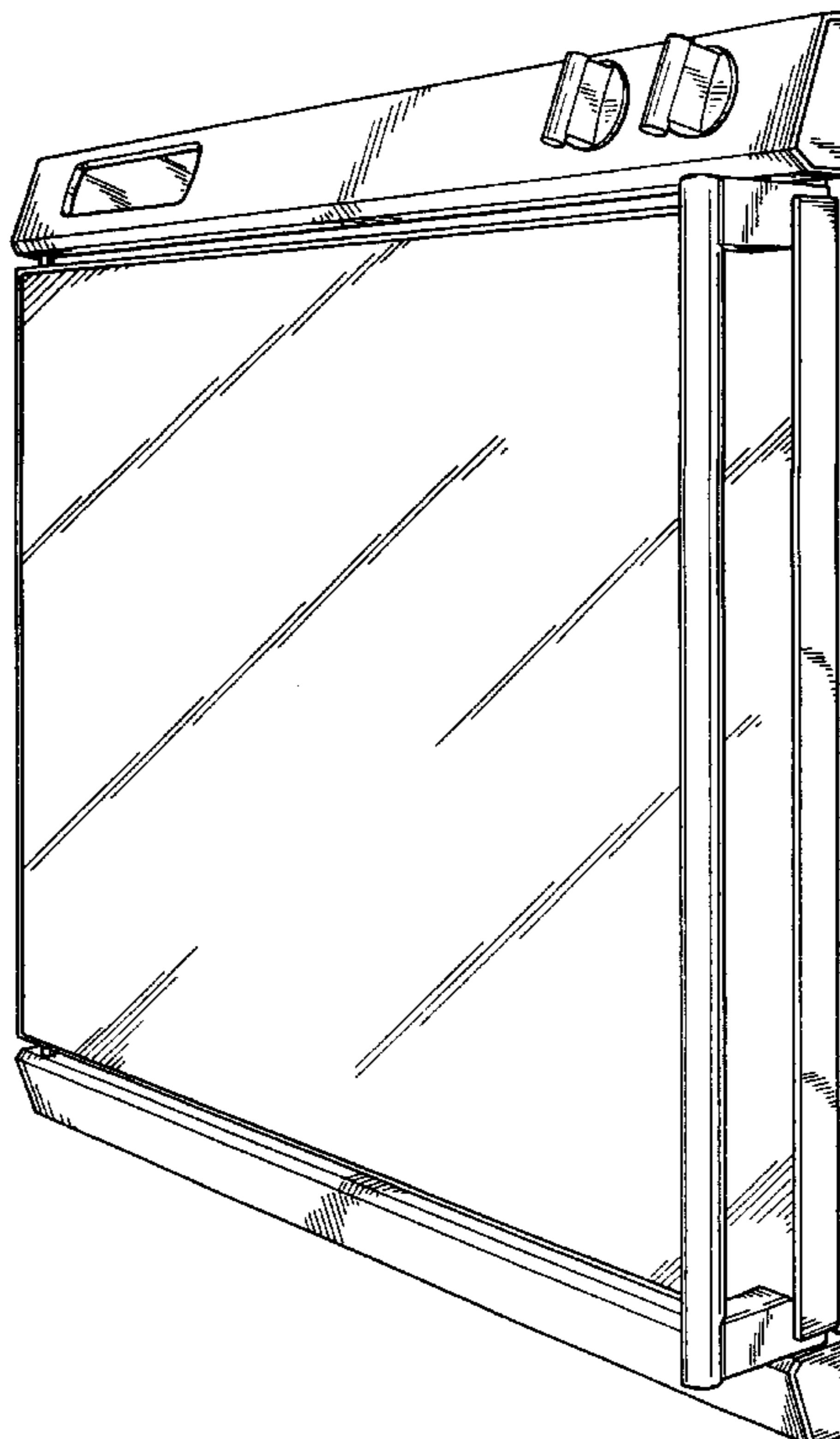


Fig. 1

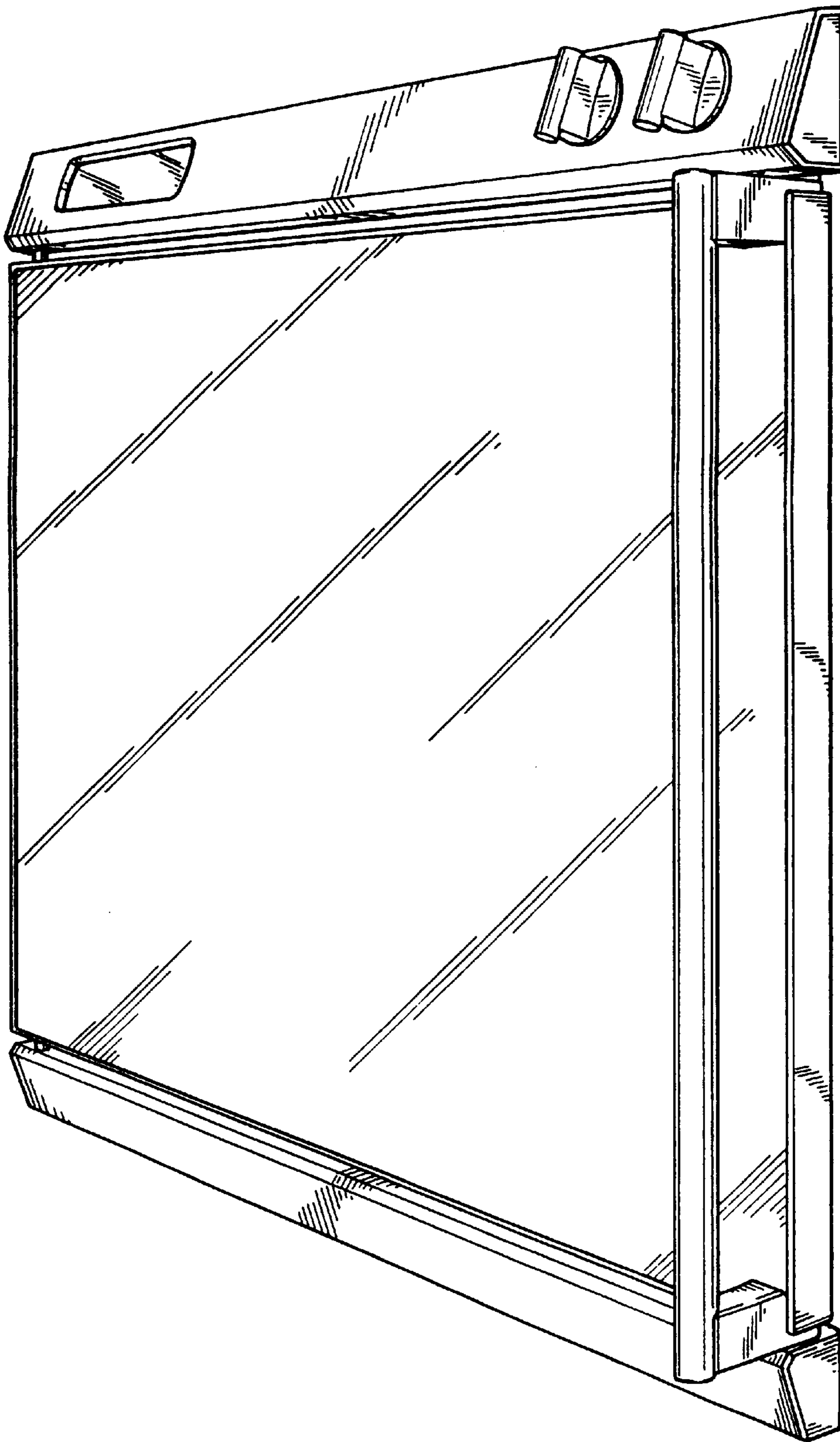


Fig. 2

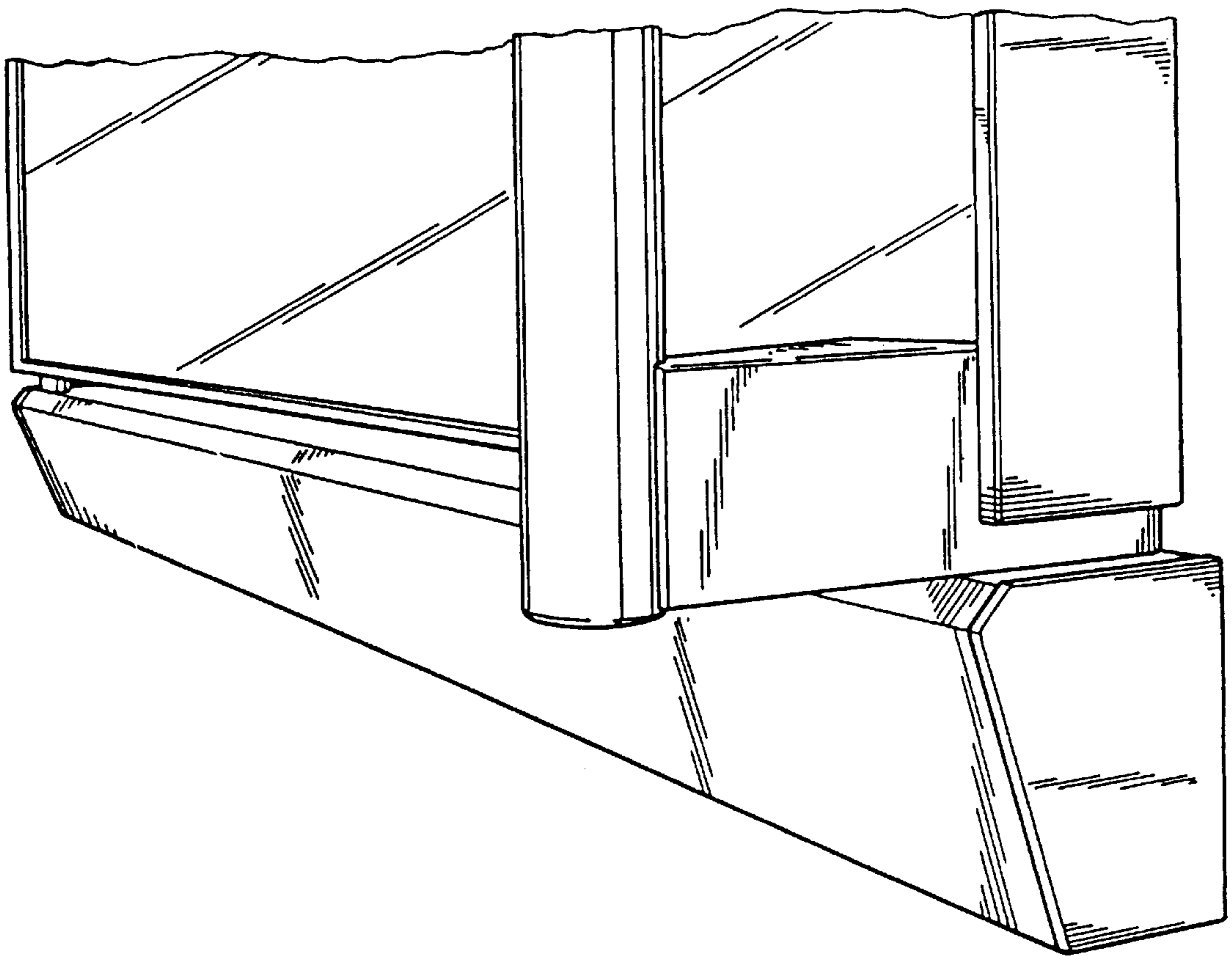


Fig. 3

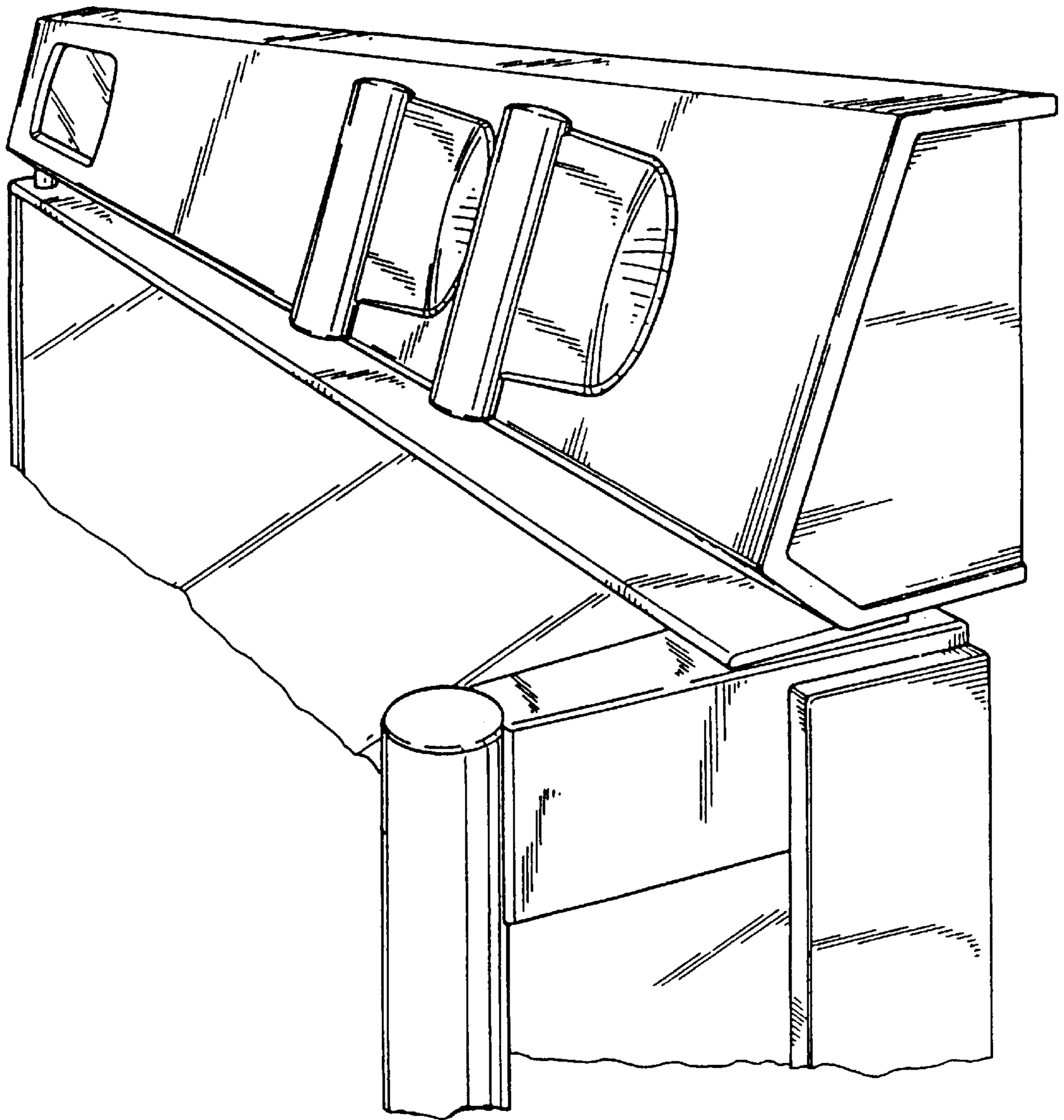


Fig. 4

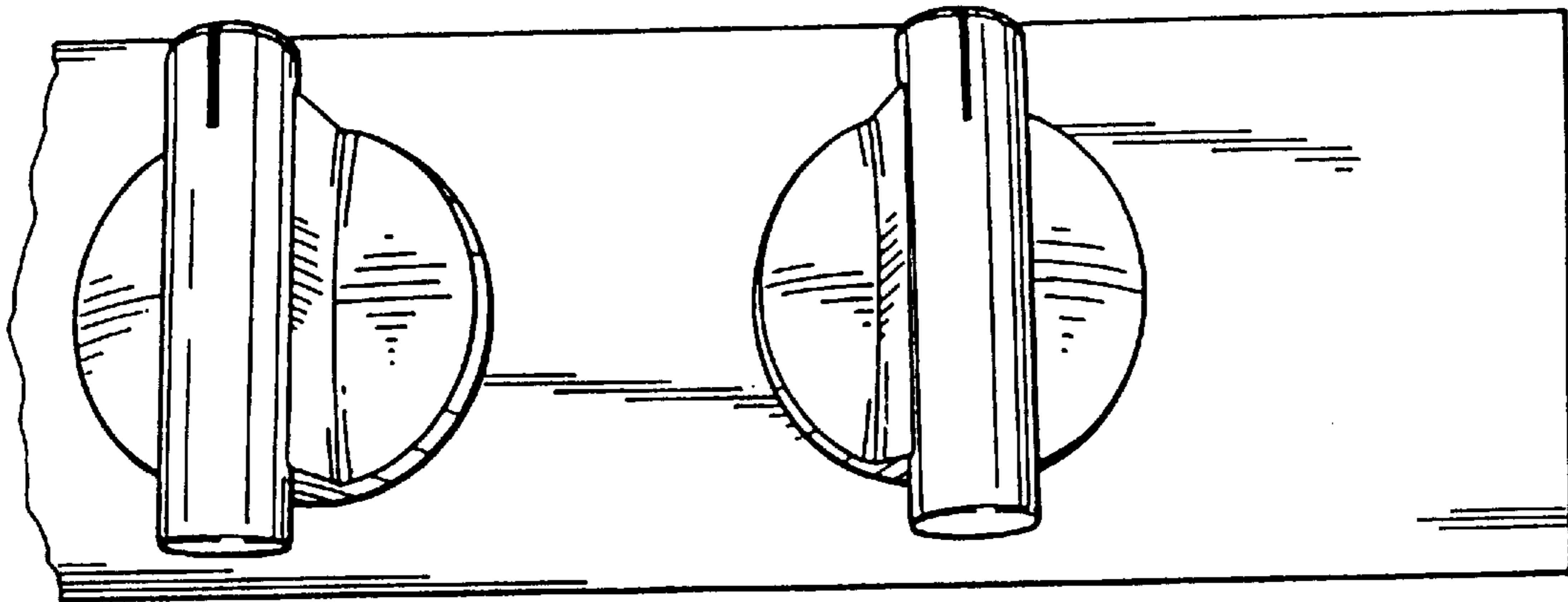


Fig. 5

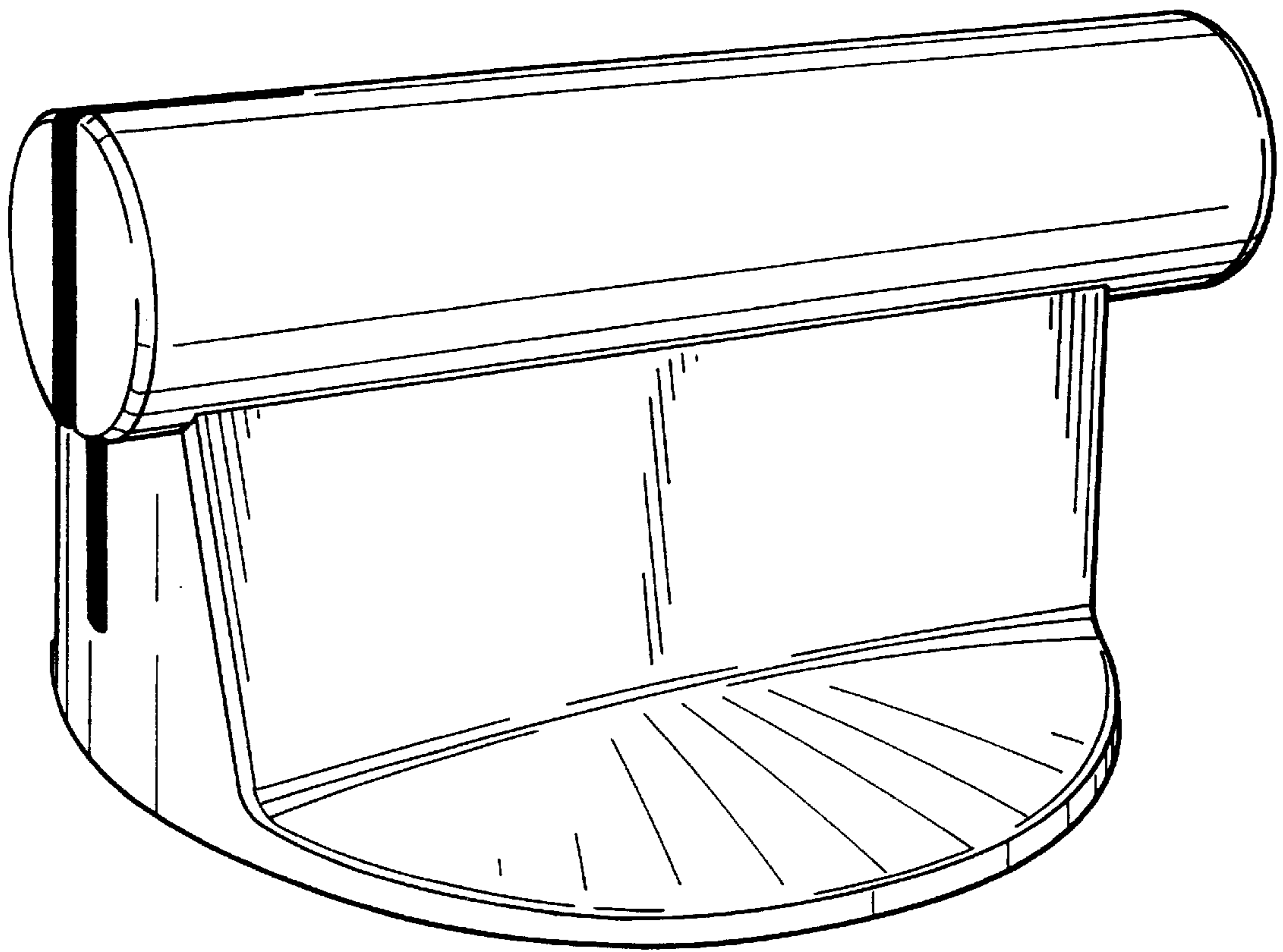


Fig. 6

