



US00D443173S

(12) **United States Design Patent**
Danielsen et al.

(10) **Patent No.:** **US D443,173 S**
(45) **Date of Patent:** **** Jun. 5, 2001**

- (54) **PAN CORNER**
- (75) Inventors: **James P. Danielsen**, Sheboygan;
Jeffrey C. Mittmann, Plymouth, both
of WI (US)
- (73) Assignee: **The Vollrath Company, L.L.C.**,
Sheboygan, WI (US)
- (**) Term: **14 Years**

- 267337 11/1988 (FR) .
- 0348866 9/1993 (FR) .
- 0348867 9/1993 (FR) .
- 0348868 9/1993 (FR) .
- 0348869 9/1993 (FR) .
- 0348870 9/1993 (FR) .
- 0348871 9/1993 (FR) .
- 0348872 9/1993 (FR) .
- 0348873 9/1993 (FR) .
- DM038 746 1/1997 (XH) .

- (21) Appl. No.: **29/108,798**
- (22) Filed: **Aug. 3, 1999**

Primary Examiner—Caron D. Veynar
(74) *Attorney, Agent, or Firm*—Foley & Lardner

Related U.S. Application Data

- (62) Division of application No. 29/085,301, filed on Mar. 19, 1998.
- (51) **LOC (7) Cl.** **07-02**
- (52) **U.S. Cl.** **D7/354**
- (58) **Field of Search** D7/354-361; D8/18,
D8/34; D9/345, 415, 423-426, 434, 435;
206/216, 427, 459.5, 508, 515, 518, 564,
592, 593; 220/4.21, 200, 212, 309.1, 309.2,
256, 380, 780-788, 790, 801, 912; 229/406

(57) **CLAIM**

The ornamental design for a pan corner, as shown.

DESCRIPTION

FIG. 1 is a top perspective view of a pan corner showing my new design;
 FIG. 2 is a top plan view, the bottom plan view being a mirror image thereof;
 FIG. 3 is a front elevational view;
 FIG. 4 is an auxiliary elevational view taken along lines 4-4 of FIG. 2;
 FIG. 5 is a right side elevational view thereof;
 FIG. 6 is a sectional view taken along line 6-6 of FIG. 2;
 FIG. 7 is a top perspective view of a second embodiment of FIGS. 1-6;
 FIG. 8 is a top plan view of the second embodiment; the bottom plan view being a mirror image thereof;
 FIG. 9 is a front elevational view of the second embodiment;
 FIG. 10 is an auxiliary elevational view of the second embodiment taken along lines 10-10 of FIG. 8;
 FIG. 11 is a right side elevational view of the second embodiment; and,
 FIG. 12 is a sectional view of the second embodiment taken along lines 12-12 of FIG. 8.
 One of the broken lines in FIGS. 1-5 and 7-11 indicates indeterminate length while the other broken lines are for illustrative purposes only and forms no part of the claimed design.

(56) **References Cited**

U.S. PATENT DOCUMENTS

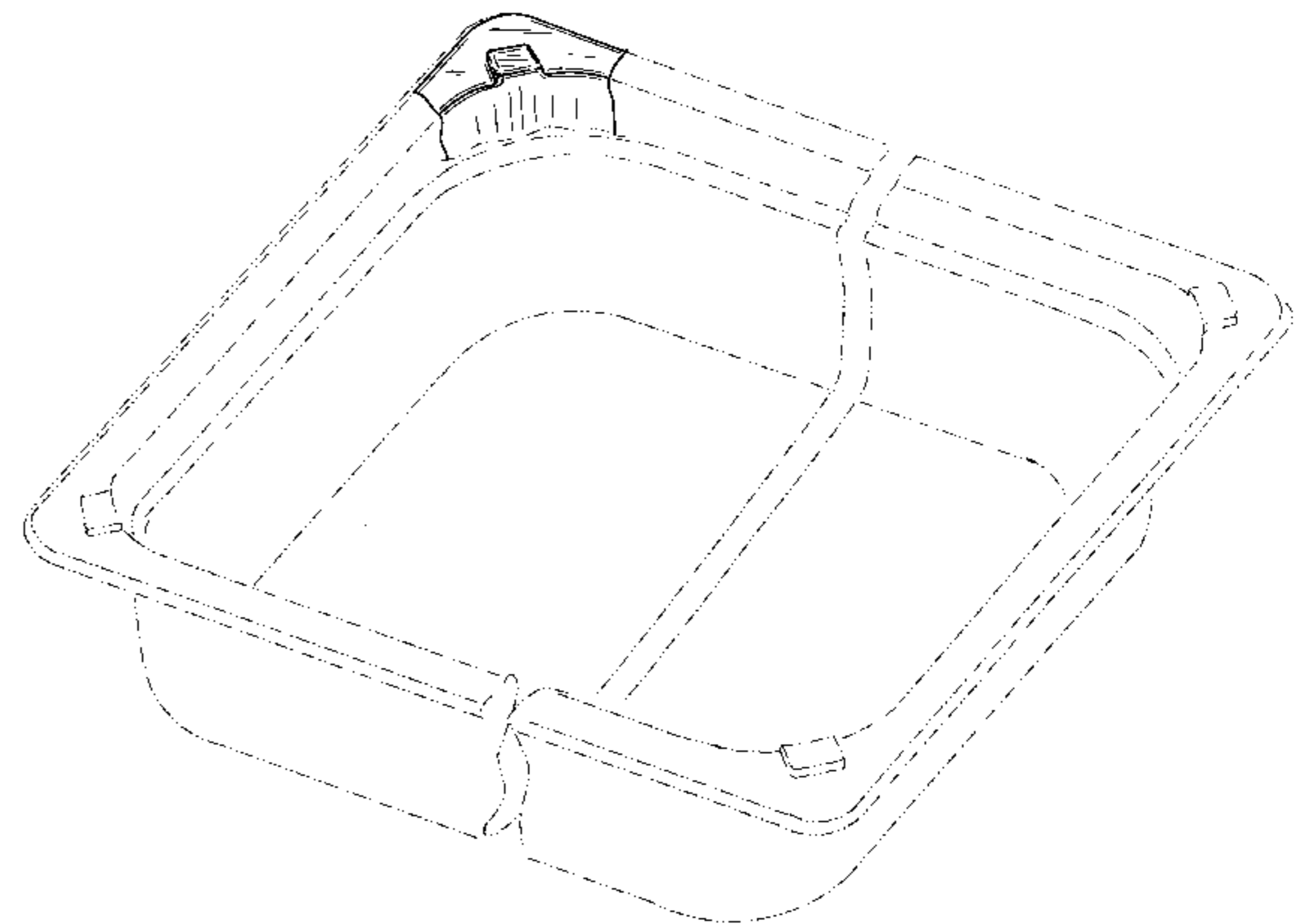
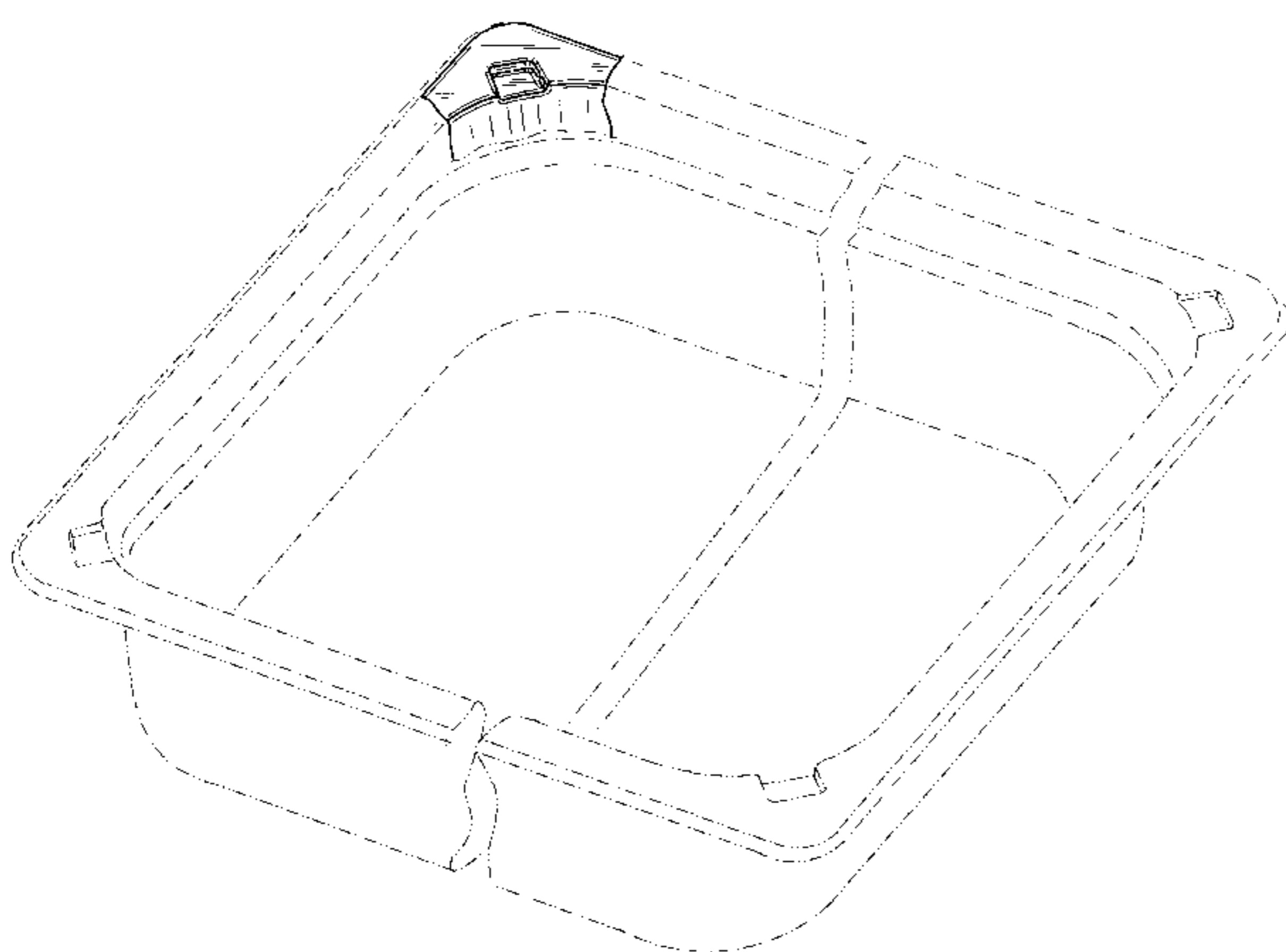
- D. 191,565 10/1961 Wolf et al. .
- D. 202,964 11/1965 Benes et al. .
- D. 277,993 3/1985 Sinchok .
- D. 282,520 2/1986 Schrage .
- D. 291,526 8/1987 Heaney et al. .
- D. 365,273 12/1995 Indekeu .
- D. 387,986 12/1997 Hayes et al. .
- D. 401,765 * 12/1998 Soutullo D9/415 X
- 2,170,040 8/1939 Stuart .
- 2,605,929 8/1952 Bloomfield .

(List continued on next page.)

FOREIGN PATENT DOCUMENTS

- 1253019 12/1960 (FR) .

1 Claim, 4 Drawing Sheets



US D443,173 S

Page 2

U.S. PATENT DOCUMENTS

2,656,066	10/1953	Riemenschneider .	3,700,096	10/1972	Reifers .
2,673,003	3/1954	Stewart .	3,938,727	2/1976	Andersson .
2,738,915	3/1956	Clair .	4,113,095	9/1978	Dietz et al. .
2,814,427	11/1957	Emery .	4,183,435	1/1980	Thompson et al. .
3,064,849	11/1962	Ferm .	4,300,700 *	11/1981	Chang 220/257
3,098,597	7/1963	Johnson et al. .	4,483,443 *	11/1984	Caille 206/459.5
3,326,408	6/1967	Ringlen .	4,494,650	1/1985	Cullen .
3,420,431	1/1969	Donovan .	4,660,734	4/1987	Heaney et al. .
3,442,377	5/1969	Angelus .	5,035,327	7/1991	Denzin et al. .
3,451,588	6/1969	Weber .	5,244,094	9/1993	Graff, Jr. et al. .
3,539,552	11/1970	Mounts et al. .	5,375,719	12/1994	Mittmann et al. .
3,558,002	1/1971	Lindgren .	5,377,860	1/1995	Littlejohn et al. .
3,563,445	2/1971	Clayton .	5,641,090	6/1997	Kowalski et al. .
3,583,623	6/1971	Golner et al. .	5,881,880 *	3/1999	Jacques et al. 206/518

* cited by examiner

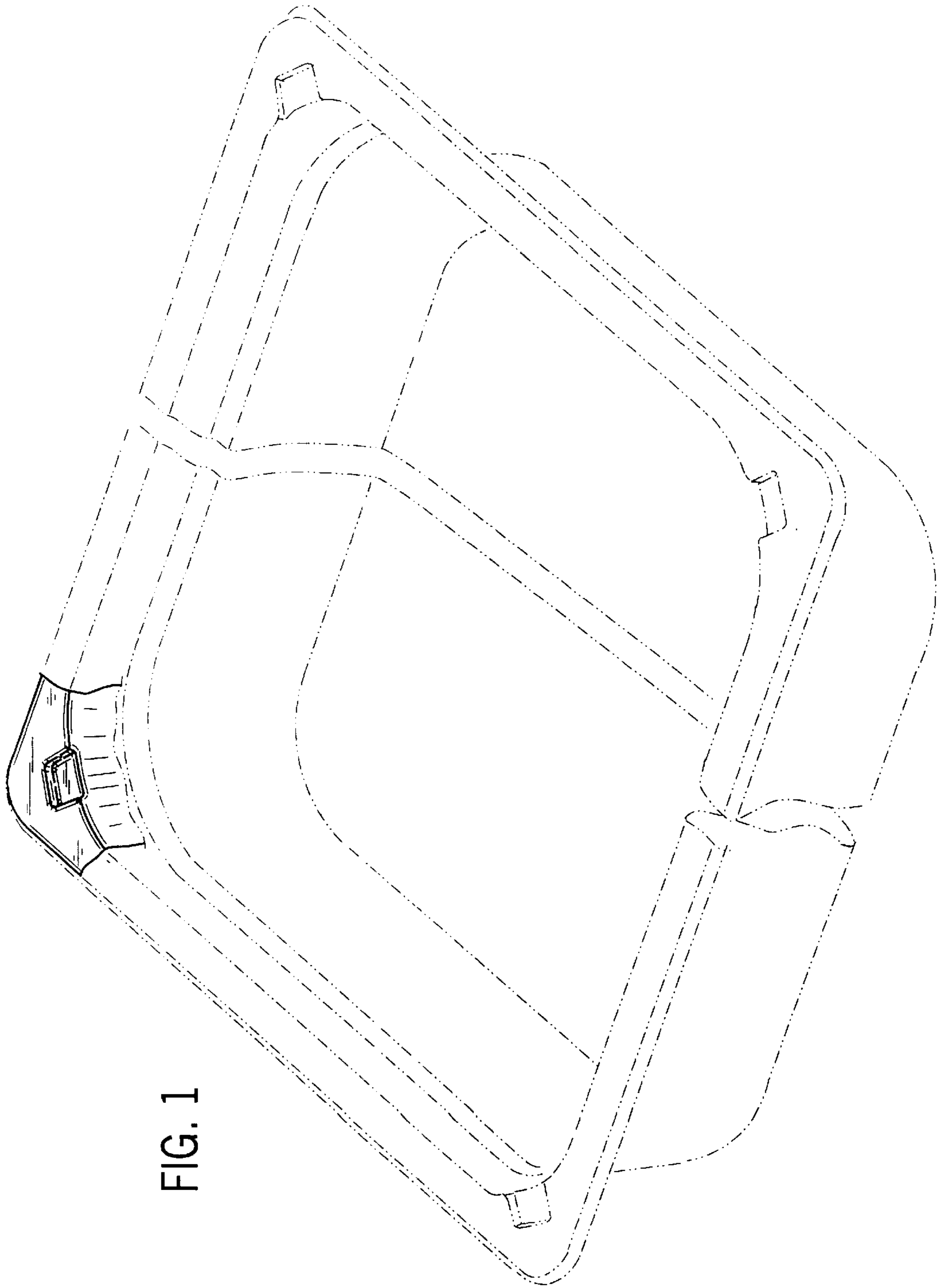


FIG. 1

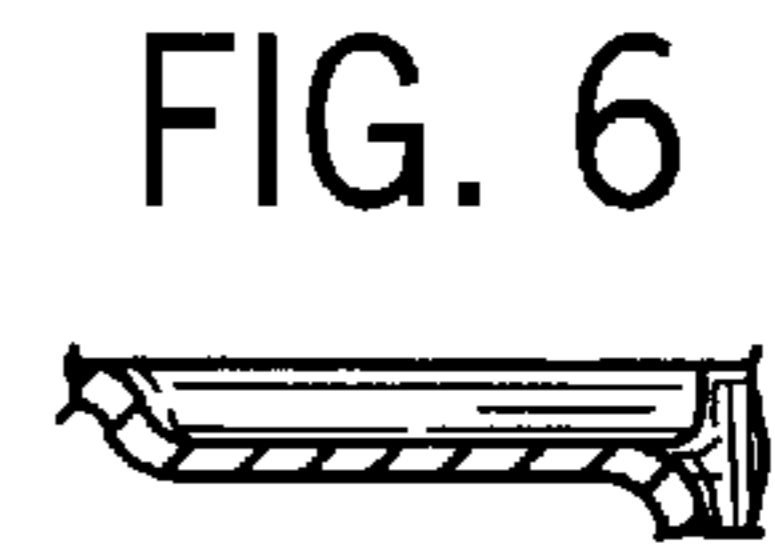
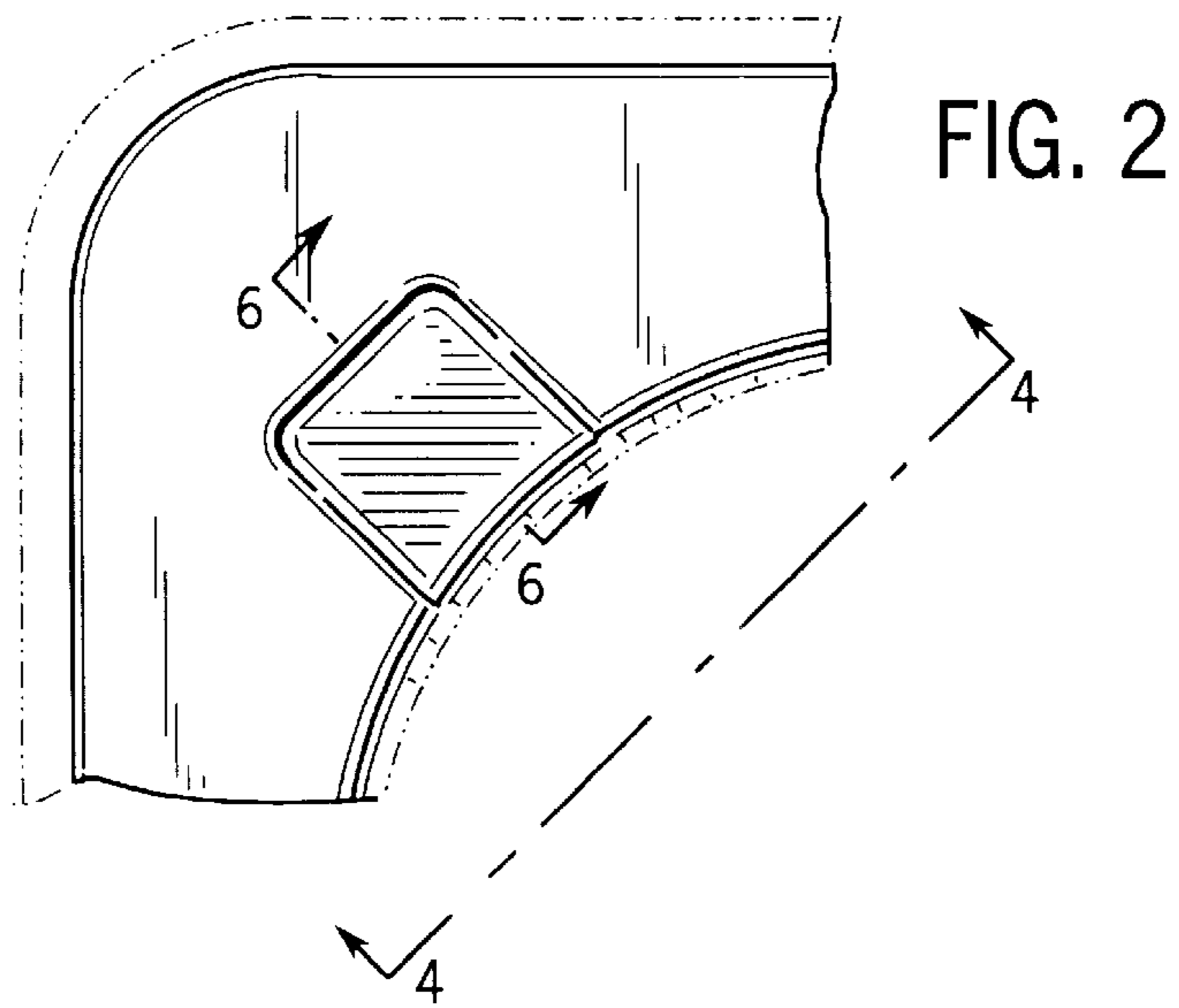


FIG. 3



FIG. 4

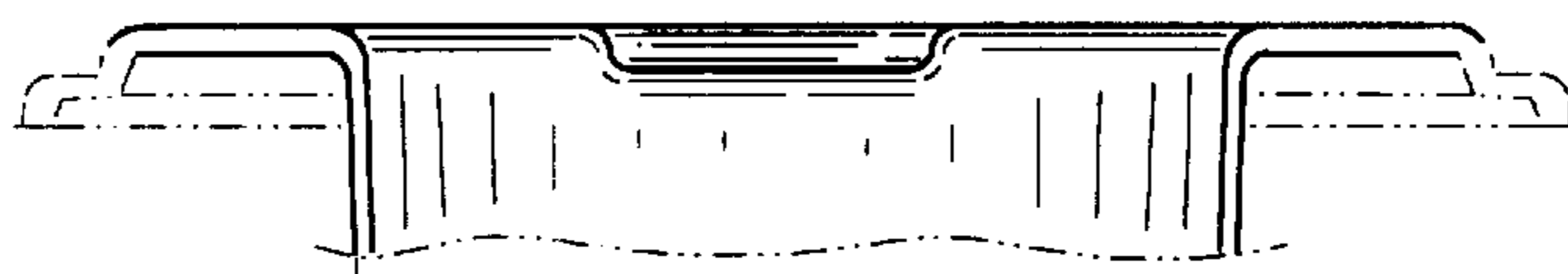
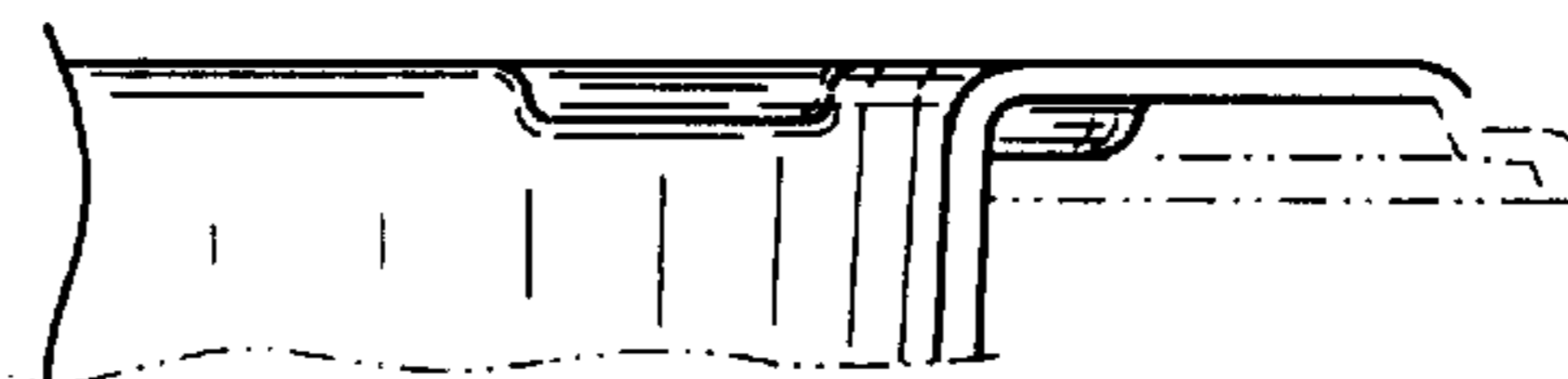


FIG. 5



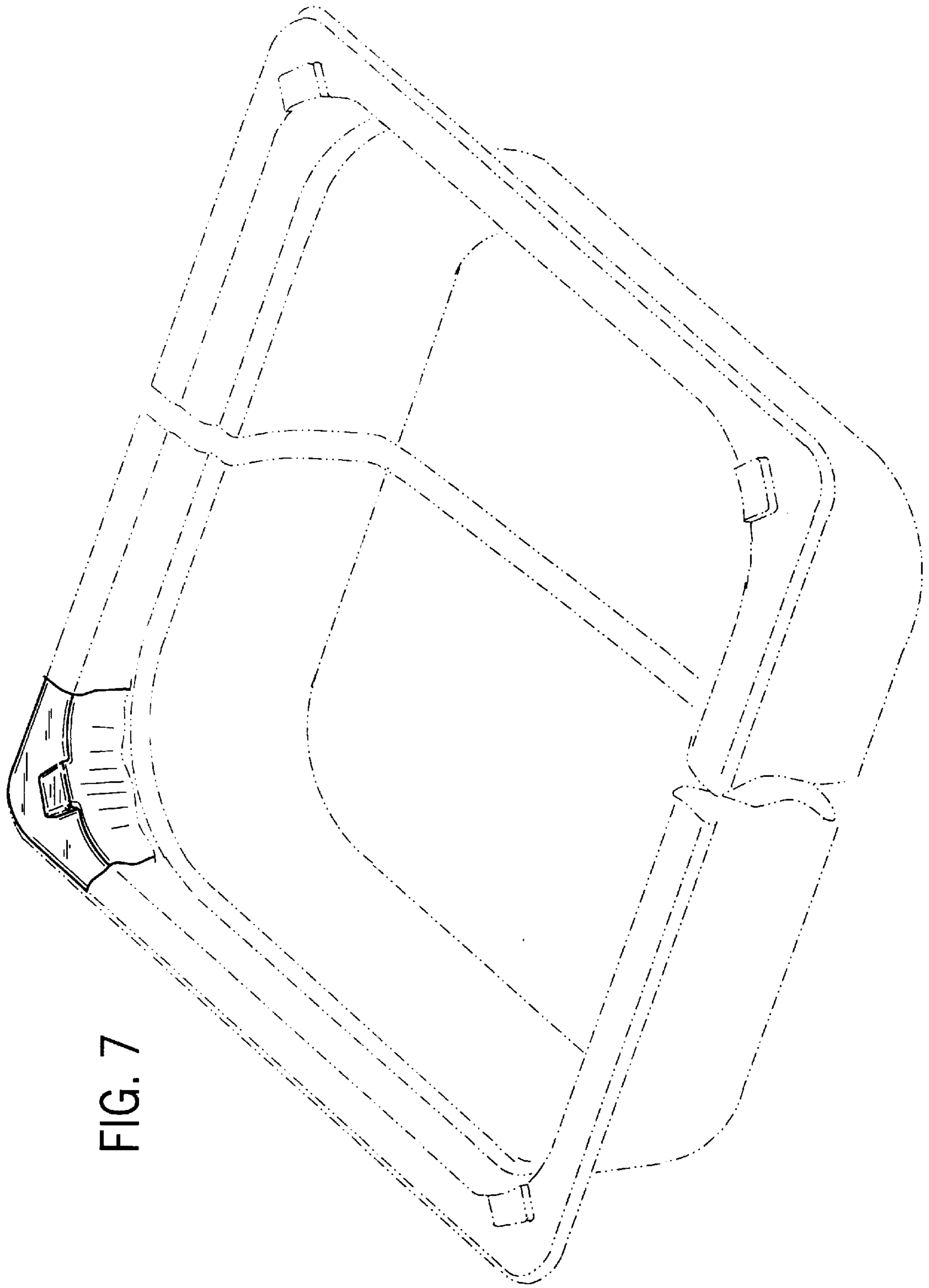


FIG. 7

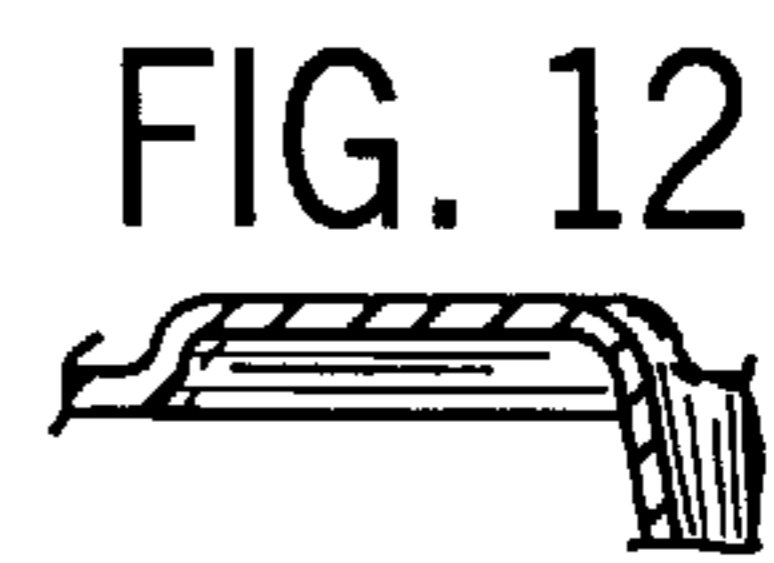
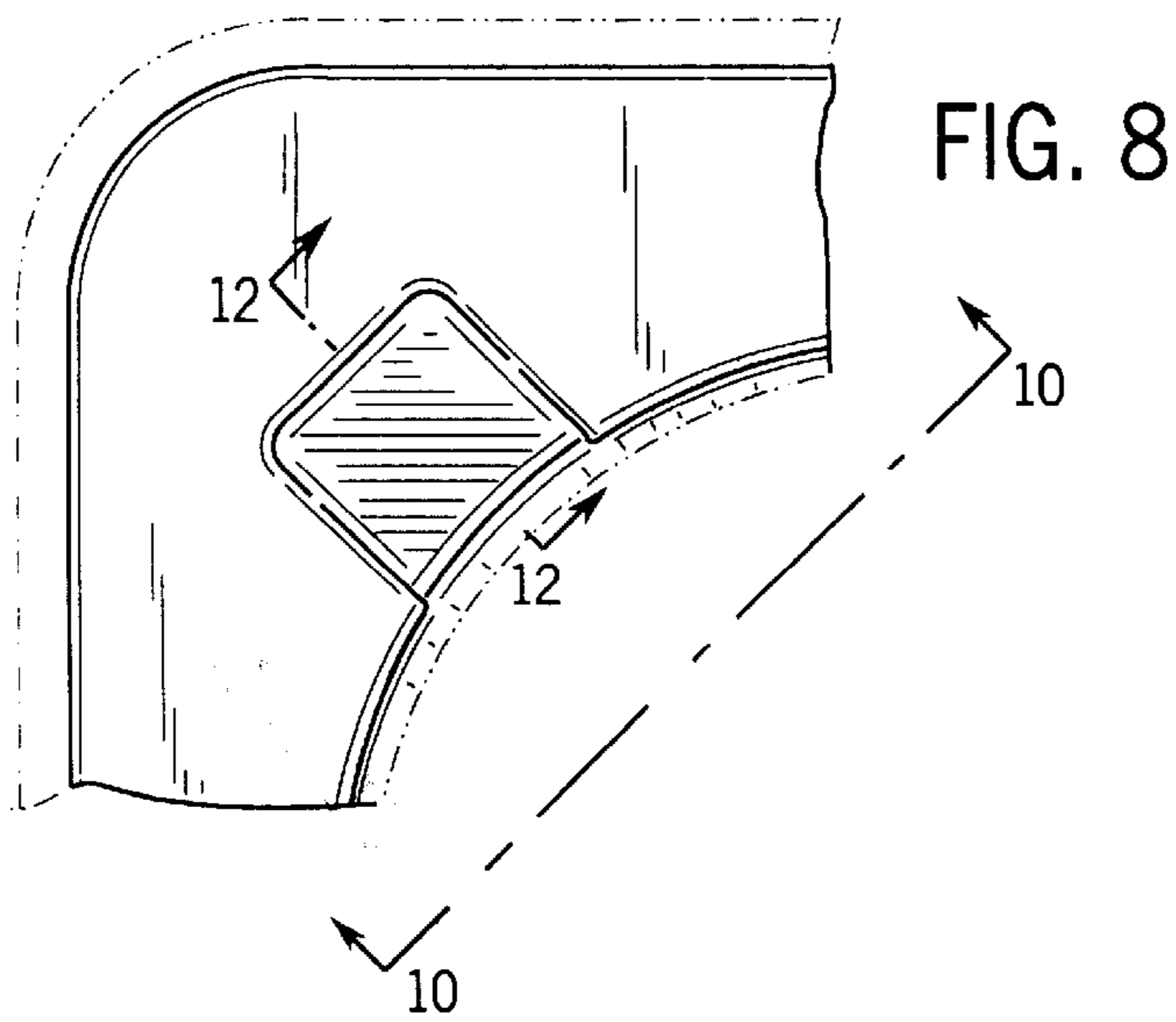


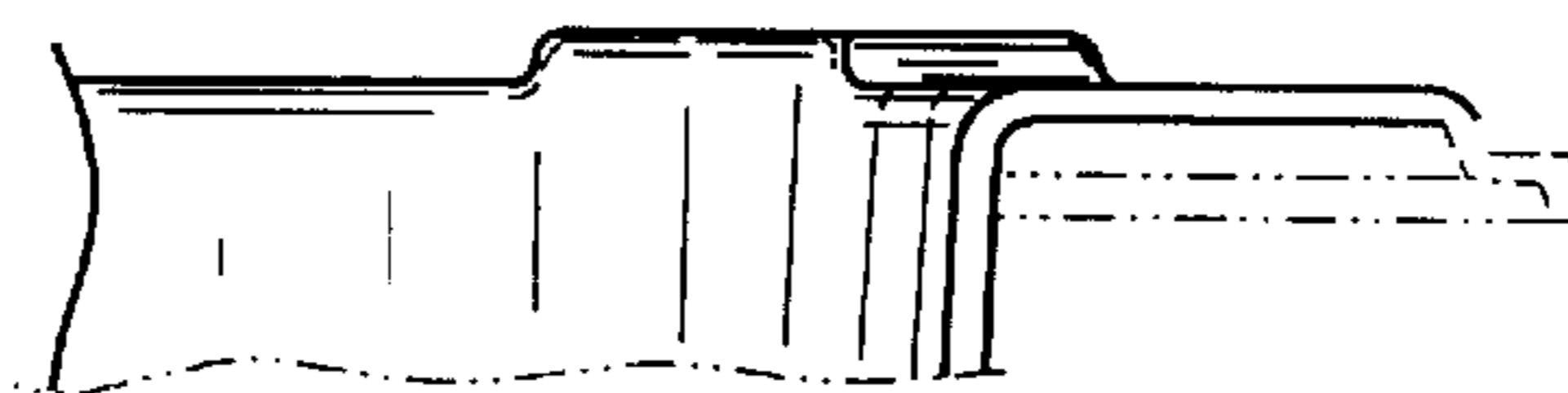
FIG. 9



FIG. 10



FIG. 11



UNITED STATES PATENT AND TRADEMARK OFFICE
CERTIFICATE OF CORRECTION

PATENT NO. : Des 443,173 S
DATED : June 5, 2001
INVENTOR(S) : Jeffrey C. Mittmann

Page 1 of 1

It is certified that error appears in the above-identified patent and that said Letters Patent is hereby corrected as shown below:

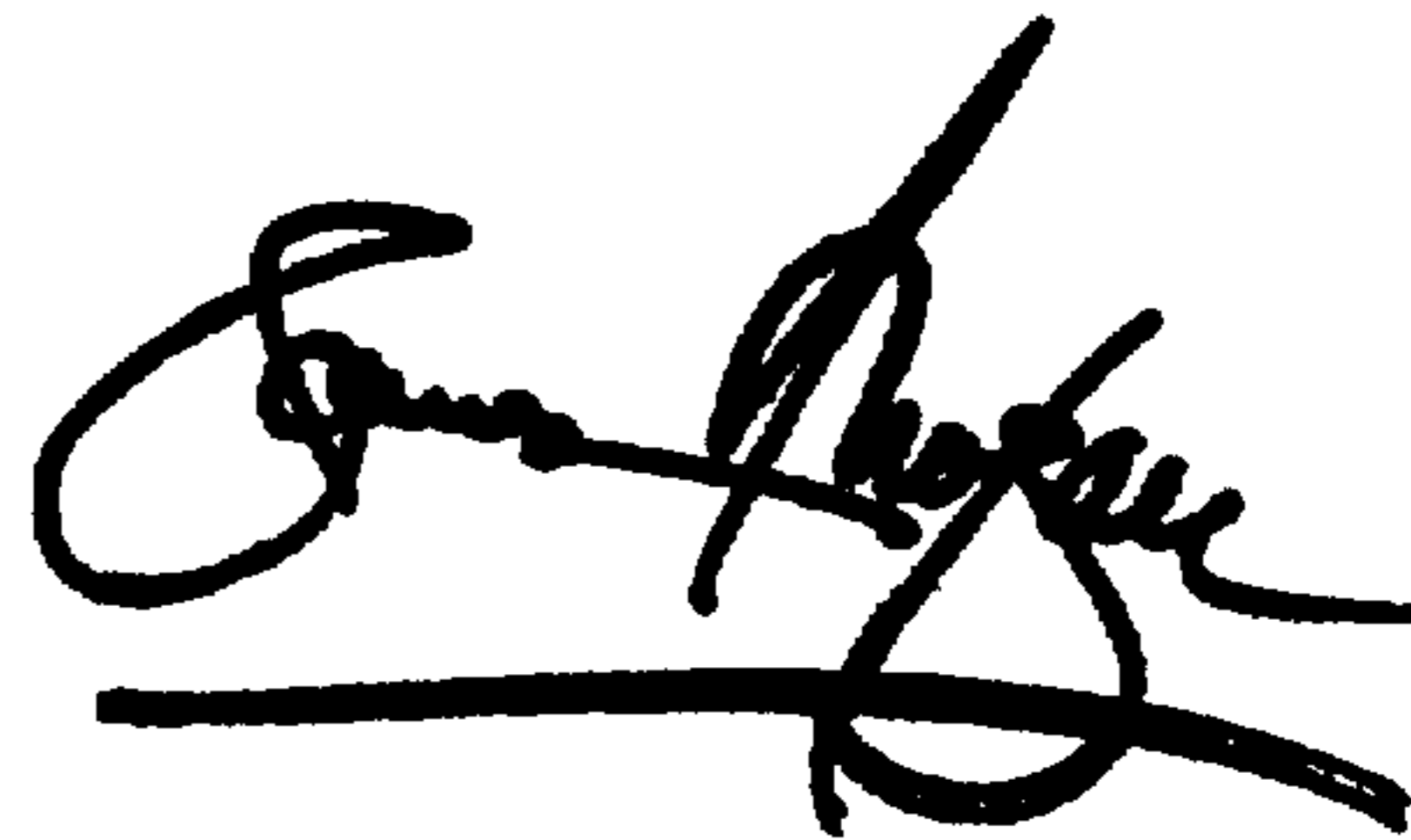
Title page.

The sole inventor should be Jeffrey C. Mittmann.

Signed and Sealed this

Eighth Day of January, 2002

Attest:



Attesting Officer

JAMES E. ROGAN
Director of the United States Patent and Trademark Office