



US00D443171S

(12) **United States Design Patent**
Chen

(10) **Patent No.:** **US D443,171 S**

(45) **Date of Patent:** **** Jun. 5, 2001**

(54) **LUNCH BOX WARMER**

(76) Inventor: **Su-Yue Chen**, No. 16, Lane 93, Sec. 1
Hsing Nan Road, Chong Ho City,
Taipei County (TW)

(**) Term: **14 Years**

(21) Appl. No.: **29/110,948**

(22) Filed: **Sep. 17, 1999**

(51) **LOC (7) Cl.** **07-02**

(52) **U.S. Cl.** **D7/350**

(58) **Field of Search** D7/348, 350-351,
D7/354, 402, 323, 360; 126/273 R, 275 R,
275 E, 19 M, 19 R, 21 A; 219/678, 680,
756-758, 400, 386, 387, 521, 202; 99/421 H,
419, 427, 426

(56) **References Cited**

U.S. PATENT DOCUMENTS

D. 334,504	4/1993	Edwards	D7/326
D. 352,866	11/1994	Kindley et al.	D7/351
D. 375,224	11/1996	Lilly	D7/351
D. 411,407	6/1999	Anthony	D7/351
4,816,646	* 3/1989	Solomon et al.	219/387

5,274,215	*	12/1993	Jackson	219/439
5,369,255	*	11/1994	Sherer et al.	219/725
6,018,143	*	1/2000	Check	219/387
6,046,436		4/2000	Hunts	219/400

* cited by examiner

Primary Examiner—Ruth McInroy

(74) *Attorney, Agent, or Firm*—Rosenberg, Klein & Lee

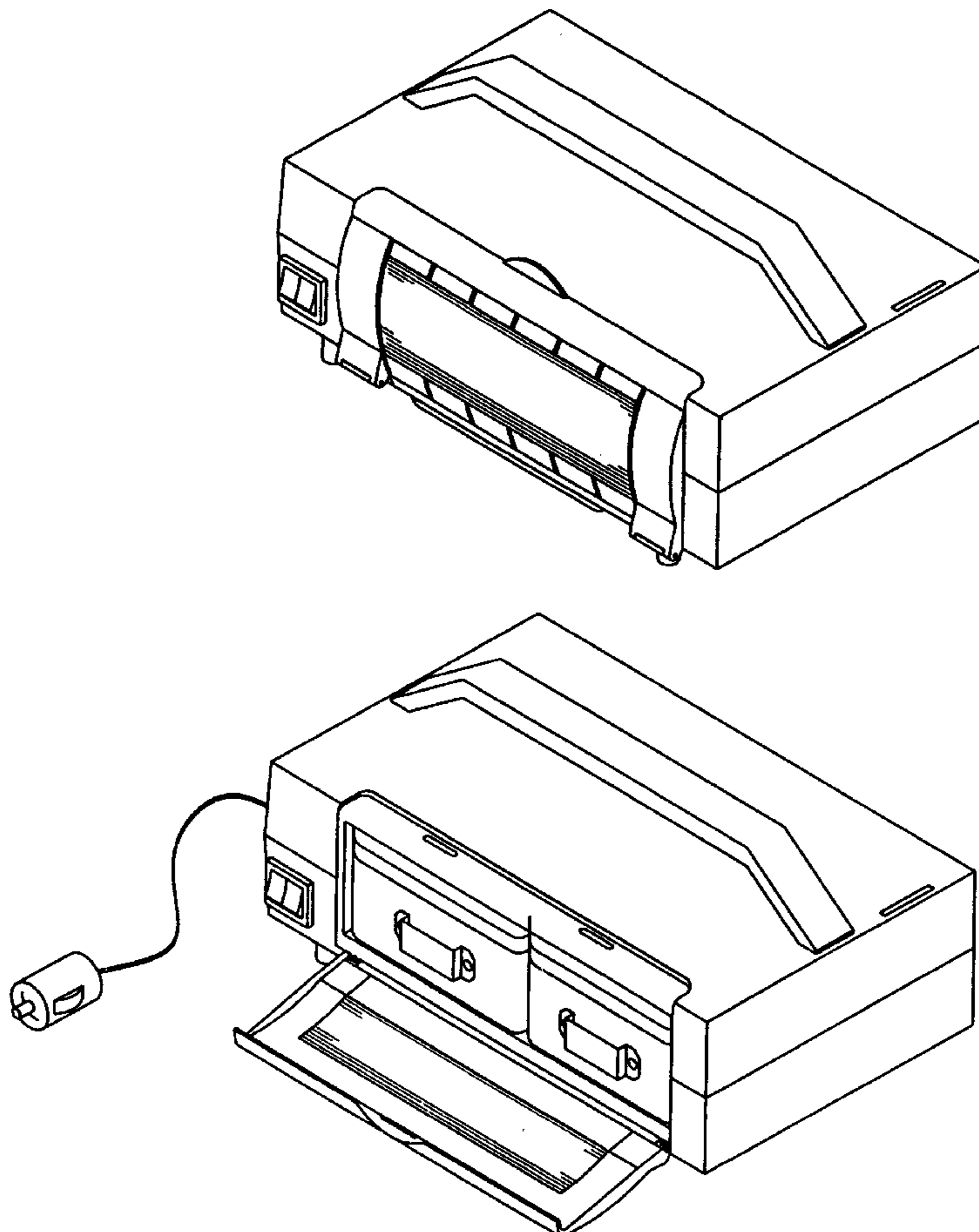
(57) **CLAIM**

The new and original design for a lunch box warmer, as shown and described.

DESCRIPTION

FIG. 1 is a front perspective view of a lunch box warmer showing my new design;
FIG. 2 is a left side elevational view thereof;
FIG. 3 is a right side elevational view thereof;
FIG. 4 is a top plan view thereof;
FIG. 5 is a bottom plan view thereof;
FIG. 6 is a rear perspective view thereof;
FIG. 7 is a perspective view thereof; and,
FIG. 8 is a perspective view thereof with the door in an open position.

1 Claim, 3 Drawing Sheets



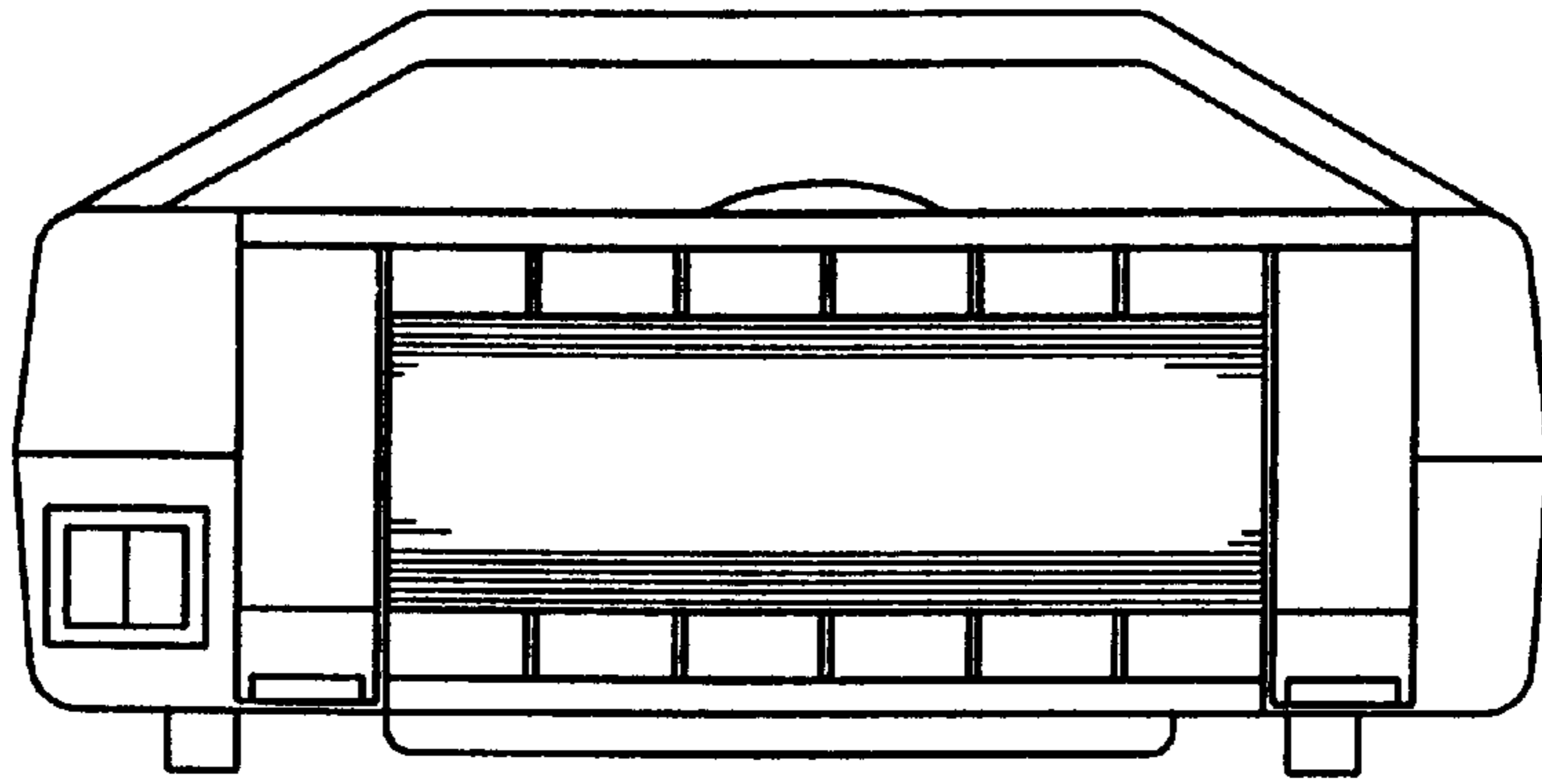


FIG. 1

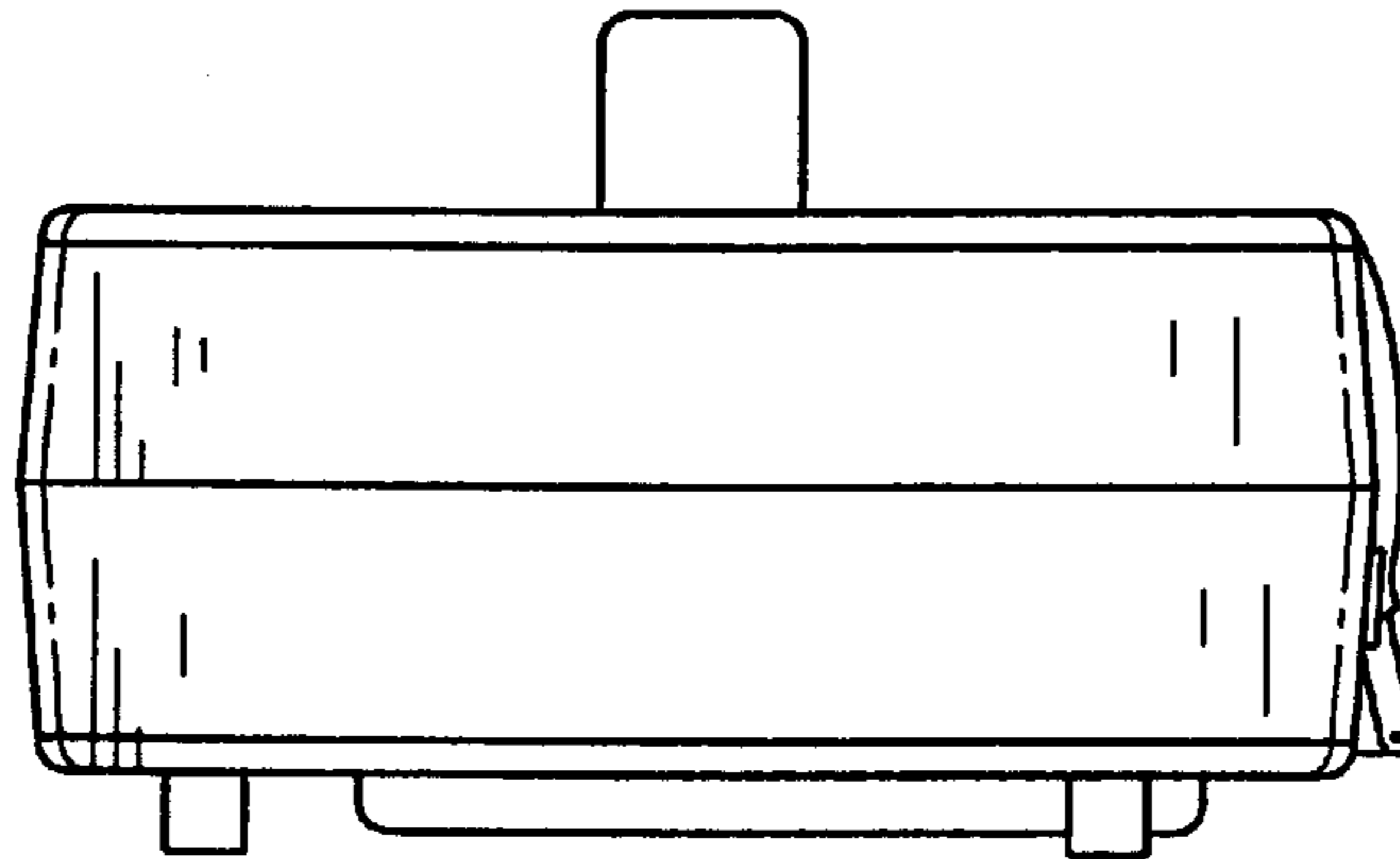


FIG. 2

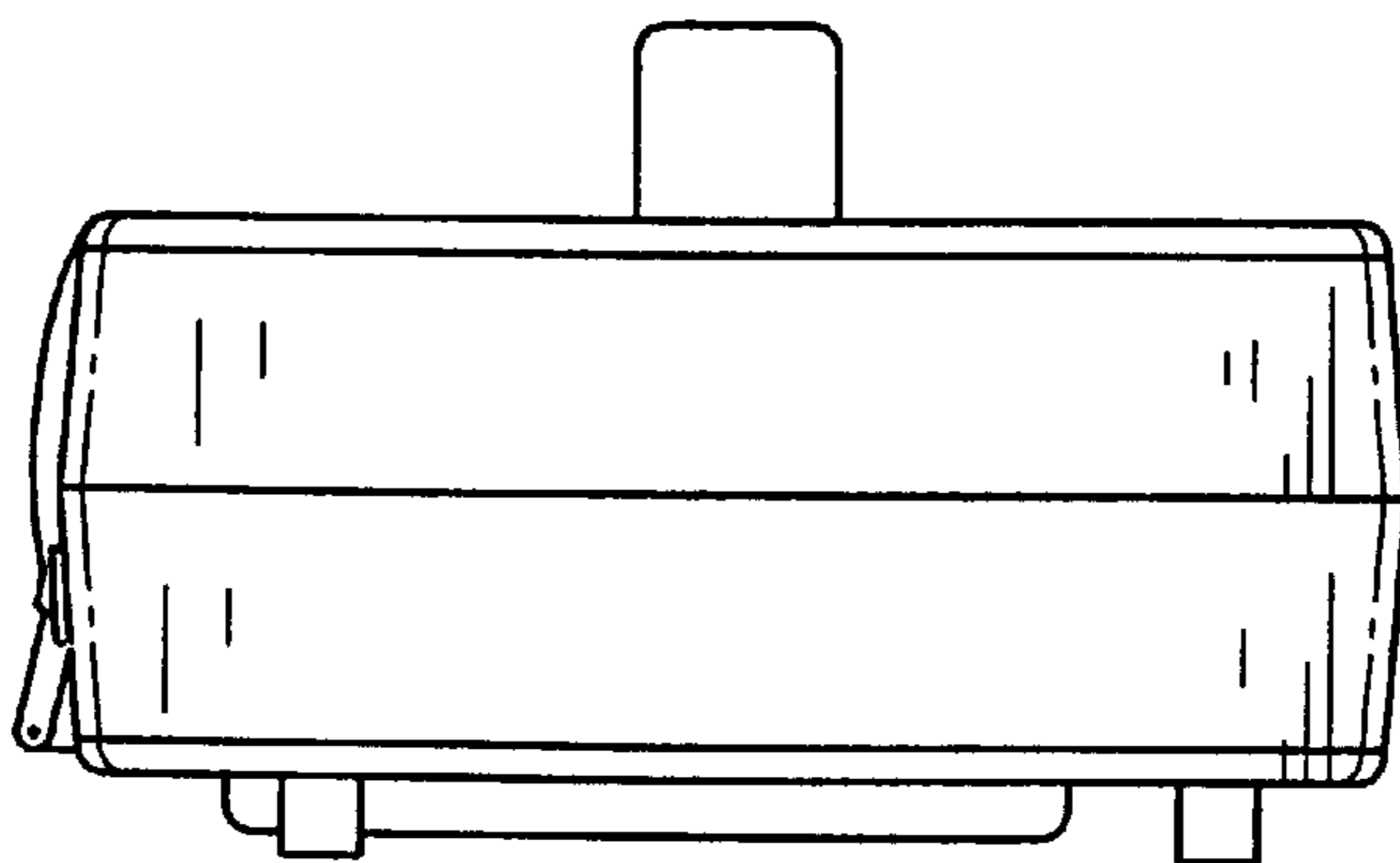


FIG. 3

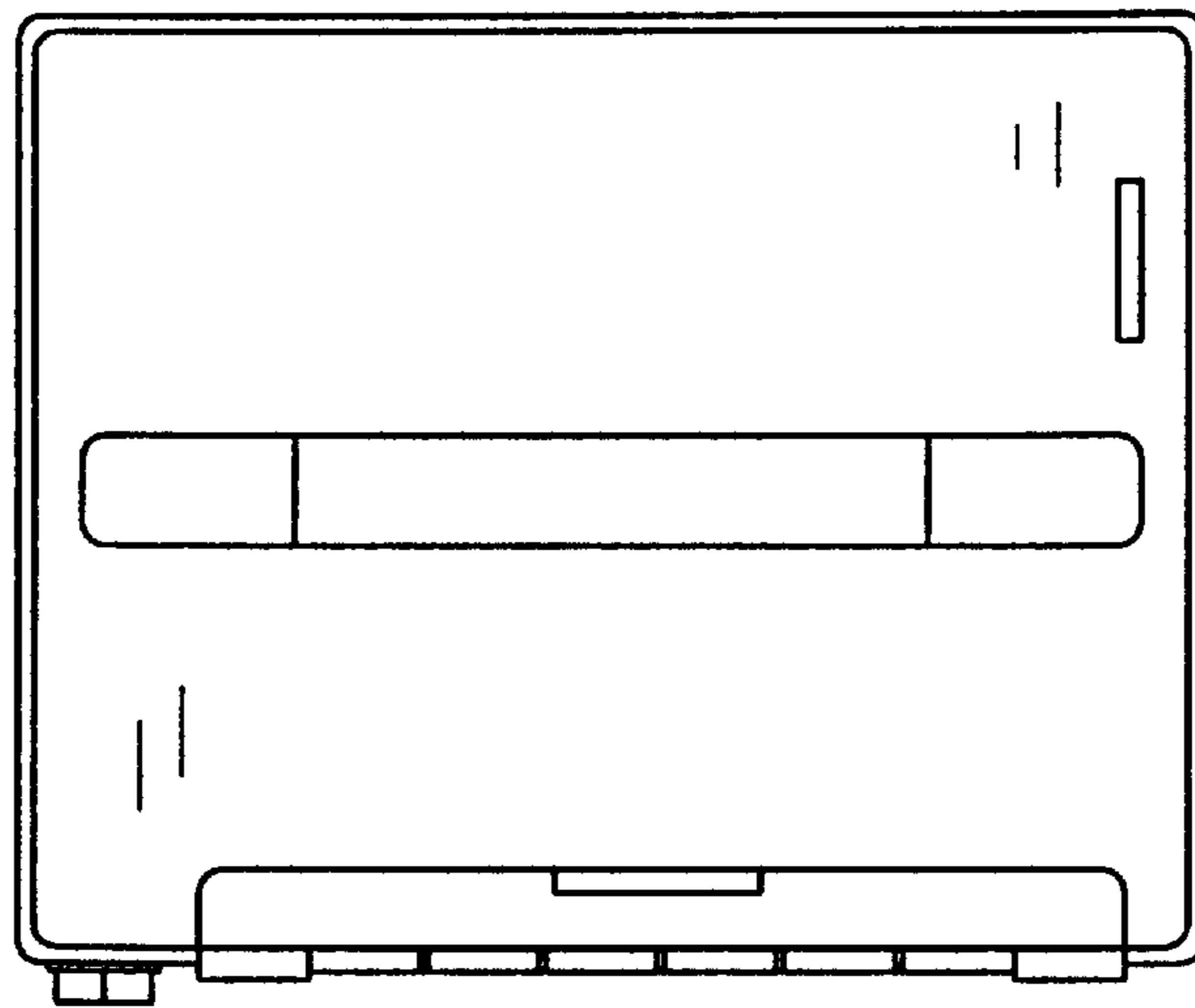


FIG. 4

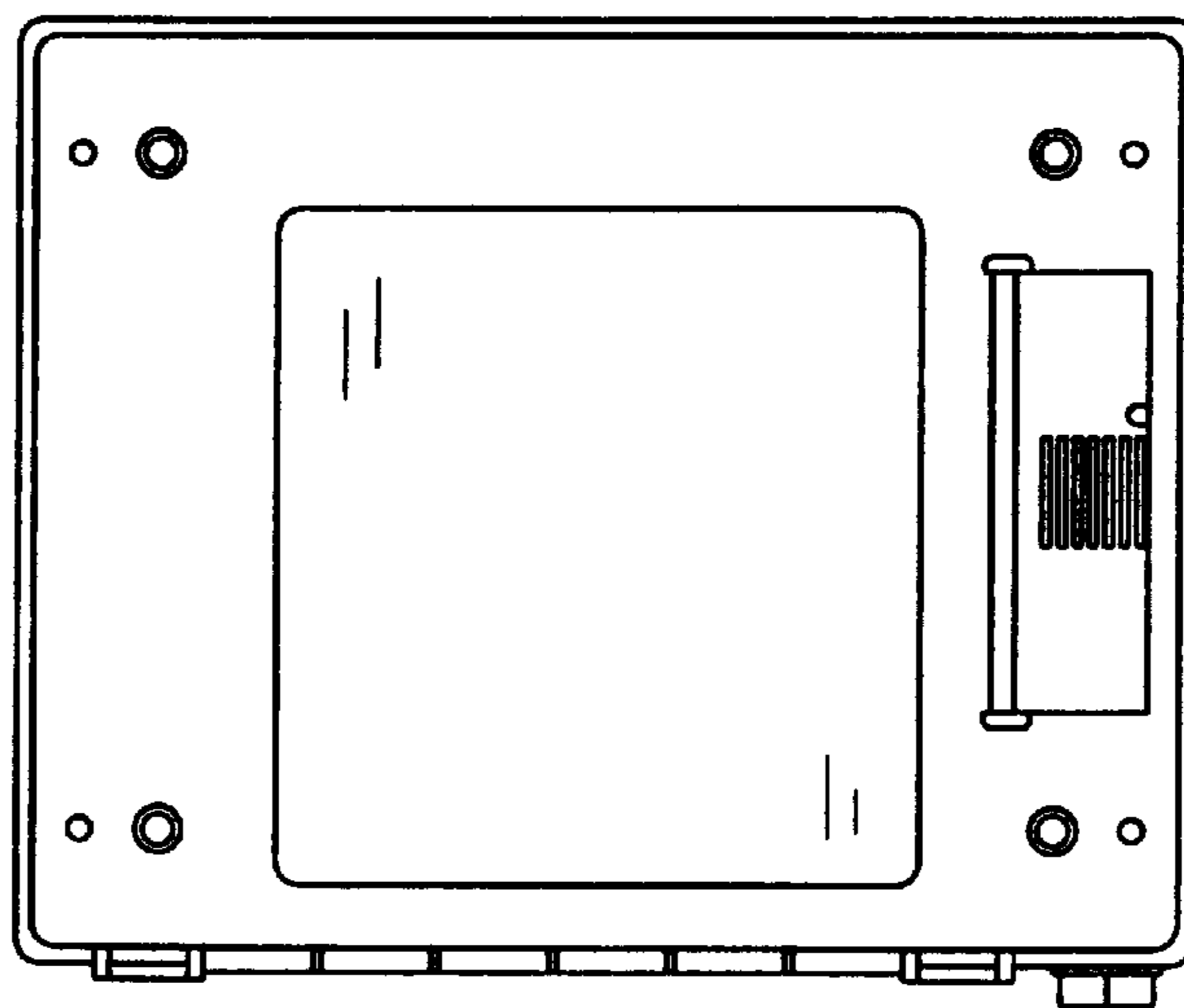


FIG. 5

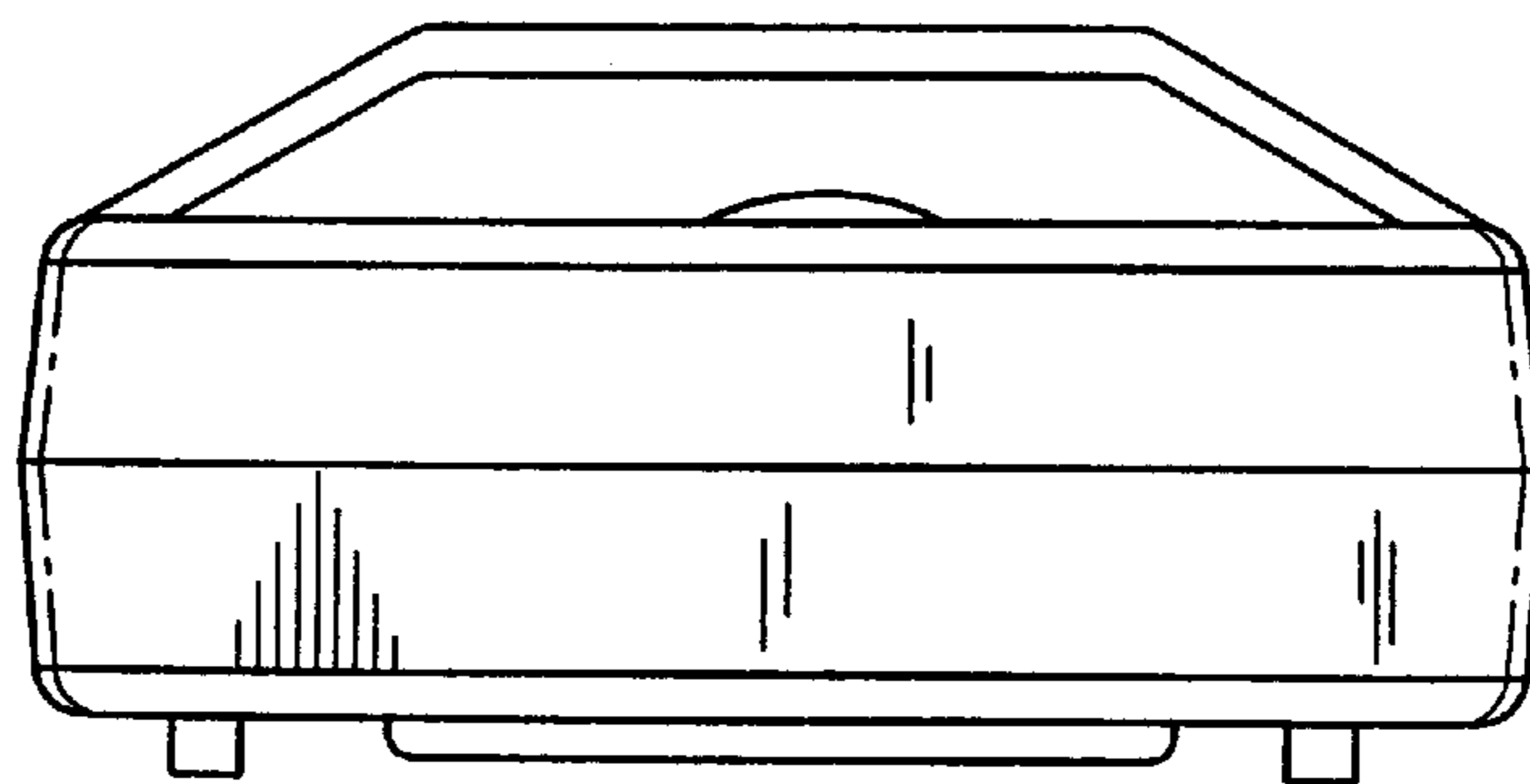


FIG. 6

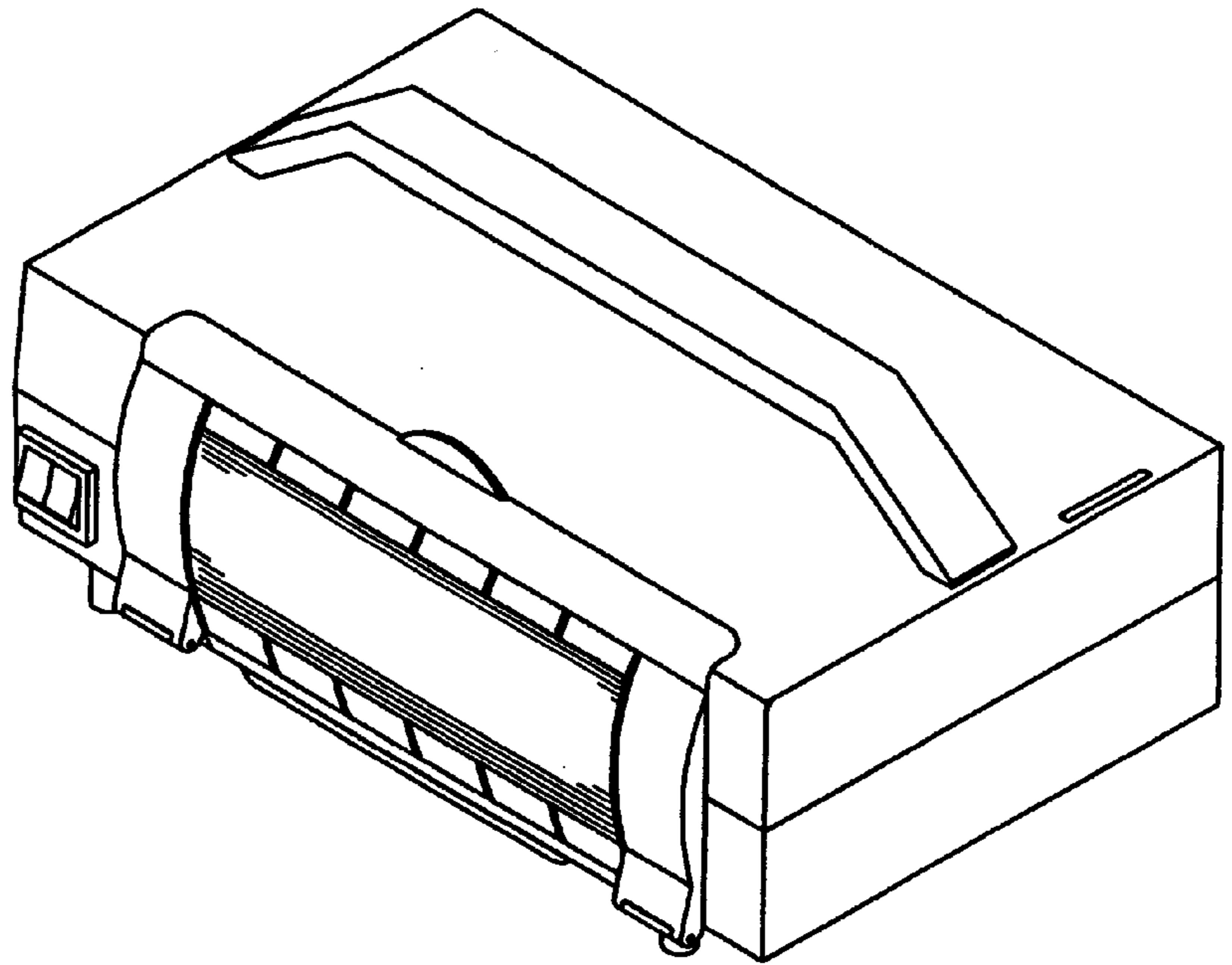


FIG. 7

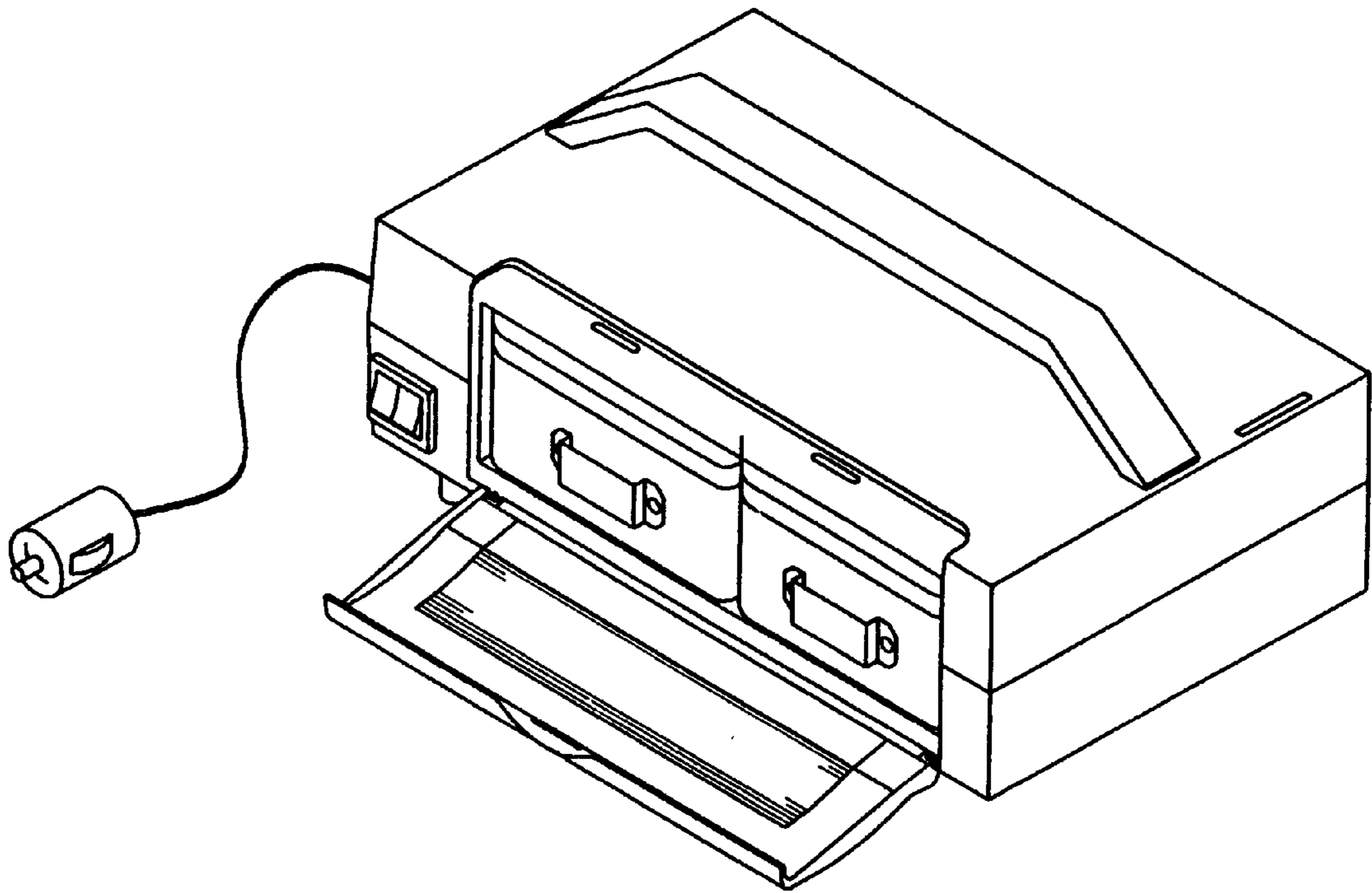


FIG. 8