



US00D443170S

(12) **United States Design Patent**
Brest

(10) **Patent No.:** **US D443,170 S**

(45) **Date of Patent:** **** Jun. 5, 2001**

(54) **LIQUID DISPENSING ARTICLE**

5,388,732 * 2/1995 Gregor D7/361

(76) Inventor: **Iris Brest**, 814 Tolman Dr., Stanford,
CA (US) 94305

* cited by examiner

(**) Term: **14 Years**

Primary Examiner—M. N. Pandozzi

(21) Appl. No.: **29/126,906**

(74) *Attorney, Agent, or Firm*—Mintz, Levin, Cohn, Ferris,
Glovsky and Popeo, P.C.

(22) Filed: **Jul. 26, 2000**

(57) **CLAIM**

(51) **LOC (7) Cl.** **07-01**

The ornamental design for a liquid dispensing article, as
shown and described.

(52) **U.S. Cl.** **D7/315; D7/317; D7/318;**
D7/361

DESCRIPTION

(58) **Field of Search** D7/361, 300, 598,
D7/600, 312, 316, 321, 317, 318, 315;
210/467; 220/574, 912; 99/324; 222/572

FIG. 1 is a perspective view showing my new design;

FIG. 2 is a left side elevational view thereof;

FIG. 3 is a front plan elevational view thereof;

FIG. 4 is a back plan elevational view thereof;

FIG. 5 is a top plan view thereof including a lid;

FIG. 6 is a bottom plan view thereof;

FIG. 7 is a right side elevational view thereof;

FIG. 8 is a top plan view thereof with lid removed;

FIG. 9 is a left side elevational view of a second embodiment
of my new design;

FIG. 10 is a back plan elevational view thereof; and,

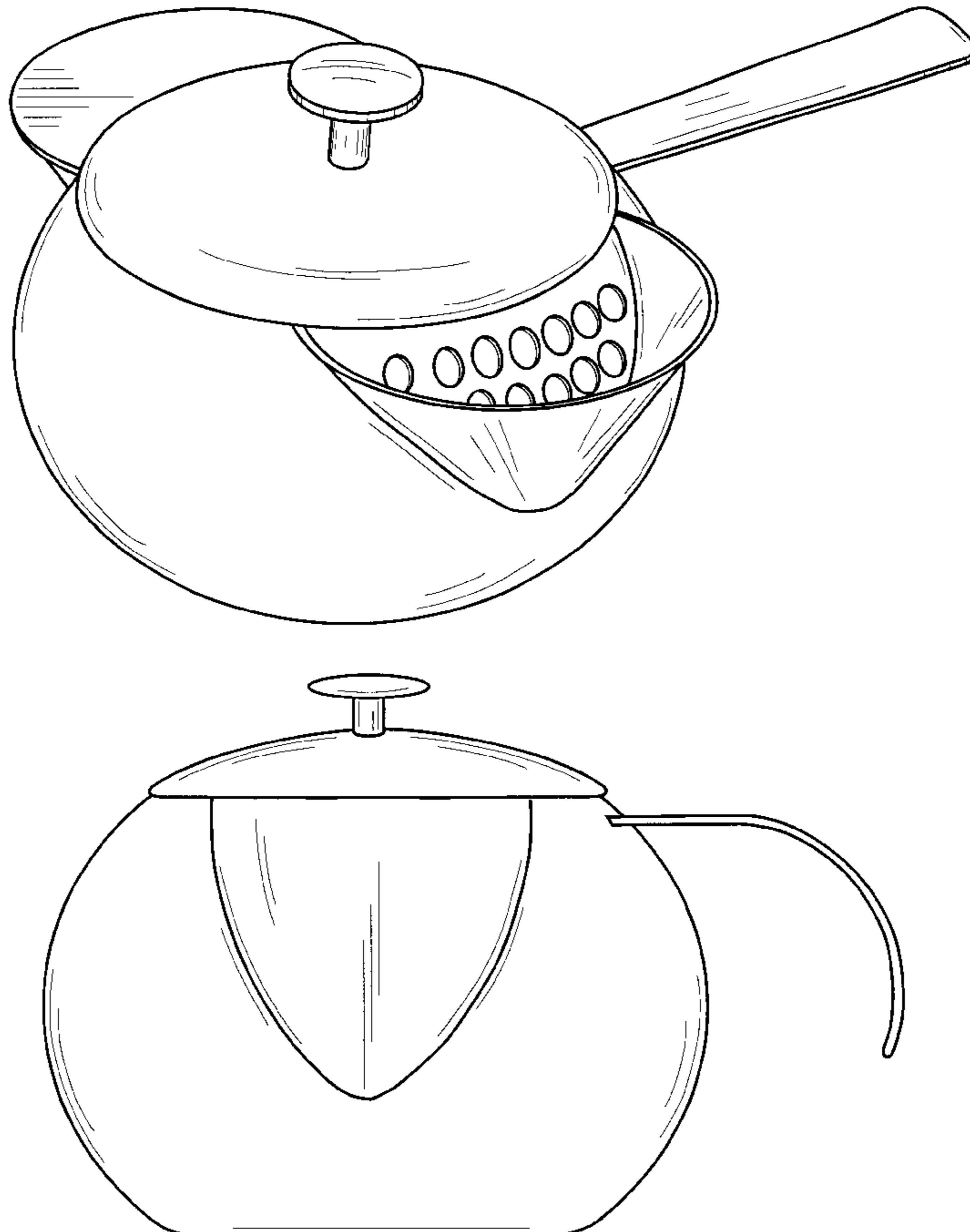
FIG. 11 is a top plan view thereof including a lid.

(56) **References Cited**

U.S. PATENT DOCUMENTS

D. 122,782	*	10/1940	Muller	D7/315
D. 134,166	*	10/1942	Schneider	D7/361
D. 200,332	*	2/1965	Lee	D7/360
D. 221,397	*	8/1971	Chen	99/324
D. 386,940	*	12/1997	Hess	D7/361
D. 427,005	*	6/2000	Yee et al.	D7/321
3,710,709	*	1/1973	Roncarelli	99/324
4,310,418	*	1/1982	Busbey	222/572

1 Claim, 6 Drawing Sheets



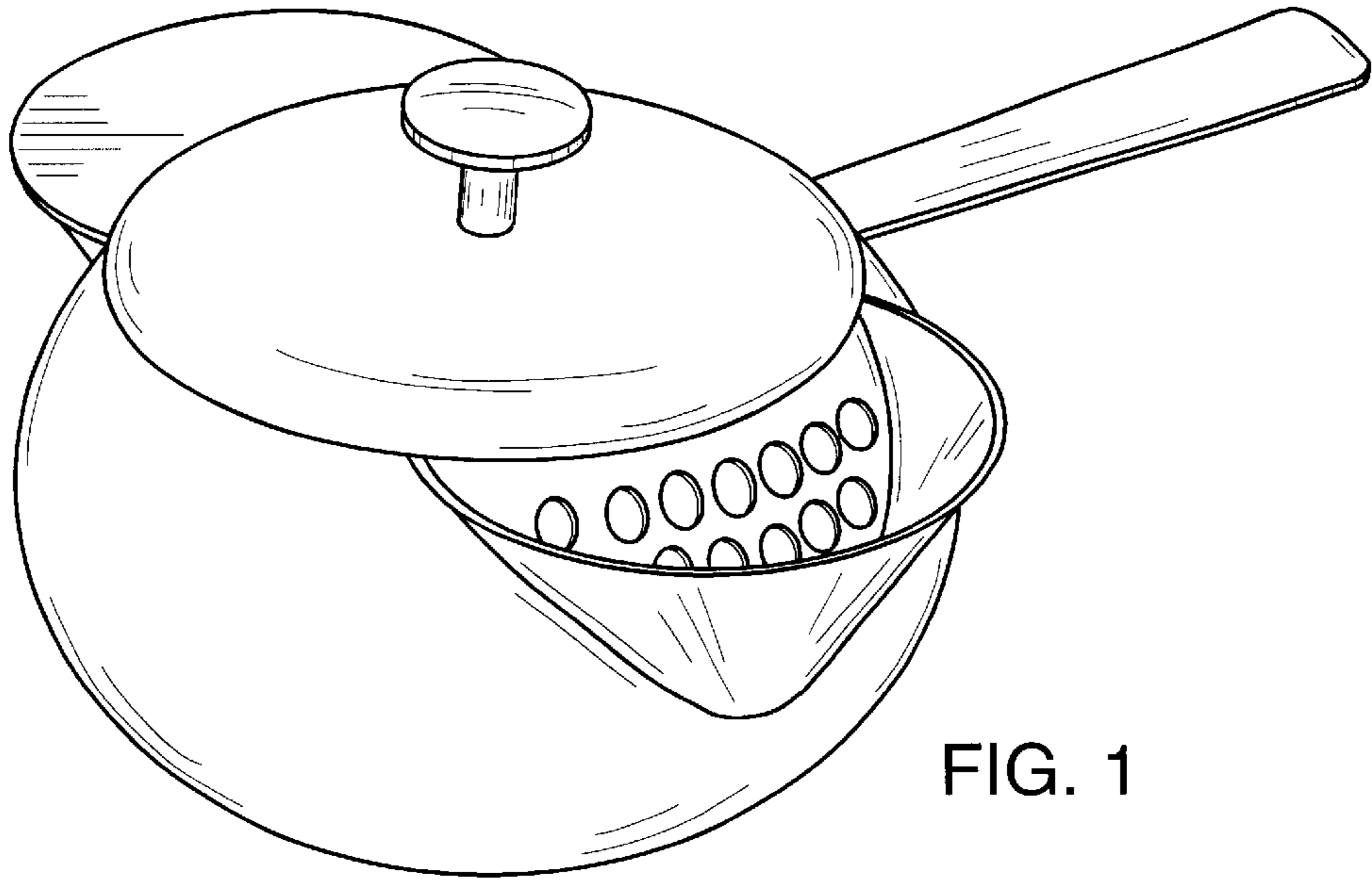


FIG. 1

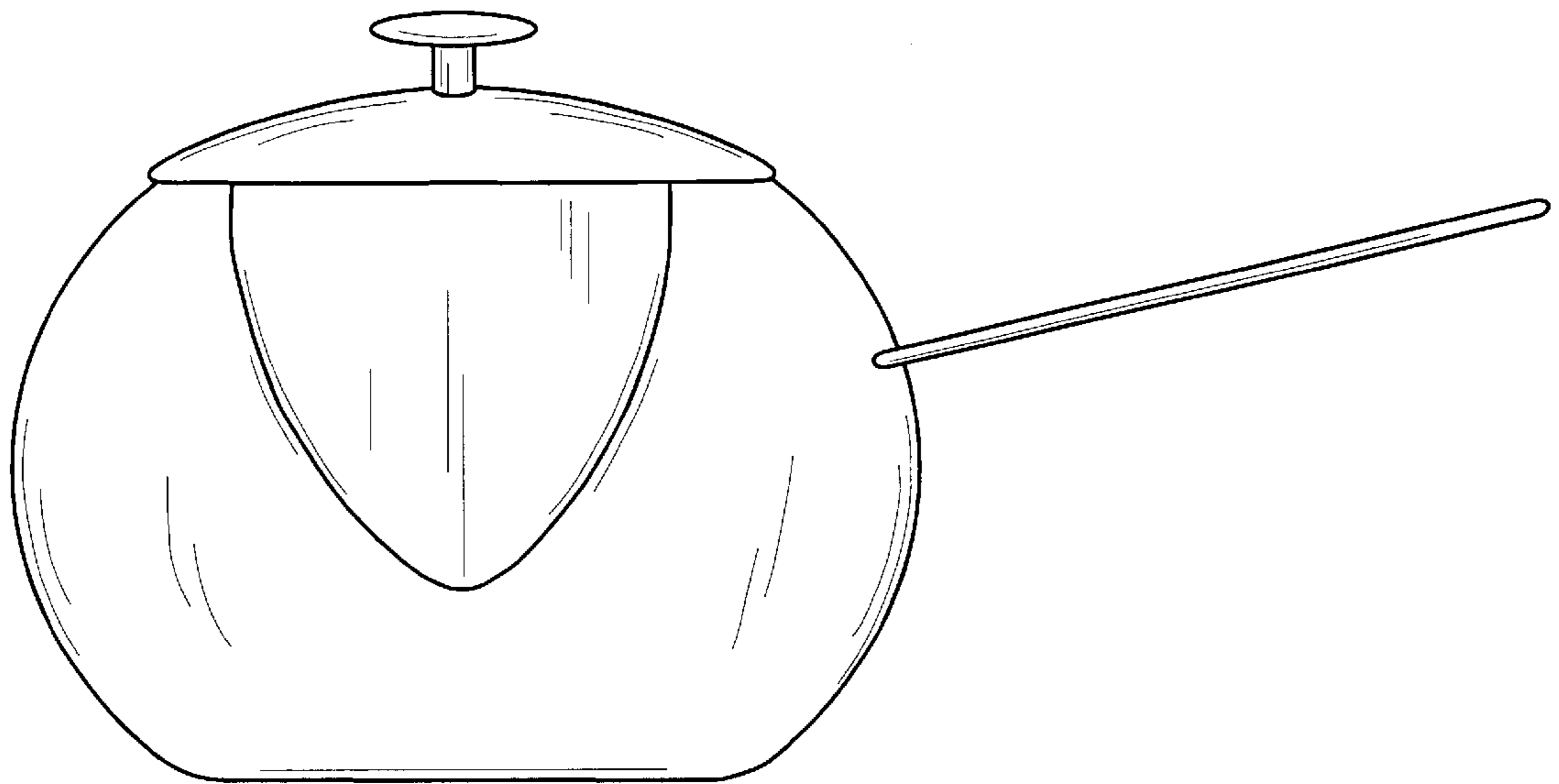


FIG. 2

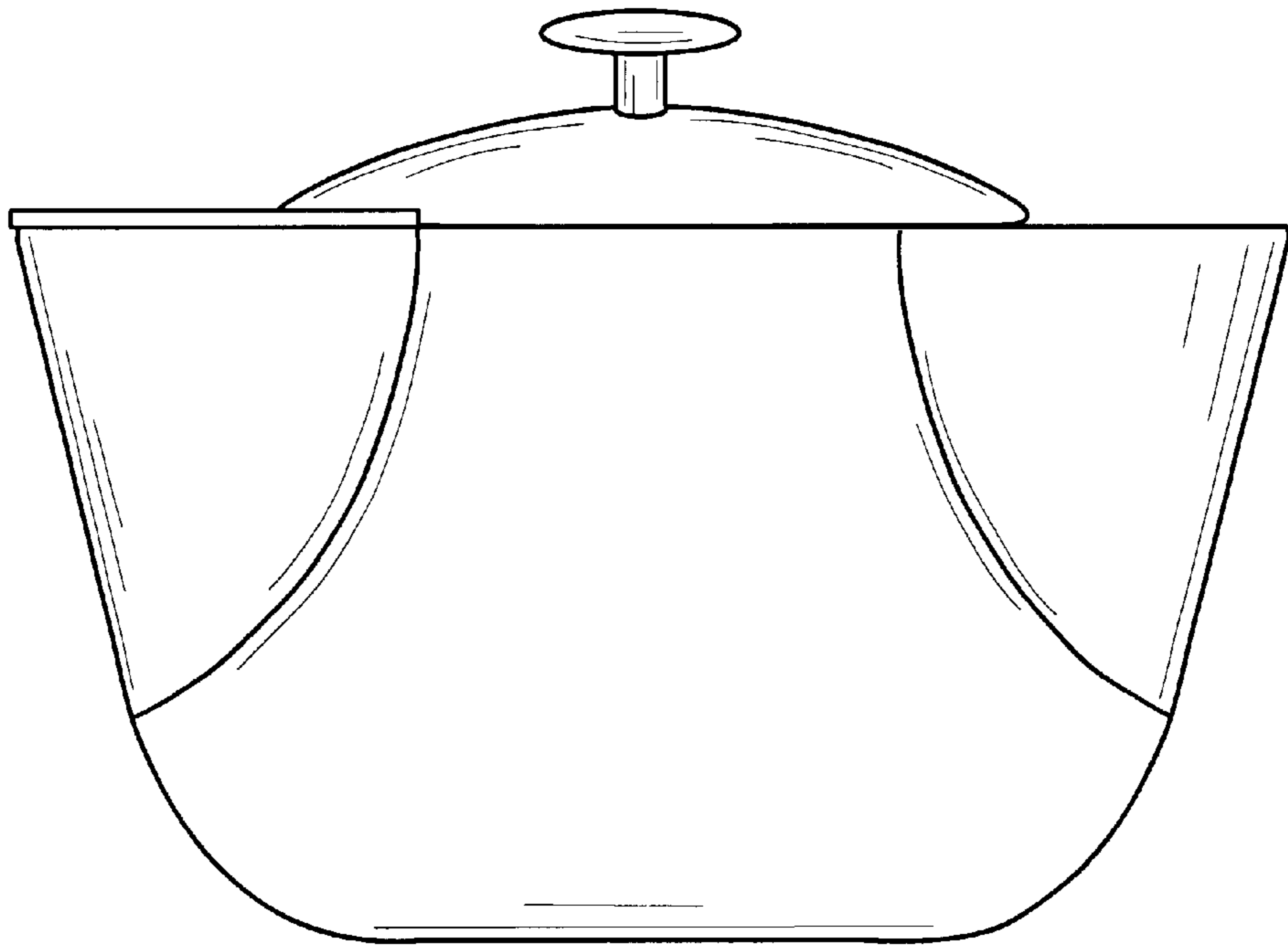


FIG. 3

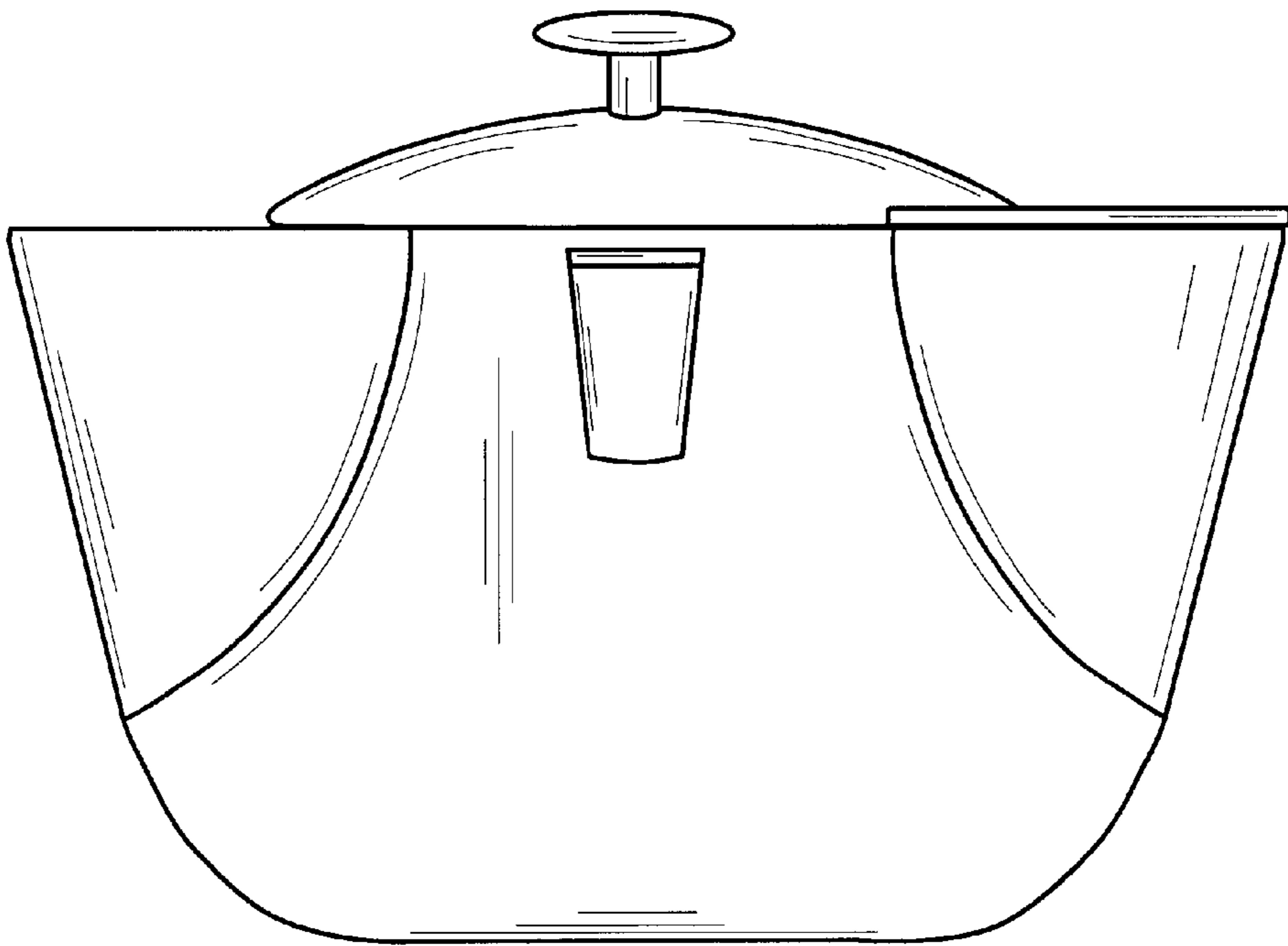


FIG. 4

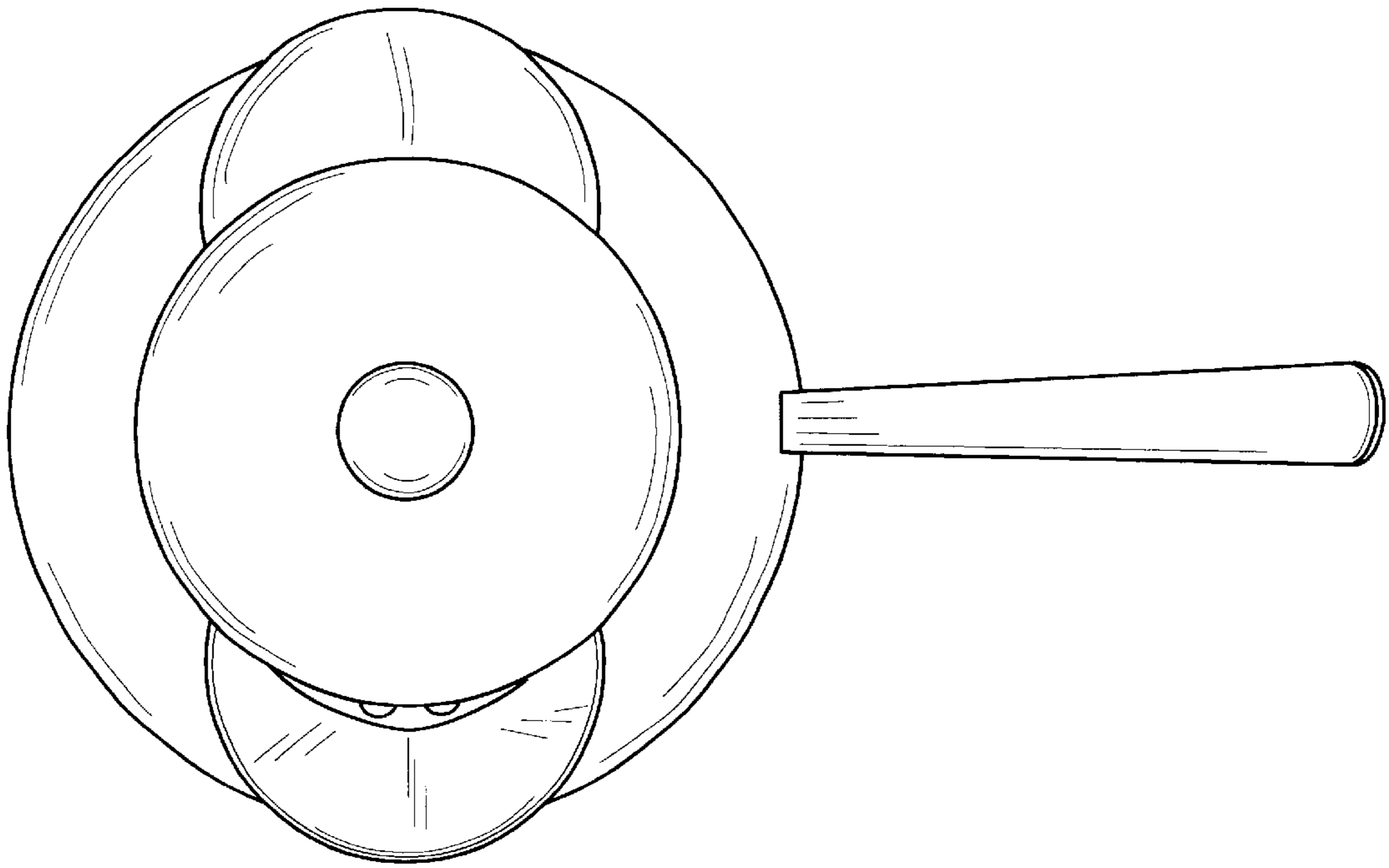


FIG. 5

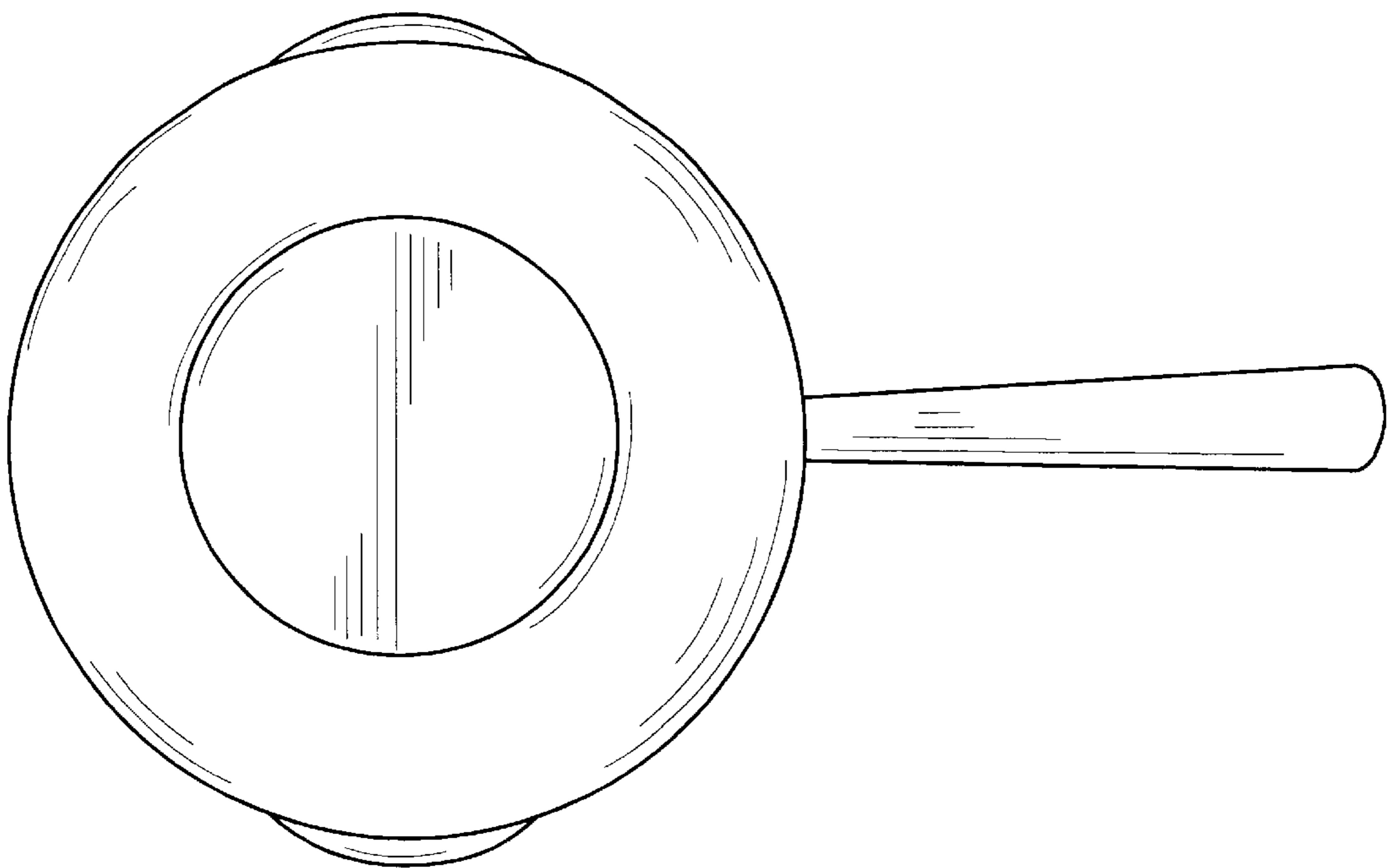


FIG. 6

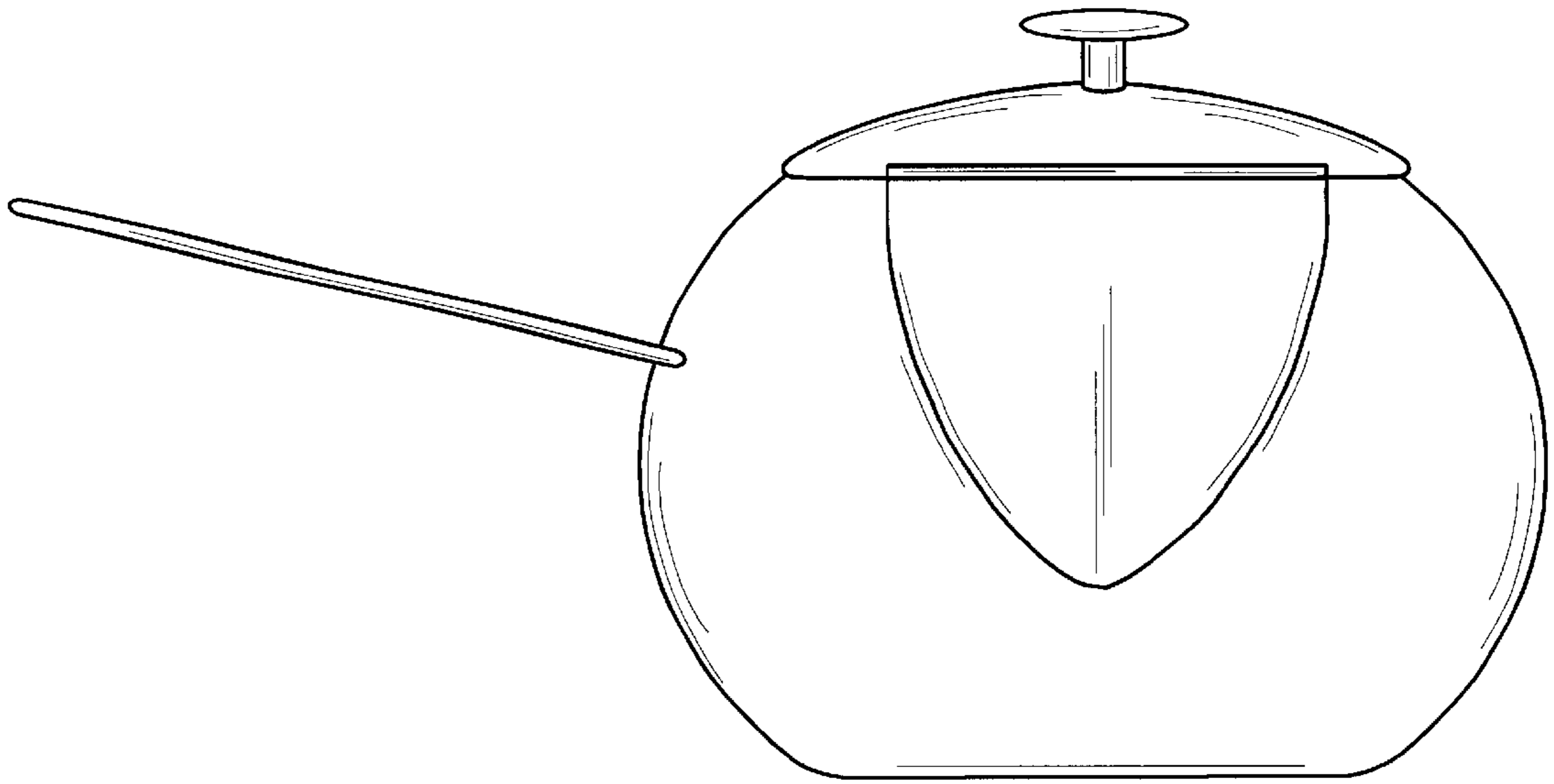


FIG. 7

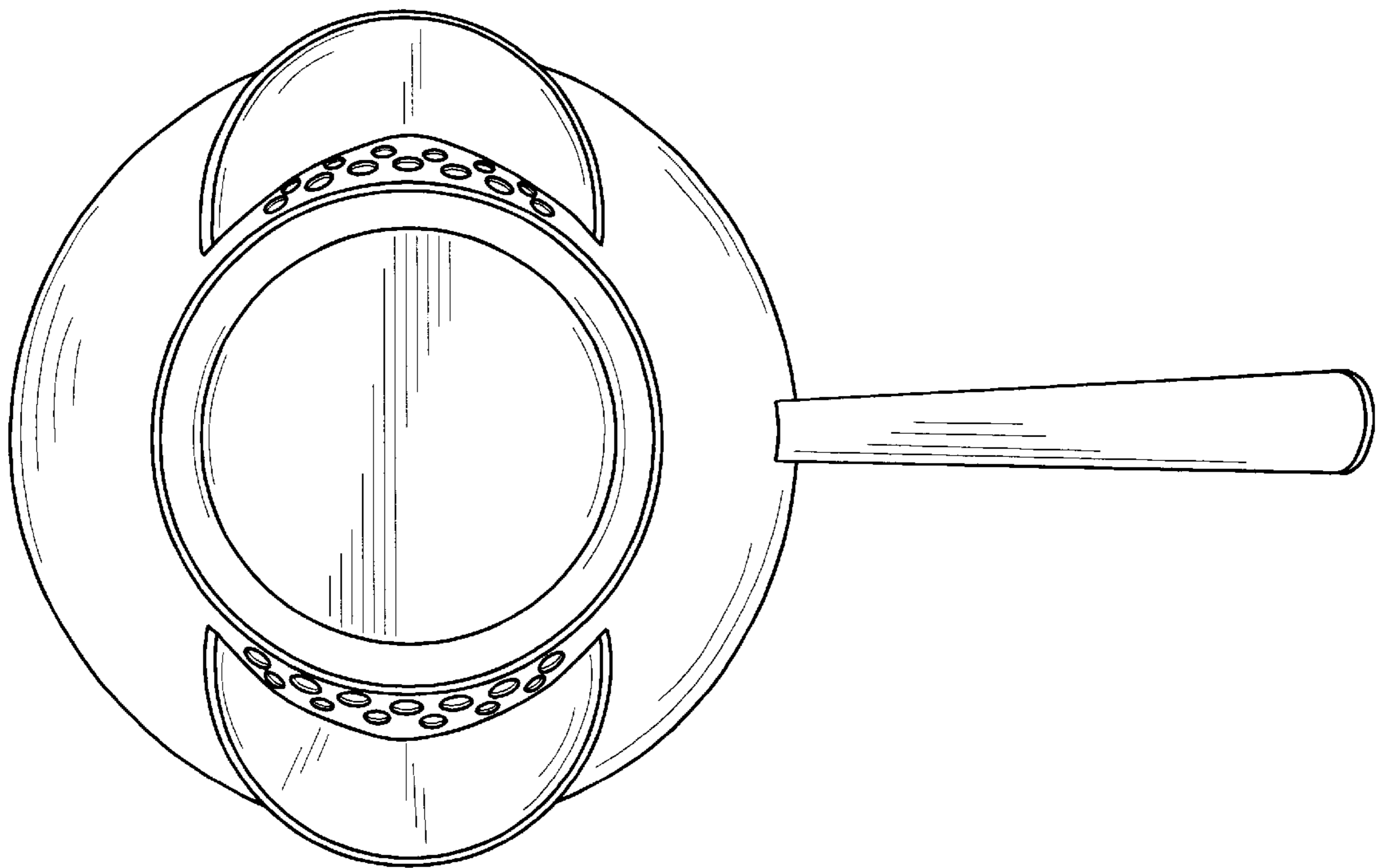


FIG. 8

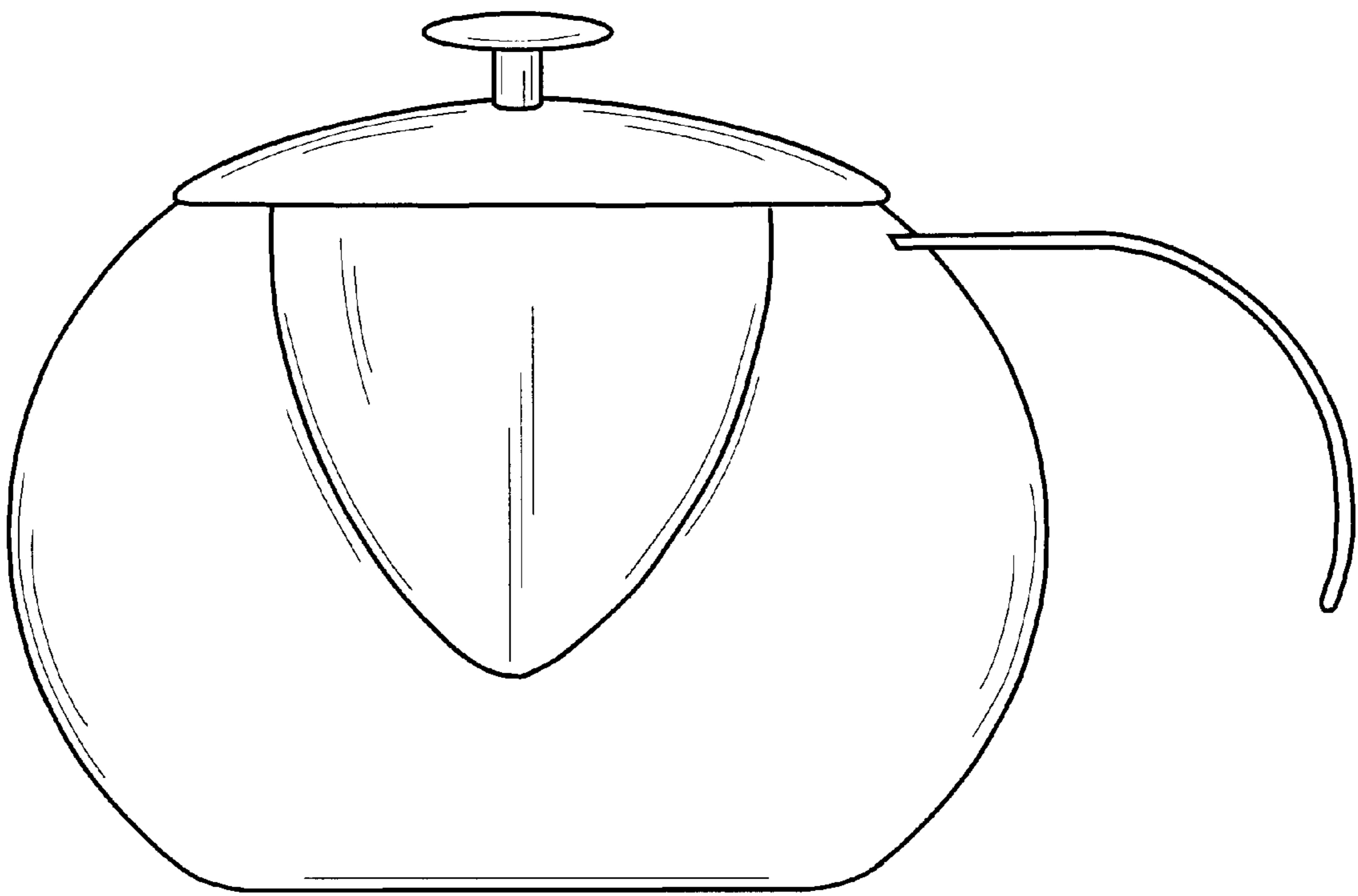


FIG. 9

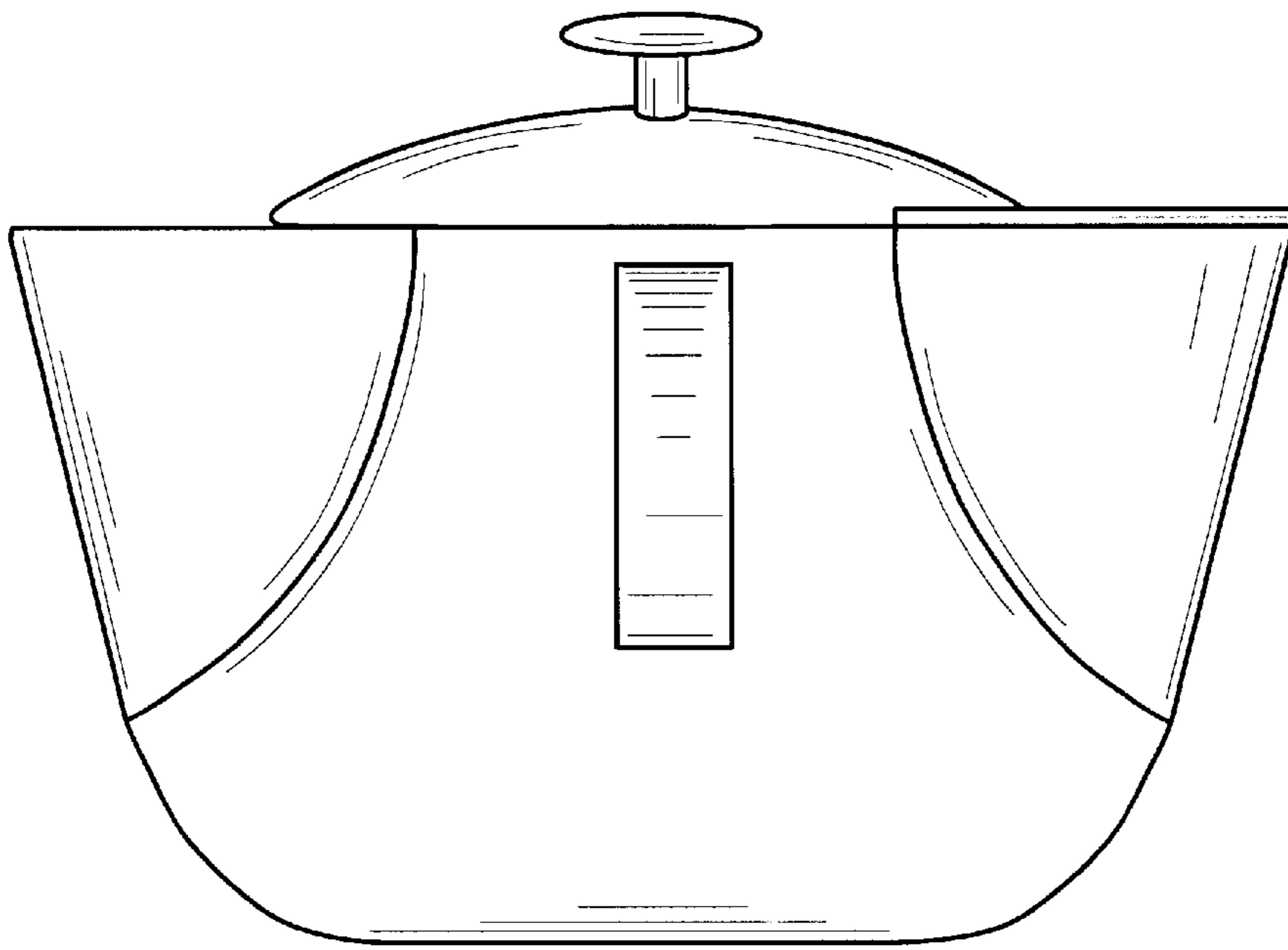


FIG. 10

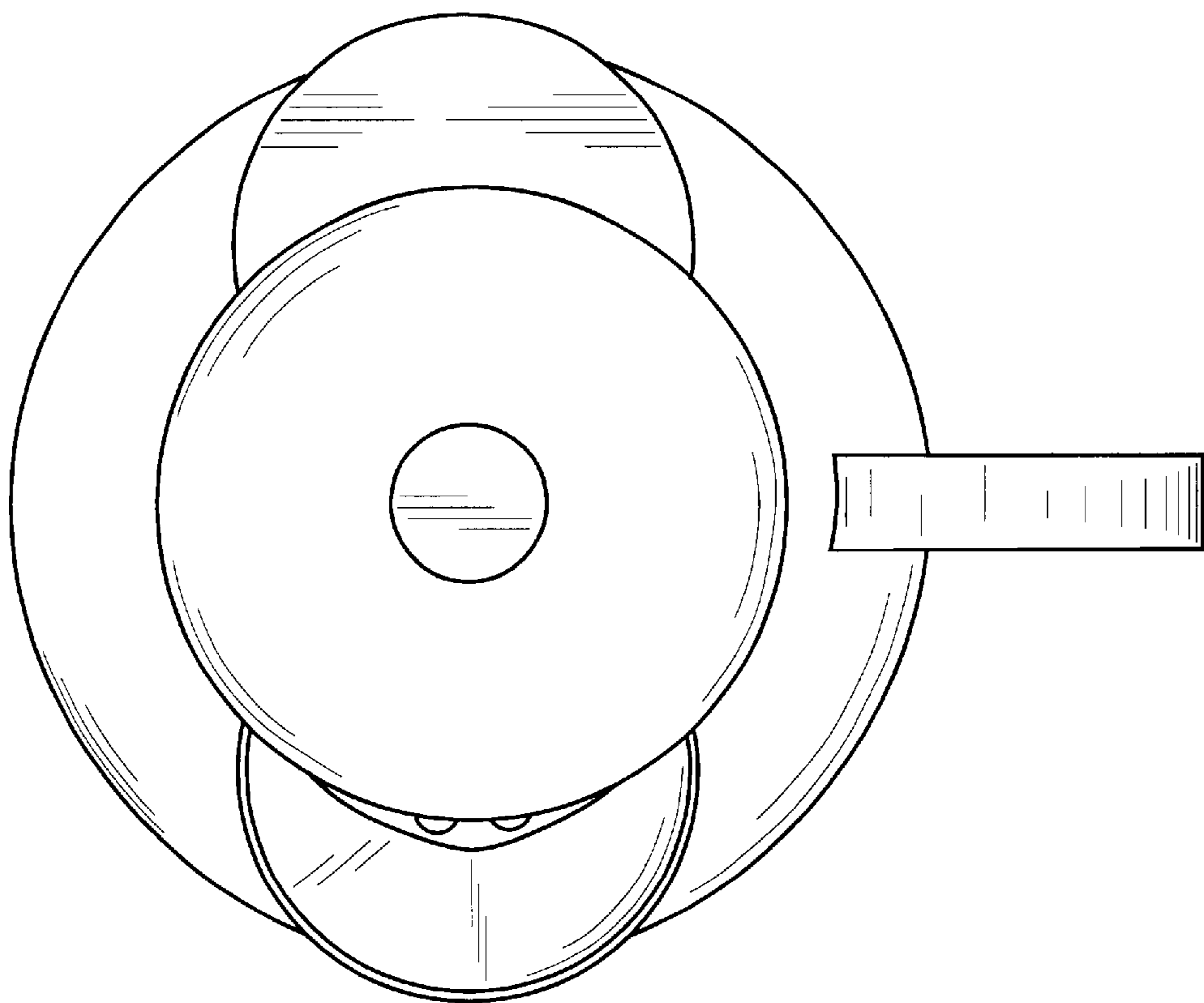


FIG. 11