



US00D443169S

(12) **United States Design Patent**  
**Sankey et al.**

(10) **Patent No.:** **US D443,169 S**

(45) **Date of Patent:** **\*\* Jun. 5, 2001**

(54) **STORAGE CONTAINER FOR RECORDED MEDIA DISK**

(76) Inventors: **James K. Sankey**, 7494 Mannheim Ct., Hudson, OH (US) 44236; **Ronald M. Marsilio**, 7100 Deertrail Ave., Canton, OH (US) 44721; **James M. Byrne**, 8556 Kellydale, NW., Massillon, OH (US) 44646

(\*\*) Term: **14 Years**

(21) Appl. No.: **29/111,910**

(22) Filed: **Oct. 6, 1999**

**Related U.S. Application Data**

(63) Continuation of application No. 29/110,075, filed on Aug. 30, 1999, now abandoned.

(51) **LOC (7) Cl.** ..... **06-04**

(52) **U.S. Cl.** ..... **D6/632; D6/407; D6/634**

(58) **Field of Search** ..... D3/201; D6/407, D6/408, 626-635, 124; D14/26, 27; D19/32, 33, 74, 89; D27/340, 360; 40/626, 771, 775, 307; 150/149; 132/312; 206/307, 308.1, 308.3, 309, 311, 312, 313, 387.13, 396, 408, 730; 229/67.1, 68.1, 70-72

(56) **References Cited**

**U.S. PATENT DOCUMENTS**

- D. 350,867 \* 9/1994 Lim ..... D6/627
- D. 351,963 \* 11/1994 Lim ..... D6/631
- D. 387,217 \* 12/1997 Lakoski et al. .... D6/407
- D. 414,646 \* 10/1999 Ouguergouz ..... D6/634
- 3,547,342 \* 12/1970 Smith et al. .... 206/309
- 4,387,807 \* 6/1983 Rosa ..... 206/312
- 4,879,710 \* 11/1989 Iijima ..... 369/291
- 5,682,992 \* 11/1997 Hunt et al. .... 206/309
- 5,713,463 \* 2/1998 Lakoski et al. .... 206/308.1
- 5,715,938 \* 2/1998 Cheris et al. .... 206/308.1

\* cited by examiner

*Primary Examiner*—Celia Murphy

(74) *Attorney, Agent, or Firm*—Sand & Sebolt

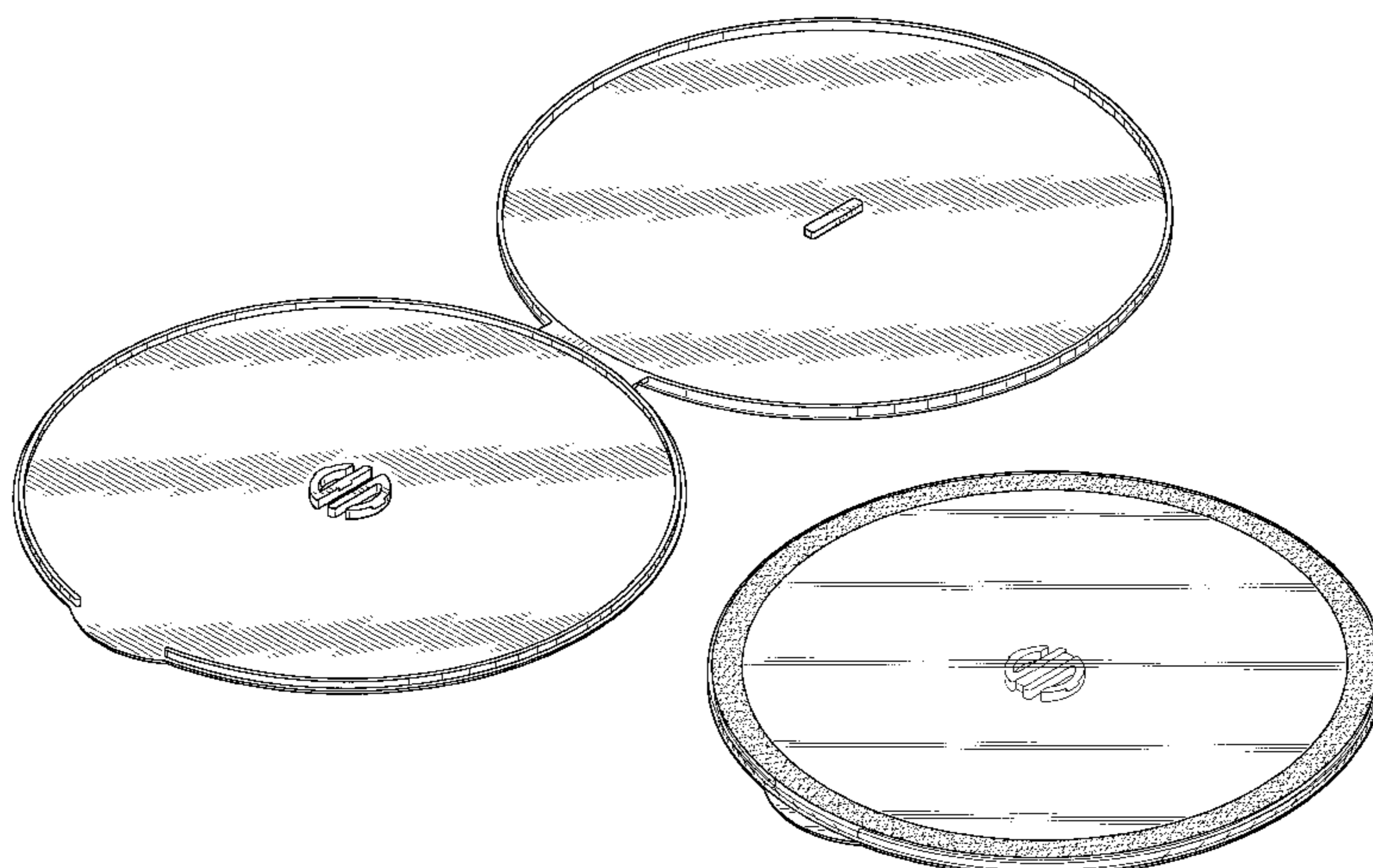
(57) **CLAIM**

The ornamental design for a storage container for recorded media disk, as shown and described.

**DESCRIPTION**

FIG. 1 is a perspective view of a storage container for a recorded media disk showing our new design;  
 FIG. 2 is a top plan view of the storage container for recorded media disk;  
 FIG. 3 is a bottom plan view of FIG. 2;  
 FIG. 4 is a front elevational view of FIG. 2;  
 FIG. 5 is a rear elevational view of FIG. 2;  
 FIG. 6 is a right side elevational view of FIG. 2;  
 FIG. 7 is a left side elevational view of FIG. 2;  
 FIG. 8 is a perspective view of a storage container for recorded media disk showing a first modified design;  
 FIG. 9 is a top plan view of the first modified design of the storage container for recorded media disk;  
 FIG. 10 is a bottom plan view of FIG. 9;  
 FIG. 11 is a front elevational view of FIG. 9;  
 FIG. 12 is a rear elevational view of FIG. 9;  
 FIG. 13 is a right side elevational view of FIG. 9;  
 FIG. 14 is a left side elevational view of FIG. 9;  
 FIG. 15 is a perspective view of FIG. 9 shown in a closed position;  
 FIG. 16 is a top plan view of FIG. 15;  
 FIG. 17 is a bottom plan view of FIG. 16;  
 FIG. 18 is a front elevational view of FIG. 16;  
 FIG. 19 is a rear elevational view of FIG. 16;  
 FIG. 20 is a right side elevational view of FIG. 16;  
 FIG. 21 is a left side elevational view of FIG. 16;  
 FIG. 22 is a perspective view of a second embodiment of the design shown in FIG. 1;  
 FIG. 23 is a top plan view of FIG. 22;  
 FIG. 24 is a bottom plan view of FIG. 23;  
 FIG. 25 is a front elevational view of FIG. 23;  
 FIG. 26 is a rear elevational view of FIG. 23;  
 FIG. 27 is a right side elevational view of FIG. 23; and,  
 FIG. 28 is a left side elevational view of FIG. 23.

**1 Claim, 14 Drawing Sheets**



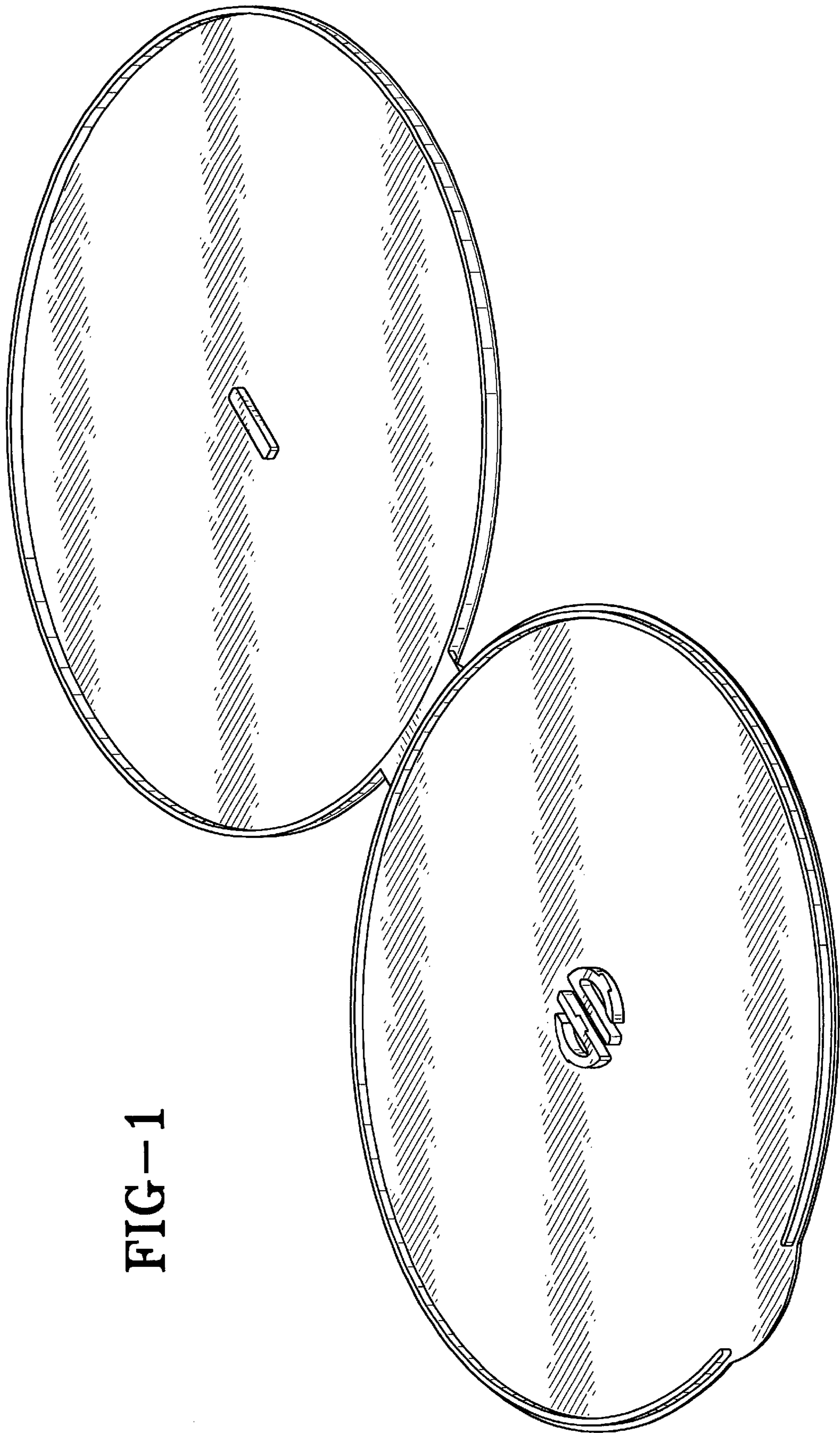


FIG-1

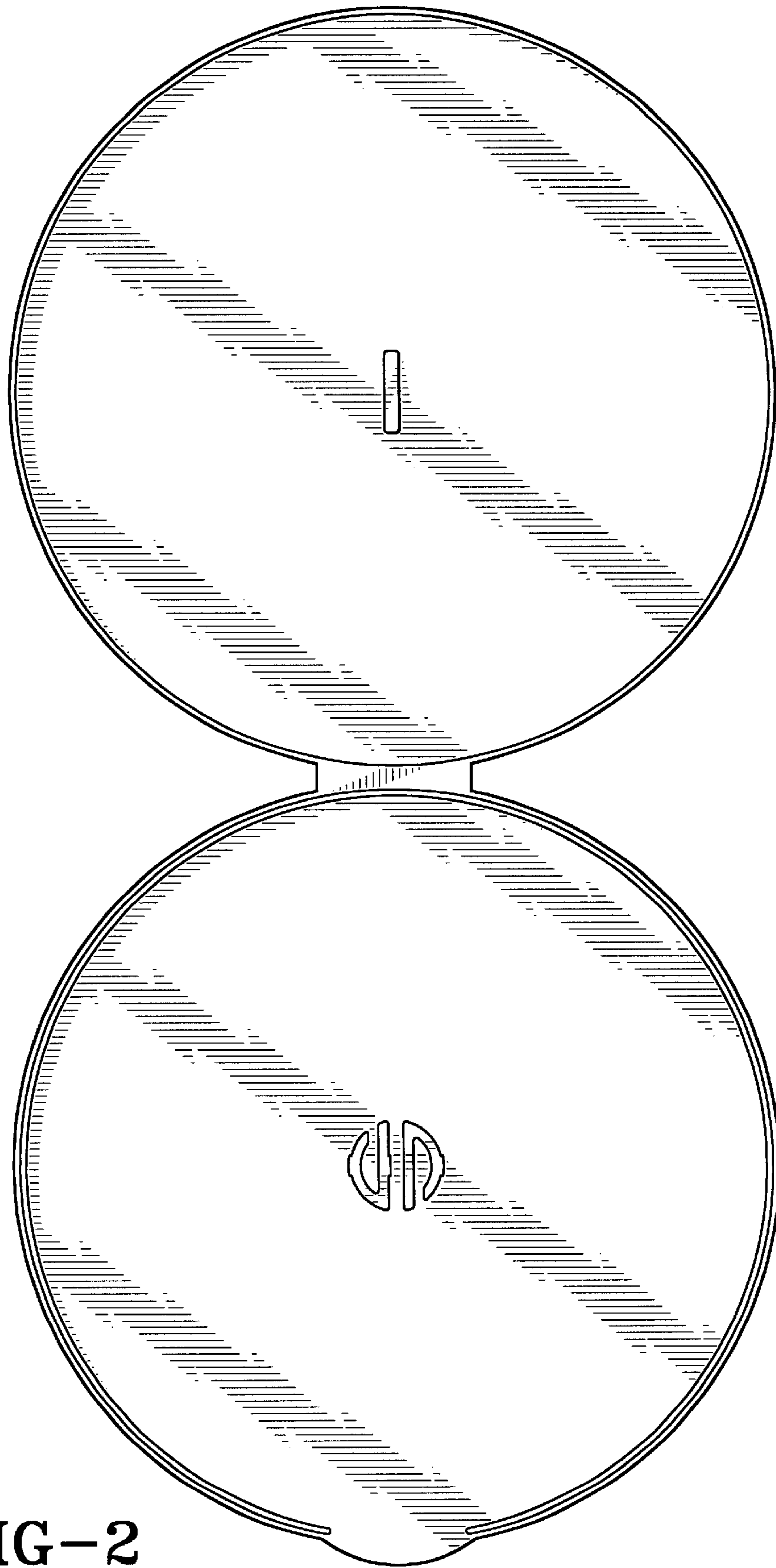
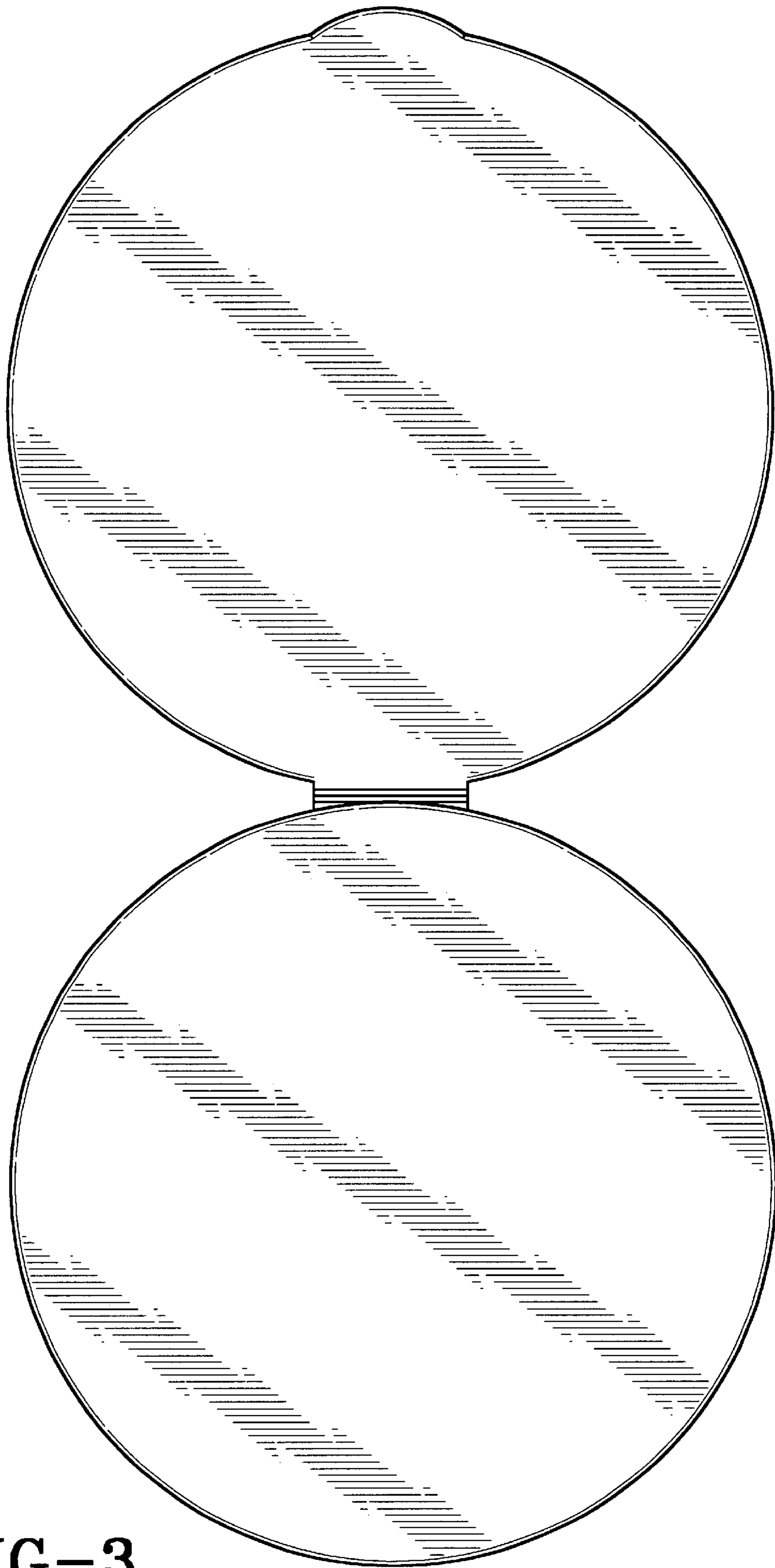


FIG-2



**FIG-3**



FIG-4



FIG-5



FIG-6

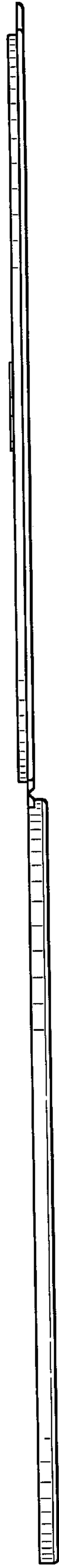


FIG-7

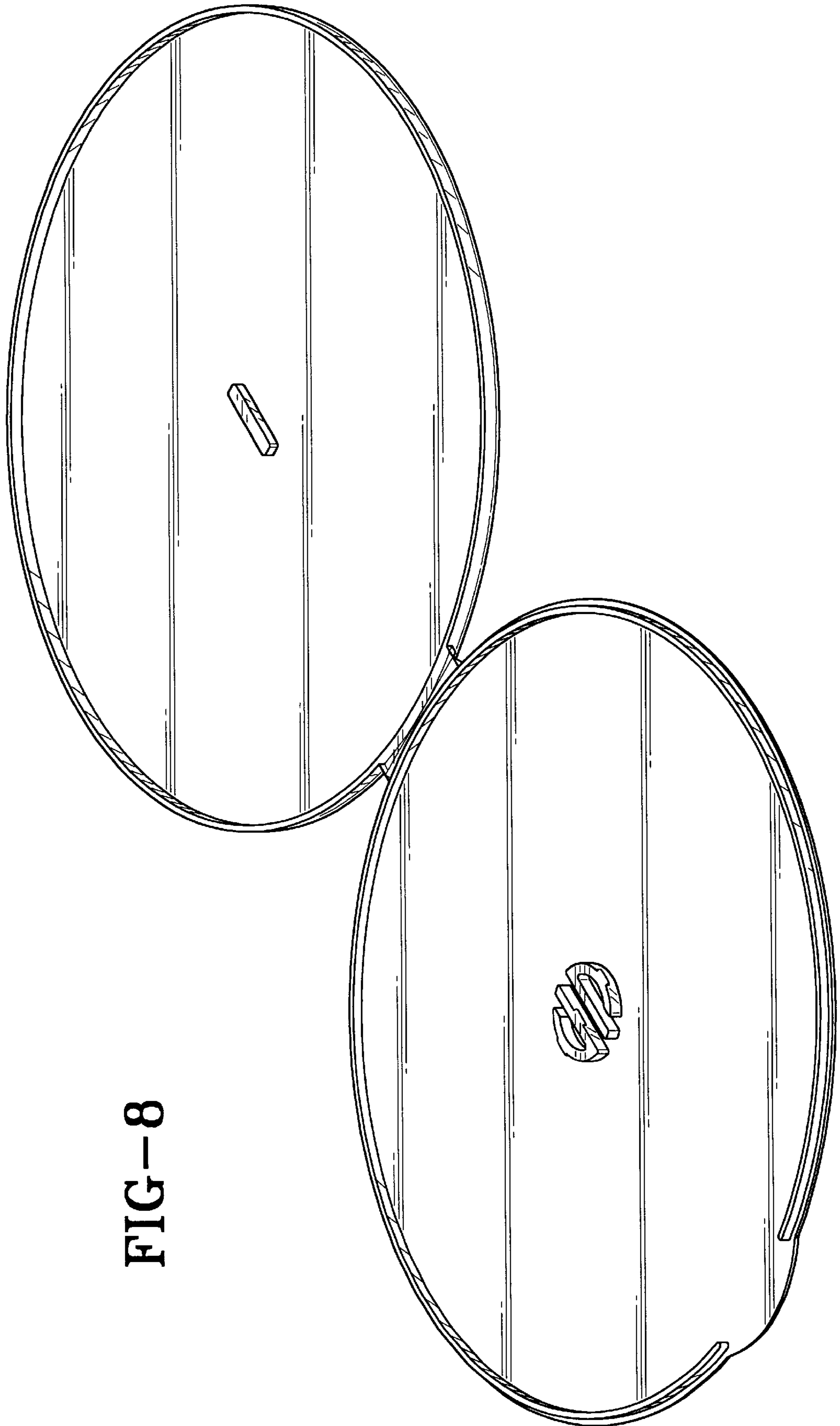


FIG-8

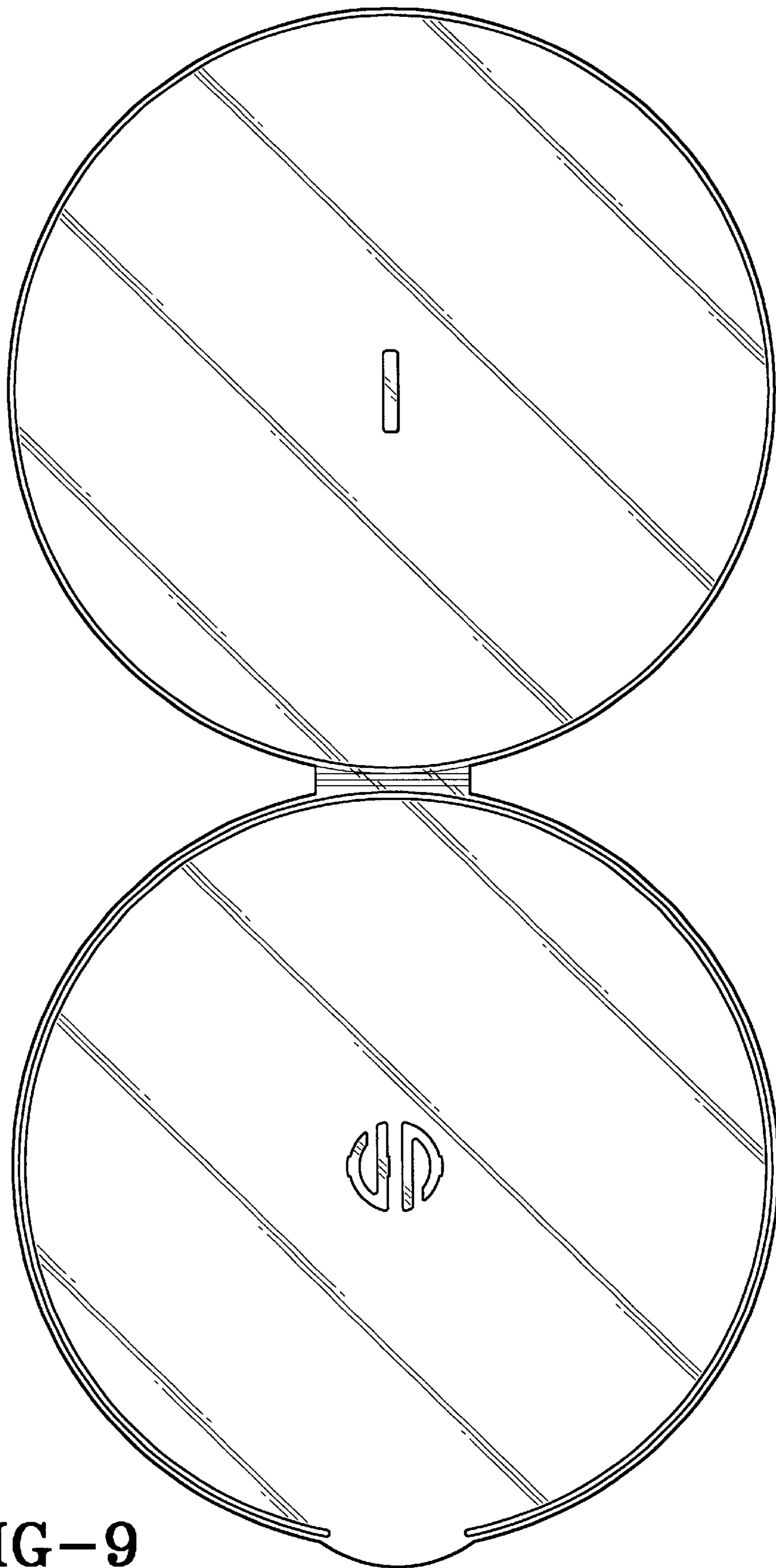


FIG-9

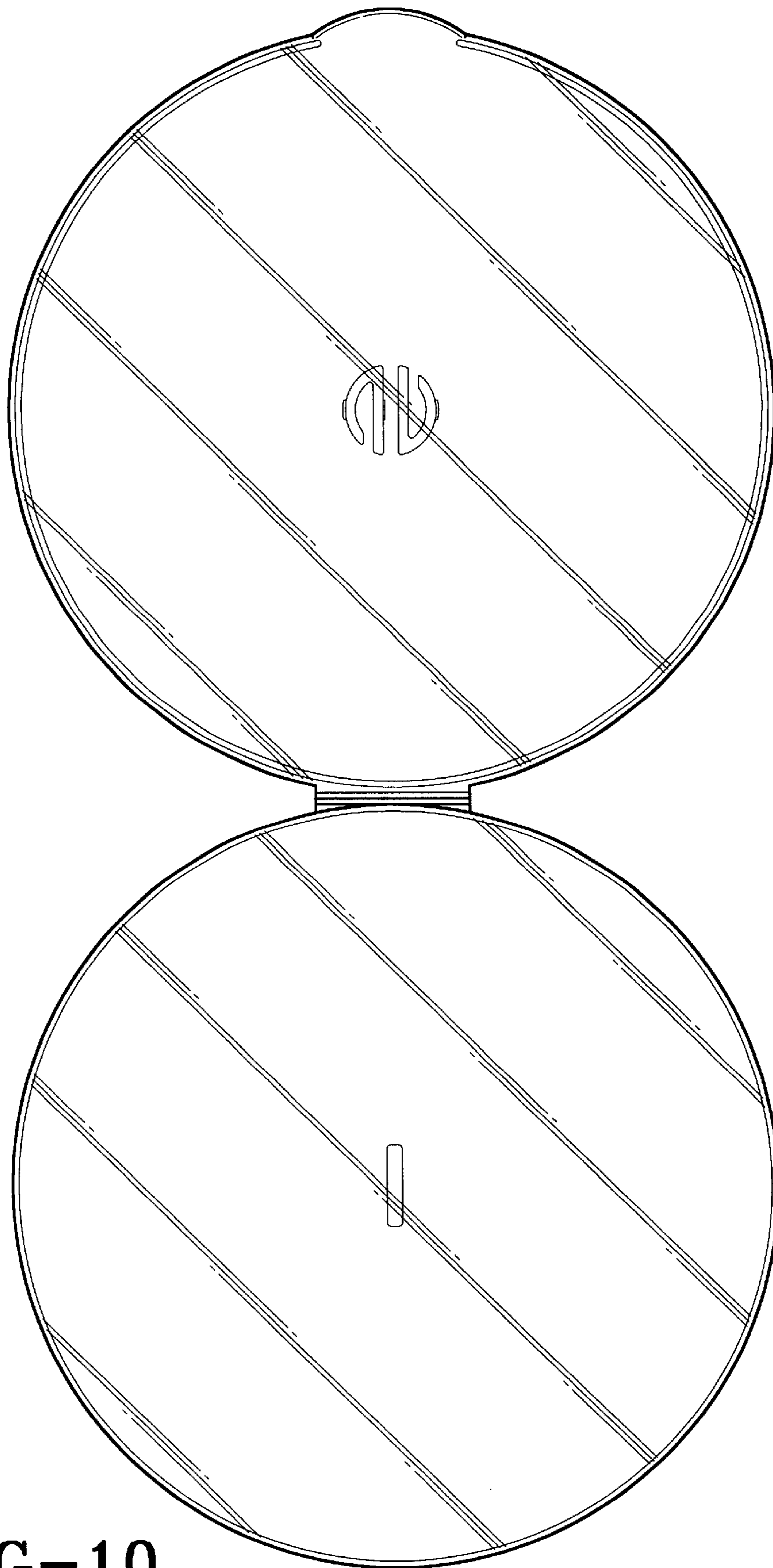


FIG-10





FIG-11



FIG-12



FIG-13



FIG-14

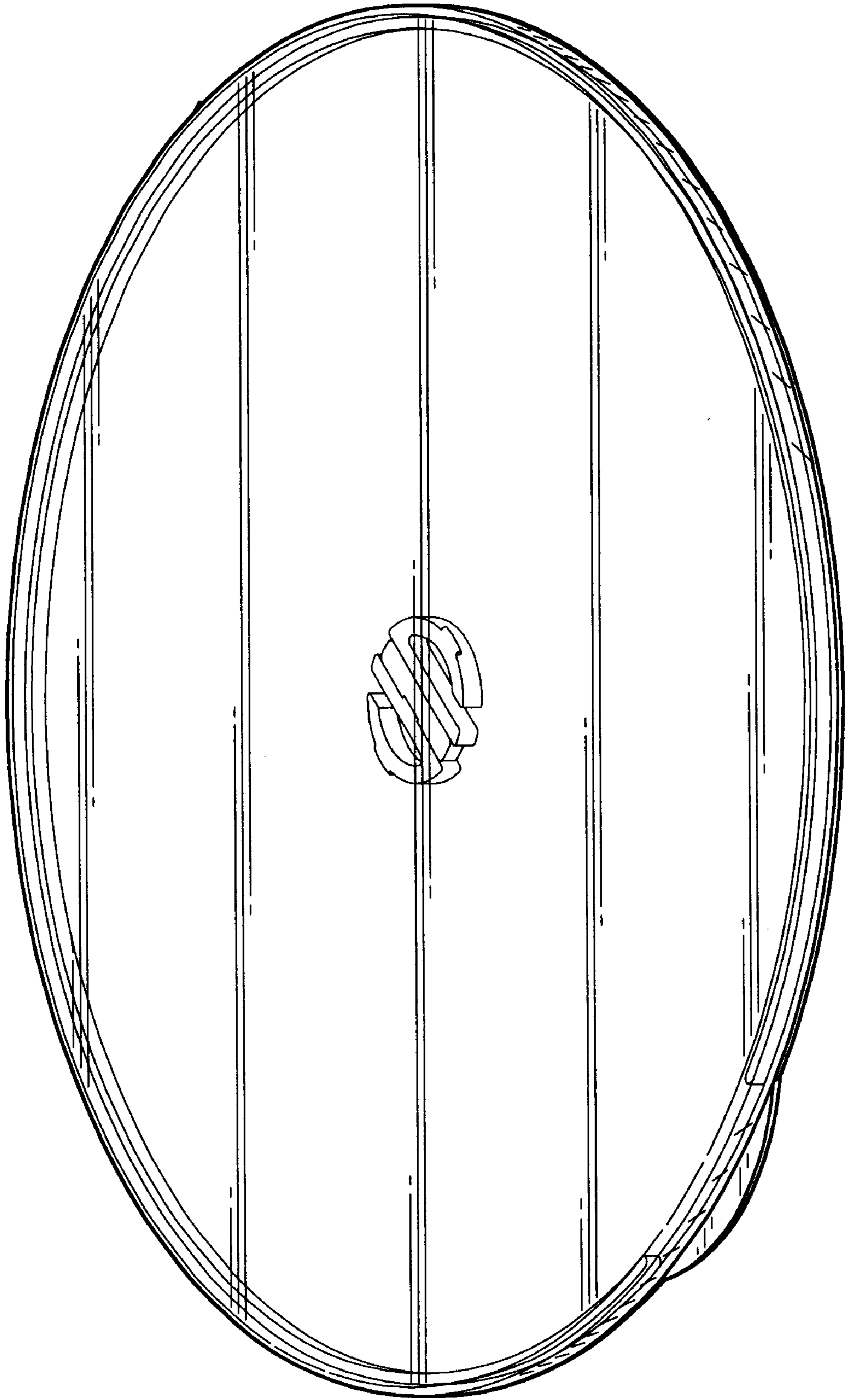


FIG-15

FIG-16

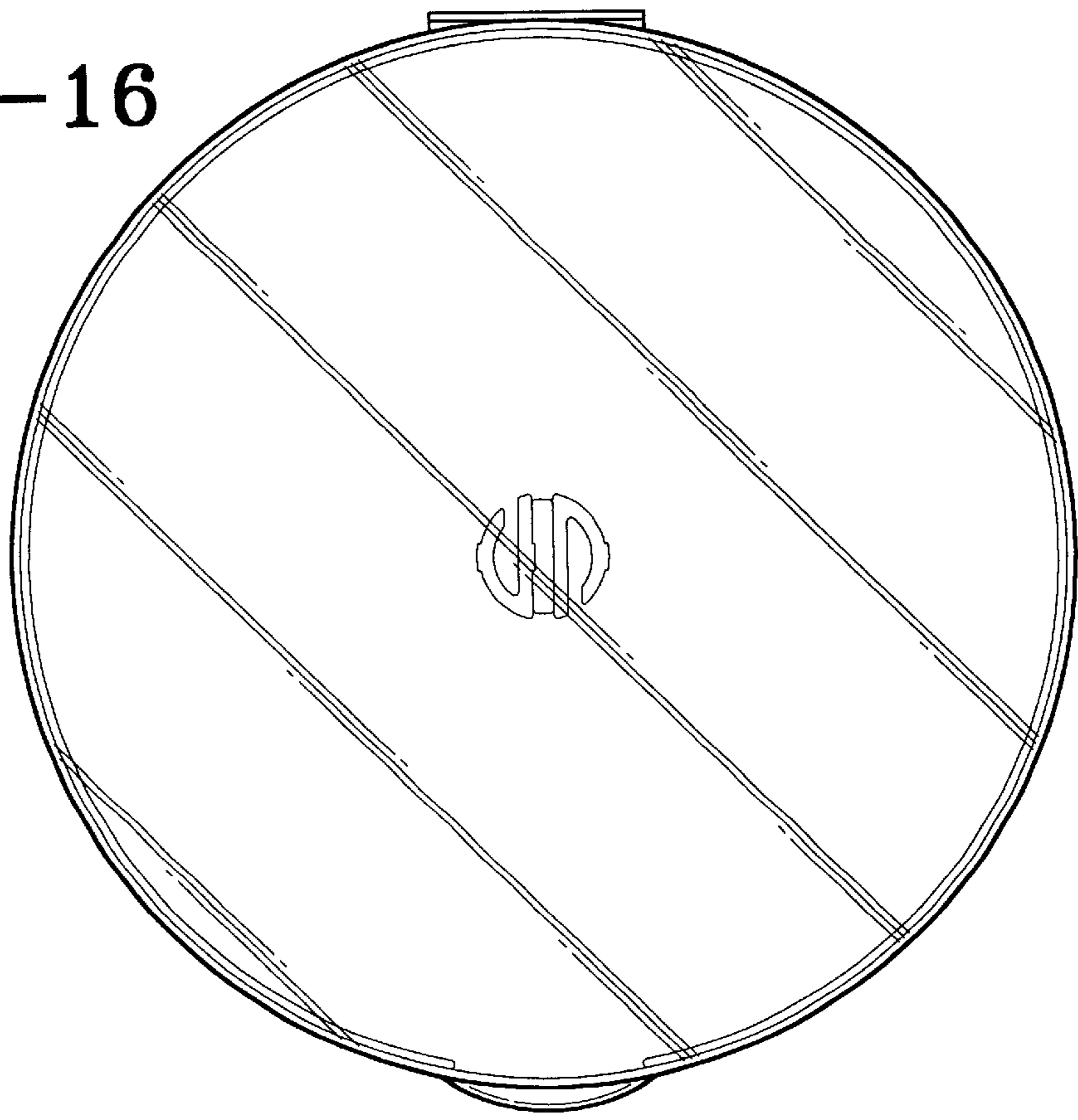


FIG-17

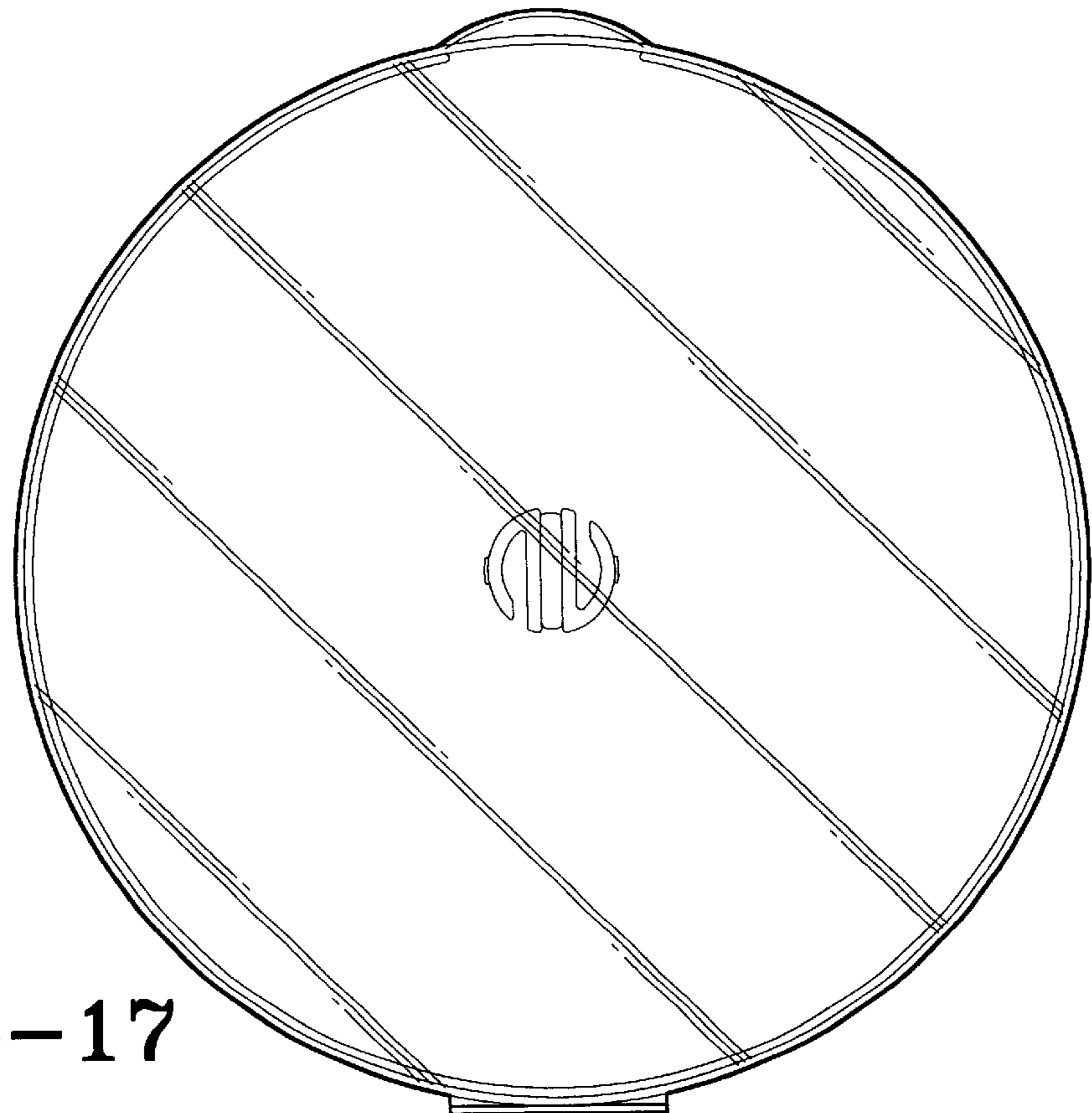




FIG-18



FIG-19



FIG-20



FIG-21

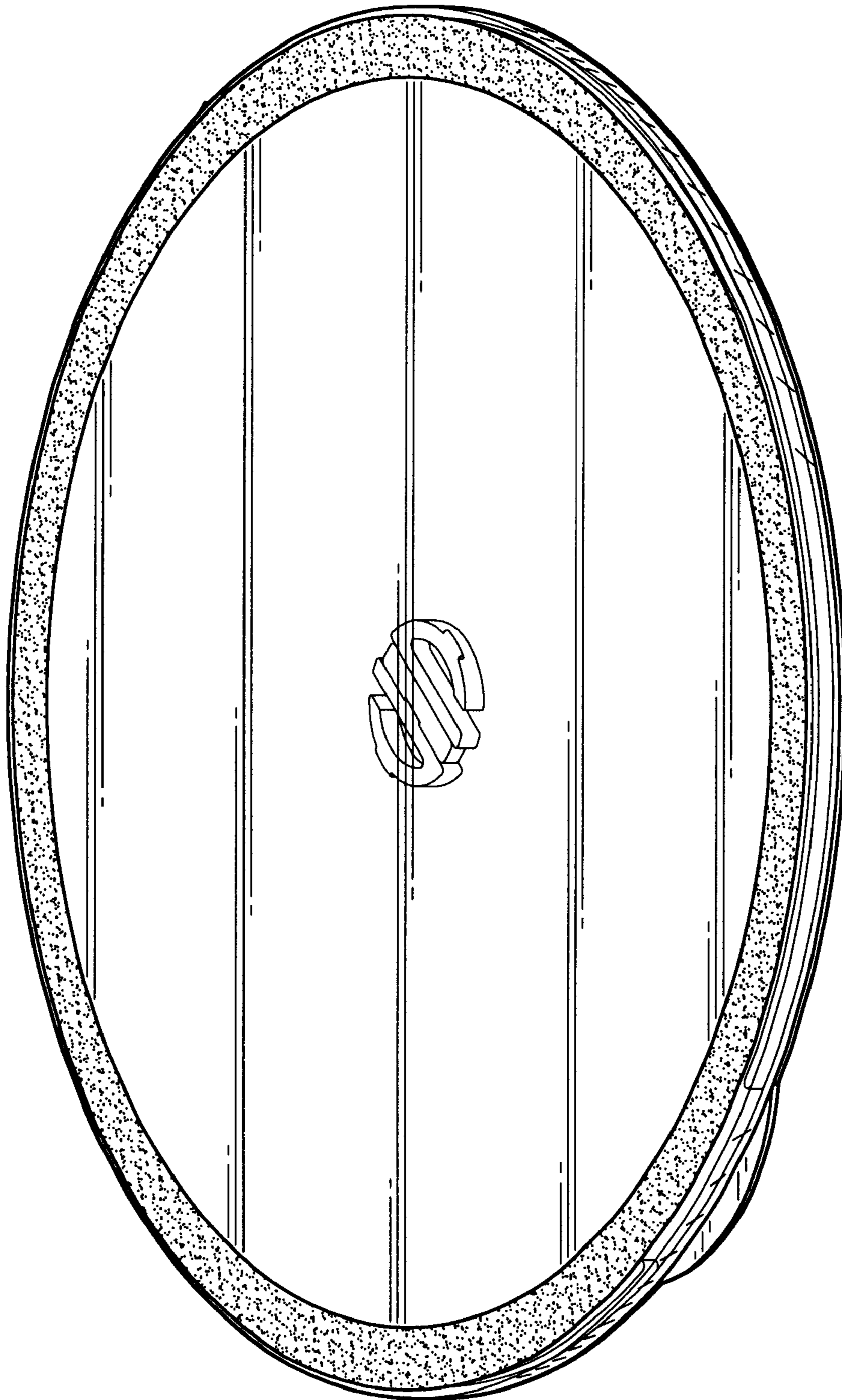


FIG-22

FIG-23

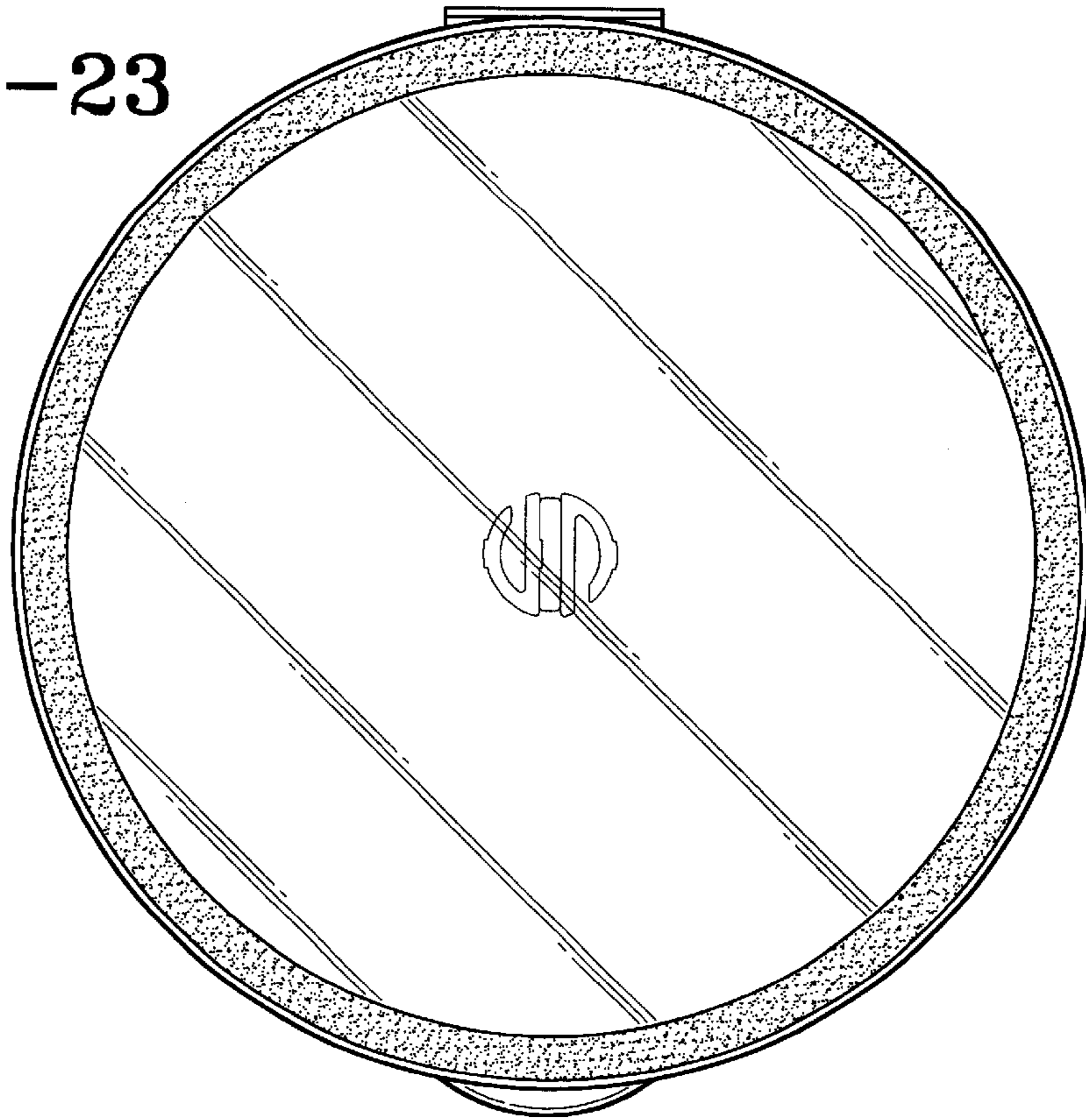


FIG-24

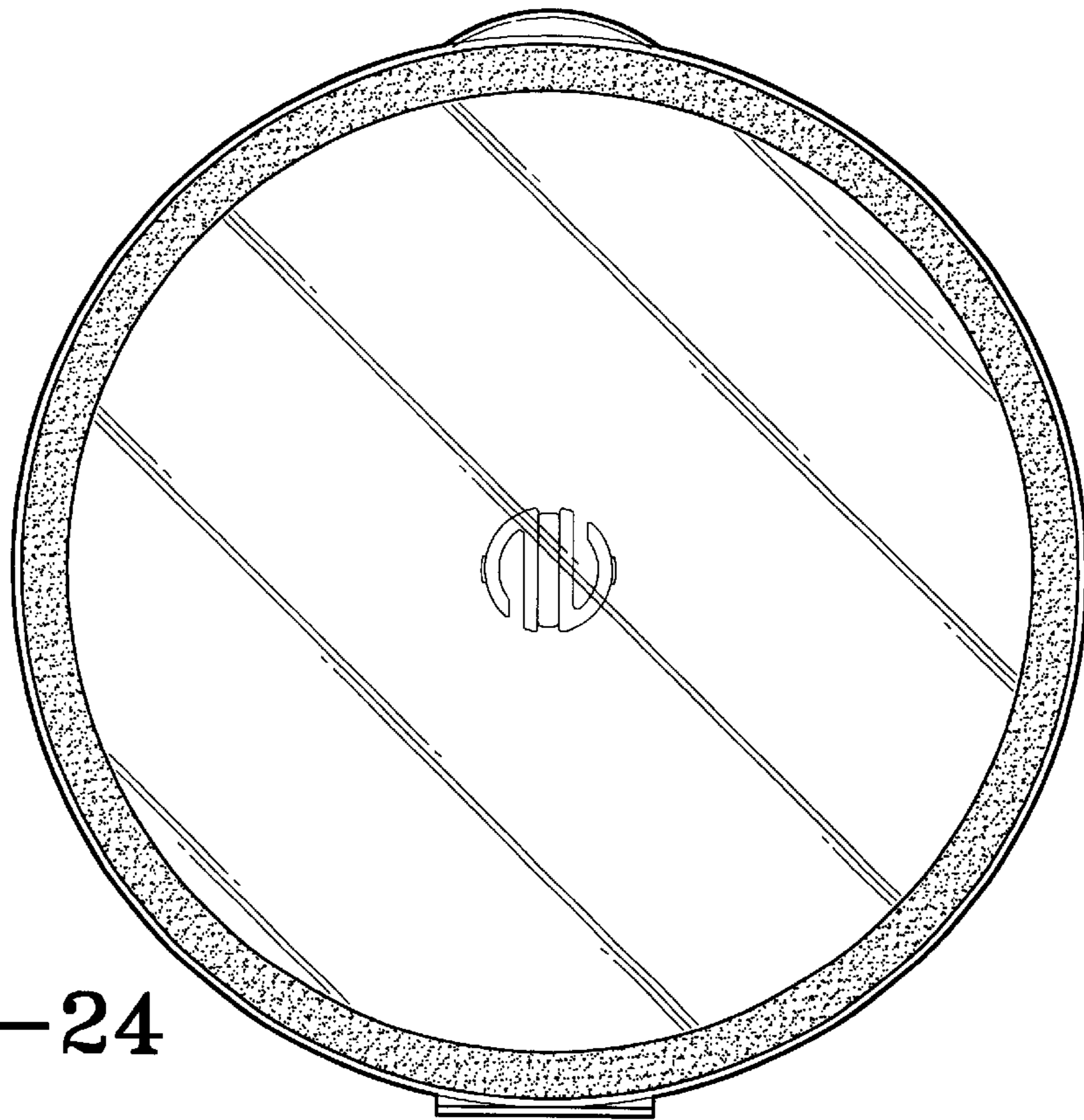




FIG-25



FIG-26



FIG-27



FIG-28