



US00D443164S

(12) **United States Design Patent**
Harwanko

(10) **Patent No.:** **US D443,164 S**

(45) **Date of Patent:** **** Jun. 5, 2001**

(54) **WALL SHELF**

D. 313,523 * 1/1991 Grey D6/560
D. 366,973 * 2/1996 Miller et al. D6/445

(75) **Inventor:** **Jeffrey Brian Harwanko**, Wilmington,
DE (US)

* cited by examiner

(73) **Assignee:** **Zentih Products Corp.**, New Castle,
DE (US)

Primary Examiner—Brian N. Vinson

(74) *Attorney, Agent, or Firm*—Edgar A. Zarins; Lloyd D.
Doigan

(**) **Term:** **14 Years**

(57) **CLAIM**

(21) **Appl. No.:** **29/121,450**

The ornamental design for a wall shelf, as shown and
described.

(22) **Filed:** **Apr. 6, 2000**

(51) **LOC (7) Cl.** **06-04**

(52) **U.S. Cl.** **D6/574; D6/560**

(58) **Field of Search** D6/553, 567, 559,
D6/560, 574, 445, 446; 312/242, 245

DESCRIPTION

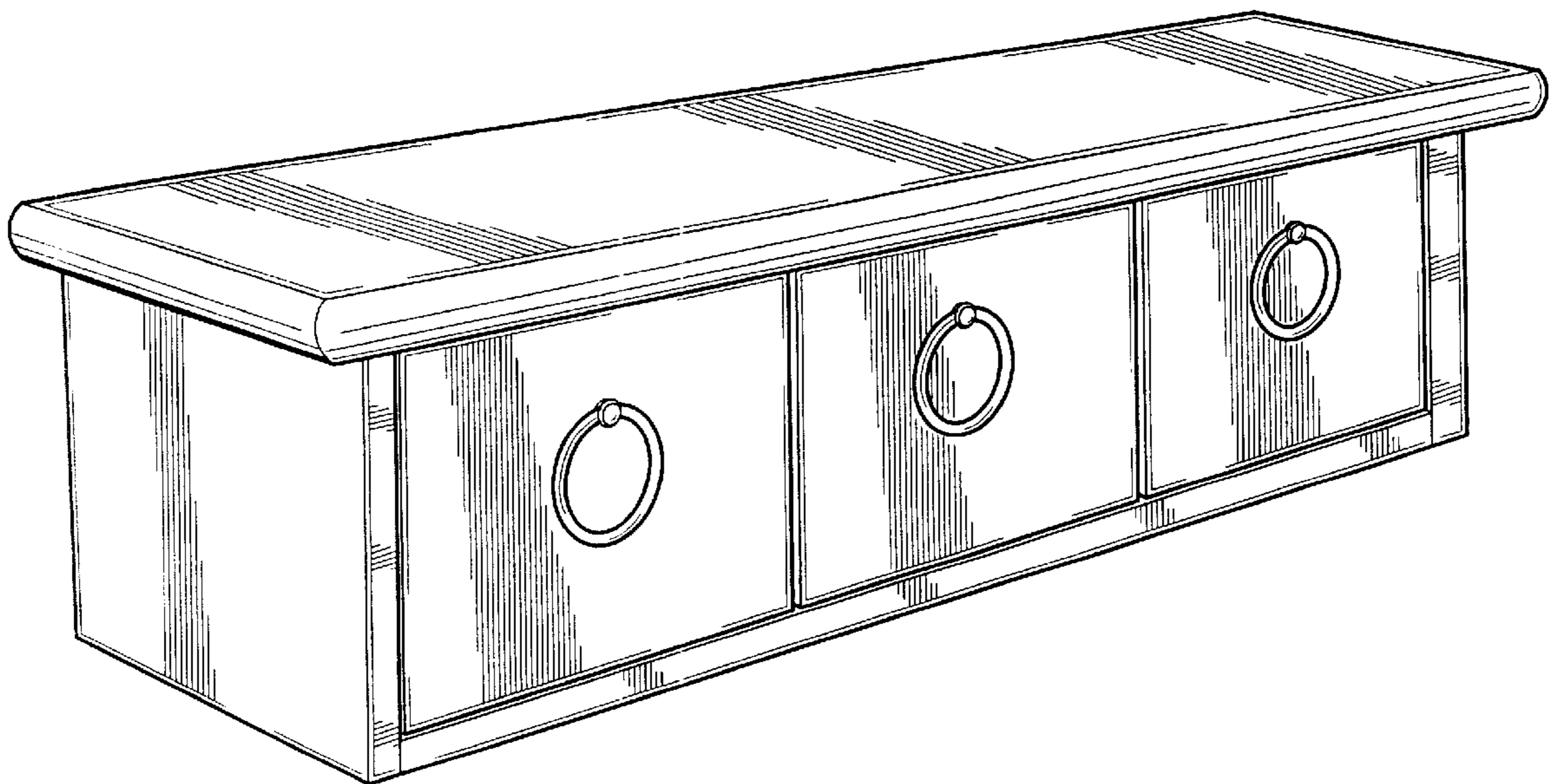
FIG. 1 is a perspective view of a wall shelf showing my new
design;
FIG. 2 is a front elevational view thereof;
FIG. 3 is a right end view thereof, the opposite end being a
mirror image of the end shown;
FIG. 4 is a top plan view thereof;
FIG. 5 is a bottom plan view thereof; and,
FIG. 6 is a rear elevational view thereof.

(56) **References Cited**

U.S. PATENT DOCUMENTS

- D. 150,377 * 7/1948 Spence D6/560
- D. 255,002 * 5/1980 Otero D6/560
- D. 291,633 * 9/1987 Merzon D6/446

1 Claim, 2 Drawing Sheets



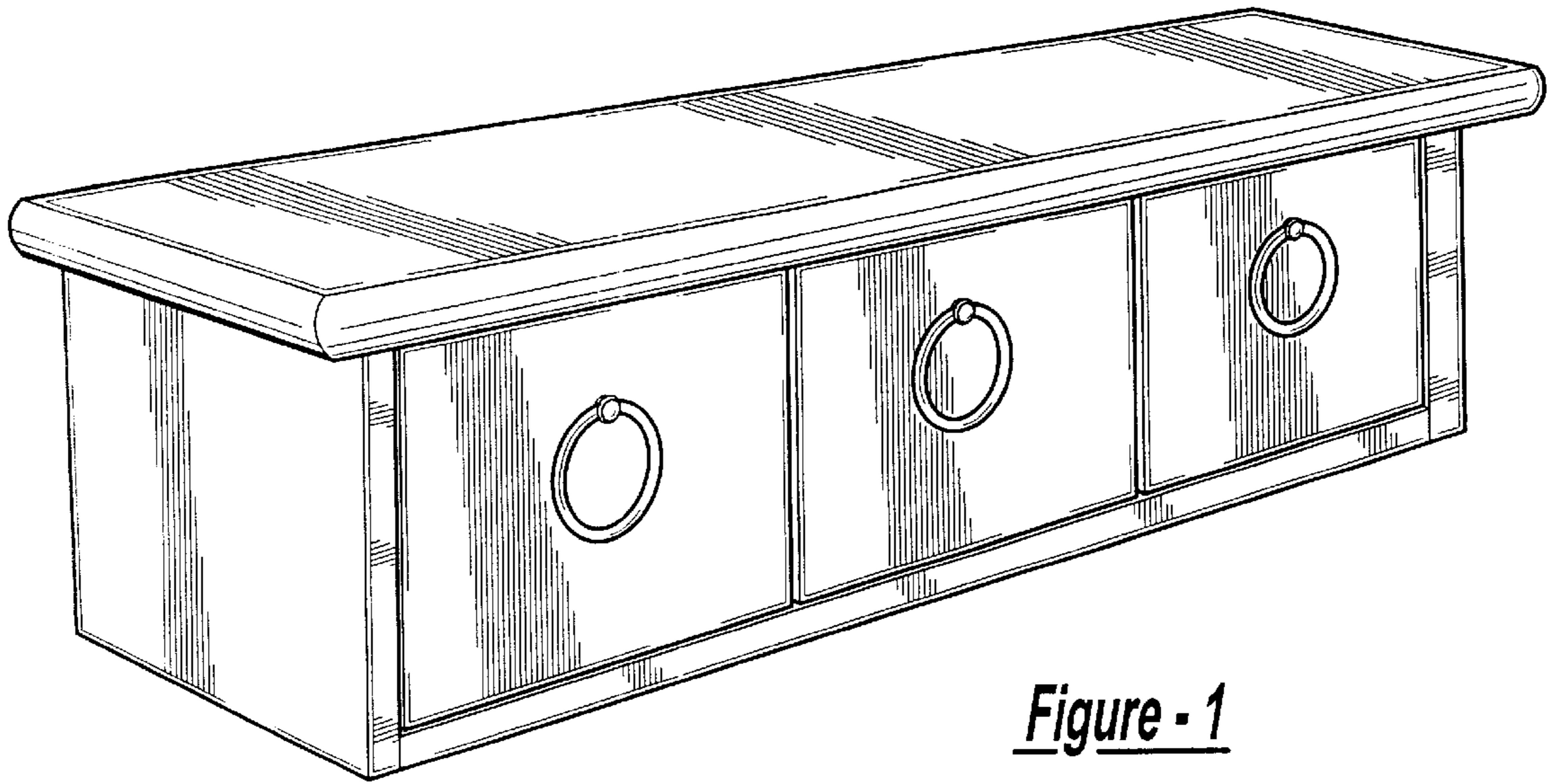


Figure - 1

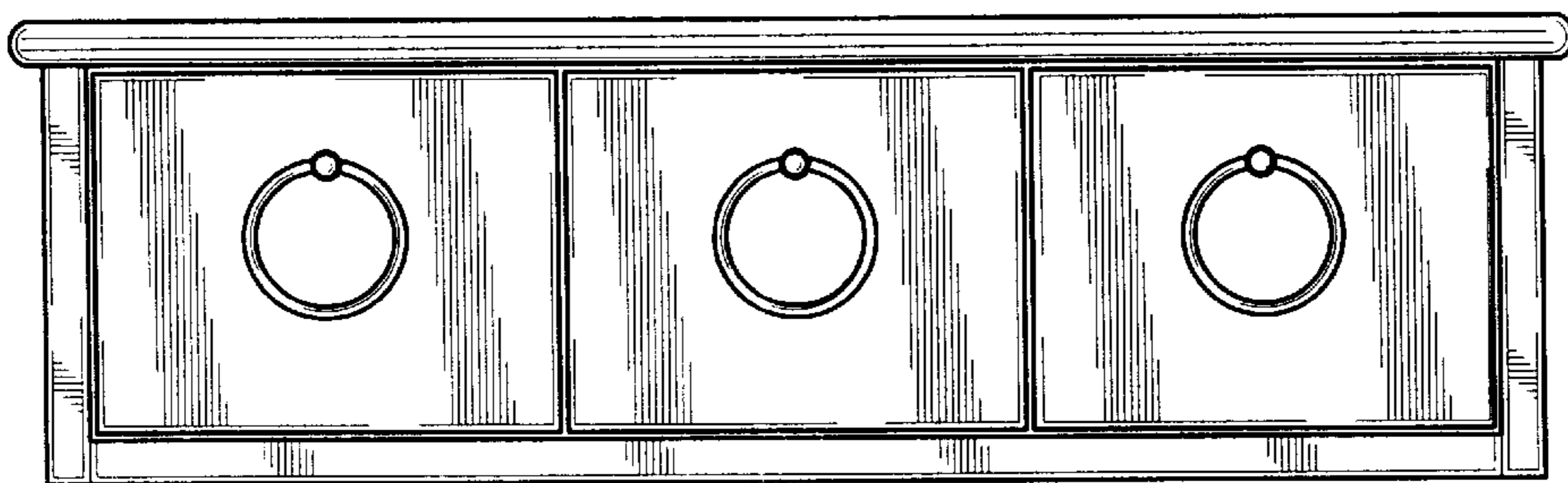


Figure - 2

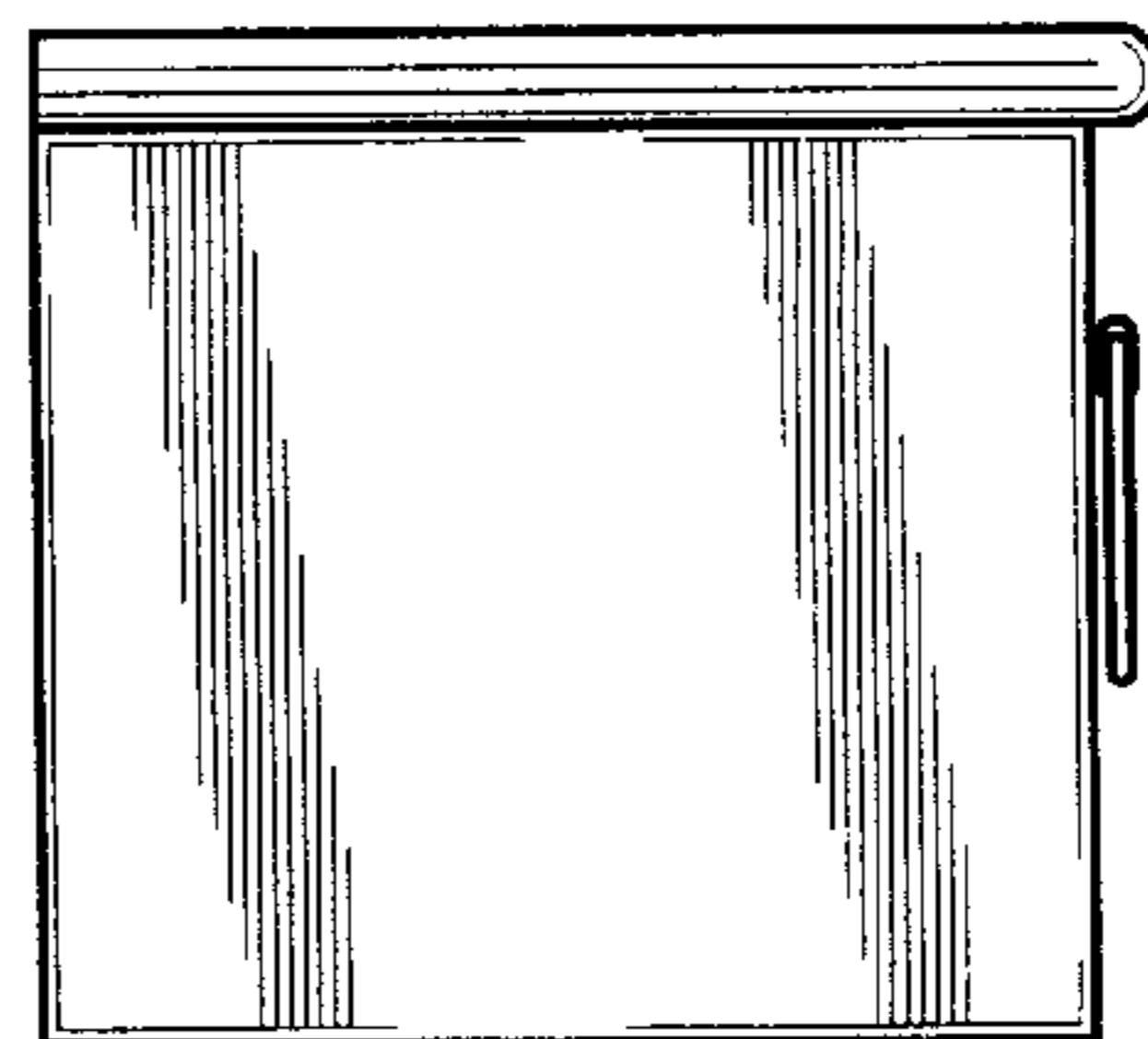


Figure - 3

Figure - 4

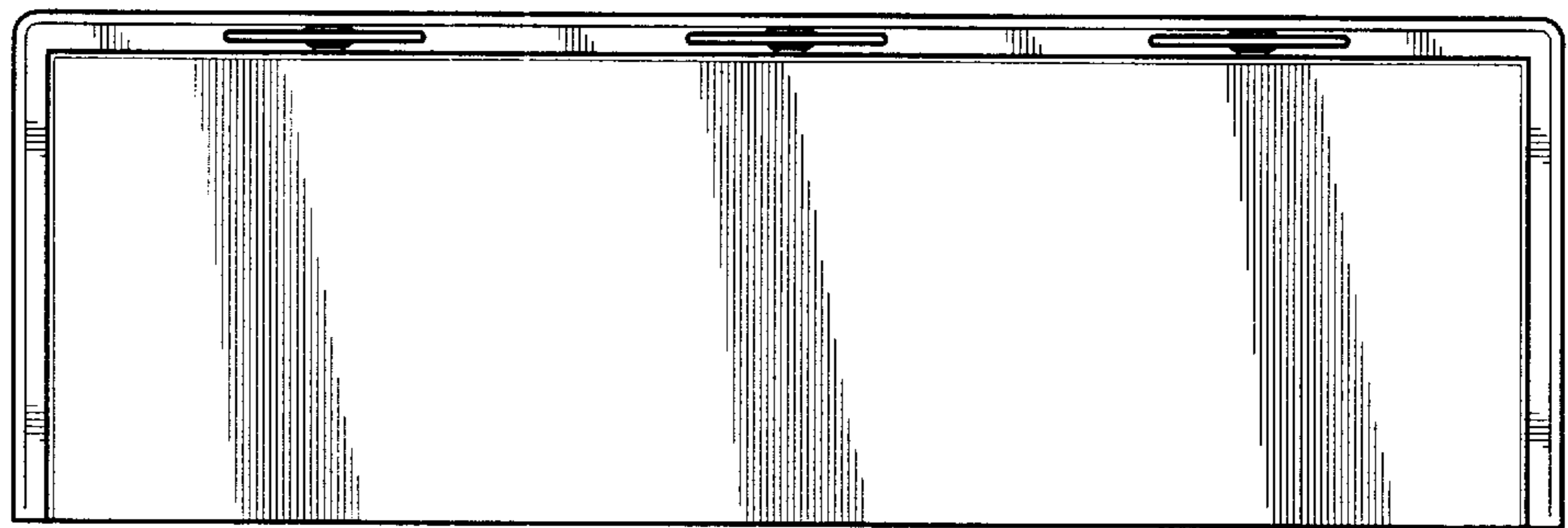
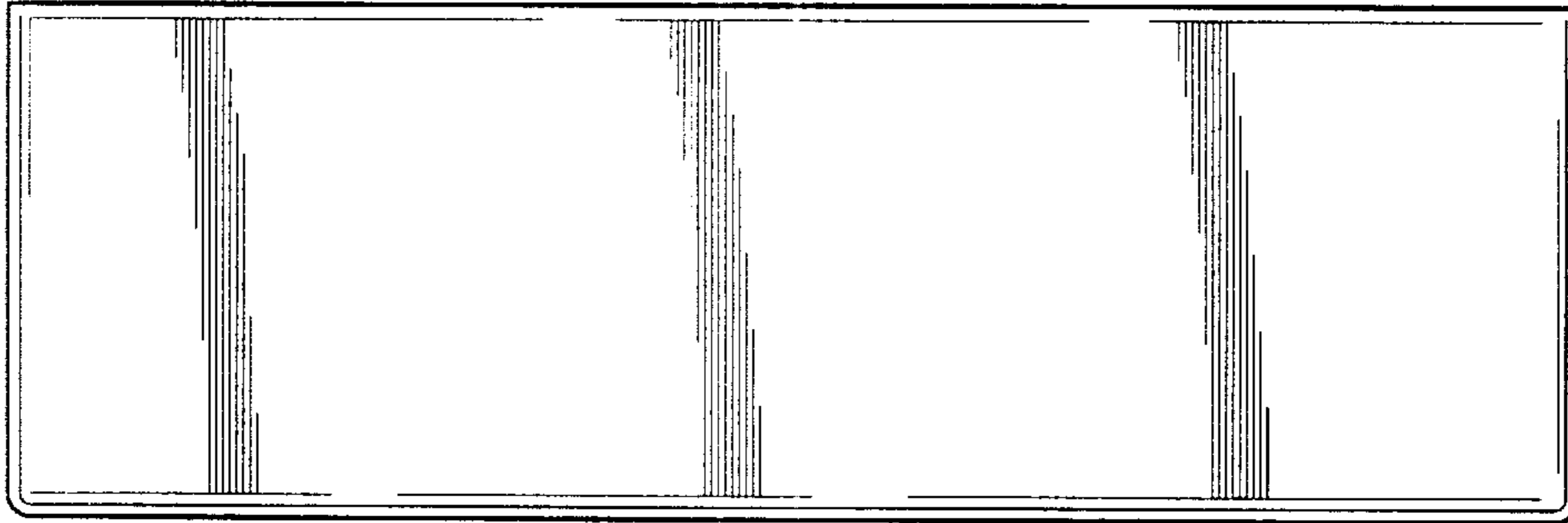


Figure - 5

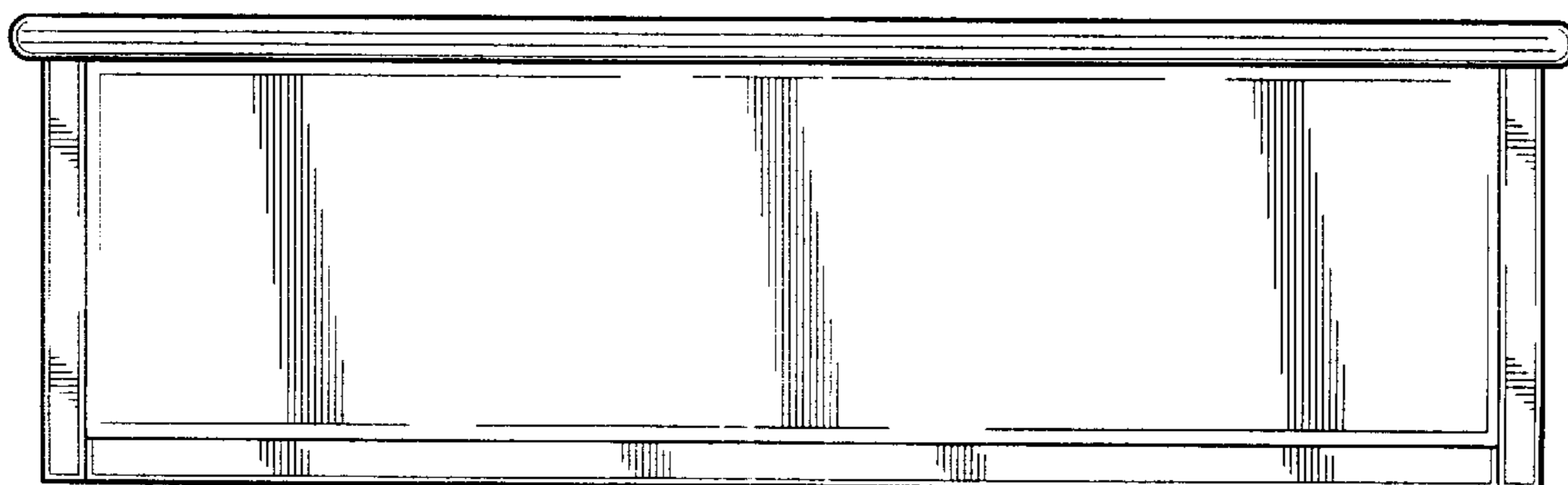


Figure - 6