



US00D443161S

(12) **United States Design Patent**  
**Mahlmann**

(10) **Patent No.:** **US D443,161 S**

(45) **Date of Patent:** **\*\* Jun. 5, 2001**

(54) **RACK**

(75) Inventor: **Veit Mahlmann**, Hamburg (DE)

(73) Assignee: **Hewi Heinrich Wilke GmbH**, Bad Arolsen (DE)

(\*\*) Term: **14 Years**

(21) Appl. No.: **29/100,798**

(22) Filed: **Feb. 19, 1999**

**Related U.S. Application Data**

(62) Division of application No. 29/076,533, filed on Sep. 12, 1997, now Pat. No. Des. 405,997.

(30) **Foreign Application Priority Data**

Mar. 13, 1997 (DE) ..... M9702486

(51) **LOC (7) Cl.** ..... **06-04**

(52) **U.S. Cl.** ..... **D6/567**

(58) **Field of Search** ..... D6/553, 567, 569,  
D6/572, 546, 549; D8/367, 373, 372; 211/13.1,  
30, 32, 35, 86, 87; 248/214, 251, 304, 309.1,  
309.2

(56) **References Cited**

**U.S. PATENT DOCUMENTS**

- D. 242,513 \* 11/1976 Schweitzer ..... D6/572 X
- D. 268,890 \* 5/1983 Morin ..... D8/373 X
- D. 299,604 \* 1/1989 Fayerman et al. .... D6/572 X

\* cited by examiner

*Primary Examiner*—Brian N. Vinson

(74) *Attorney, Agent, or Firm*—Michael J. Striker

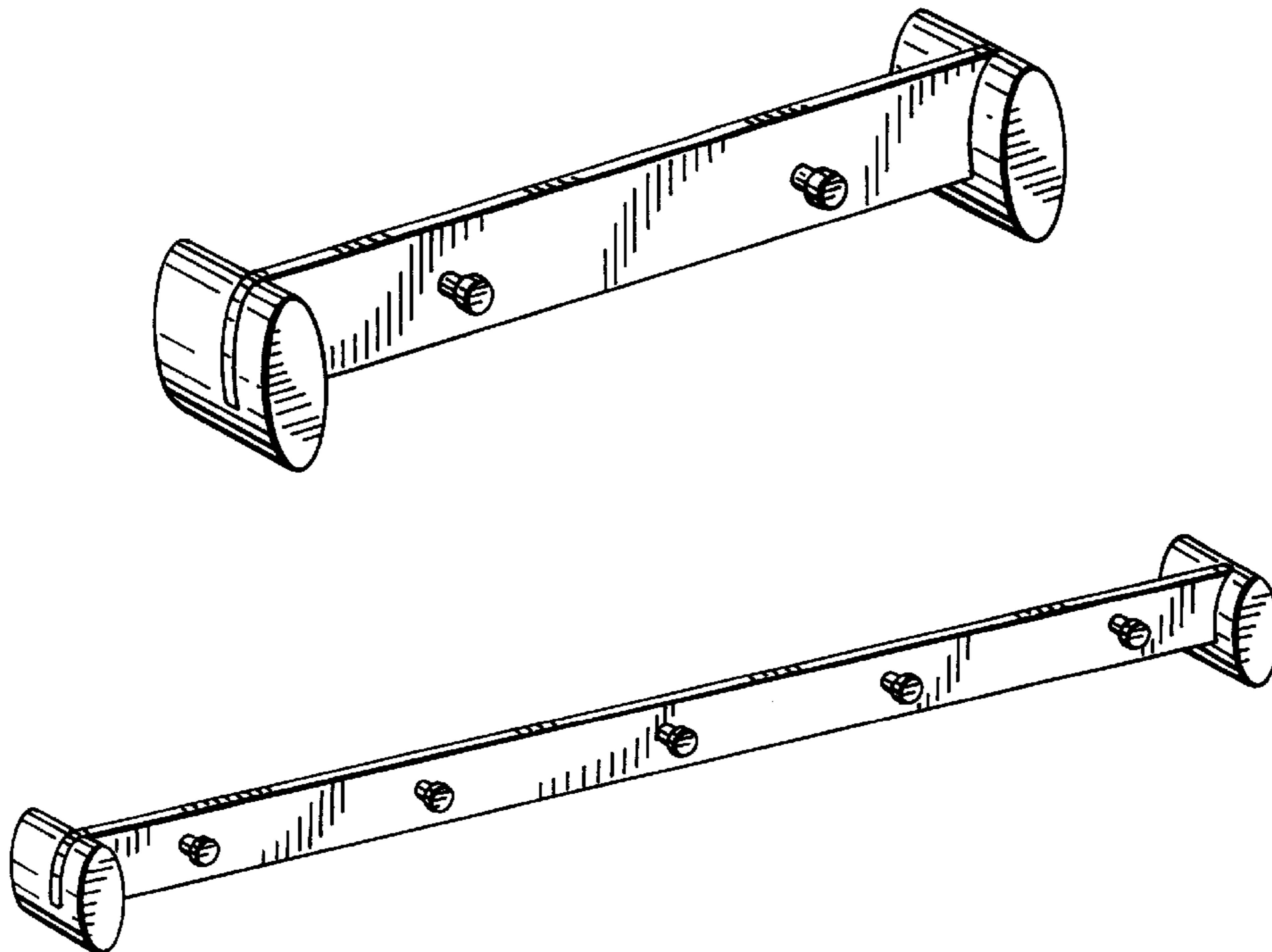
(57) **CLAIM**

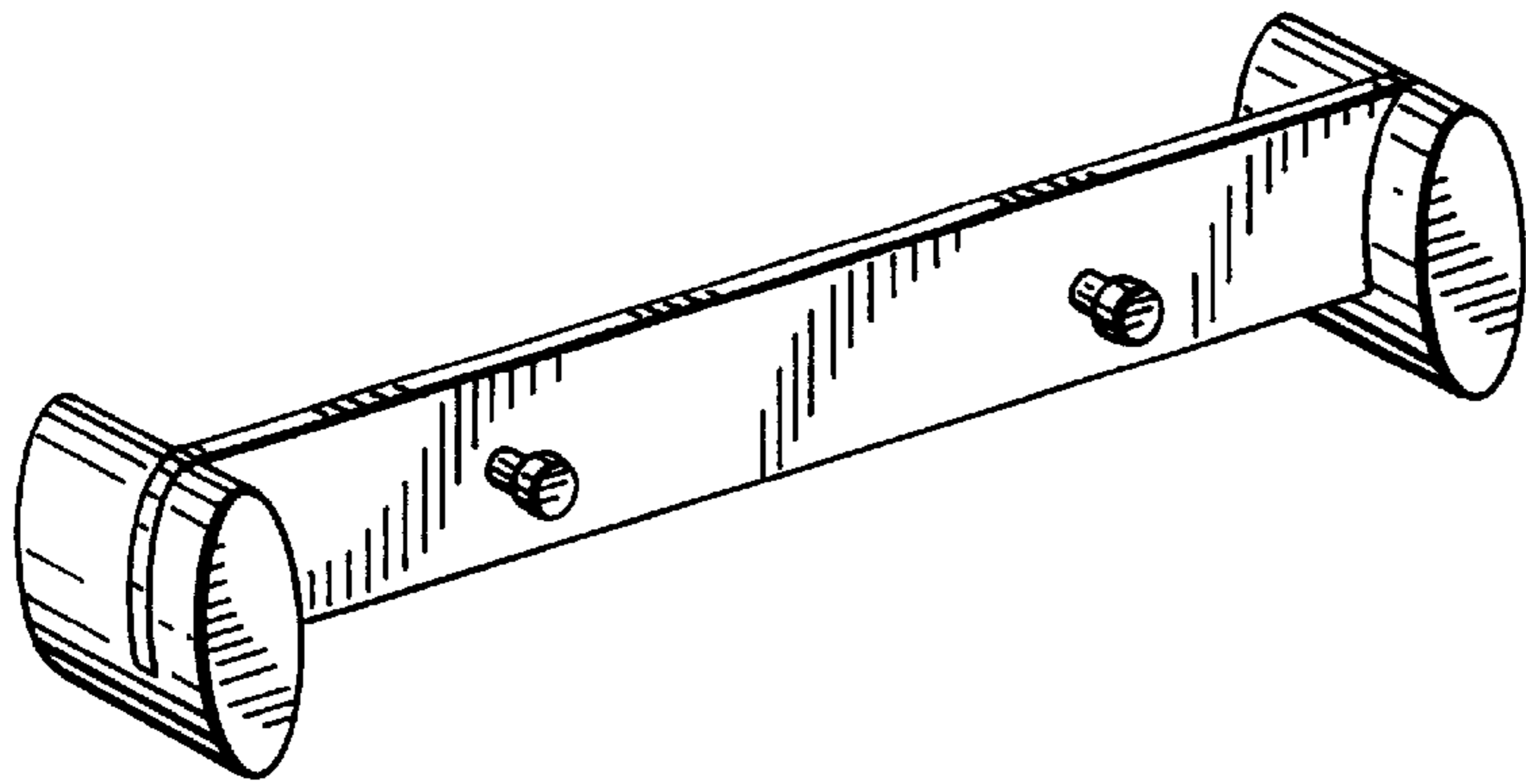
The ornamental design for a rack, as shown and described.

**DESCRIPTION**

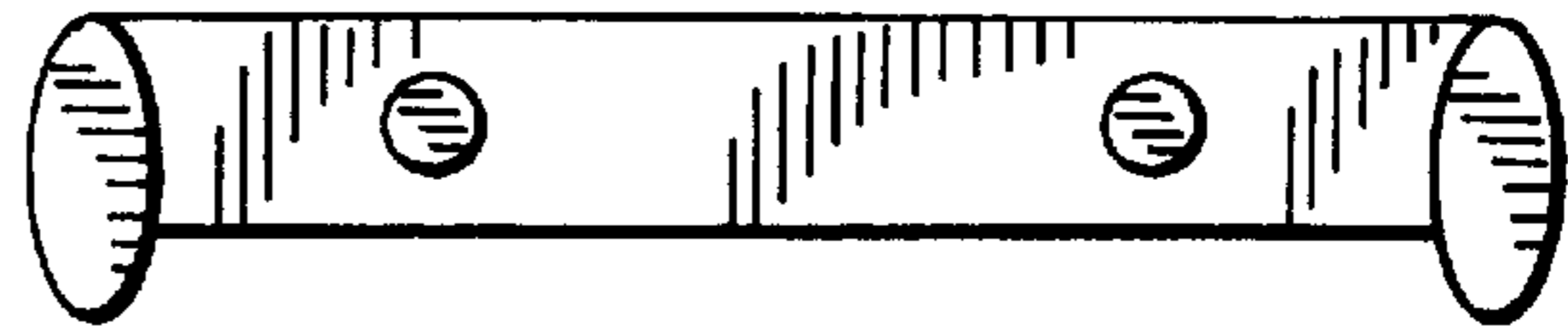
FIG. 1 is a top, front and left side perspective view of a rack showing a first embodiment of my new design;  
 FIG. 2 is a front elevational view thereof;  
 FIG. 3 is a bottom plan view thereof;  
 FIG. 4 is a top plan view thereof;  
 FIG. 5 is a left side elevational view thereof;  
 FIG. 6 is a right side elevational view thereof;  
 FIG. 7 is a rear elevational view thereof;  
 FIG. 8 is a top, front and left side perspective view of a rack showing a second embodiment of my new design;  
 FIG. 9 is a front elevational view thereof;  
 FIG. 10 is a bottom plan view thereof;  
 FIG. 11 is a top plan view thereof;  
 FIG. 12 is a left side elevational view thereof;  
 FIG. 13 is a right side elevational view thereof; and  
 FIG. 14 is a rear elevational view thereof.  
 FIG. 15 is a top, front and left side perspective view of a rack showing a third embodiment of my new design;  
 FIG. 16 is a front elevational view thereof;  
 FIG. 17 is a bottom plan view thereof;  
 FIG. 18 is a top plan view thereof;  
 FIG. 19 is a left side elevational view thereof;  
 FIG. 20 is a right side elevational view thereof; and,  
 FIG. 21 is a rear elevational view thereof.

**1 Claim, 3 Drawing Sheets**





*FIG. 1*



*FIG. 2*

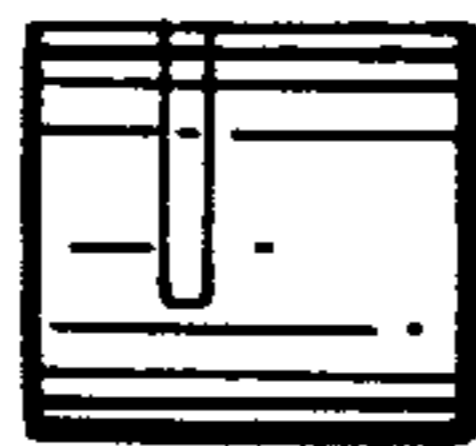
*FIG. 3*



*FIG. 4*



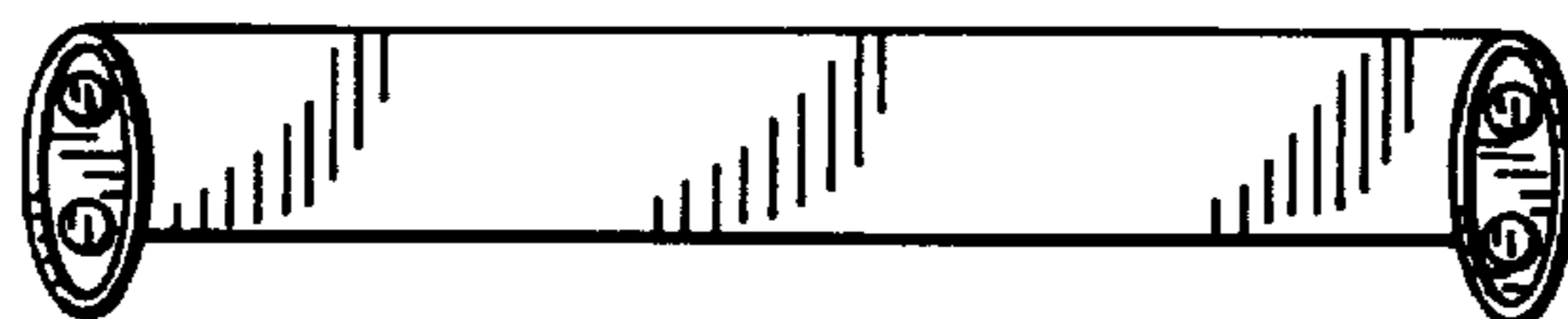
*FIG. 5*

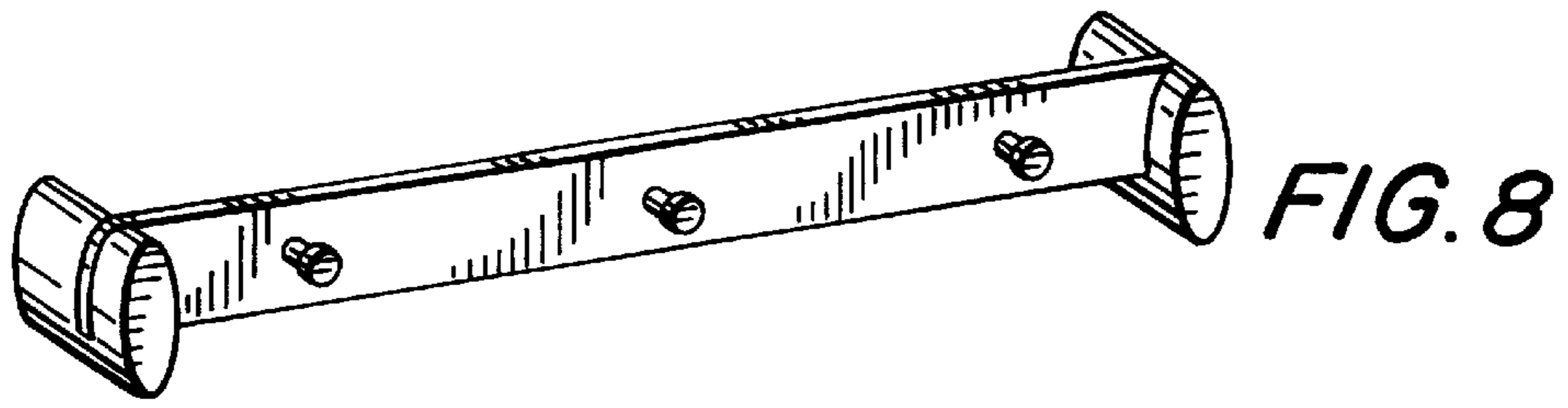


*FIG. 6*

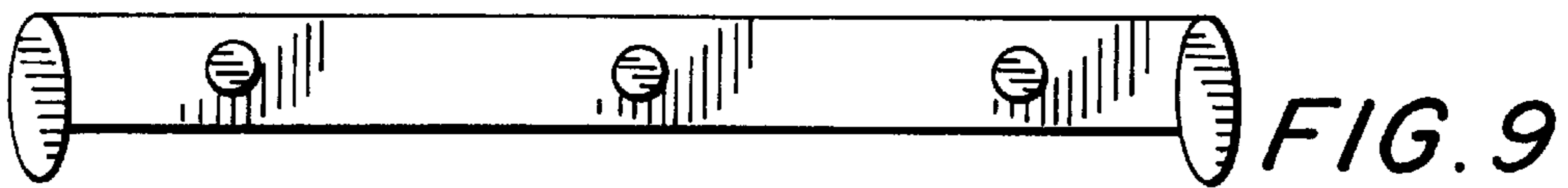


*FIG. 7*





*FIG. 8*



*FIG. 9*



*FIG. 10*

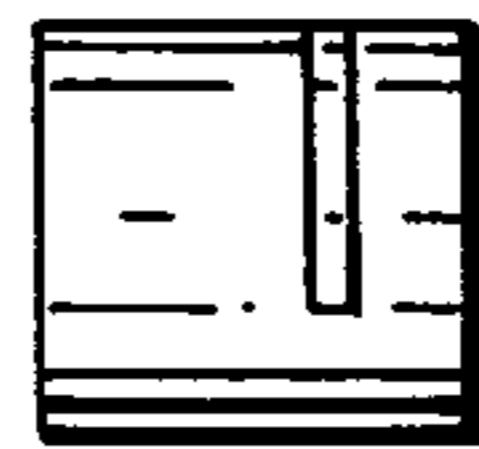


*FIG. 11*

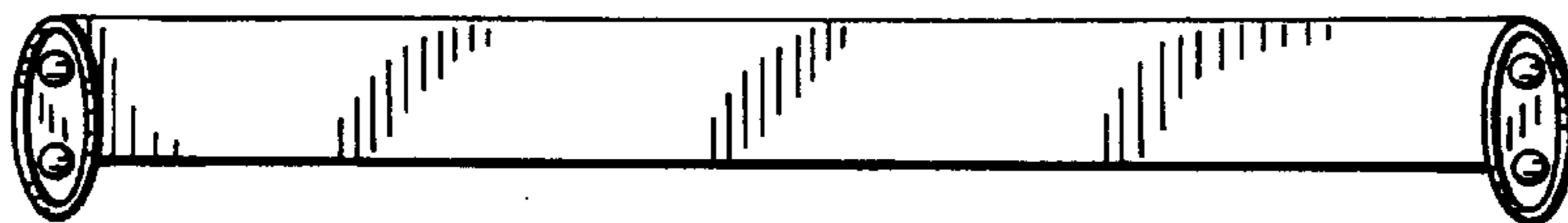
*FIG. 12*



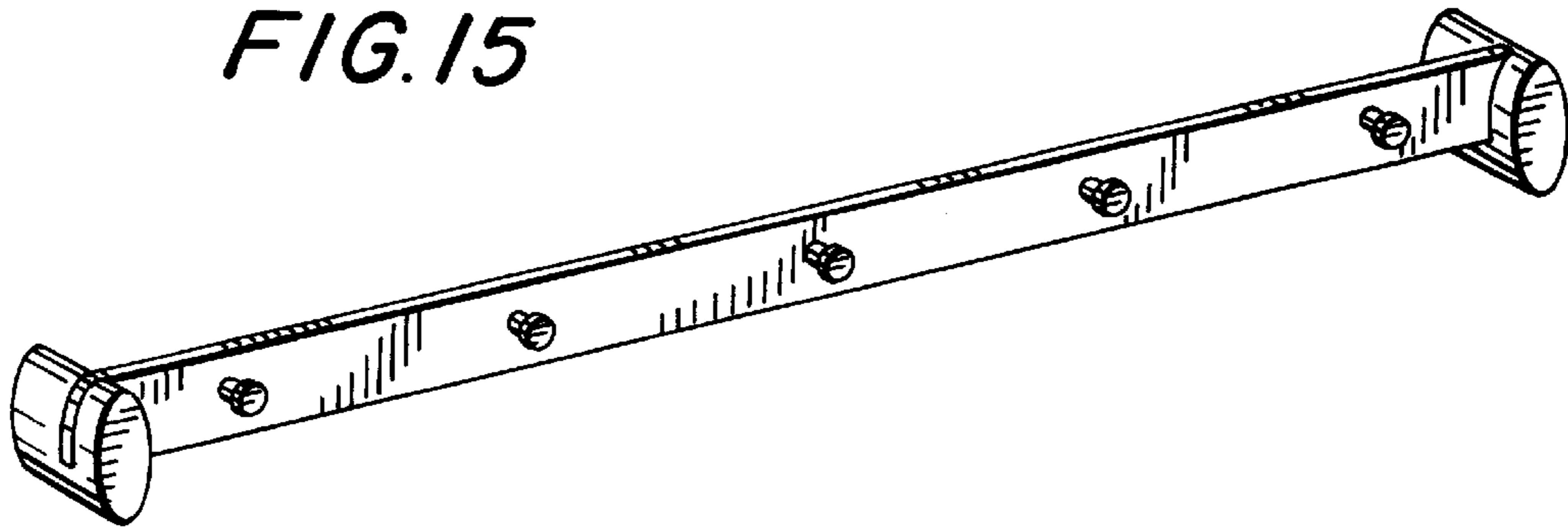
*FIG. 13*



*FIG. 14*



*FIG. 15*



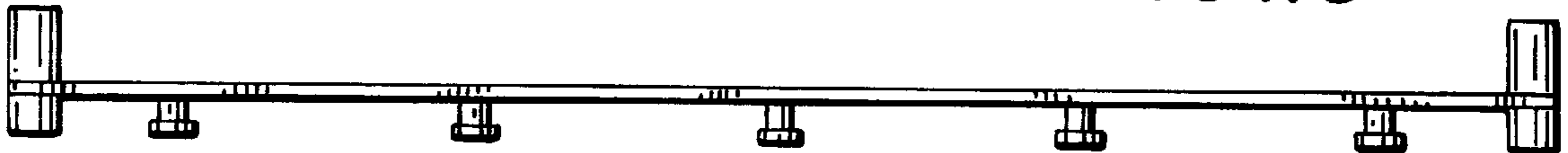
*FIG. 16*



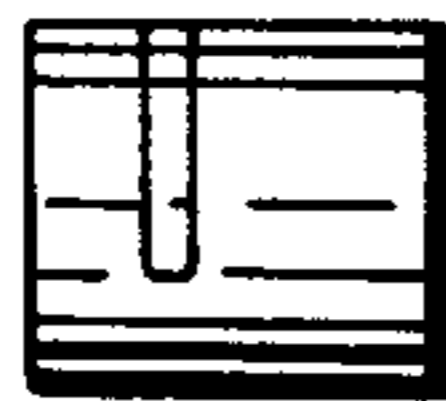
*FIG. 17*



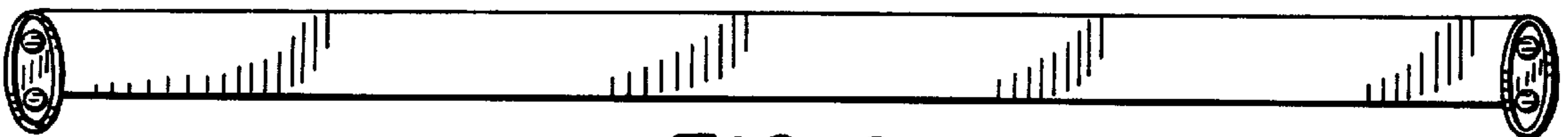
*FIG. 18*



*FIG. 19*



*FIG. 20*



*FIG. 21*