



US00D443154S

(12) **United States Design Patent**  
**Wang**

(10) **Patent No.:** **US D443,154 S**

(45) **Date of Patent:** **\*\* Jun. 5, 2001**

(54) **COMPUTER TABLE**

(76) Inventor: **Jason Wang**, 58, Ma Yuan West St.,  
Taichung (TW)

(\*\*) Term: **14 Years**

(21) Appl. No.: **29/122,132**

(22) Filed: **Apr. 18, 2000**

(51) **LOC (7) Cl.** ..... **06-04**

(52) **U.S. Cl.** ..... **D6/426; D6/474**

(58) **Field of Search** ..... D6/480-489, 477,  
D6/429, 430, 422-428, 511, 479, 474; 108/153.1,  
155, 156, 157.1, 59, 50.01, 50.02; 248/188,  
188.1; 312/194-196, 208.1

(56) **References Cited**

**U.S. PATENT DOCUMENTS**

D. 360,545 \* 7/1995 Lechman ..... D6/422

D. 426,085 \* 6/2000 Shu-Fen ..... D6/426

D. 426,979 \* 6/2000 Hawang ..... D6/426

D. 429,580 \* 8/2000 Janowitz ..... D6/426

\* cited by examiner

*Primary Examiner*—Janice E. Seeger

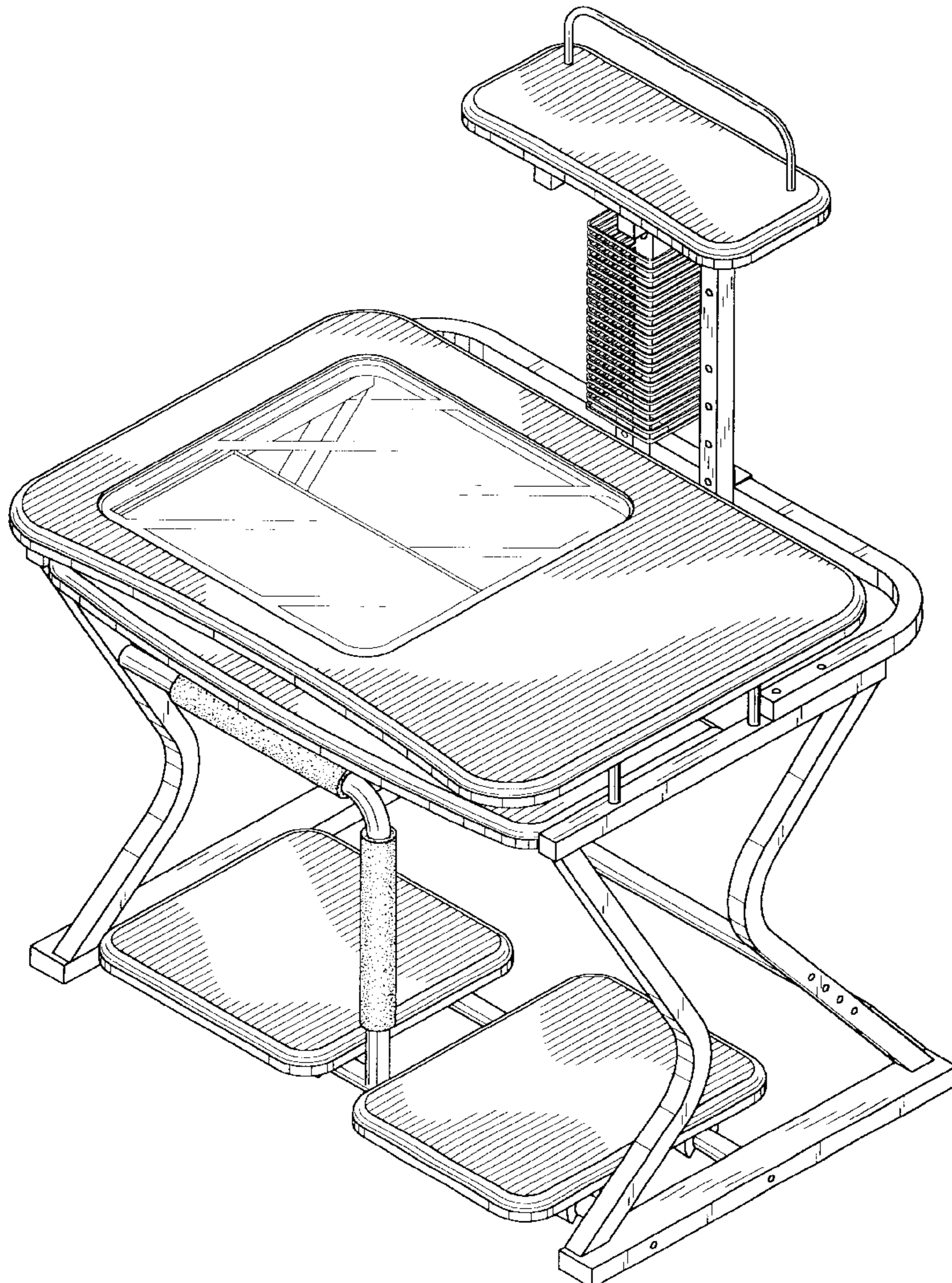
(57) **CLAIM**

The ornamental design for a computer table, as shown and described.

**DESCRIPTION**

FIG. 1 is a perspective view of a computer table showing my design;  
FIG. 2 is a front elevational view thereof;  
FIG. 3 is a rear elevational view thereof;  
FIG. 4 is a left side elevational view thereof;  
FIG. 5 is a right side elevational view thereof;  
FIG. 6 is a top plan view thereof; and,  
FIG. 7 is a bottom plan view thereof.

**1 Claim, 7 Drawing Sheets**



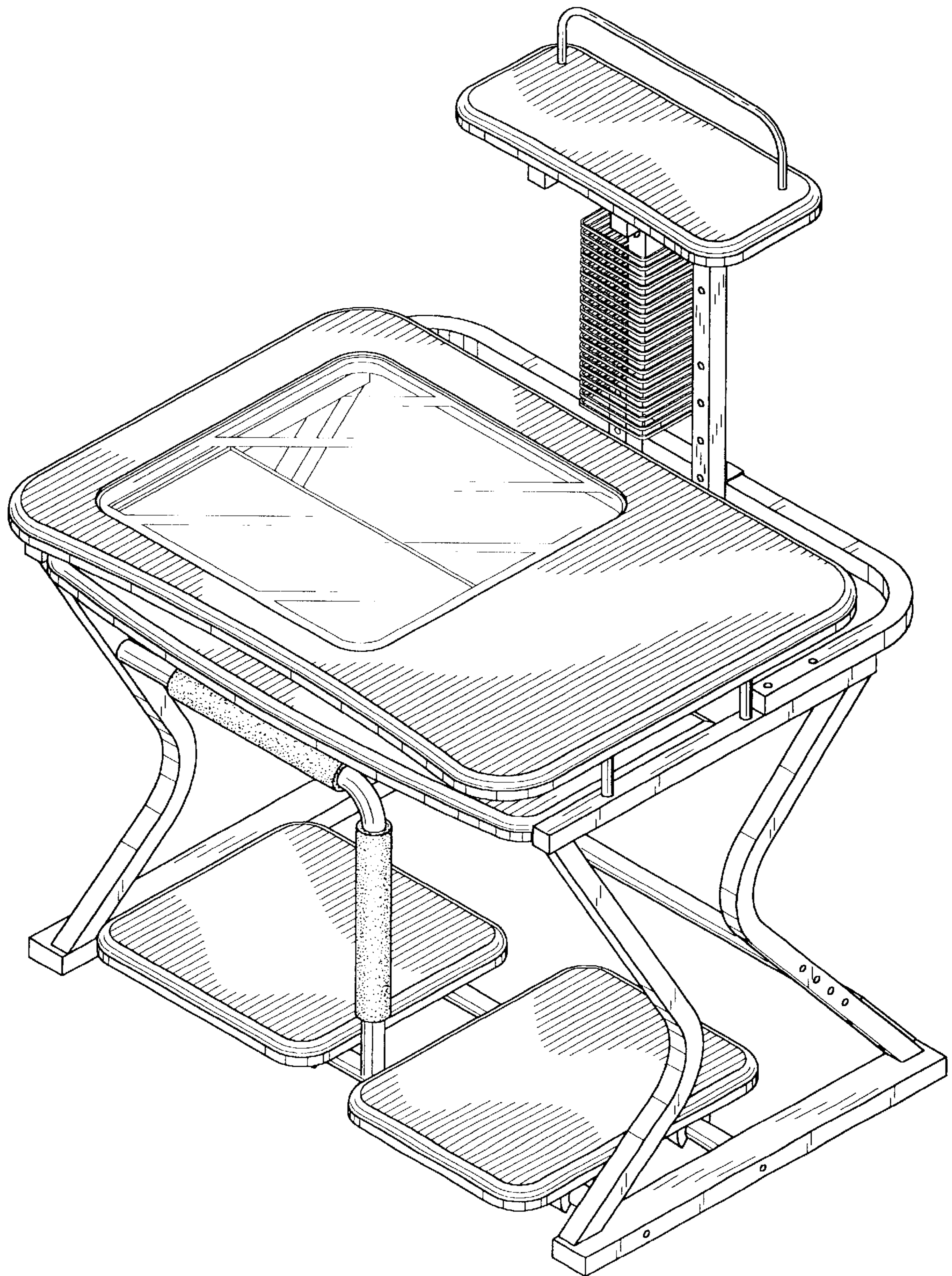


FIG. 1

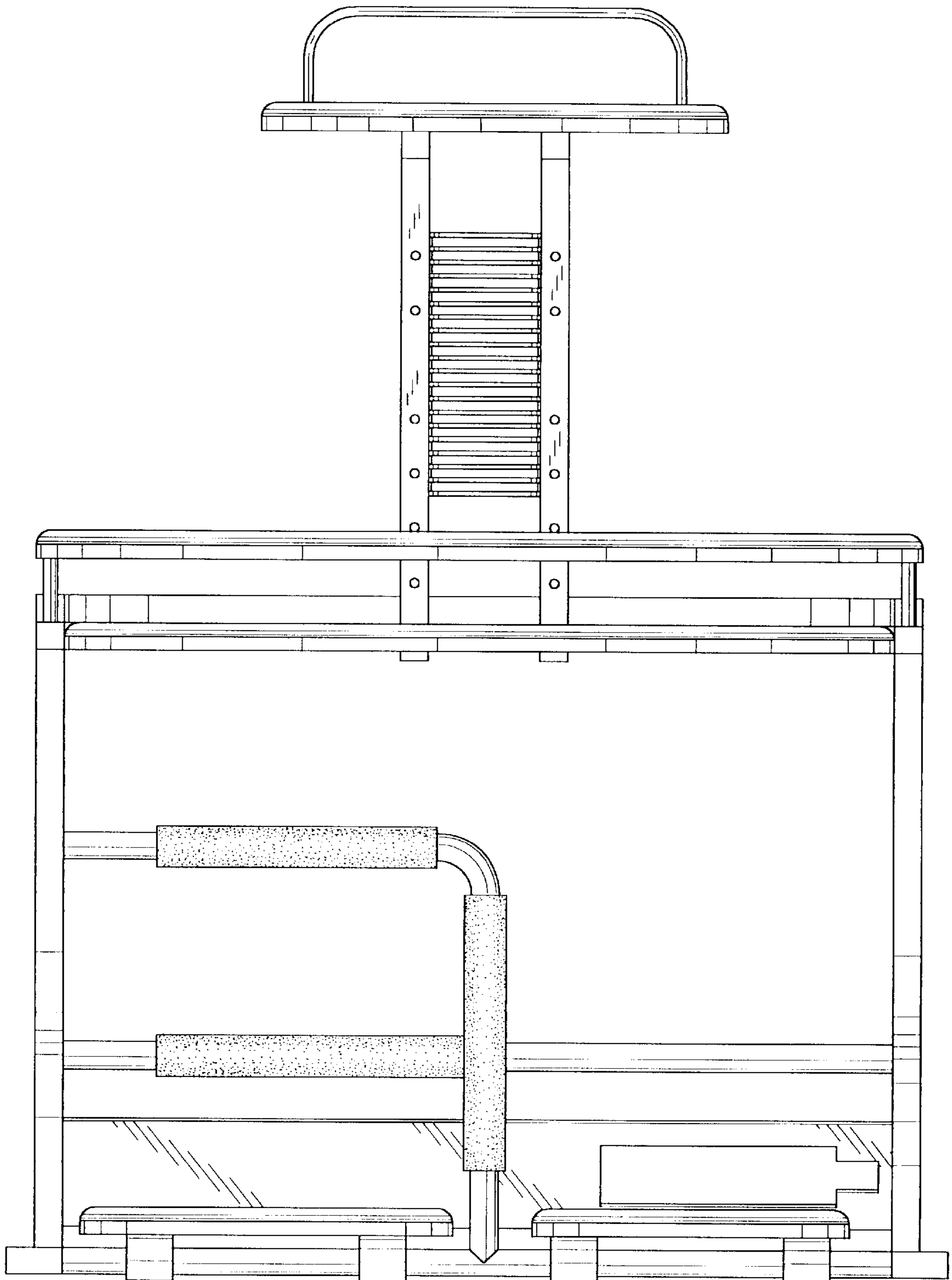


FIG. 2

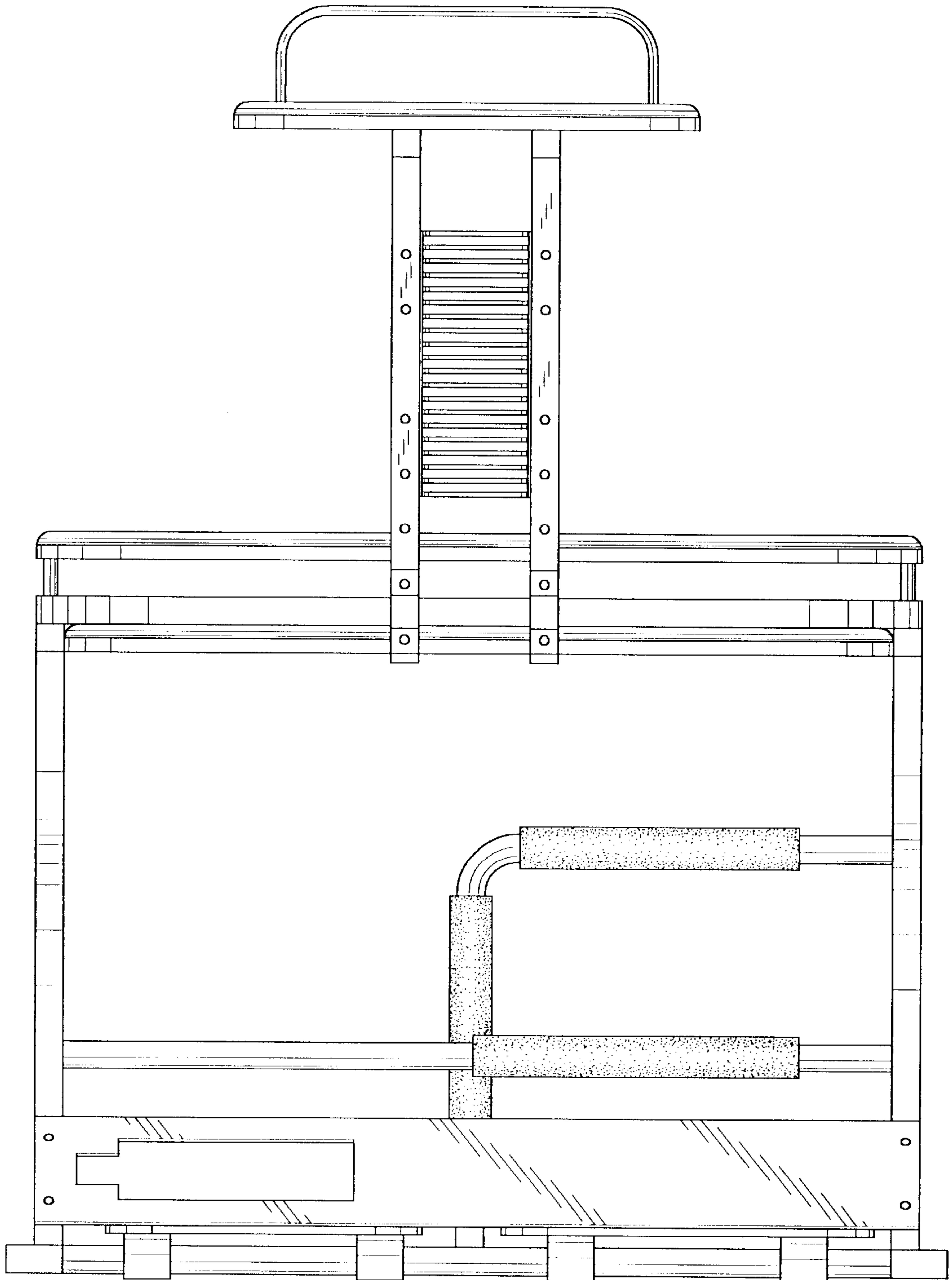


FIG. 3

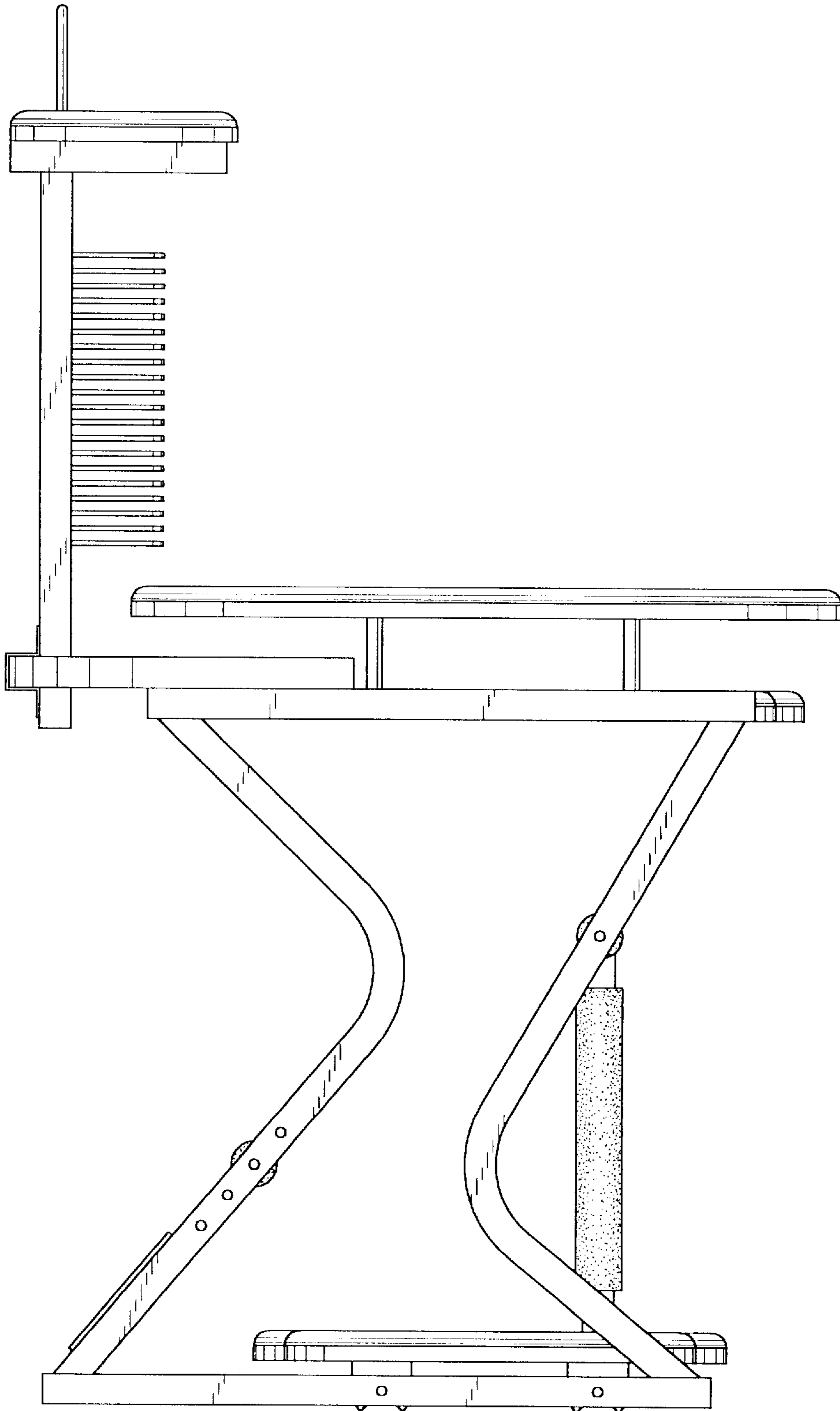


FIG. 4

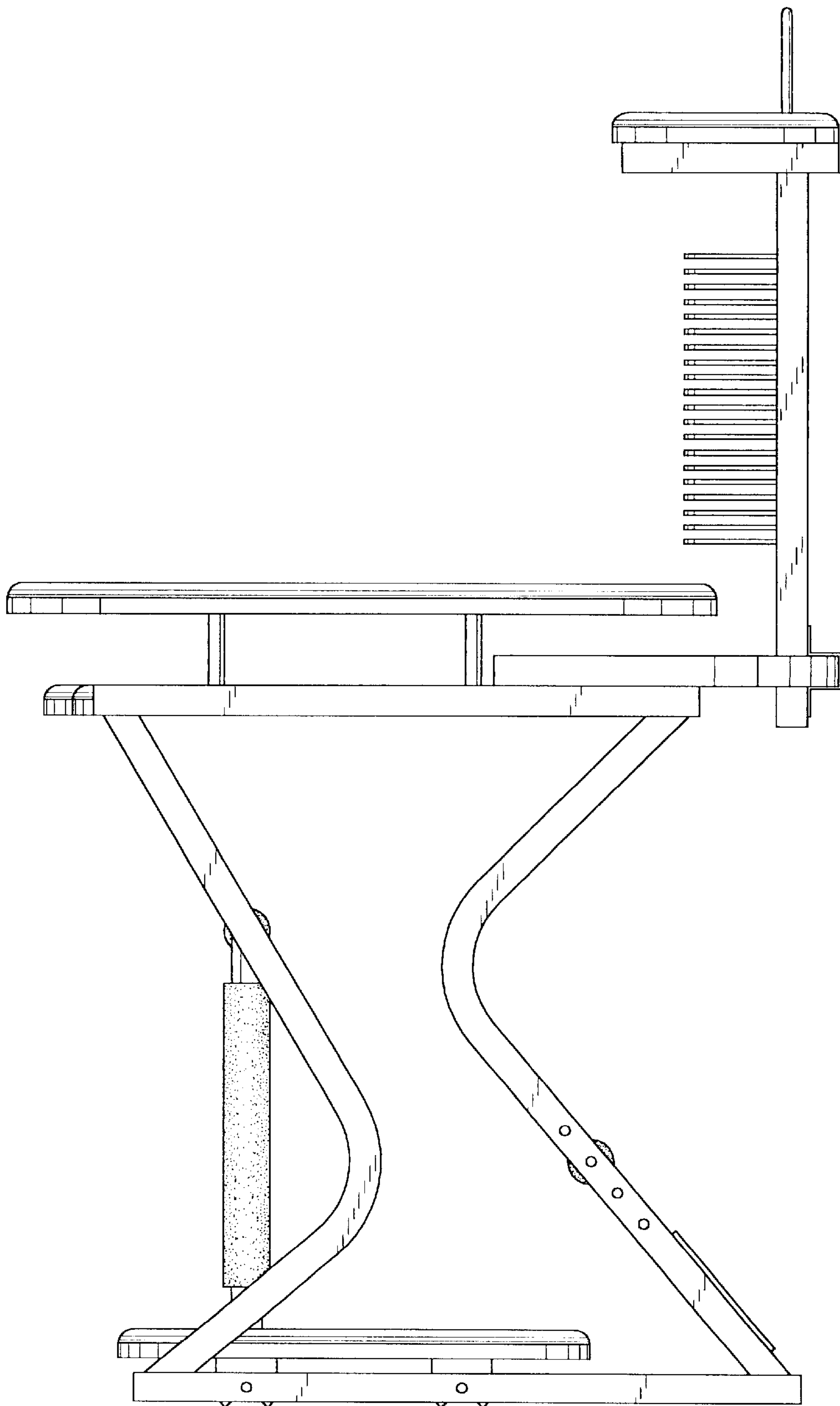


FIG. 5

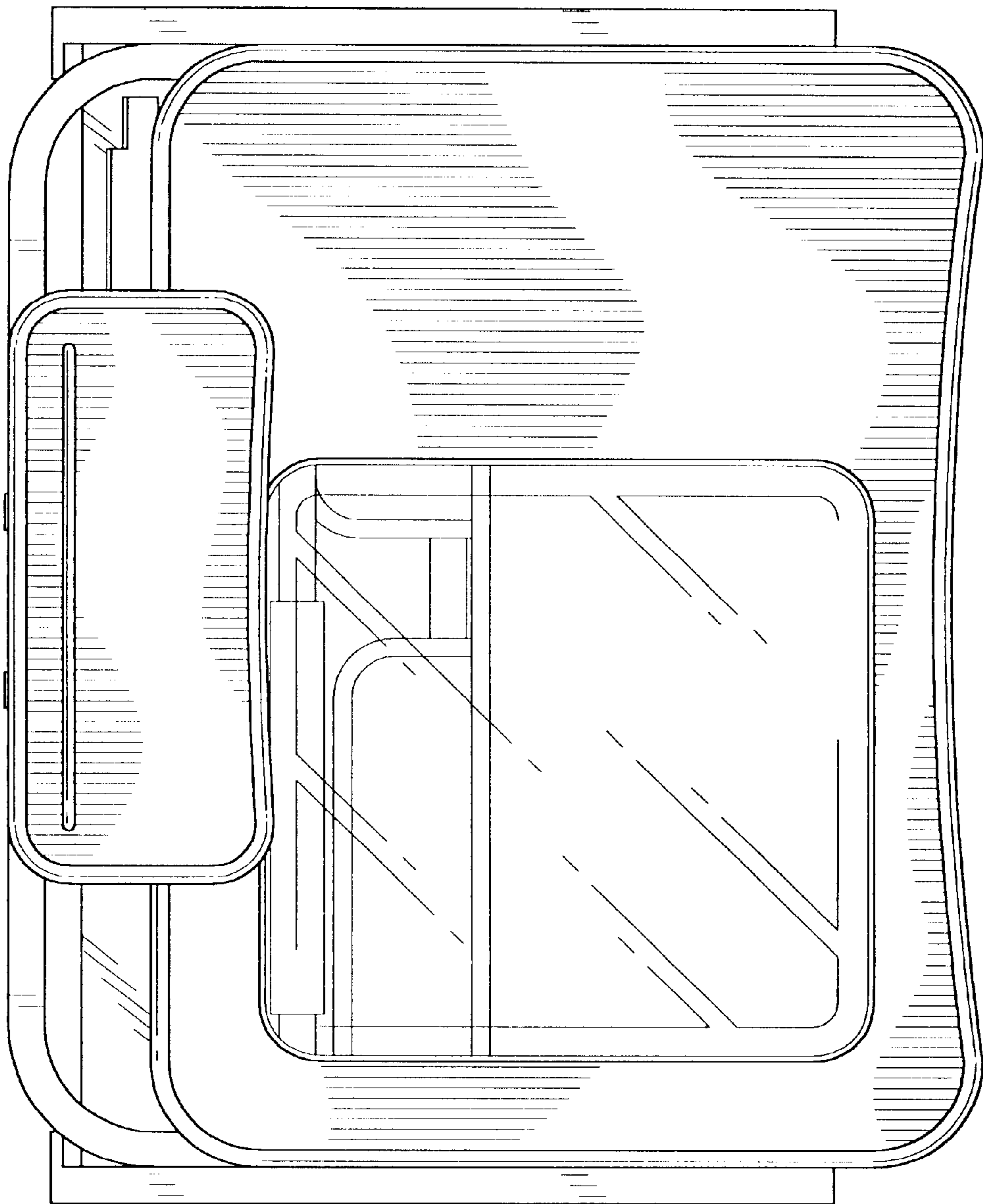


FIG. 6

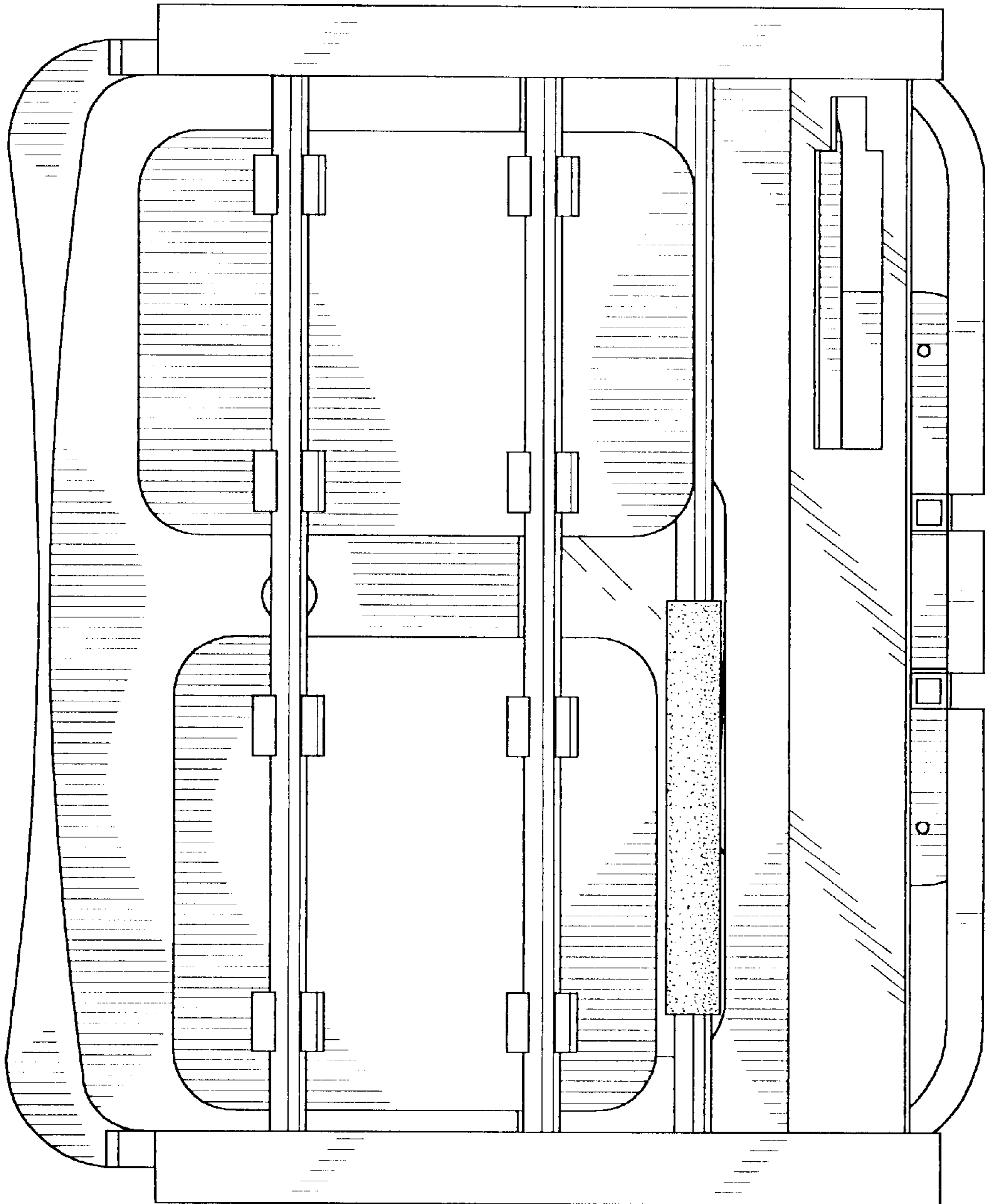


FIG. 7