



US00D443143S

(12) **United States Design Patent**
Ponceano

(10) **Patent No.:** **US D443,143 S**

(45) **Date of Patent:** **** Jun. 5, 2001**

(54) **COMBINED TOOTHBRUSH AND PASTE DISPENSER WITH CAP**

(76) Inventor: **Pedro Ponceano**, 1740 Eastern Ave.,
Baltimore, MD (US) 21231

(**) Term: **14 Years**

(21) Appl. No.: **29/131,020**

(22) Filed: **Oct. 13, 2000**

(51) **LOC (7) Cl.** **04-02**

(52) **U.S. Cl.** **D4/108; D4/121**

(58) **Field of Search** D4/101, 104-114,
D4/121, 134, 138; 15/167.1, 184; 132/308,
311; 401/152, 155, 156, 158, 161, 176-179,
269, 270, 280, 286-288

(56) **References Cited**

U.S. PATENT DOCUMENTS

- D. 366,960 * 2/1996 Crimi D4/104
- 2,459,285 * 1/1949 Murphy 132/311 X
- 4,698,869 * 10/1987 Mierau et al. 15/167.1 X

4,826,341 * 5/1989 Kwak 401/280

* cited by examiner

Primary Examiner—Alan P. Douglas

Assistant Examiner—Lavone Tabor

(57) **CLAIM**

The ornamental design for a combined toothbrush and paste dispenser with cap, as shown and described.

DESCRIPTION

FIG. 1 is an exploded front elevational view of the combined toothbrush and paste dispenser with cap of the present invention;

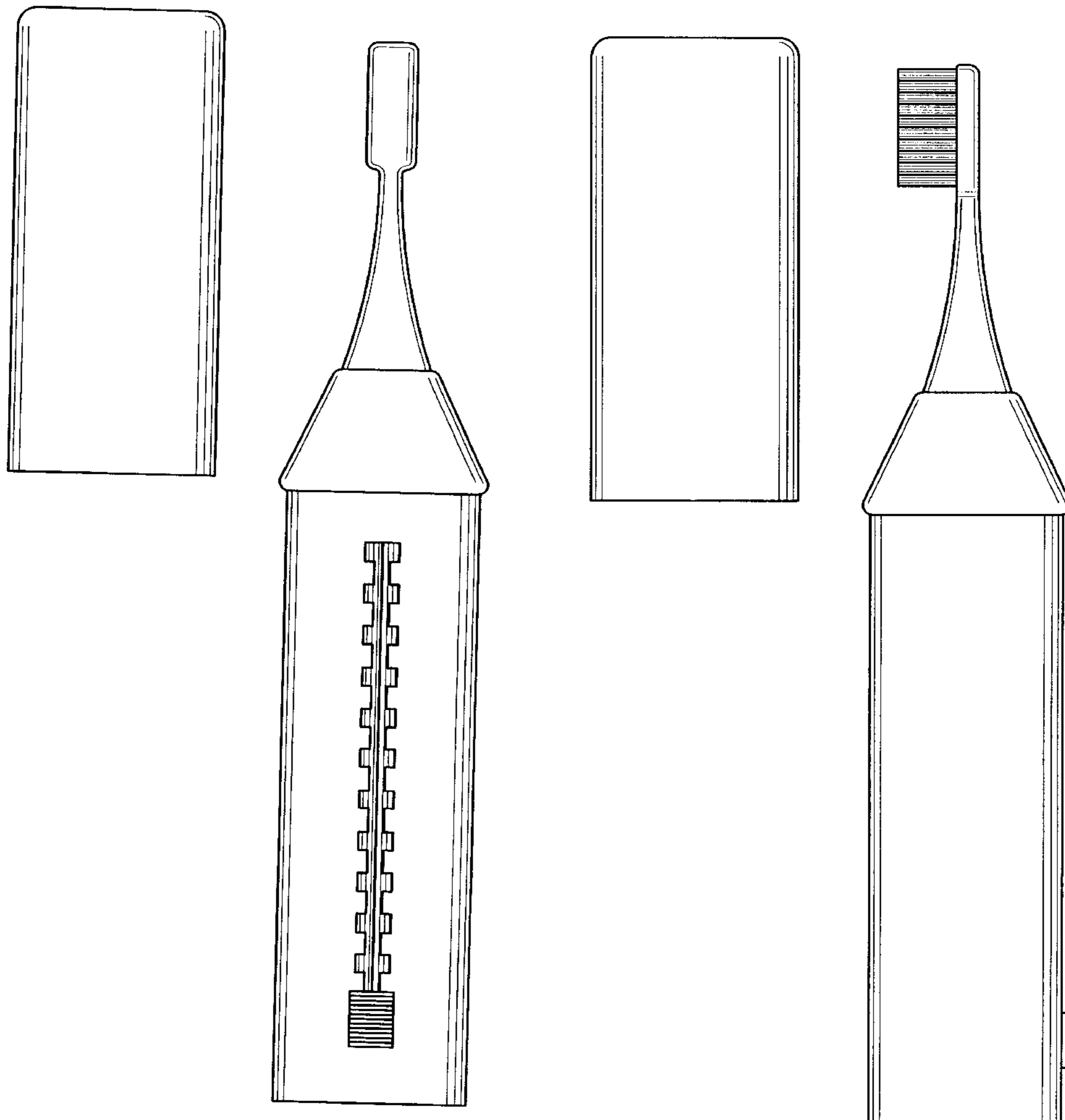
FIG. 2 is a rear elevational view of the combined toothbrush and paste dispenser with cap of FIG. 1;

FIG. 3 is a left side elevational view of the combined toothbrush and paste dispenser with cap of FIG. 1, the right view being a mirror image thereof;

FIG. 4 is a top plan view of the combined toothbrush and paste dispenser with cap of FIG. 1 ; and,

FIG. 5 is a bottom plan view of the combined toothbrush and paste dispenser with cap of FIG. 1.

1 Claim, 4 Drawing Sheets



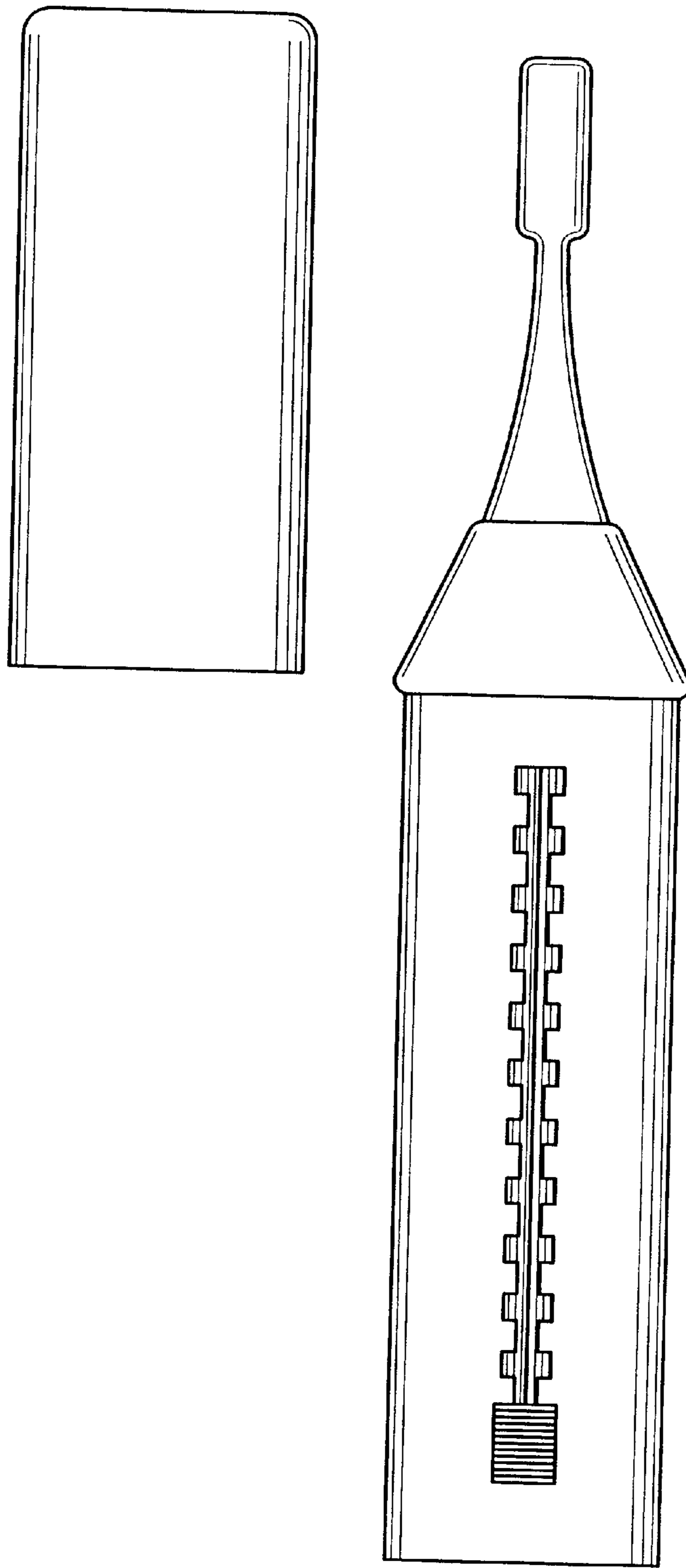


FIG. 1

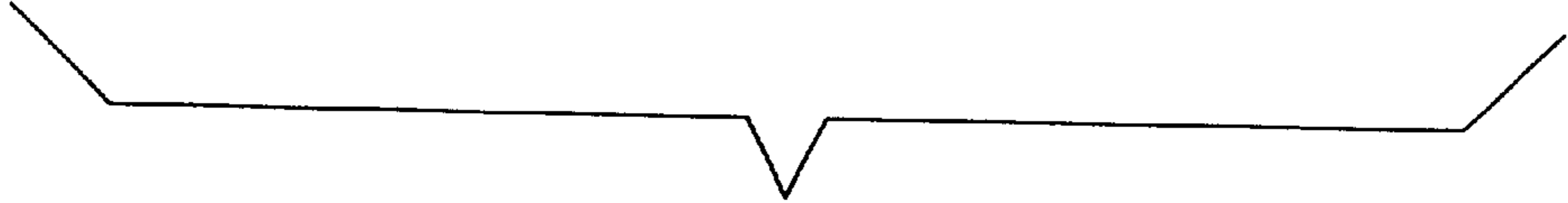
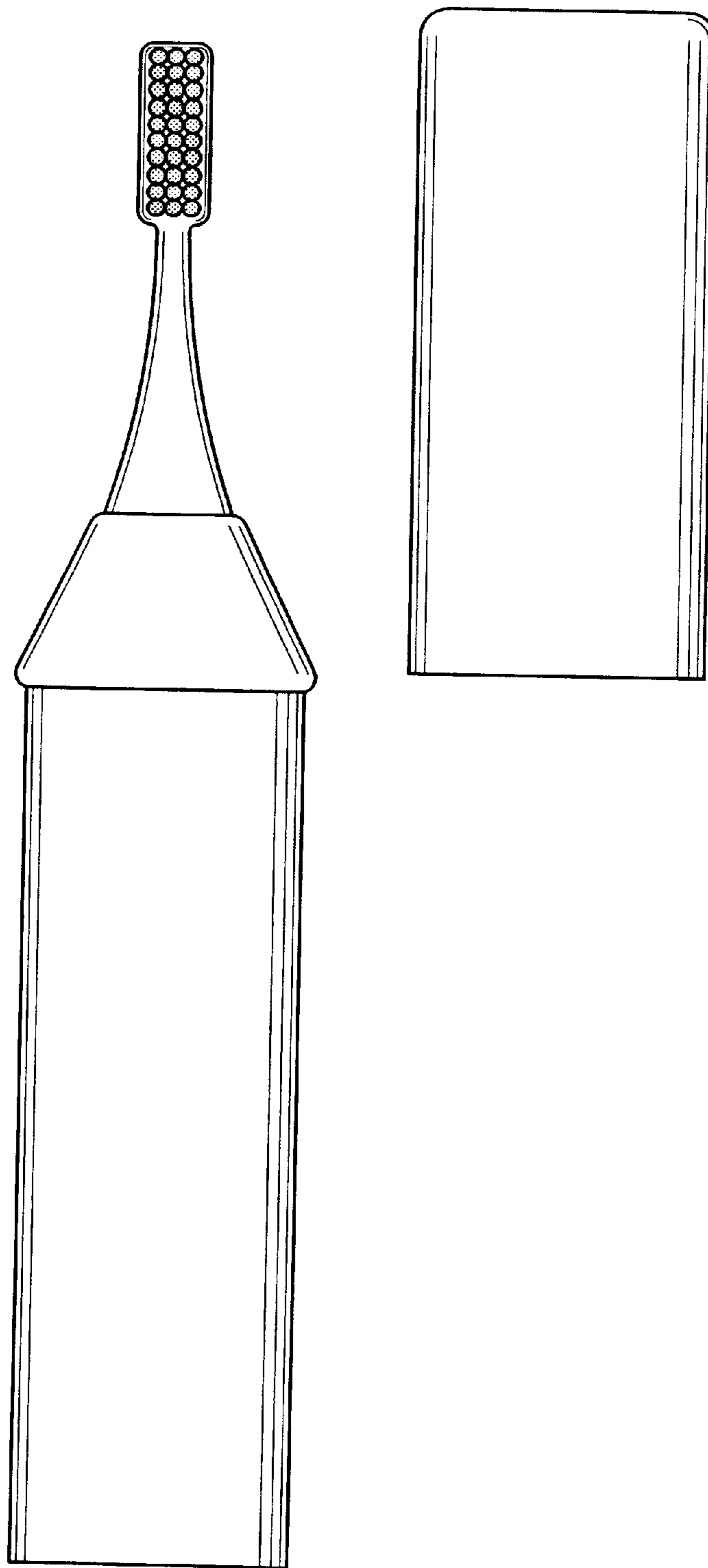


FIG. 2

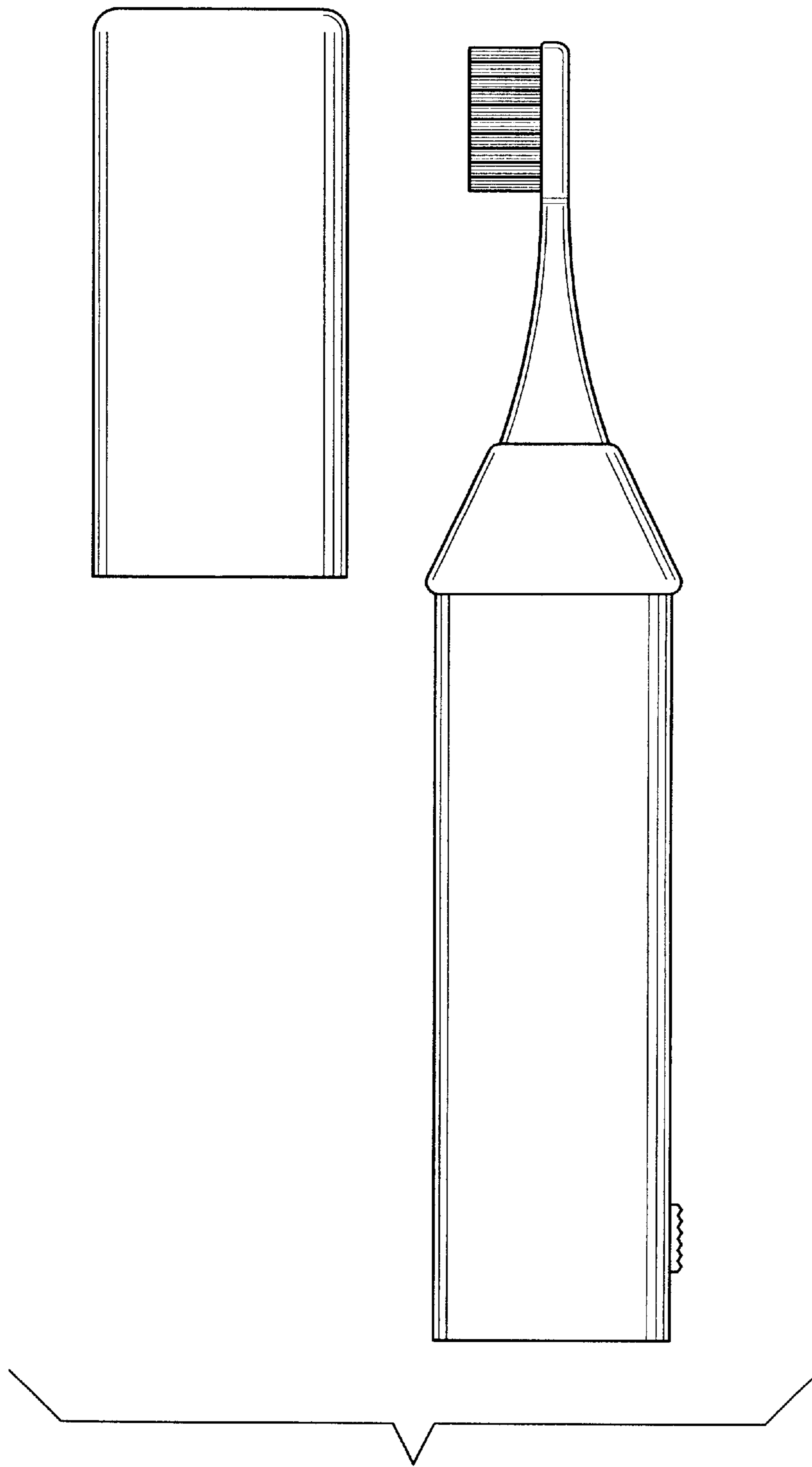


FIG. 3

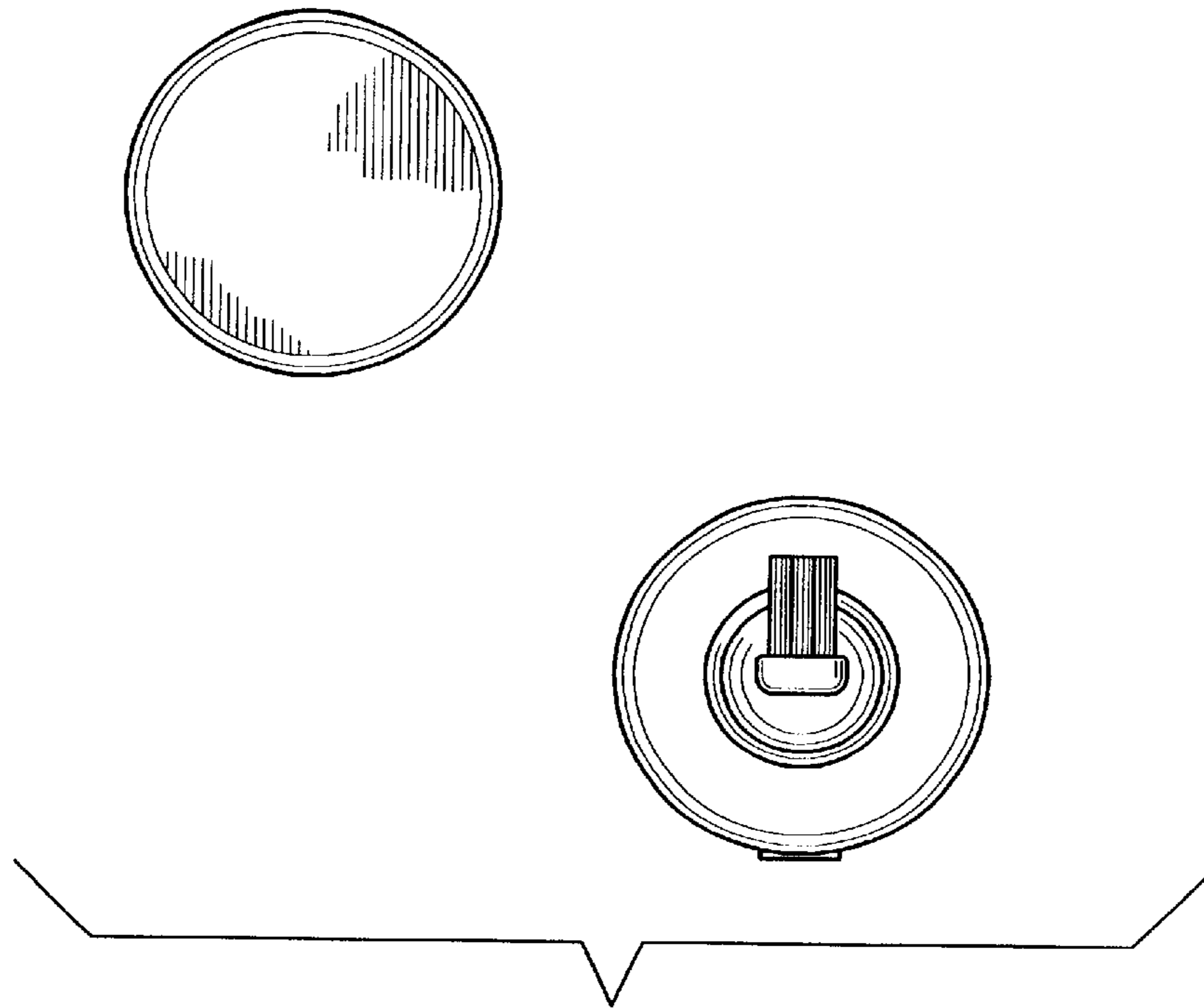


FIG. 4

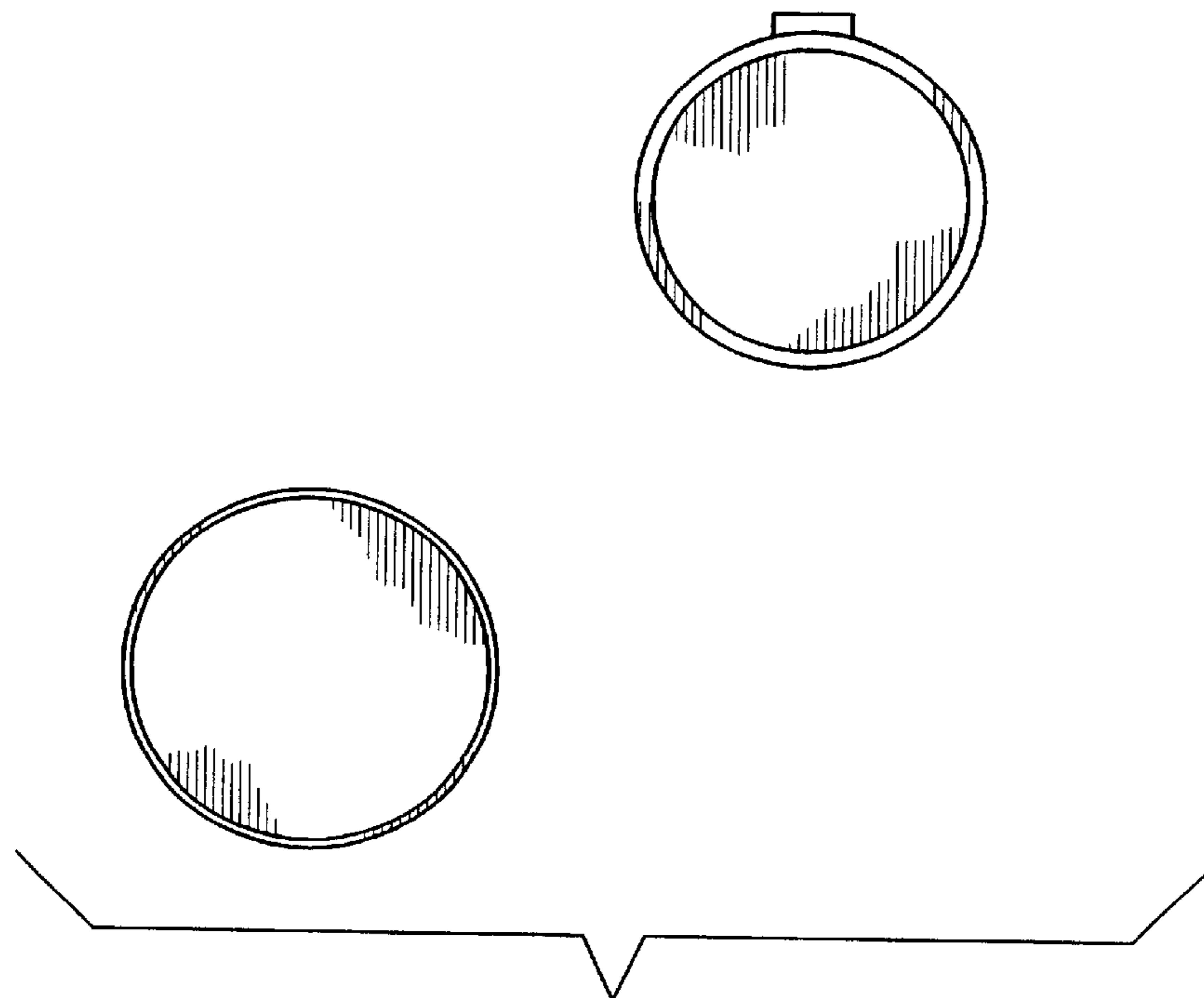


FIG. 5