



US00D443141S

(12) **United States Design Patent**
Harada

(10) **Patent No.:** **US D443,141 S**

(45) **Date of Patent:** **** Jun. 5, 2001**

(54) **TOOTHBRUSH HEAD**

(76) **Inventor:** **Stephen D. Harada**, 614 Blair Ave.,
Piedmont, CA (US) 94111

(**) **Term:** **14 Years**

D. 342,160	12/1993	Curtis et al.	D4/104
D. 344,414	2/1994	Rahman	D4/104
D. 351,732	10/1994	Dair et al.	D4/104
D. 368,804	4/1996	Yost et al.	D4/104
D. 370,347	6/1996	Heinzelman et al.	D4/104

(List continued on next page.)

(21) **Appl. No.:** **29/128,952**

(22) **Filed:** **Sep. 1, 2000**

(51) **LOC (7) Cl.** **04-02**

(52) **U.S. Cl.** **D4/104; D4/136**

(58) **Field of Search** D4/101, 104-112,
D4/130, 132, 134, 136; 15/110, 159.1,
160, 167.1, 167.2, 186-188, 207.2, DIG. 5,
DIG. 6; 601/139, 141; 132/308

FOREIGN PATENT DOCUMENTS

19816098	10/1999	(DE) .	
285121	10/1988	(EP)	15/167.1
723	2/1880	(GB)	15/167.1
7787	6/1886	(GB)	15/167.1
17732	9/1895	(GB)	15/167.1
53-30970	3/1978	(JP) .	
60-60937	4/1985	(JP) .	

OTHER PUBLICATIONS

Weldon Owen Pty Ltd., "Great Inventions", Time Life Books, 1995, Richard Wood—Consulting Editor, p. 9, "Toothbrush".

Primary Examiner—Alan P. Douglas

Assistant Examiner—Lavone Tabor

(74) *Attorney, Agent, or Firm*—Holland & Knight LLP

(56) **References Cited**

U.S. PATENT DOCUMENTS

D. 44,997	12/1913	Carroll .	
D. 47,669	8/1915	Hunt .	
D. 56,858	1/1921	Cahill .	
D. 73,245	8/1927	Straehly .	
D. 77,115	12/1928	Mowry .	
D. 96,749	7/1935	Hellonen .	
D. 107,228	11/1937	Goodman .	
D. 139,264	10/1944	Littig	15/167.1 X
D. 140,438	2/1945	Cohen	15/167.1 X
D. 160,604	1/1950	Hutson .	
D. 175,894	10/1955	Krueger	D4/104
D. 189,414	12/1960	Kisky	D4/110
D. 251,038	2/1979	Hill et al.	D4/104
D. 252,597	8/1979	Holzworth et al.	D4/110
D. 259,977	7/1981	Porper	D4/110
D. 265,527	7/1982	Macaluso	D4/110
D. 282,603	2/1986	Piero	D4/108
D. 289,231	4/1987	Fleisher	D4/110
D. 289,704	5/1987	Marthaler et al.	D4/104
D. 292,948	12/1987	Parina	D4/104
D. 300,990	5/1989	Jagger	D4/104
D. 301,399	6/1989	Kreyer, Jr.	D4/104
D. 305,385	1/1990	Schneider	D4/104
D. 311,454	10/1990	Rethman	D4/106
D. 321,092	10/1991	Woll et al.	D4/106
D. 337,201	7/1993	Haddad	D4/107

(57) **CLAIM**

The ornamental design for a toothbrush head, as shown and described.

DESCRIPTION

FIG. 1 is a perspective view of my ornamental design for a toothbrush head;

FIG. 2 is a top view thereof;

FIG. 3 is a bottom view thereof;

FIG. 4 is a right side elevational view thereof;

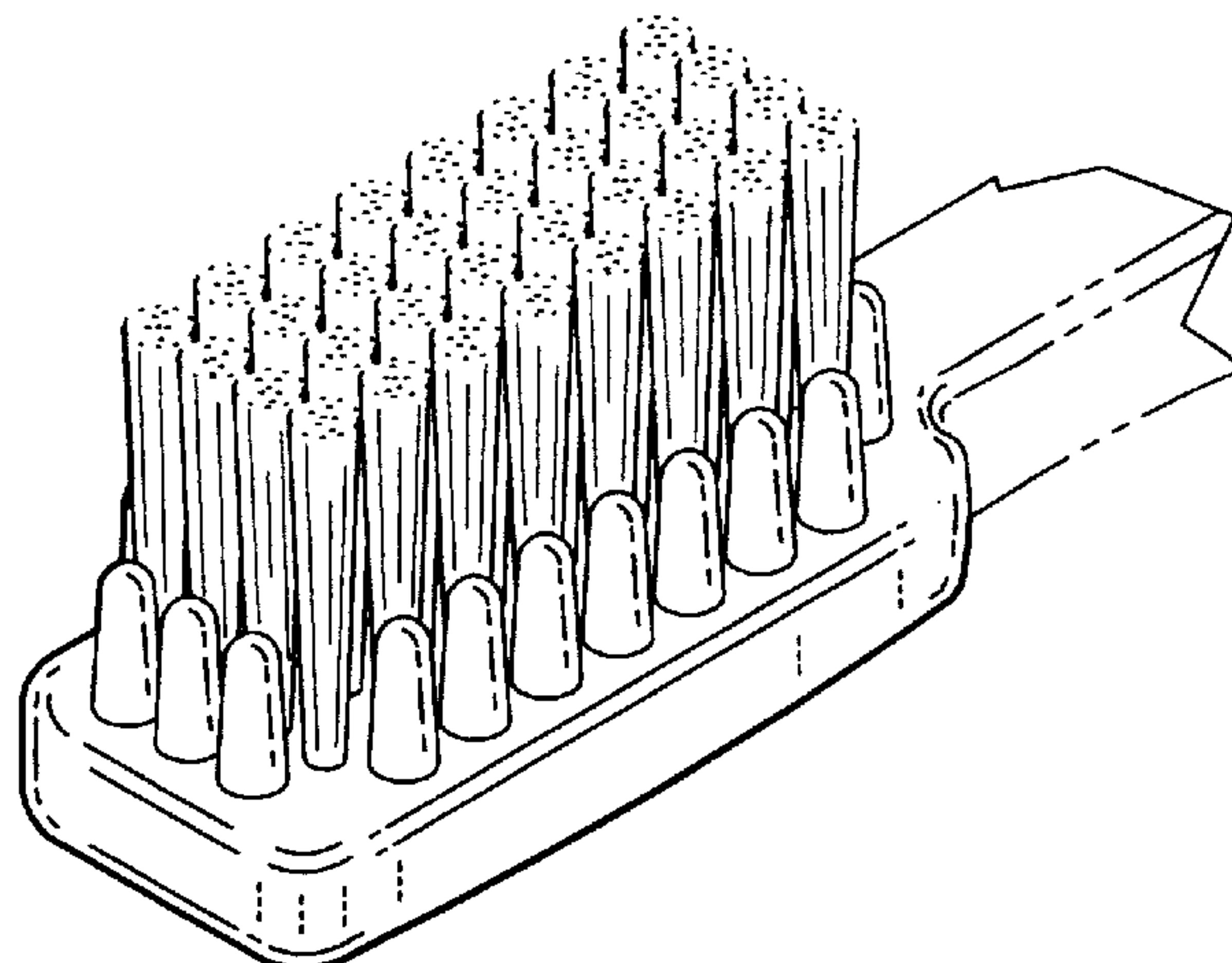
FIG. 5 is a left side elevational view thereof;

FIG. 6 is a distal end elevational view thereof as viewed from the left side of FIG. 2; and,

FIG. 7 is a proximal end elevational view thereof as viewed from the right side of FIG. 2.

The broken line showing is for illustrative purposes only and forms no part of the claimed design.

1 Claim, 1 Drawing Sheet



US D443,141 S

Page 2

U.S. PATENT DOCUMENTS

D. 414,938	10/1999	Von Stein	D4/104	4,667,360	5/1987	Marthaler et al.	15/167
D. 428,256	7/2000	Harada	D4/104	4,672,706	6/1987	Hill	15/167
D. 428,260	7/2000	Harada	D4/110	4,763,375	8/1988	Vieten	15/167.1 X
D. 430,401	9/2000	Harada	D4/104	4,800,608	1/1989	Key	15/167.1
D. 431,908	10/2000	Harada	D4/104	5,046,212	9/1991	O'Conke	15/105
1,251,250 *	12/1917	Libby	15/110	5,054,154	10/1991	Schiffer et al.	15/167.1
1,494,448	5/1924	Sookne .			5,114,214	5/1992	Barman	15/DIG. 5 X
1,968,303	7/1934	McMath	15/167.1	5,315,730	5/1994	Kim et al.	15/167.1
2,051,687	8/1936	Dressler	15/167.1	5,341,537	8/1994	Curtis et al.	15/167.1
2,111,880	3/1938	Waters	15/176.6	5,369,835	12/1994	Clarke	15/167.1
2,685,703	8/1954	Dellenbach	15/167.1	5,371,915	12/1994	Key	15/167.1
2,697,239	12/1954	Funk	15/167.1	5,383,244	1/1995	Ahrens et al.	15/167.1 X
2,864,111	12/1958	Rotceig	15/168	5,392,483	2/1995	Heinzelman et al.	15/167.1
2,934,776	5/1960	Clemens	15/167.1	5,481,775	1/1996	Gentile et al.	15/167.1 X
3,103,679	9/1963	Clemens	15/167.1	5,522,109	6/1996	Chan	15/167.1 X
3,258,805	7/1966	Rossnan	15/110	5,570,487	11/1996	Schneider	15/167.1
4,010,509	3/1977	Huish	15/167.1	5,613,262	3/1997	Choy-Maldonado	15/160
4,109,339	8/1978	Dietrich	15/167.1	5,622,502	4/1997	Wilkes et al.	15/167.1
4,115,894	9/1978	Peterson	15/167.1	5,628,082	5/1997	Moskovich	15/110 X
4,185,349	1/1980	Papas	15/106	5,787,540	8/1998	Hirschmann	15/167.1
4,306,327	12/1981	Zeski	15/167.1	5,792,159	8/1998	Amin	606/161
4,429,434 *	2/1984	Sung-shan	15/167.1 X	5,836,033 *	11/1998	Berge	15/110
4,463,470	8/1984	Willis	15/167.1	5,884,354	3/1999	Anderson	15/167.1

* cited by examiner

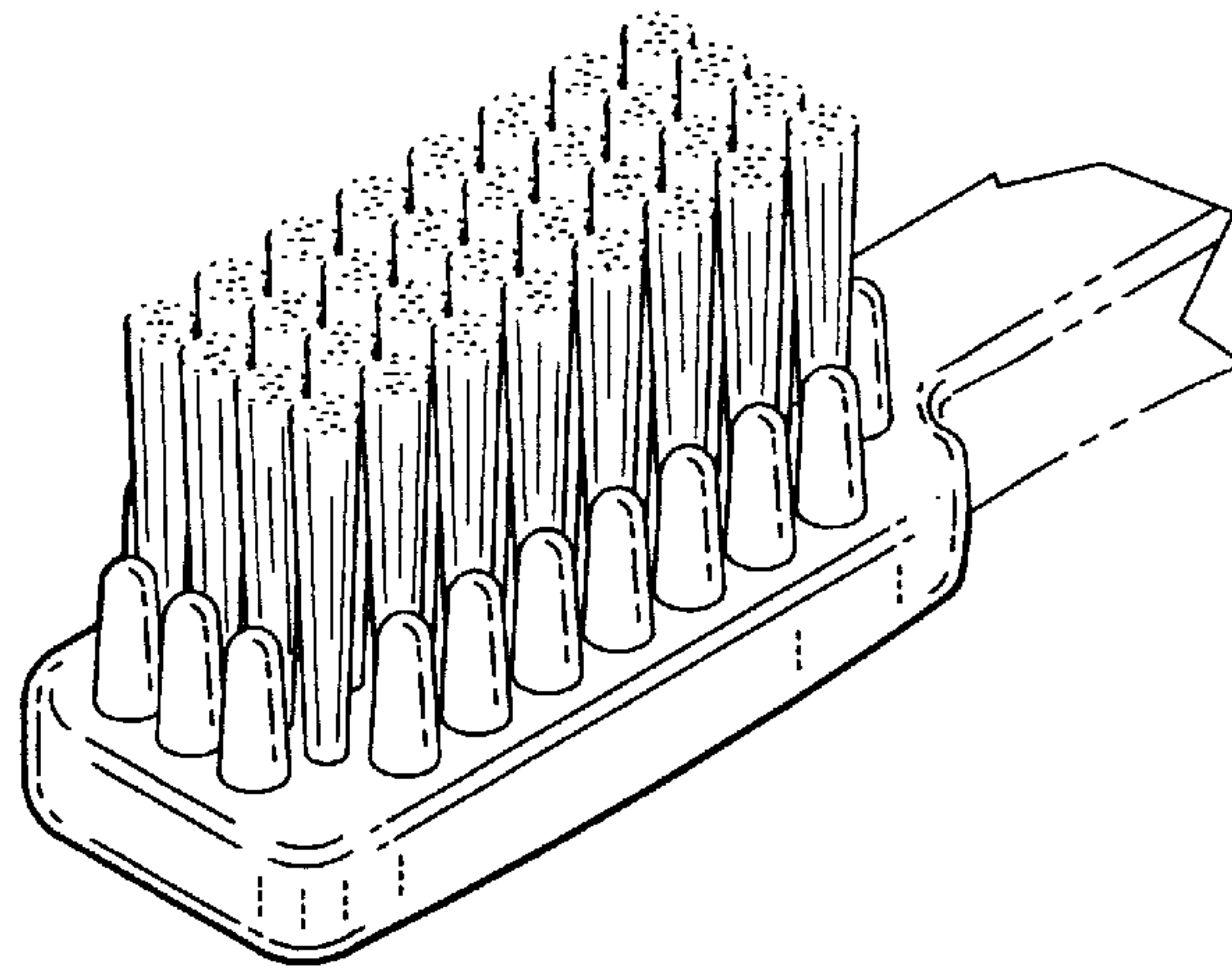


FIG. 1

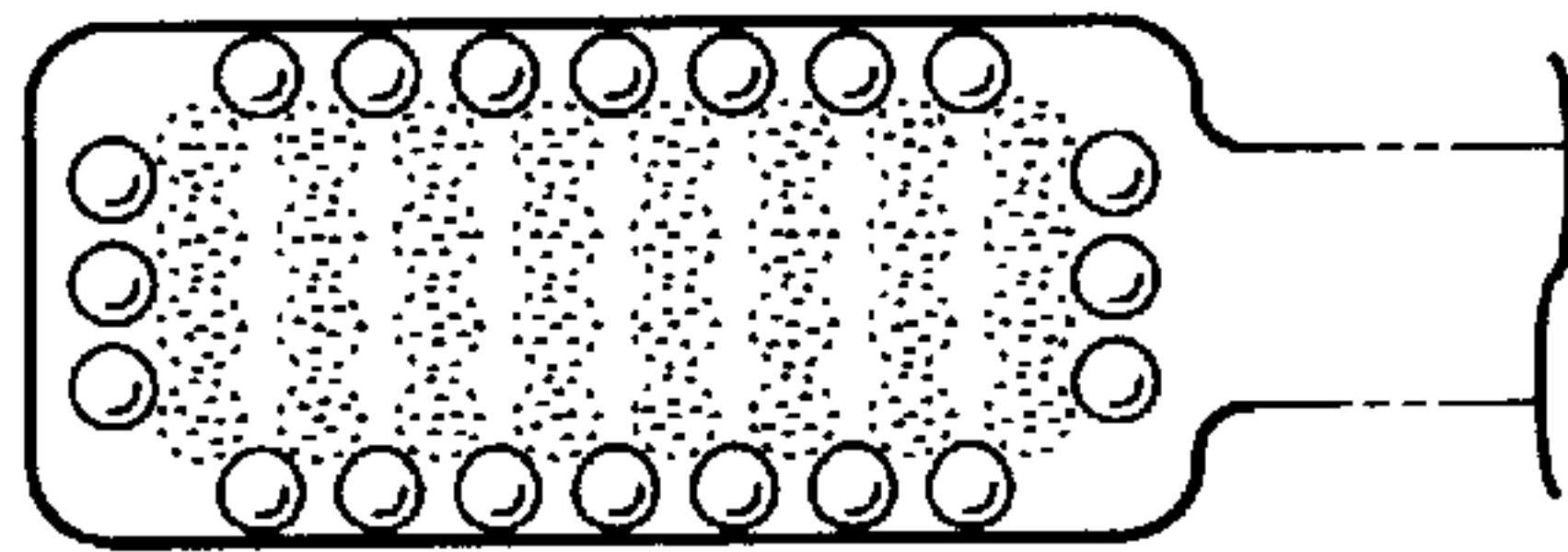


FIG. 2

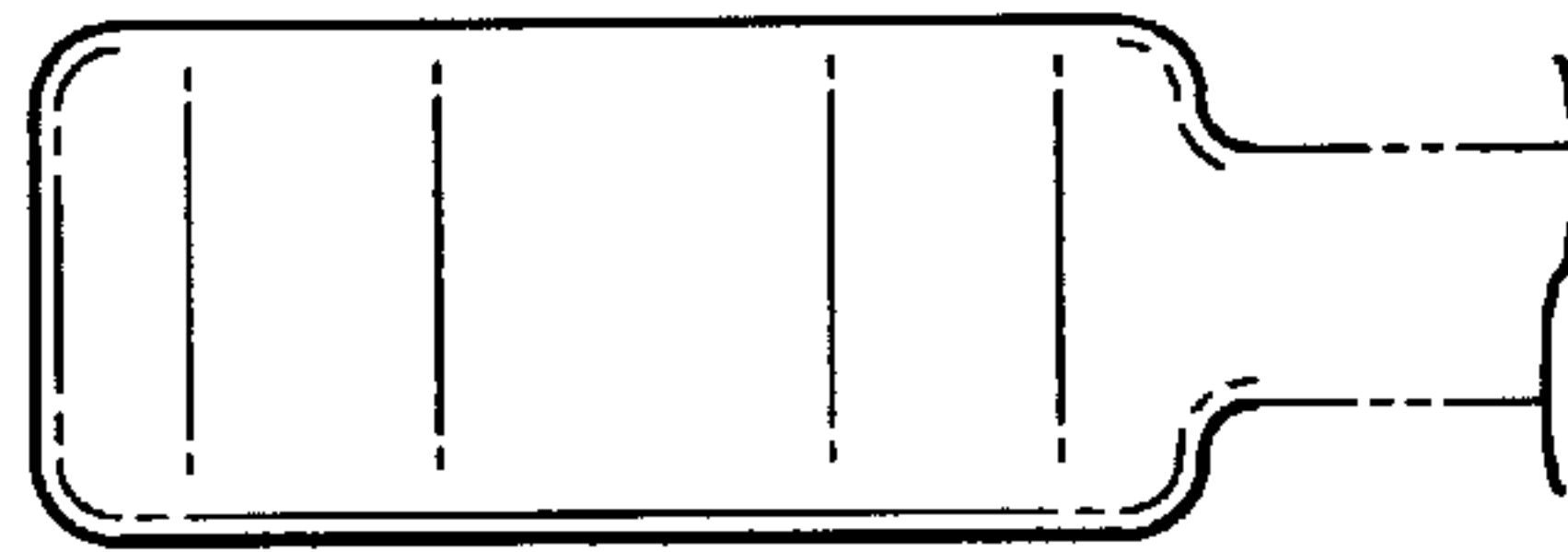


FIG. 3

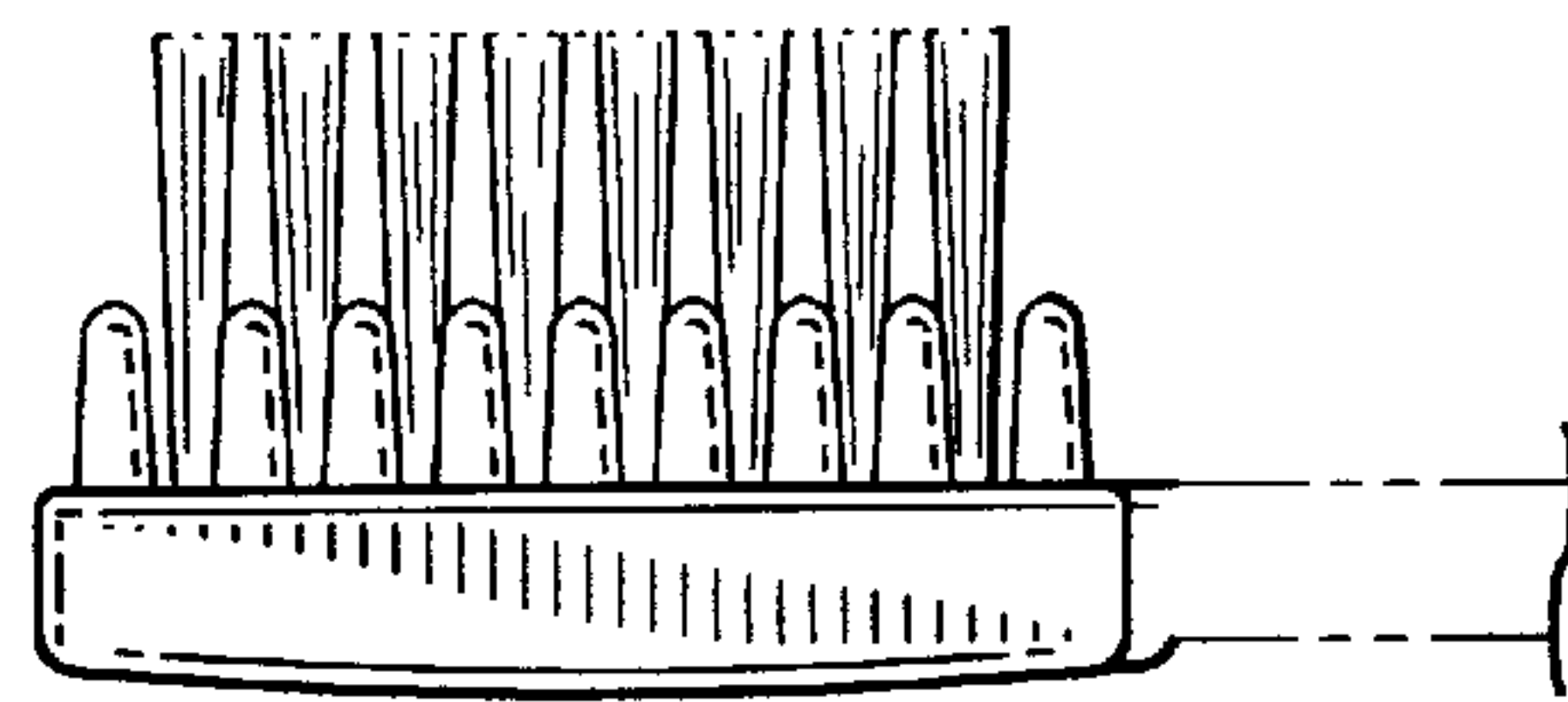


FIG. 4

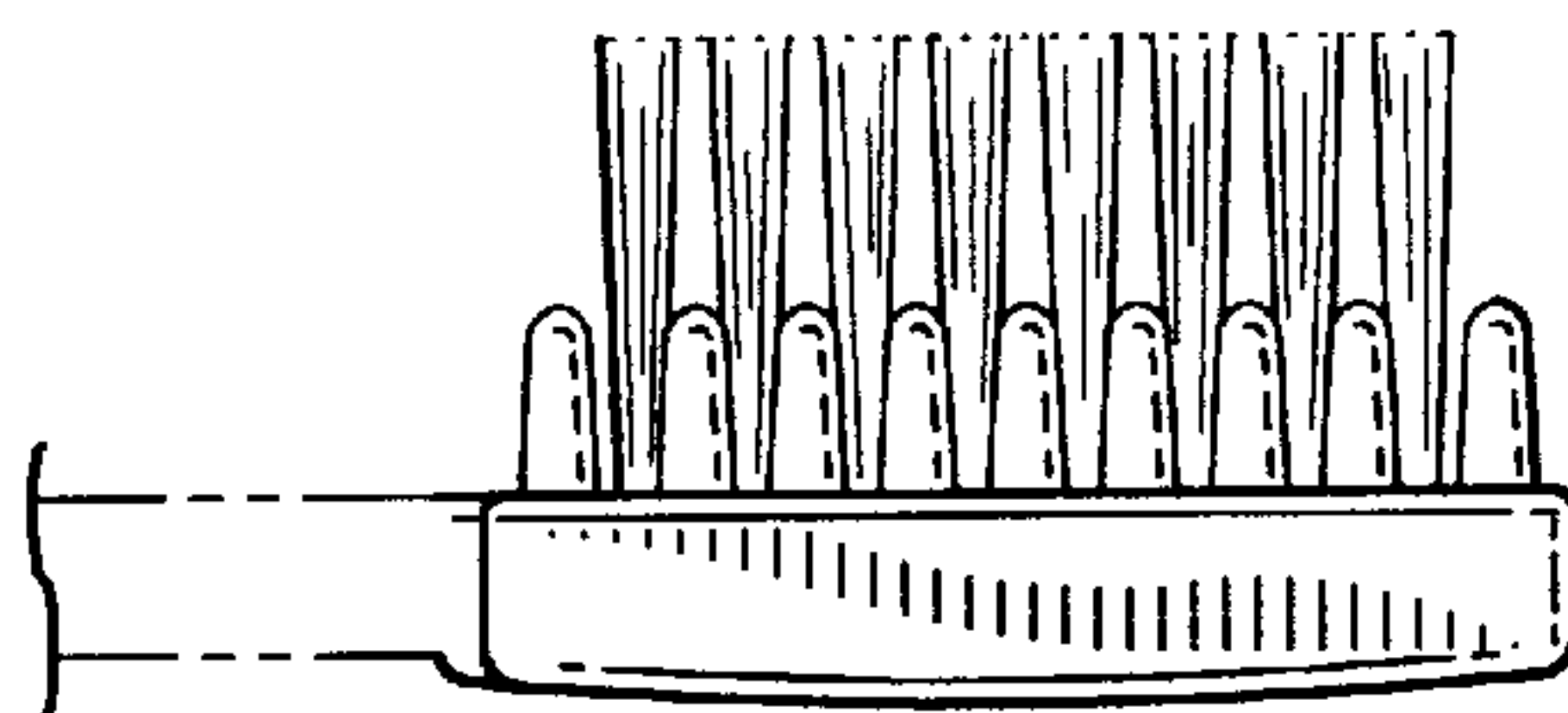


FIG. 5

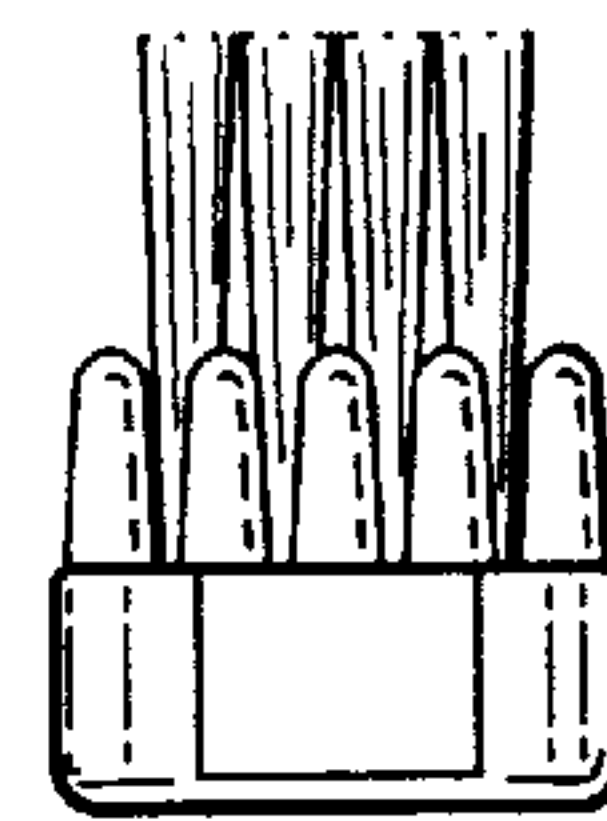


FIG. 6

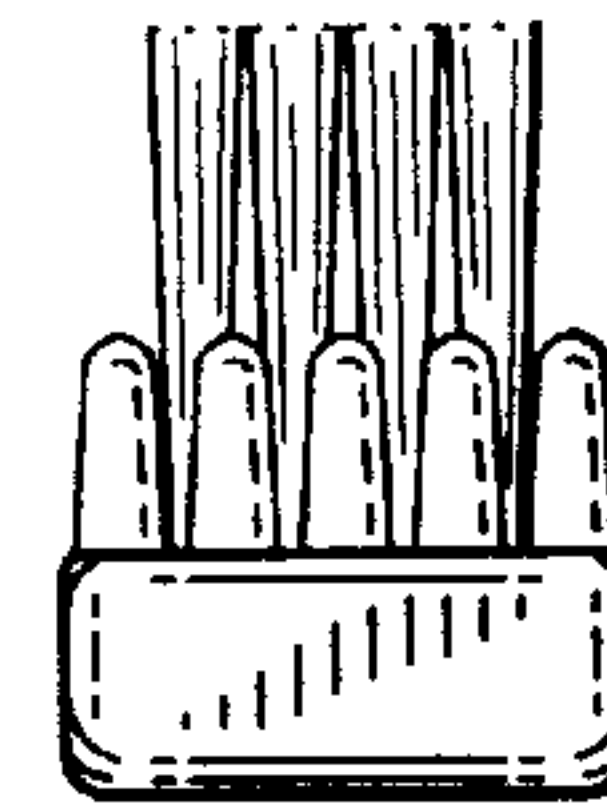


FIG. 7