



US00D443137S

(12) **United States Design Patent**
Lai

(10) **Patent No.:** **US D443,137 S**

(45) **Date of Patent:** **** Jun. 5, 2001**

(54) **COSMETIC BOX**

(75) Inventor: **Chin-Chun Lai**, Hsinchu (TW)

(73) Assignee: **Chao Ling Chemical Ind. Co., Ltd.**,
Hsinchu (TW)

(**) Term: **14 Years**

(21) Appl. No.: **29/132,056**

(22) Filed: **Nov. 2, 2000**

(51) **LOC (7) Cl.** **03-01**

(52) **U.S. Cl.** **D3/295; D3/901; D28/83**

(58) **Field of Search** D28/76-84, 73;
D9/341, 347, 420-423; D3/273-275, 294-297,
901; 206/581, 823, 235, 275, 81, 1.8; 190/16;
132/286, 287, 293-297, 314-318; 220/DIG. 26,
503

(56) **References Cited**

U.S. PATENT DOCUMENTS

D. 42,949	*	8/1912	Perkins	D9/423
D. 209,438	*	11/1967	Rothman	D3/296
D. 258,470	*	3/1981	Chun	D3/296
D. 290,535	*	6/1987	Chen	D28/78
D. 290,536	*	6/1987	Nadel	D28/83
D. 305,781	*	1/1990	Ukisu	D28/77 X

D. 322,162	*	12/1991	Wu	D9/341
D. 361,430	*	8/1995	Mohundro	D3/297
D. 373,221	*	8/1996	Lai	D28/83
823,778	*	6/1906	Heckbeck	190/16 X
4,744,376	*	5/1988	Verducci	132/297
4,807,773	*	2/1989	Tsai	206/823

* cited by examiner

Primary Examiner—Philip S. Hyder

Assistant Examiner—C. Tuttle

(74) *Attorney, Agent, or Firm*—Browdy & Neimark

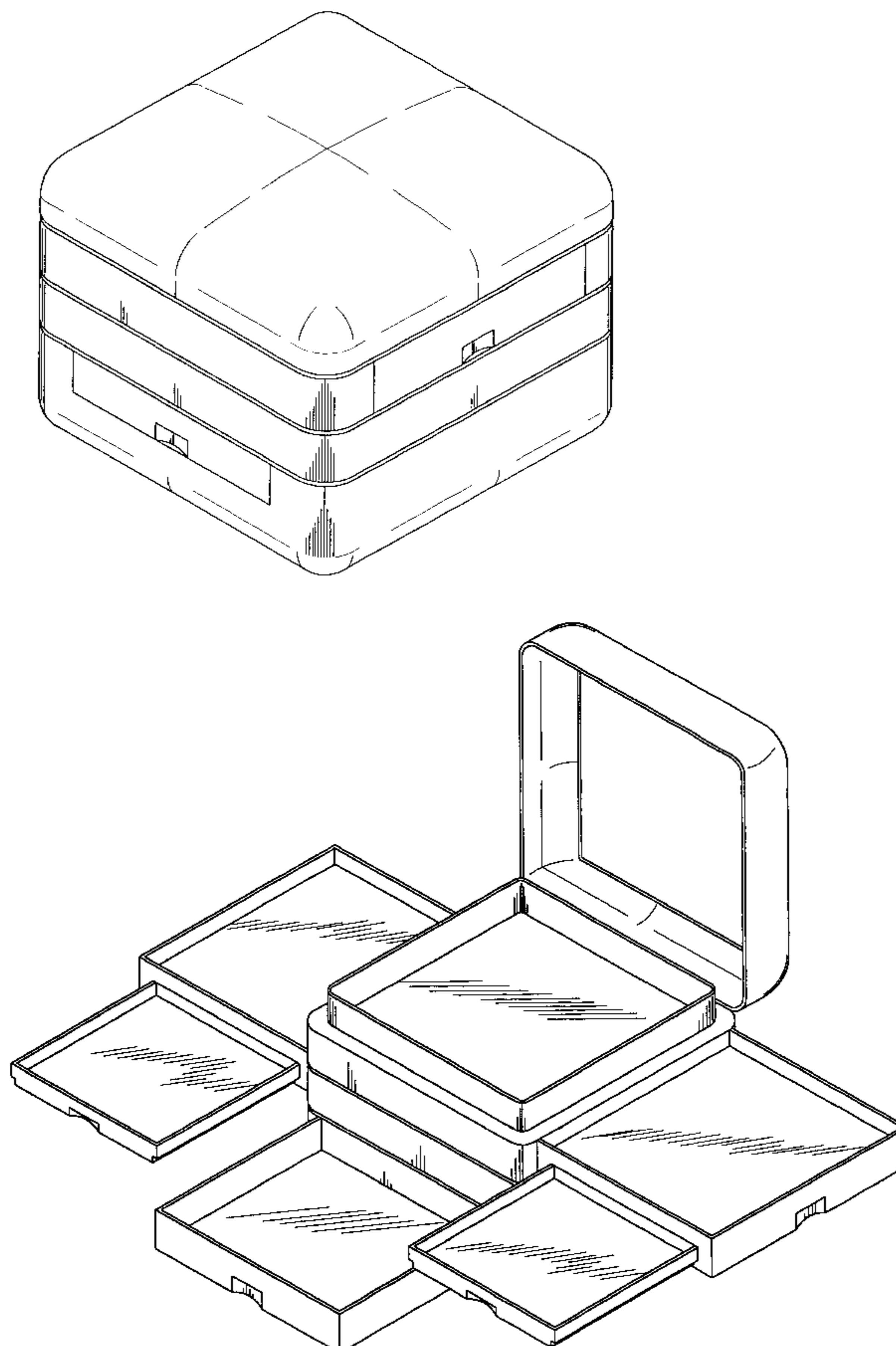
(57) **CLAIM**

The ornamental design for a cosmetic box, as shown and described.

DESCRIPTION

FIG. 1 is a perspective view of a cosmetic box showing my new design;
 FIG. 2 is right side elevational view thereof;
 FIG. 3 is a top view thereof;
 FIG. 4 is a front elevational view thereof;
 FIG. 5 is a bottom view thereof;
 FIG. 6 is a left side elevational view thereof;
 FIG. 7 is a rear elevational view thereof; and,
 FIG. 8 is expanded perspective view shown on a reduced scale.

1 Claim, 8 Drawing Sheets



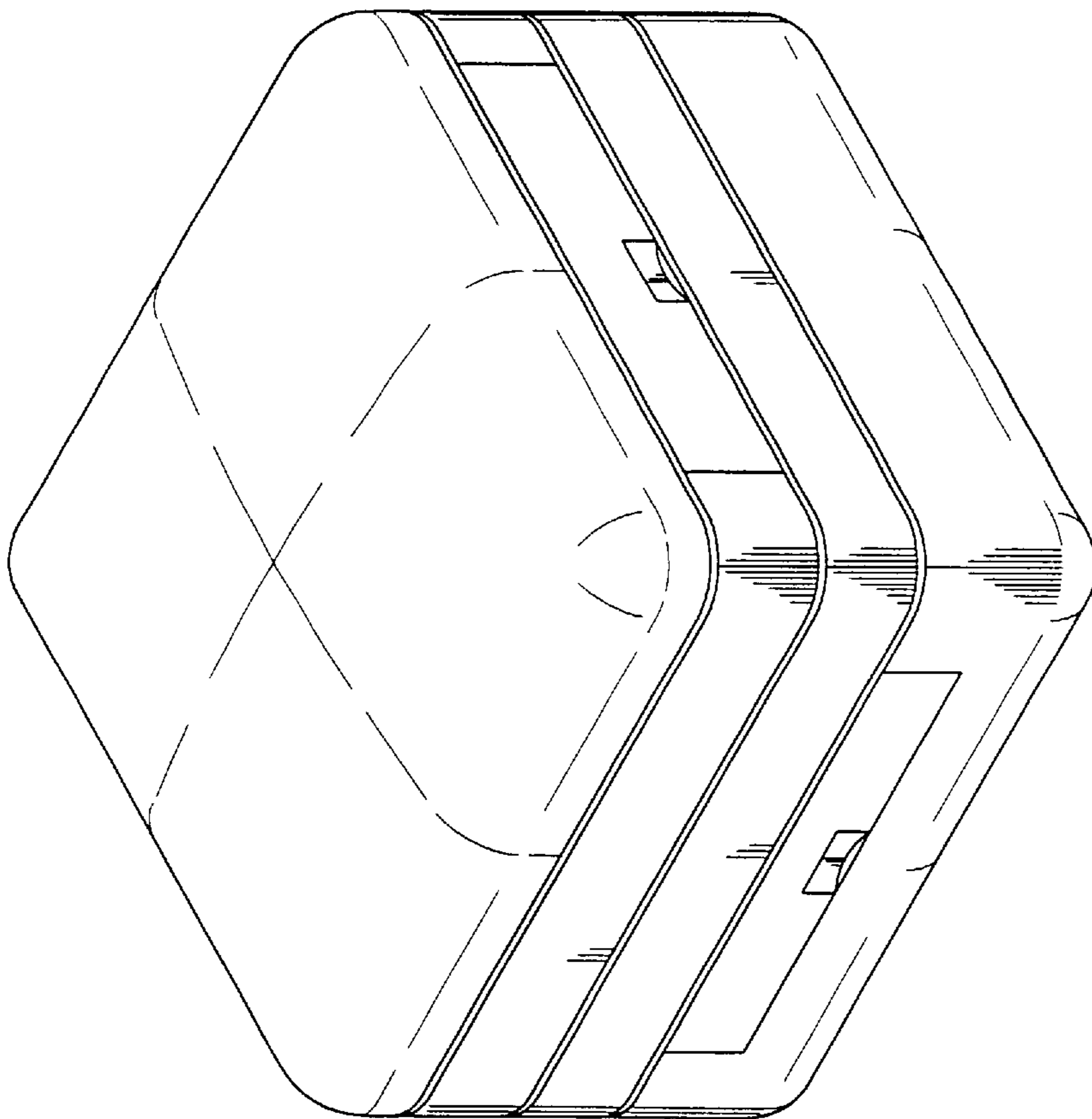


FIG. 1

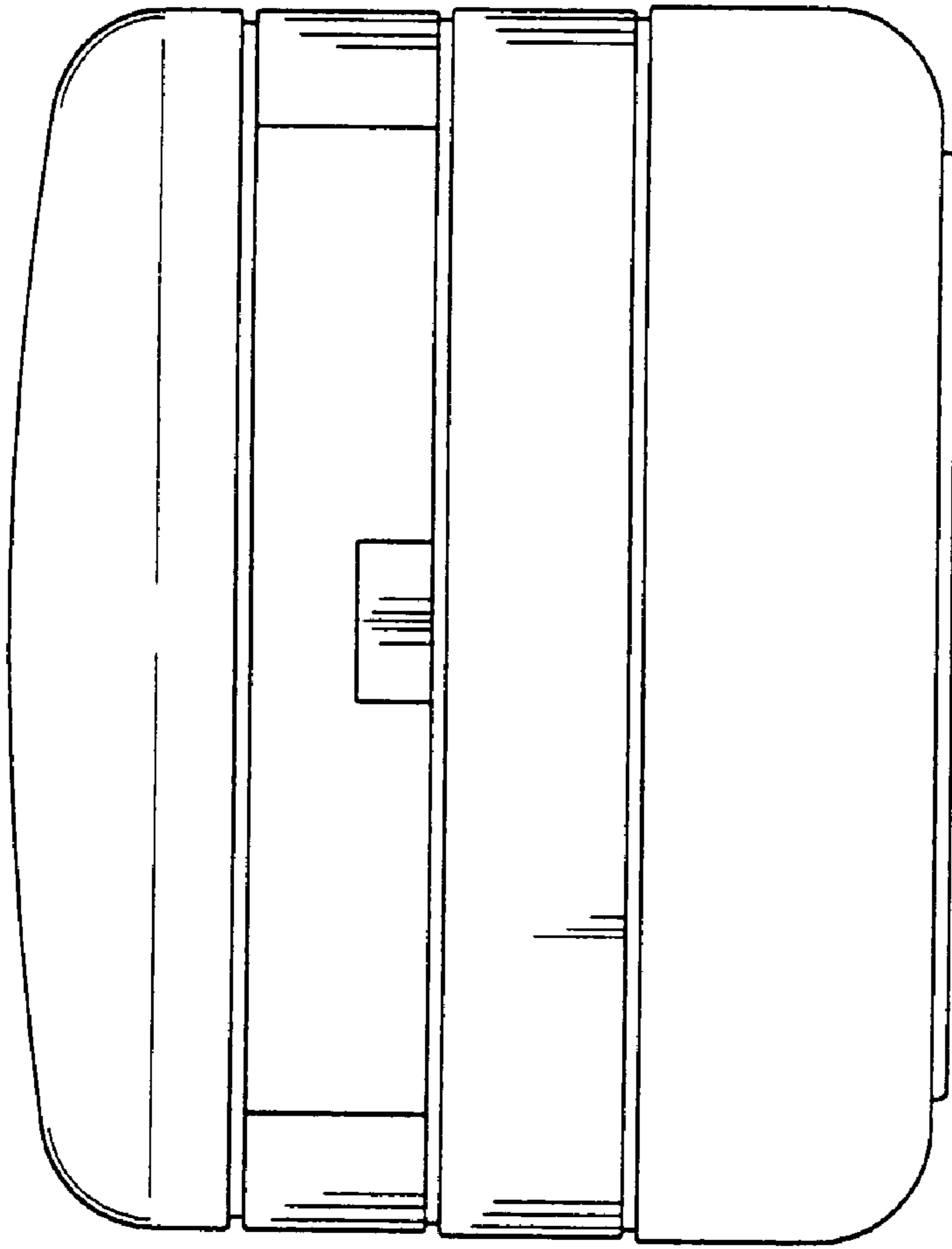


FIG. 2

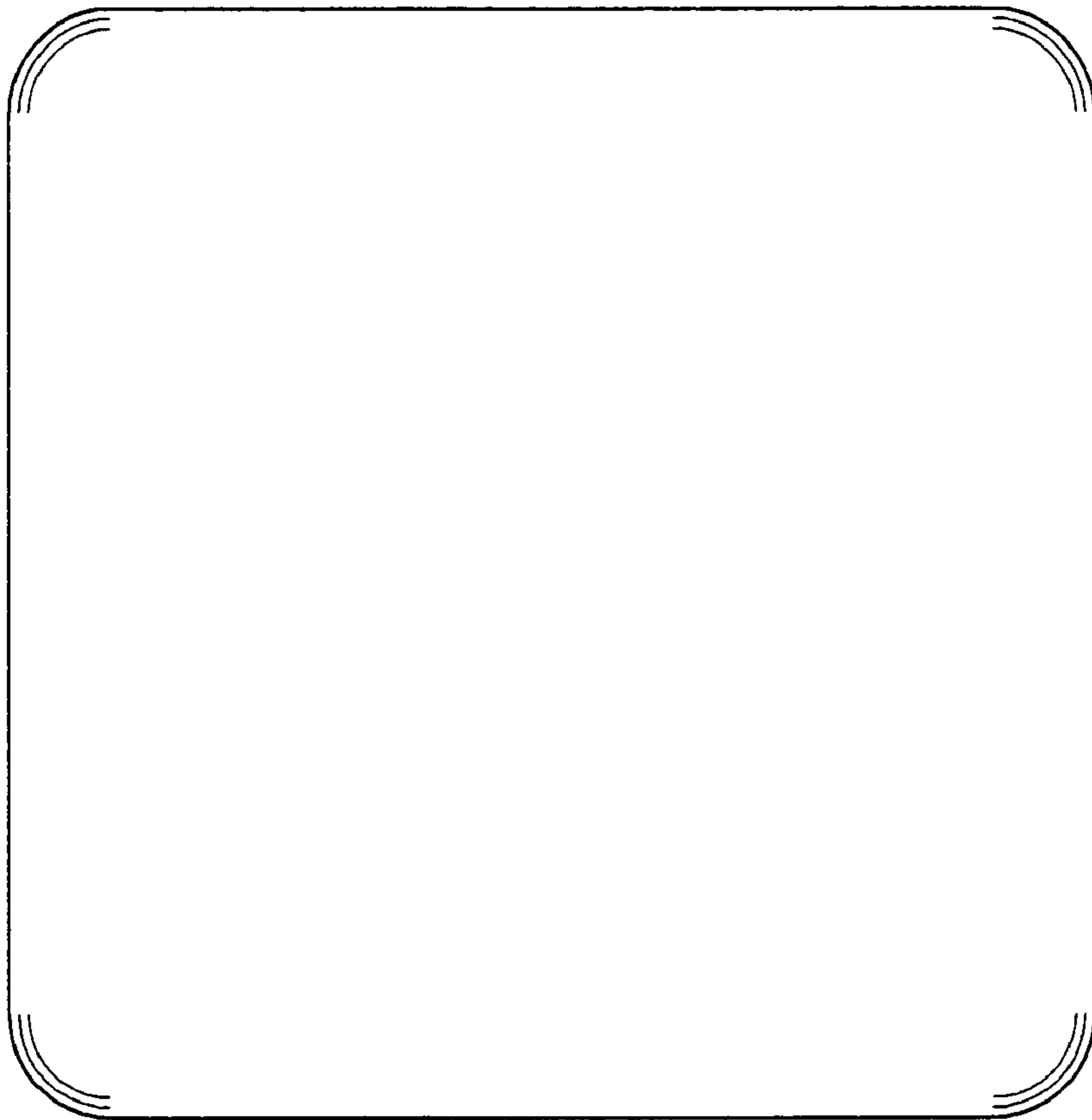


FIG. 3

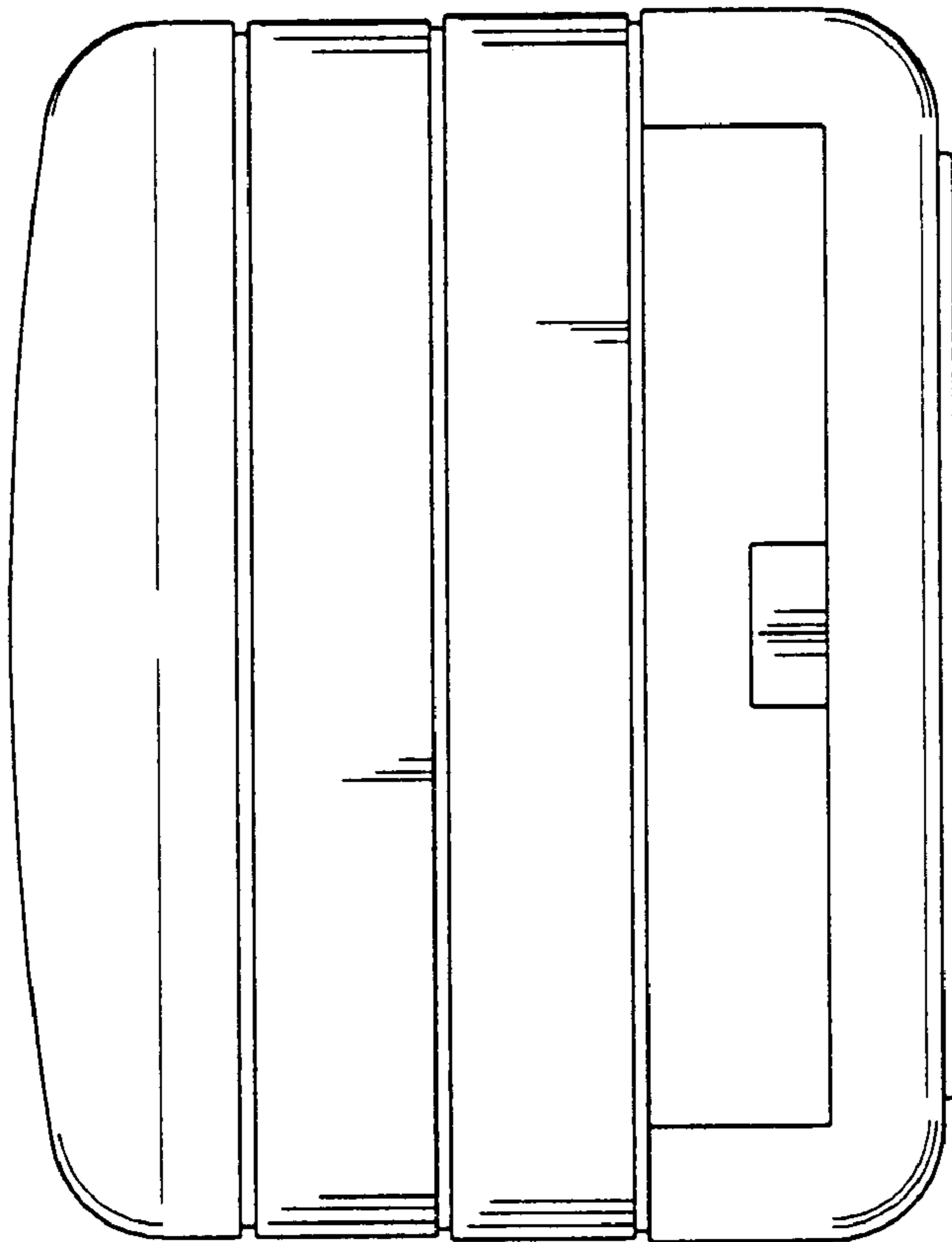


FIG. 4

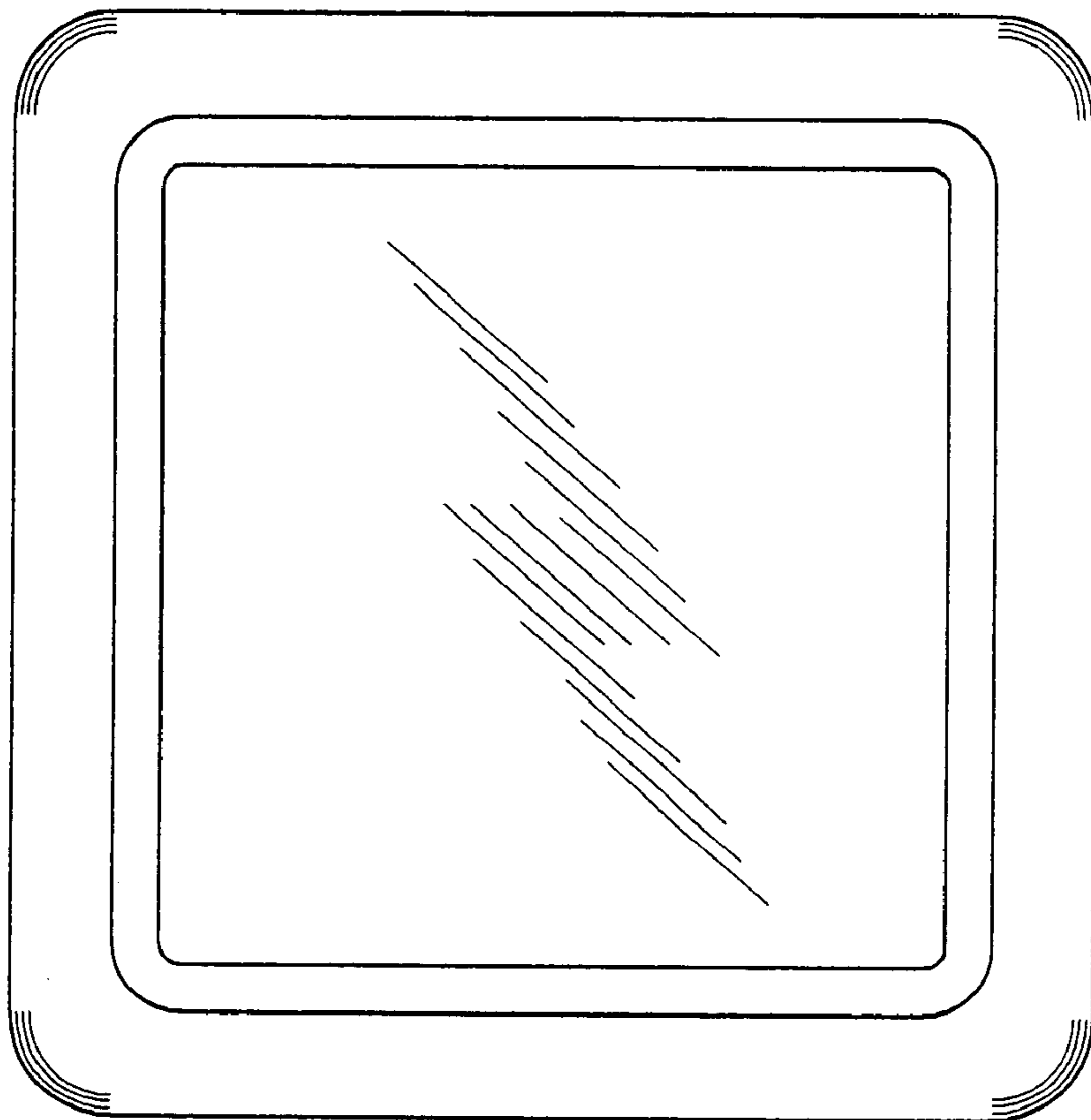


FIG. 5

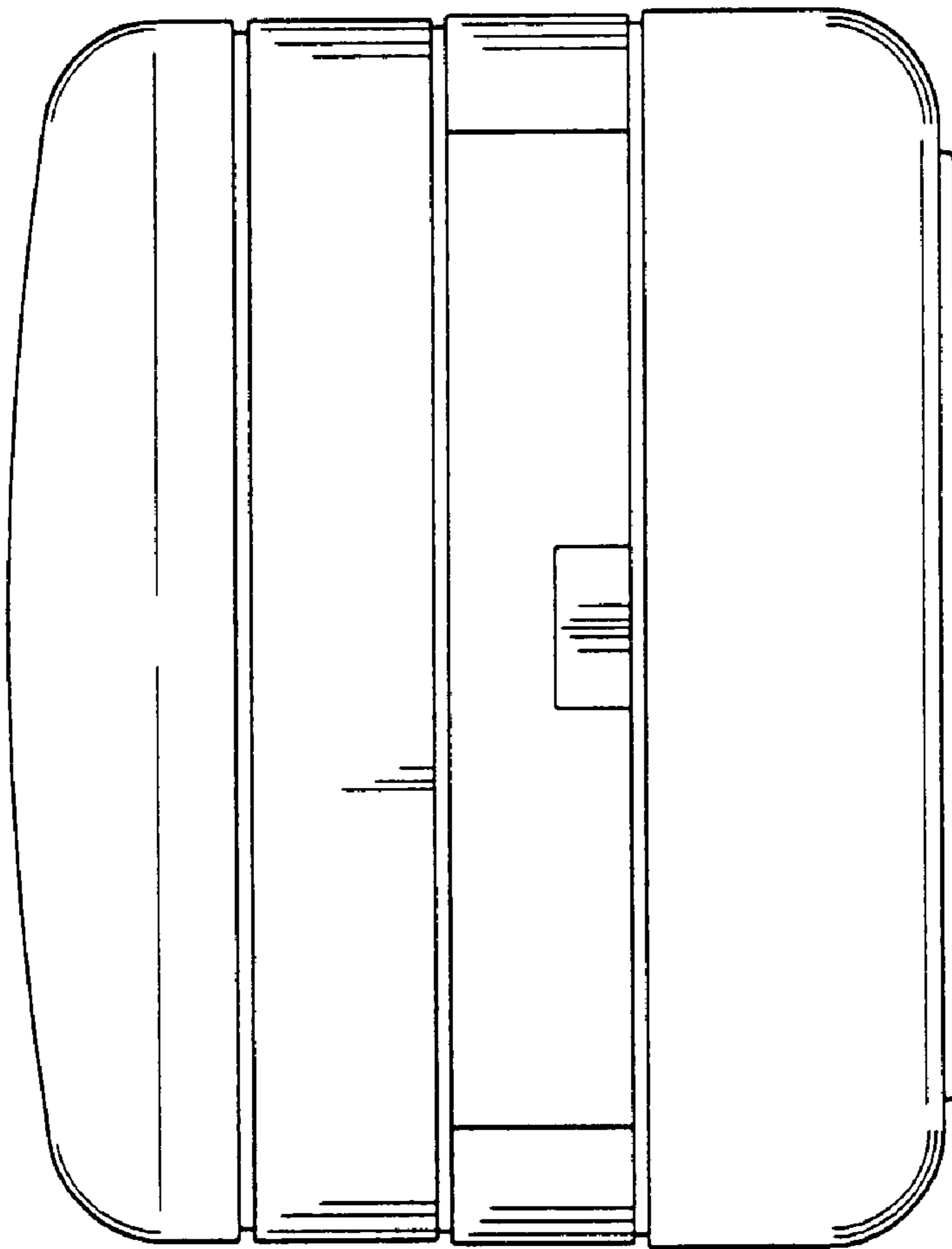


FIG. 6

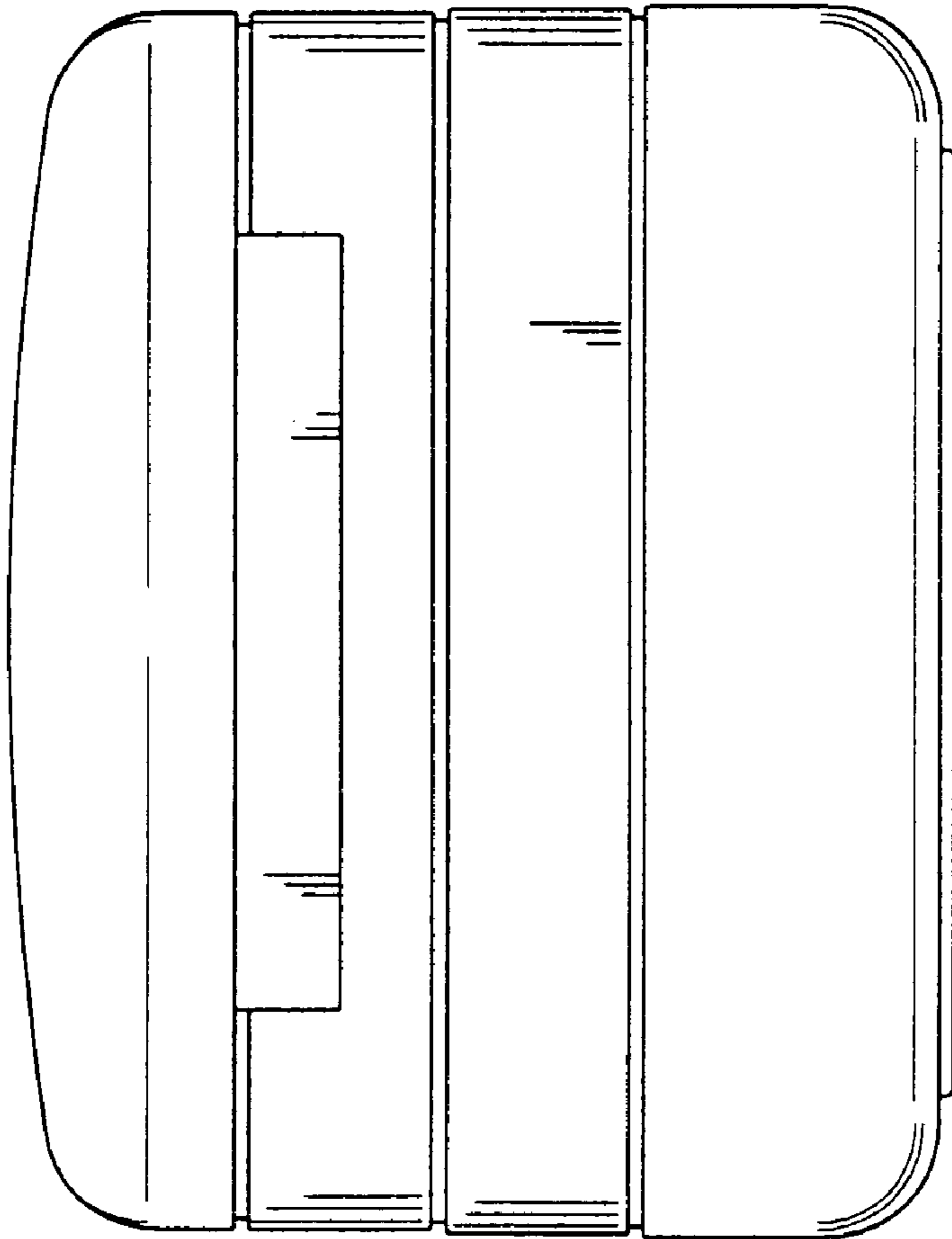


FIG. 7

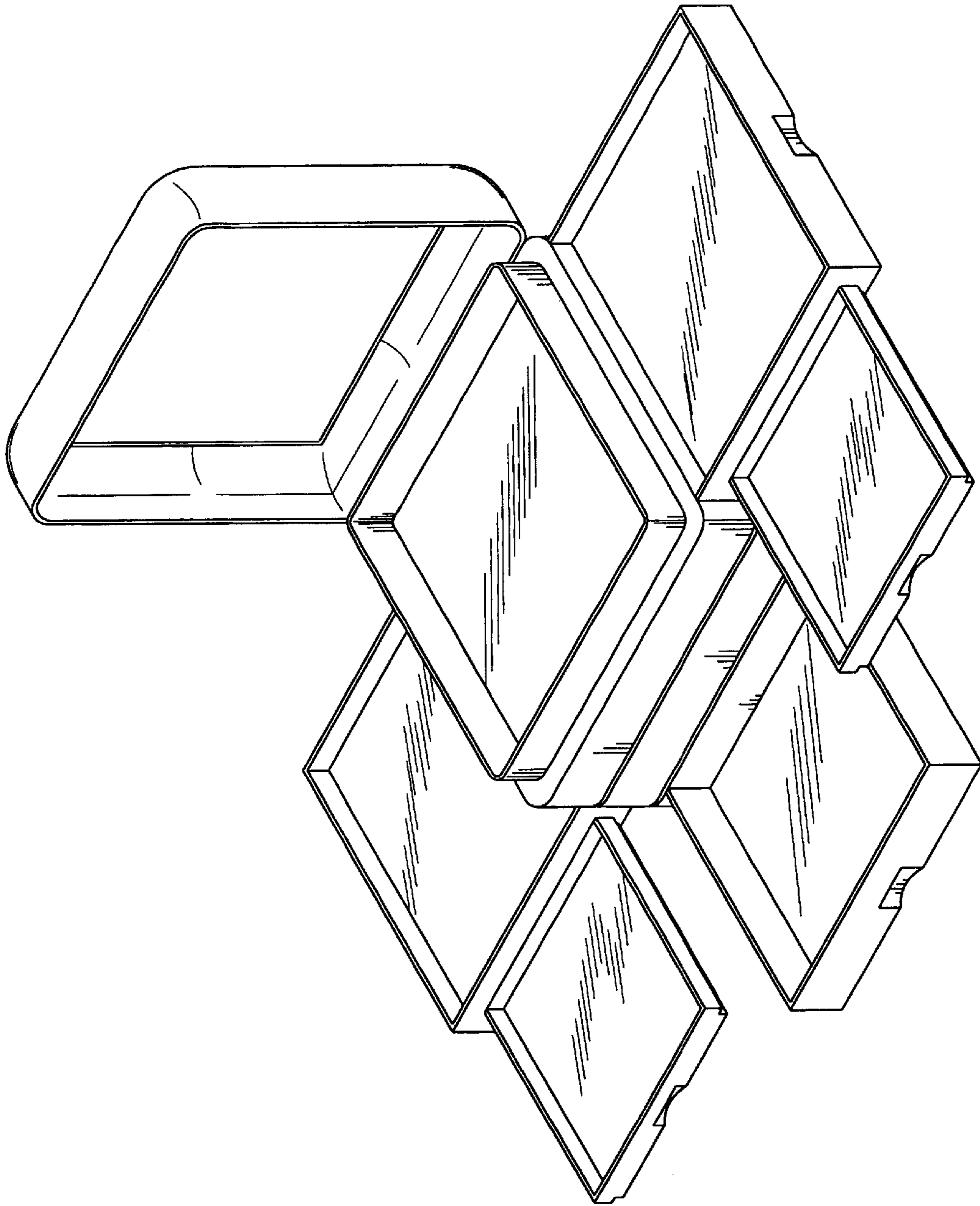


FIG. 8