



US00D443135S

(12) **United States Design Patent**  
**Marks et al.**

(10) **Patent No.:** **US D443,135 S**

(45) **Date of Patent:** **\*\* Jun. 5, 2001**

(54) **PERSONAL TOOL CARRYING DEVICE**

(75) Inventors: **Joel Marks; Surapon Arleekul**, both of Sherman Oaks, CA (US)

(73) Assignee: **WorkTools, Inc.**, Chatsworth, CA (US)

(\*\*) Term: **14 Years**

(21) Appl. No.: **29/127,615**

(22) Filed: **Aug. 10, 2000**

(51) **LOC (7) Cl.** ..... **03-01**

(52) **U.S. Cl.** ..... **D3/228**

(58) **Field of Search** ..... D3/228, 224, 226, D3/215, 207-212; 224/268, 242, 240, 245, 904, 901, 674, 666

(56) **References Cited**

**U.S. PATENT DOCUMENTS**

D. 275,527	*	9/1984	Gee	.....	D3/228
5,687,892	*	11/1997	Johns	.....	224/268
5,743,451	*	4/1998	Kahn	.....	224/268
6,062,449	*	5/2000	Kahn	.....	224/268

\* cited by examiner

*Primary Examiner*—Louis S. Zarfaz

*Assistant Examiner*—Catherine R. Oliver

(74) *Attorney, Agent, or Firm*—Brad I Golstein

(57) **CLAIM**

The ornamental design for a personal tool carrying device, as shown and described.

**DESCRIPTION**

FIG. 1 is a perspective front elevational view of a personal tool carrying device showing our new design;

FIG. 2 is a side elevational view of a personal tool carrying device showing our new design;

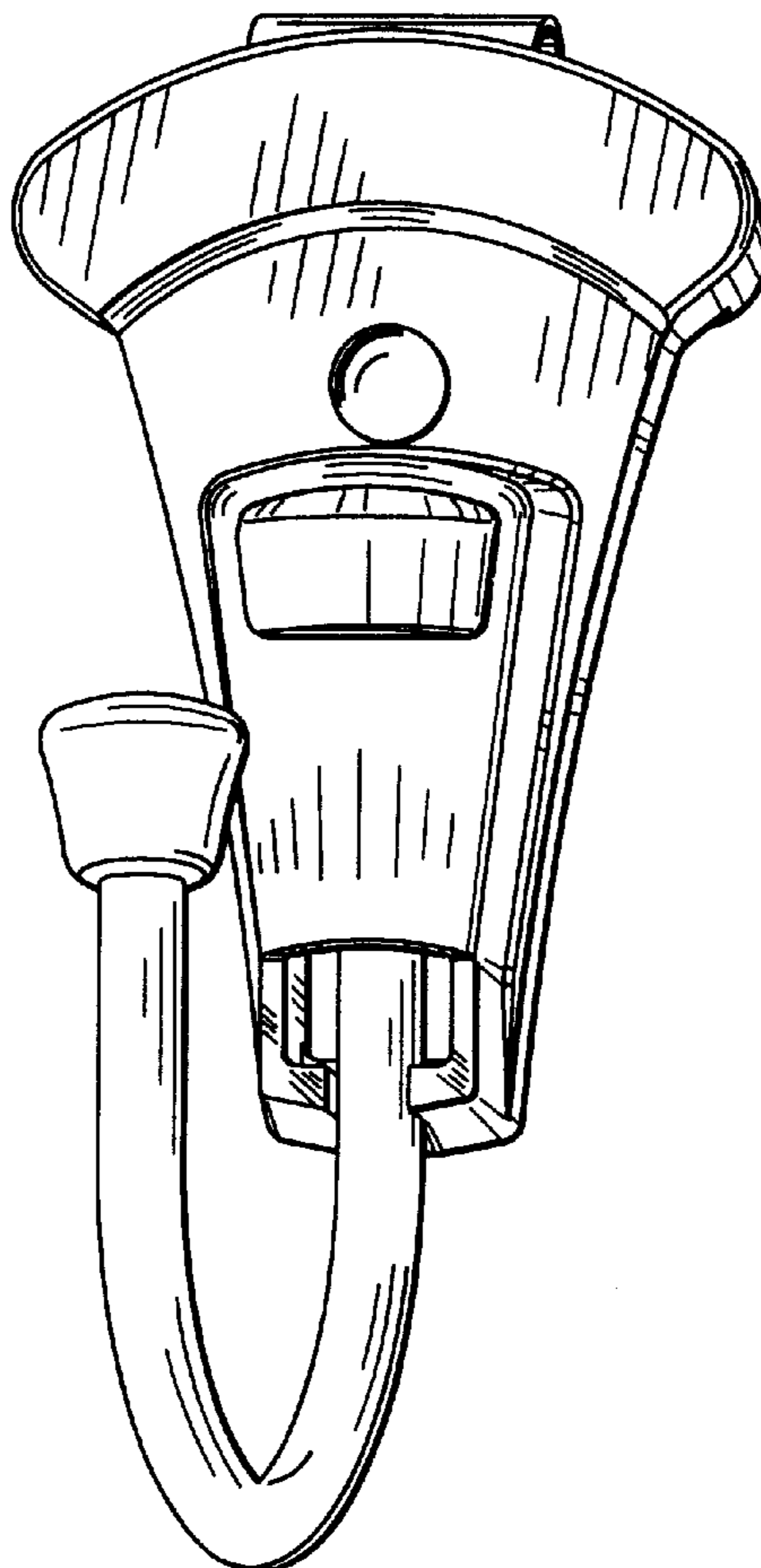
FIG. 3 is a front view of a personal tool carrying device showing our new design;

FIG. 4 is a rear view of a personal tool carrying device showing our new design;

FIG. 5 is a bottom view of a personal tool carrying device showing our new design; and,

FIG. 6 is a top view of a personal tool carrying device showing our new design.

**1 Claim, 3 Drawing Sheets**



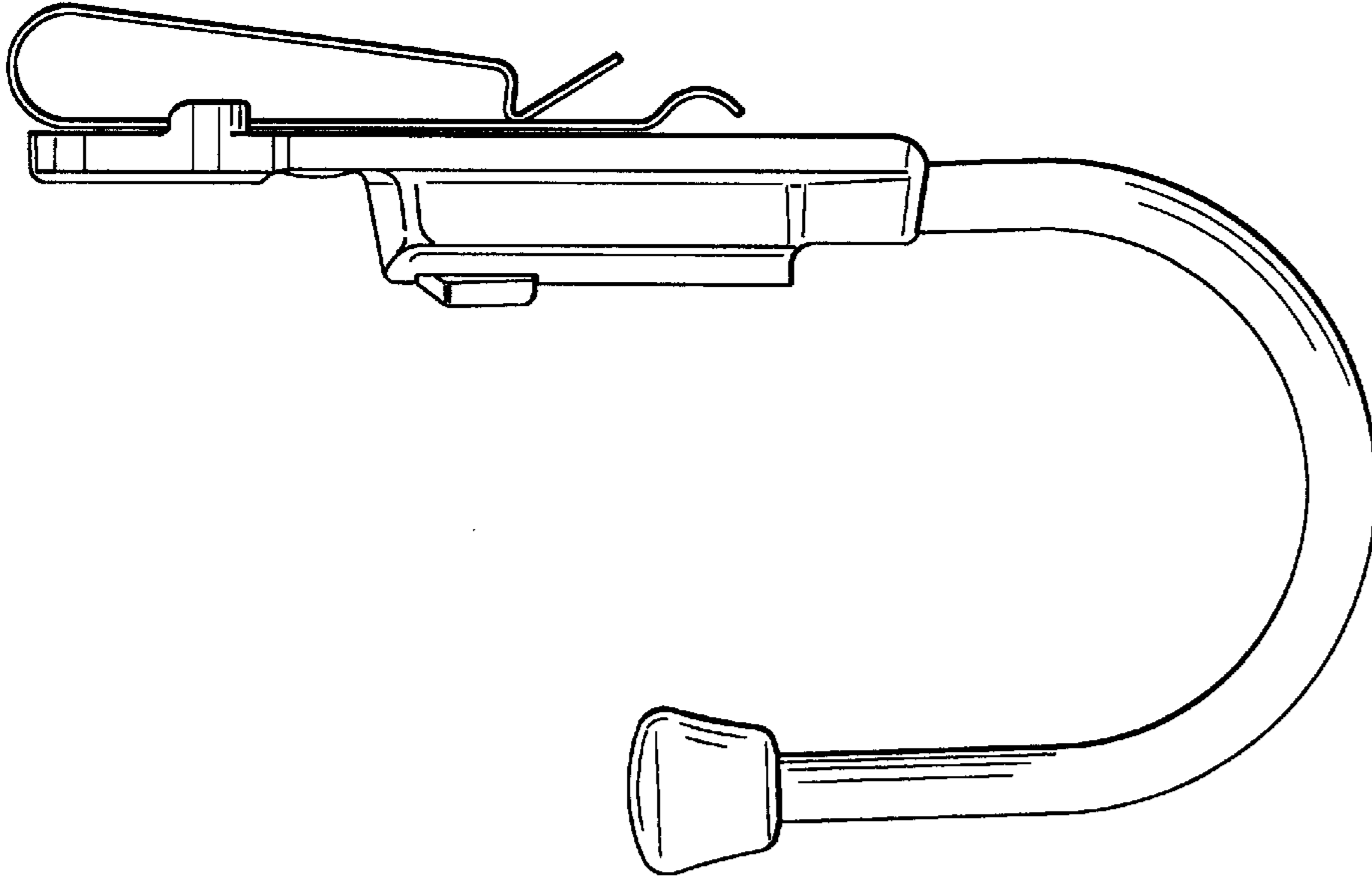


Fig. 2

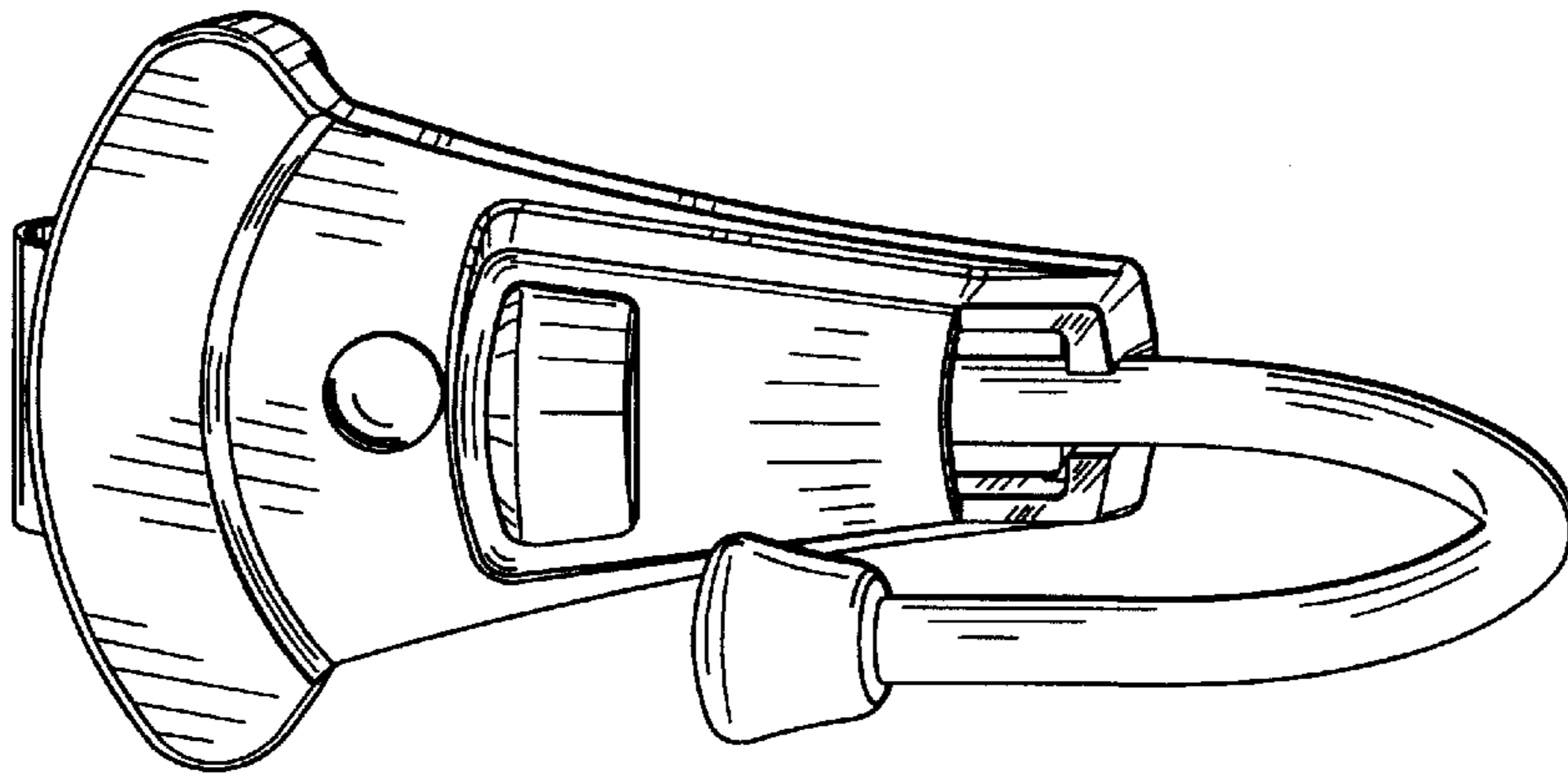


Fig. 1

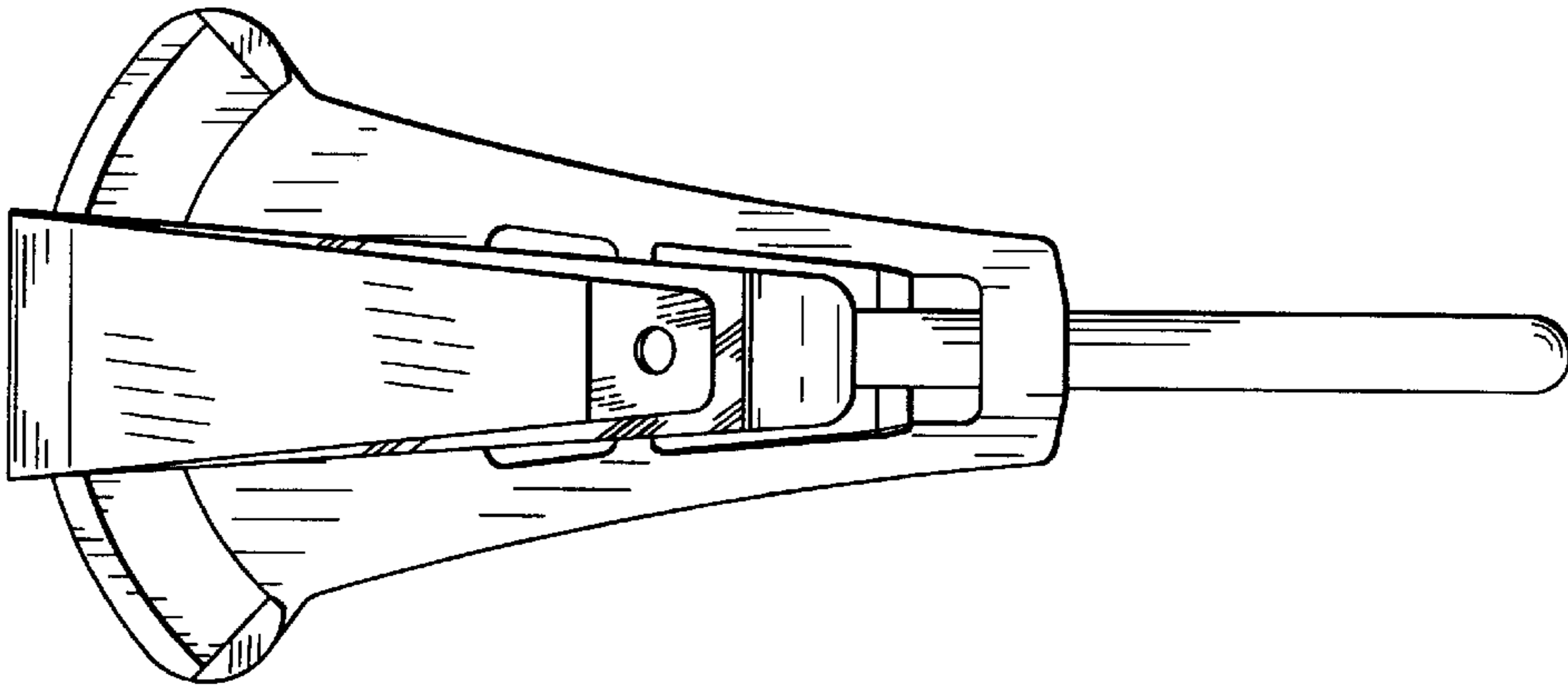


Fig. 4

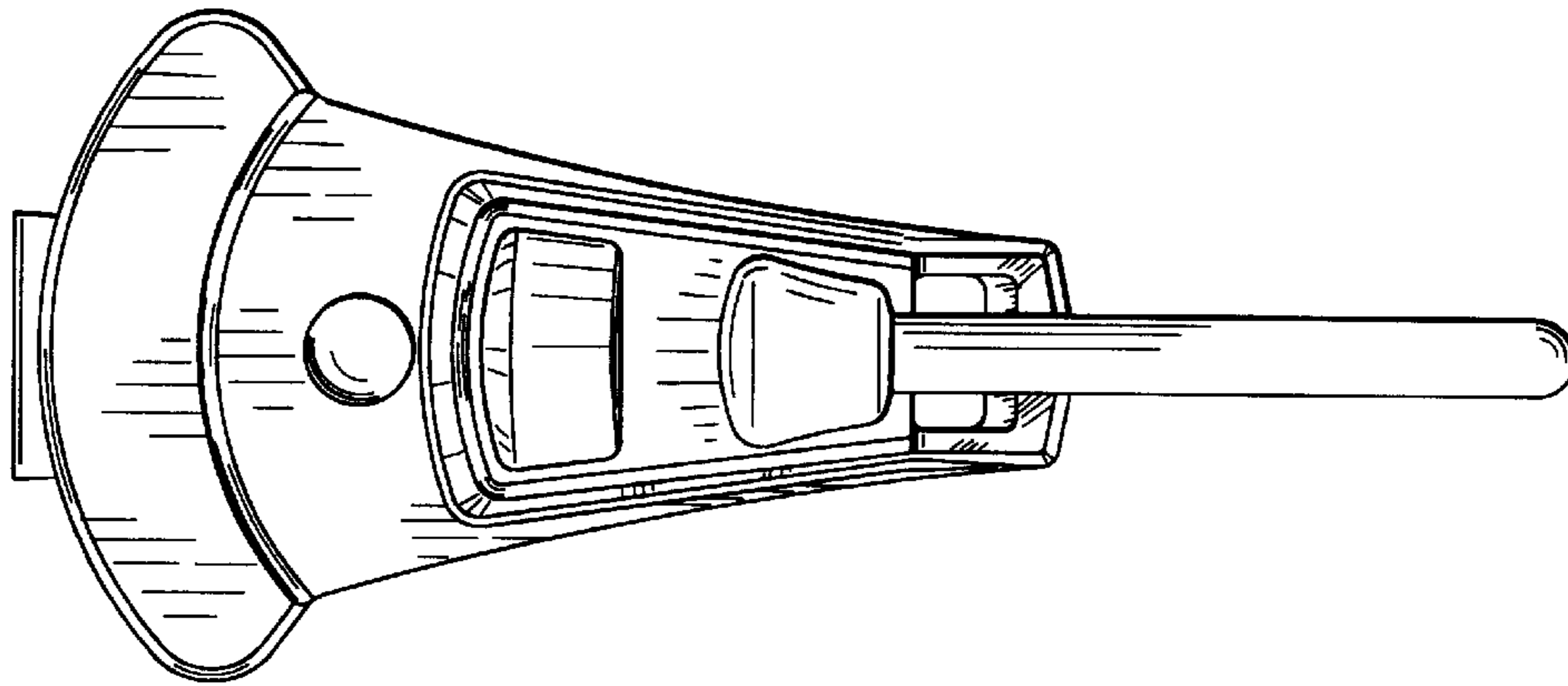


Fig. 3

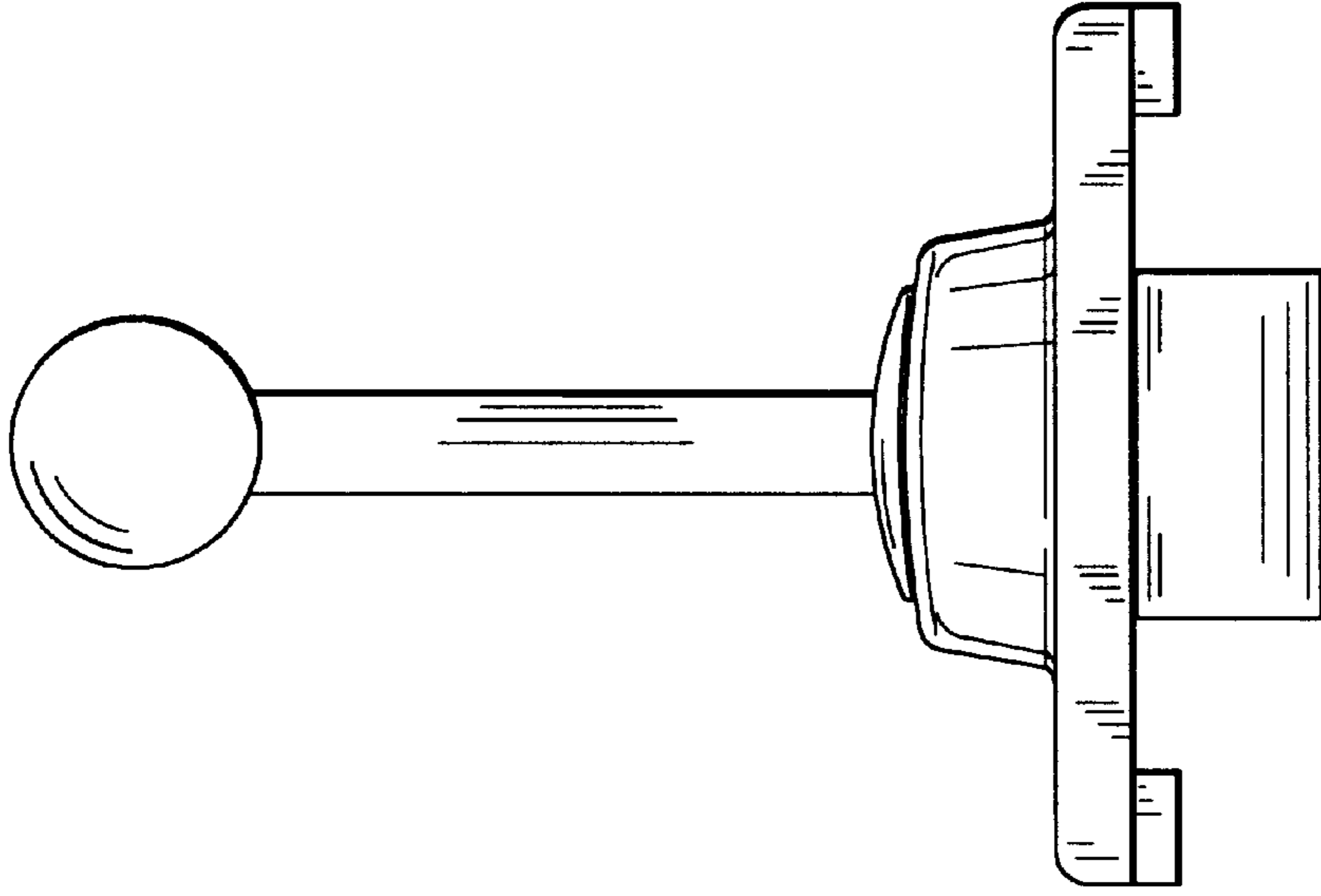


Fig. 6

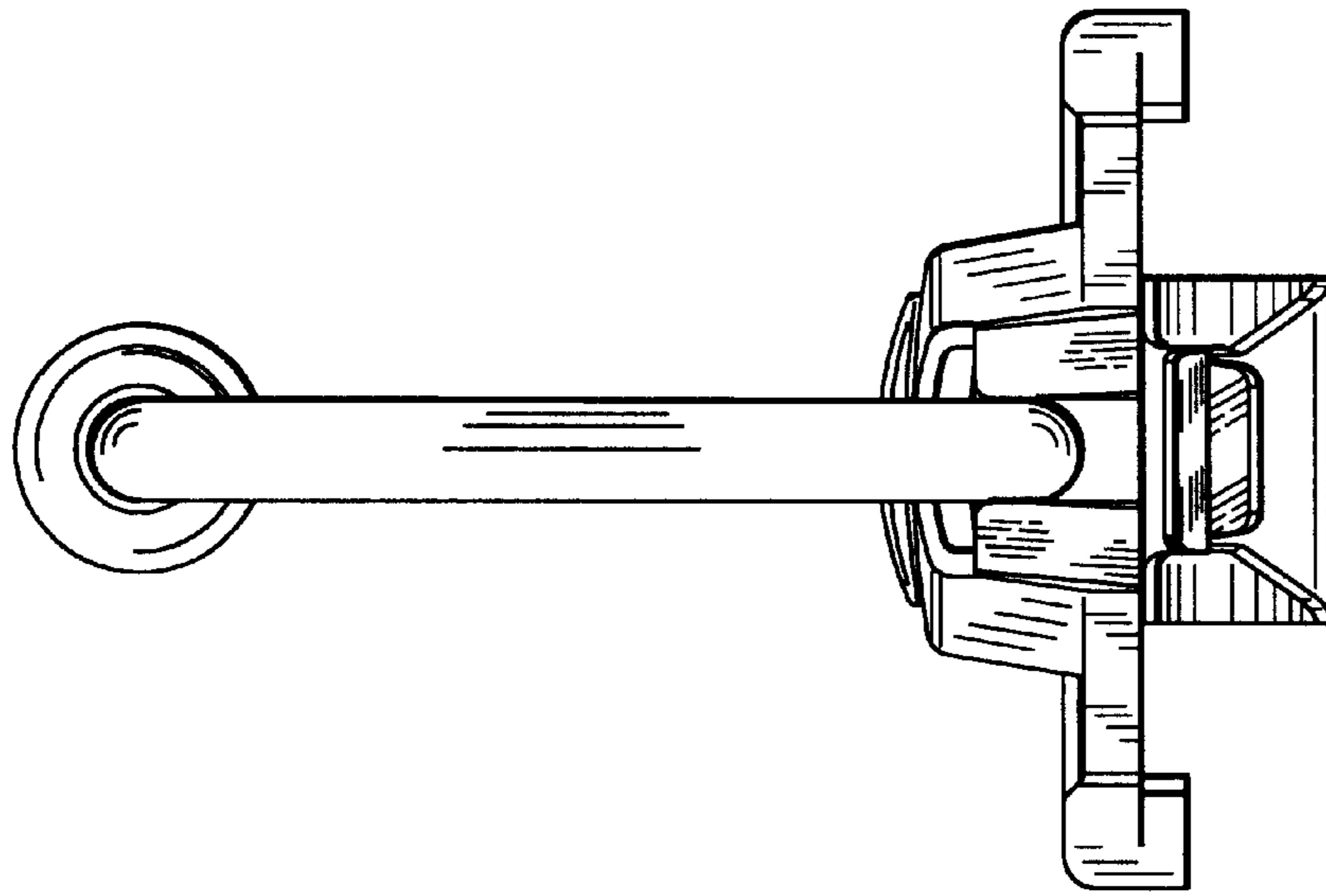


Fig. 5