



US00D443128S

(12) **United States Design Patent**
Lam

(10) **Patent No.:** **US D443,128 S**

(45) **Date of Patent:** **** Jun. 5, 2001**

(54) **RIPPLED PASTA**

(75) Inventor: **Lily Lam**, Brampton (CA)

(73) Assignee: **Lipton, division of Conopco, Inc.**,
Englewood Cliffs, NJ (US)

(**) Term: **14 Years**

(21) Appl. No.: **29/121,348**

(22) Filed: **Apr. 5, 2000**

(51) **LOC (7) Cl.** **01-01**

(52) **U.S. Cl.** **D1/126**

(58) **Field of Search** D11/125, 128,
D11/199; 426/104, 144, 138, 552, 451,
502, 516, 517

(56) **References Cited**

U.S. PATENT DOCUMENTS

D. 310,287	*	9/1990	Pellegrino	D1/126
D. 311,627	*	10/1990	Cadestin	D1/126
D. 311,628	*	10/1990	Scalf et al.	D1/126
2,686,720	*	8/1954	Rosa	426/144
4,166,136	*	8/1979	Stoll	426/144

OTHER PUBLICATIONS

Willan, Anne, Editor, 101 Essential Pasta Tips, (New York: Dorling Kindersley Publishing, Inc.), ridged lasagne, p. 12, ©1995.*

* cited by examiner

Primary Examiner—Alan P. Douglas

Assistant Examiner—Linda Brooks

(74) *Attorney, Agent, or Firm*—James J. Farrell

(57) **CLAIM**

The ornamental design for a rippled pasta, substantially as shown and described.

DESCRIPTION

FIG. 1 is a perspective view of the rippled pasta of our new design which also shows a break to represent an indeterminate length;

FIG. 2 is a top plan view thereof;

FIG. 3 is a front elevational view thereof;

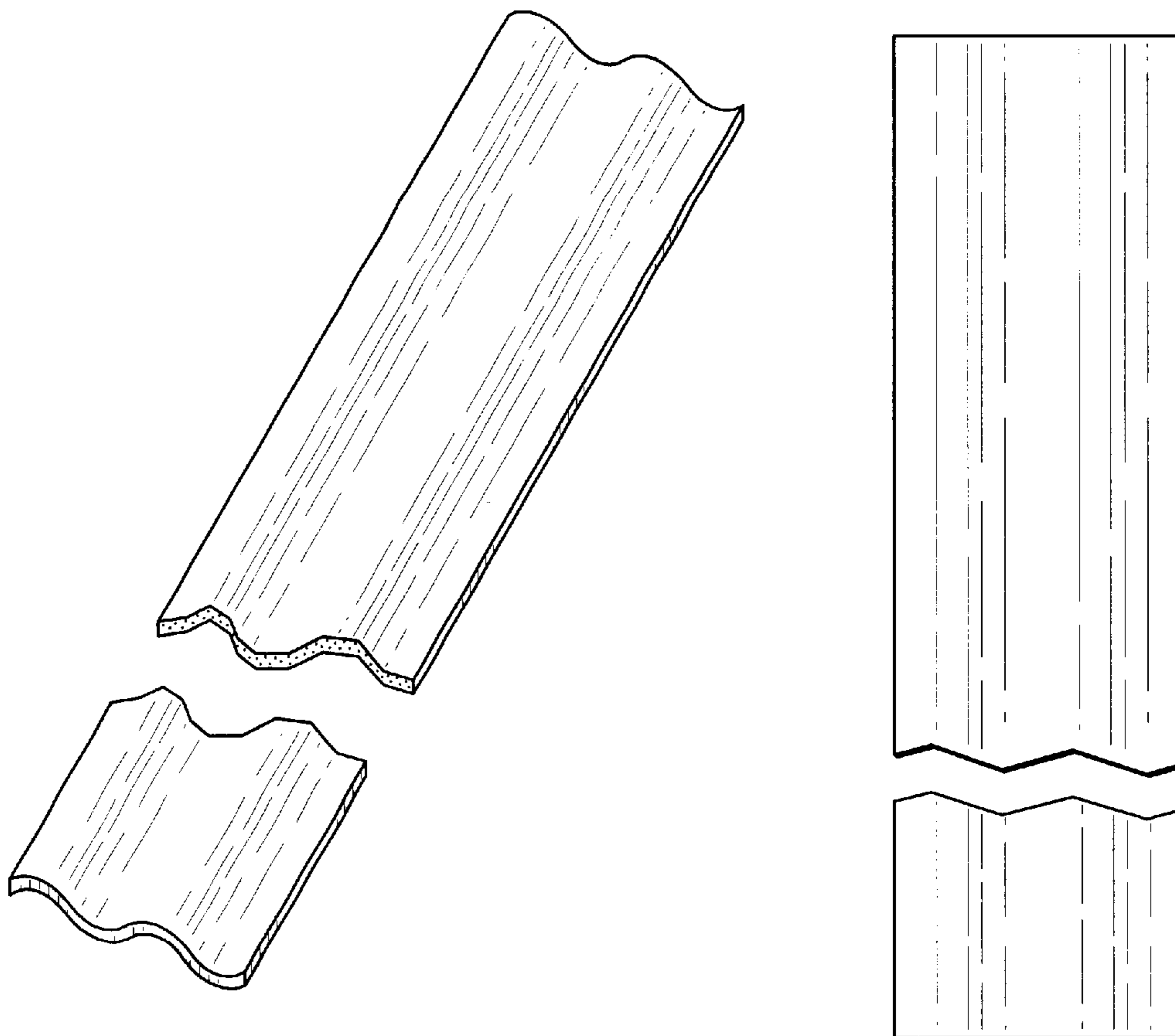
FIG. 4 is a rear elevational view thereof;

FIG. 5 is a right side elevational view thereof;

FIG. 6 is a left side elevational view thereof; and,

FIG. 7 is a bottom plan view thereof.

1 Claim, 1 Drawing Sheet



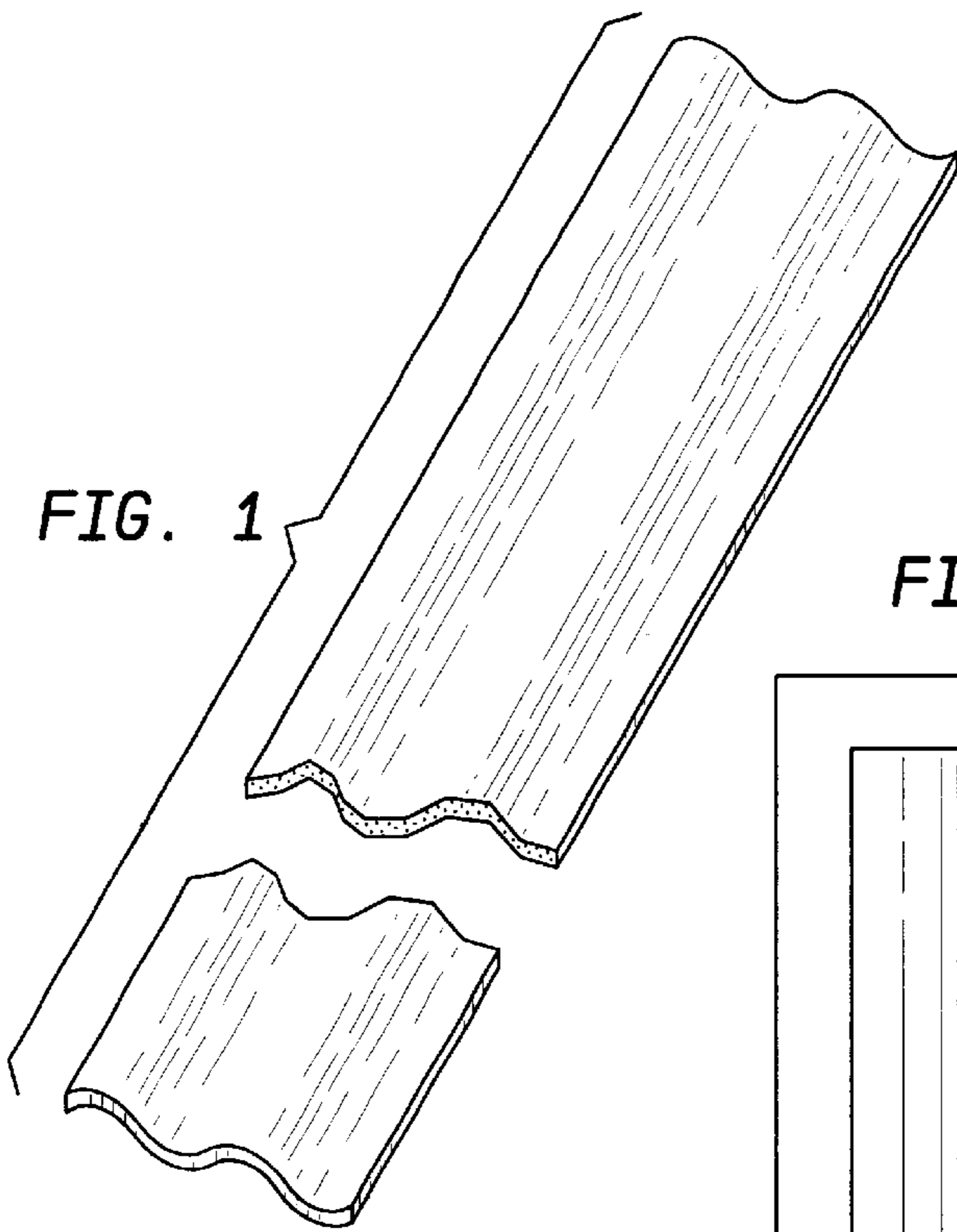


FIG. 2

FIG. 7

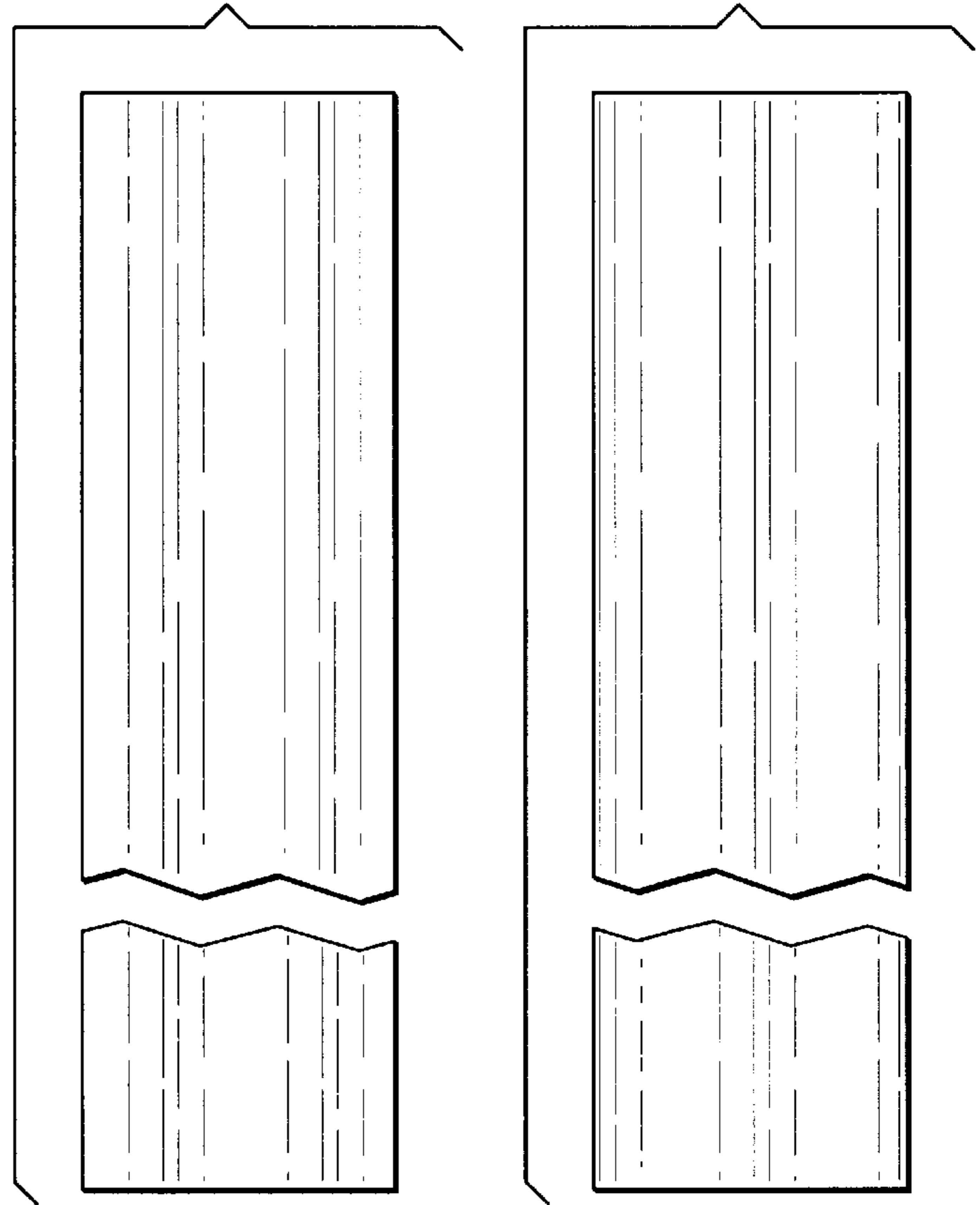


FIG. 3



FIG. 4



FIG. 5

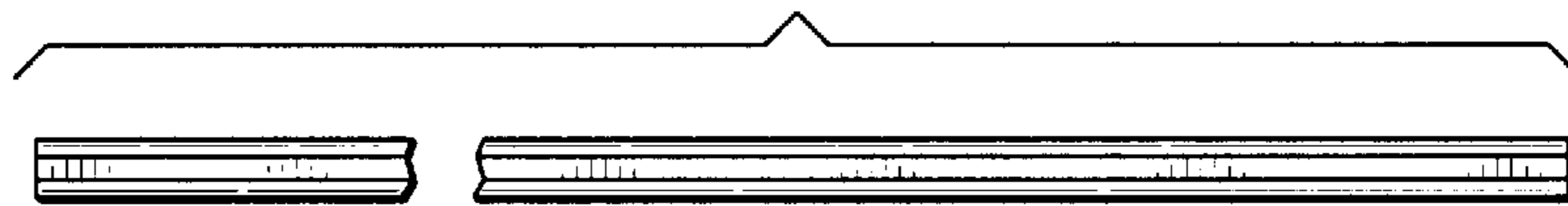


FIG. 6

