



US00D443126S

(12) **United States Design Patent**
Reviea et al.

(10) **Patent No.:** **US D443,126 S**

(45) **Date of Patent:** **** May 29, 2001**

(54) **COIN DISPENSER**

(76) Inventors: **Gerald W. Reviea; Linda Reviea**, both
of 7475 Valley Vista, Yucca Valley, CA
(US) 92284

(**) Term: **14 Years**

(21) Appl. No.: **29/127,239**

(22) Filed: **Jul. 31, 2000**

(51) **LOC (7) Cl.** **99-00**

(52) **U.S. Cl.** **D99/34**

(58) **Field of Search** D99/34, 36; D9/443;
453/60; 220/300, 484; 206/0.82, 306, 204,
484, 590, 611; D10/57; 312/31

(56) **References Cited**

U.S. PATENT DOCUMENTS

D. 99,693 * 5/1936 Babcock D99/36
3,135,566 * 6/1964 Frank 312/31
3,283,894 * 11/1966 Hafnol et al. 206/306

3,312,336 * 4/1967 Fally 206/0.82
3,346,109 * 10/1967 Duran 206/0.82
3,999,563 * 12/1976 Freas, Jr 453/60
5,603,401 * 2/1997 Brunner 206/204

* cited by examiner

Primary Examiner—Paula A. Mortimer

(57) **CLAIM**

We claim the ornamental design for a coin dispenser, as shown and described.

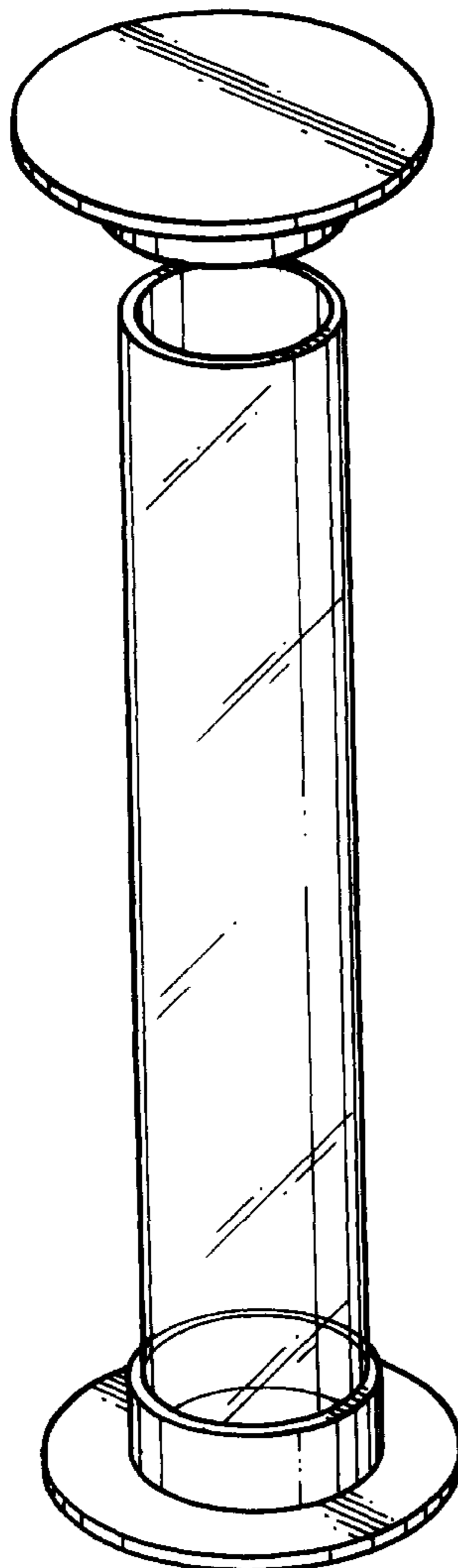
DESCRIPTION

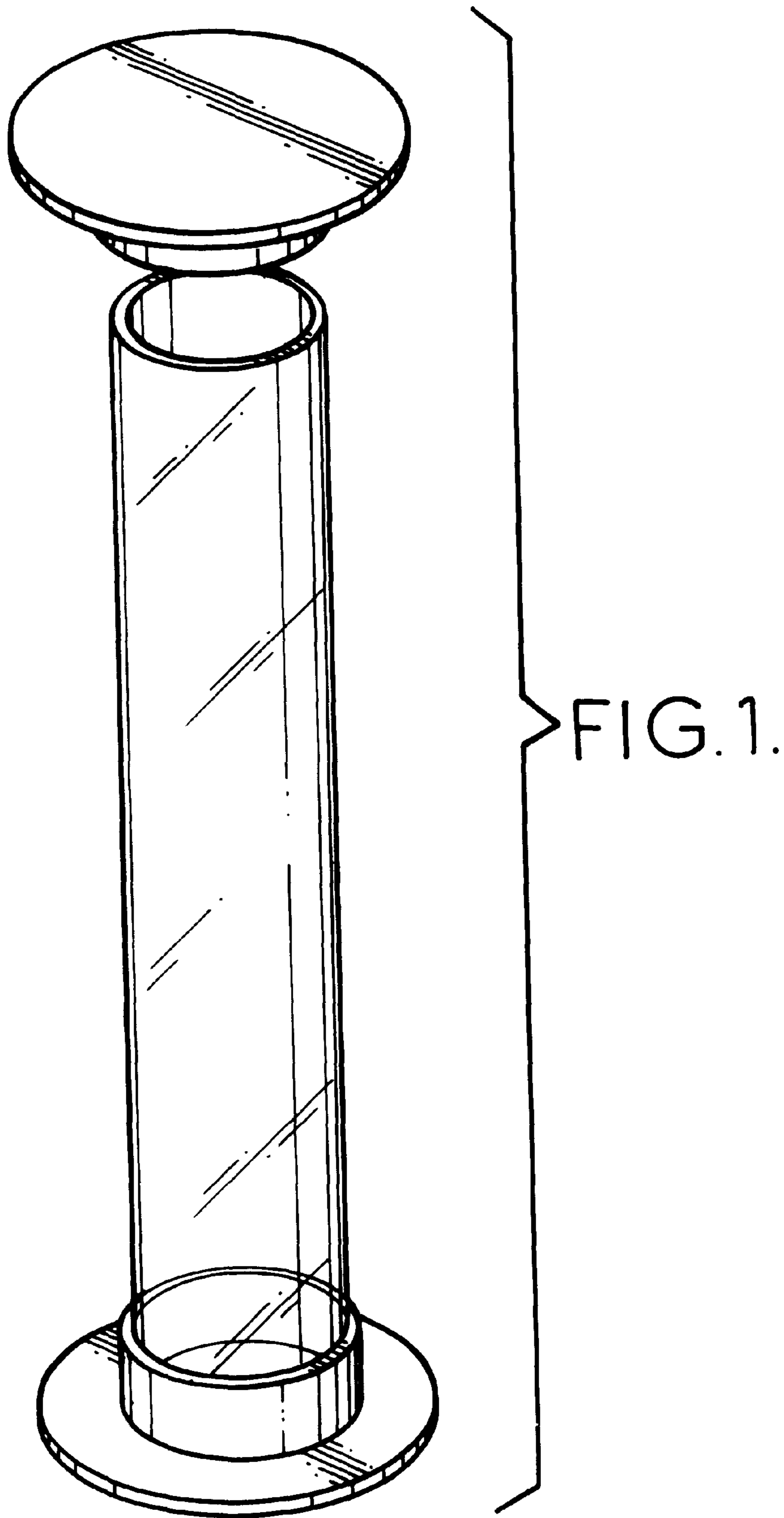
FIG. 1 is a perspective view of a coin dispenser, showing our new design;

FIG. 2 is a front elevational view thereof, the rear elevational view, the left side elevational view, and the right side elevational view being identical to this Figure; and,

FIG. 3 is a top plan view thereof, the bottom plan view being identical to this Figure.

1 Claim, 2 Drawing Sheets





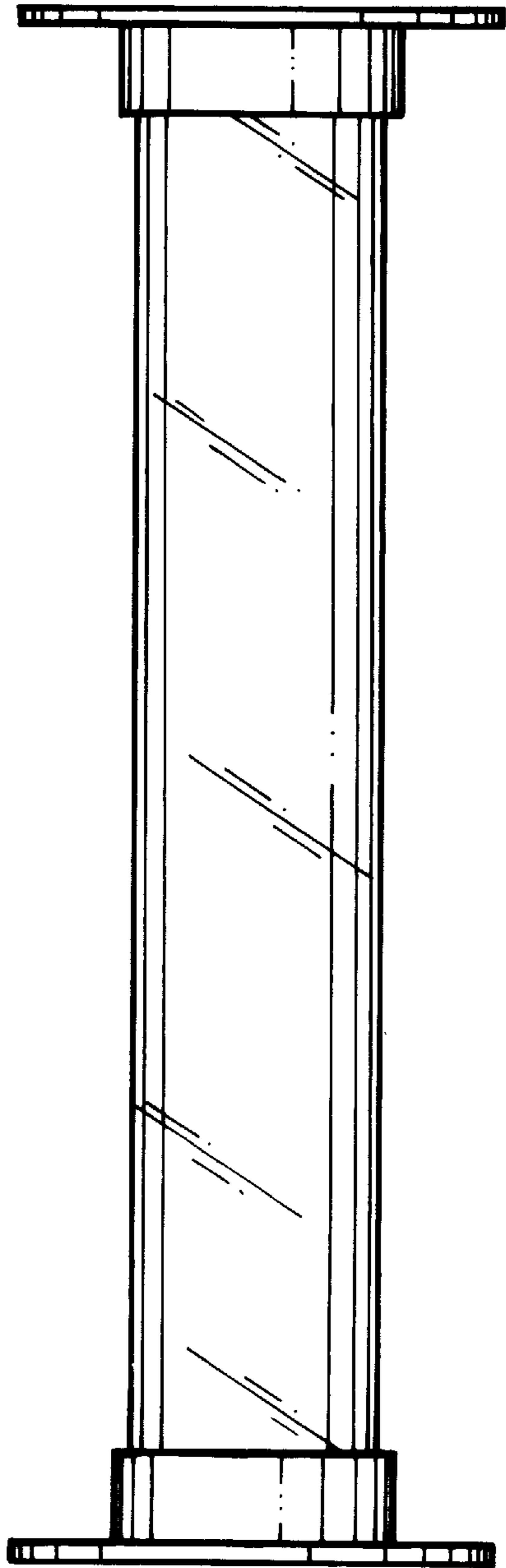


FIG. 2.

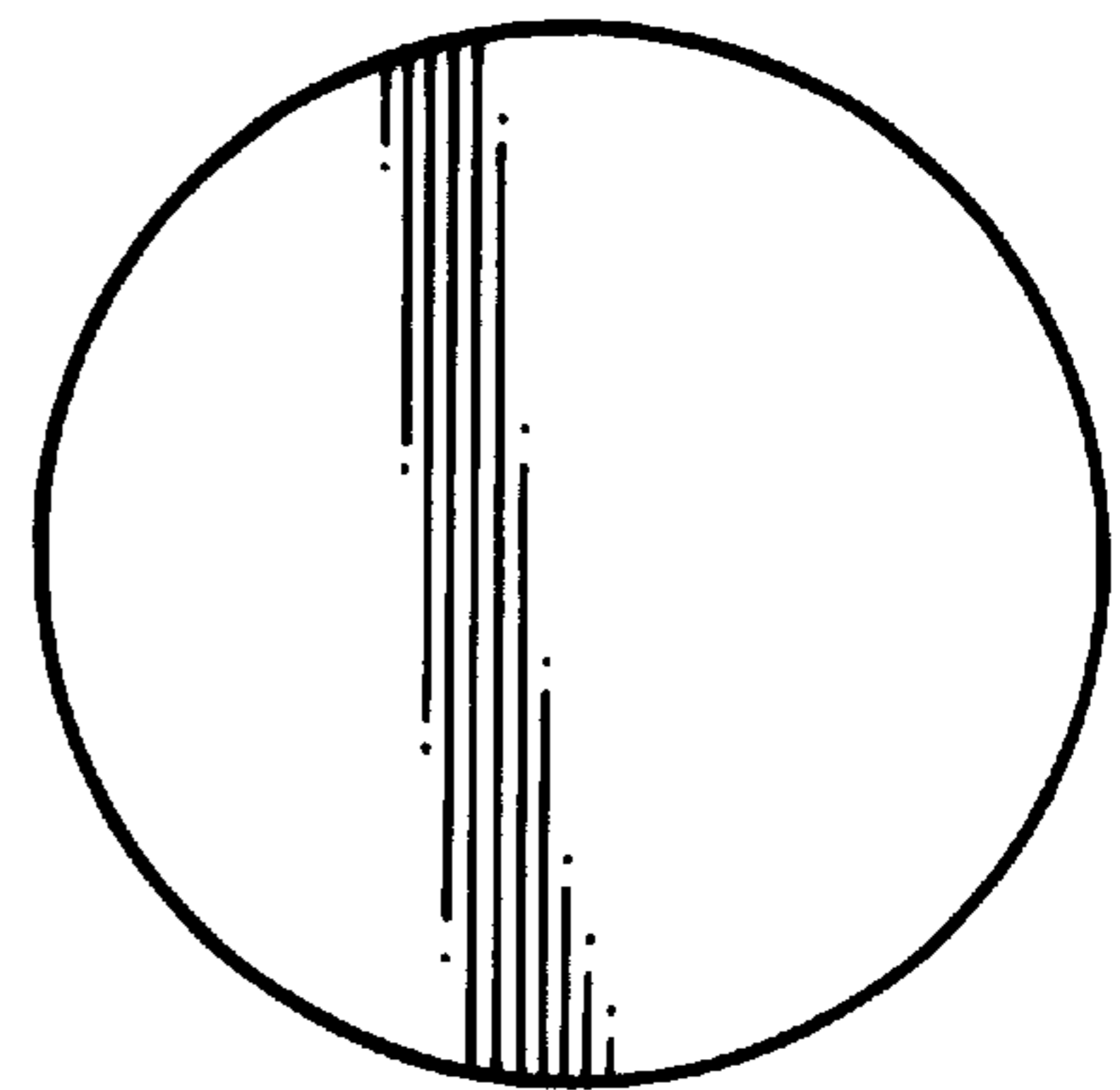


FIG. 3.