



US00D443125S

(12) **United States Design Patent**
Adams

(10) **Patent No.:** **US D443,125 S**

(45) **Date of Patent:** **** May 29, 2001**

(54) **MAIL SLOT IMMOBILIZER**

(75) **Inventor:** **Dwayne Roger Adams**, Orange, CA (US)

(73) **Assignee:** **Security Accessories Corp.**, Orange, CA (US)

(**) **Term:** **14 Years**

(21) **Appl. No.:** **29/115,849**

(22) **Filed:** **Dec. 21, 1999**

(51) **LOC (7) Cl.** **99-00**

(52) **U.S. Cl.** **D99/29**

(58) **Field of Search** D99/29; 232/19, 232/38, 46, 54; 194/34; D8/400, 402, 404, 330, 354, 338; 70/89, 90; 292/194, 240, 241, 242, 346; 16/85, 216, 217, 208

(56) **References Cited**

U.S. PATENT DOCUMENTS

D. 34,442	*	4/1901	Radcliffe	D8/402
D. 239,083	*	3/1976	Mills	D8/338
D. 267,217	*	12/1982	White et al.	D8/354 X
D. 277,934	*	3/1985	Beckrot	D8/395
D. 404,998	*	2/1999	Opielski et al.	D8/400
D. 426,148	*	6/2000	Markarin	D8/400
1,423,251		7/1922	Pennig	.	
1,482,459		2/1924	Cahan	.	
1,846,762		2/1932	Scantlebury	.	
2,972,164	*	2/1961	Nallinger	16/85
3,134,146		5/1964	Geoghegan	.	
4,098,454		7/1978	Easter	.	

* cited by examiner

Primary Examiner—Paula A. Mortimer

(74) *Attorney, Agent, or Firm*—Knobbe Martens Olson & Bear LLP

(57) **CLAIM**

The ornamental design for a mail slot immobilizer, as shown and described.

DESCRIPTION

FIG. 1 is a perspective view of a mail slot immobilizer having features in accordance with the present invention mounted on a mail slot of a door shown in phantom for illustrative purposes only;

FIG. 2 is a perspective view of the mail slot immobilizer of FIG. 1;

FIG. 3 is a horizontal cross-sectional view of the mail slot immobilizer taken along the line 3—3 in FIG. 1, with the mail slot and door shown in phantom for illustrative purposes only;

FIG. 4 is a front elevational view of the mail slot immobilizer of FIG. 1;

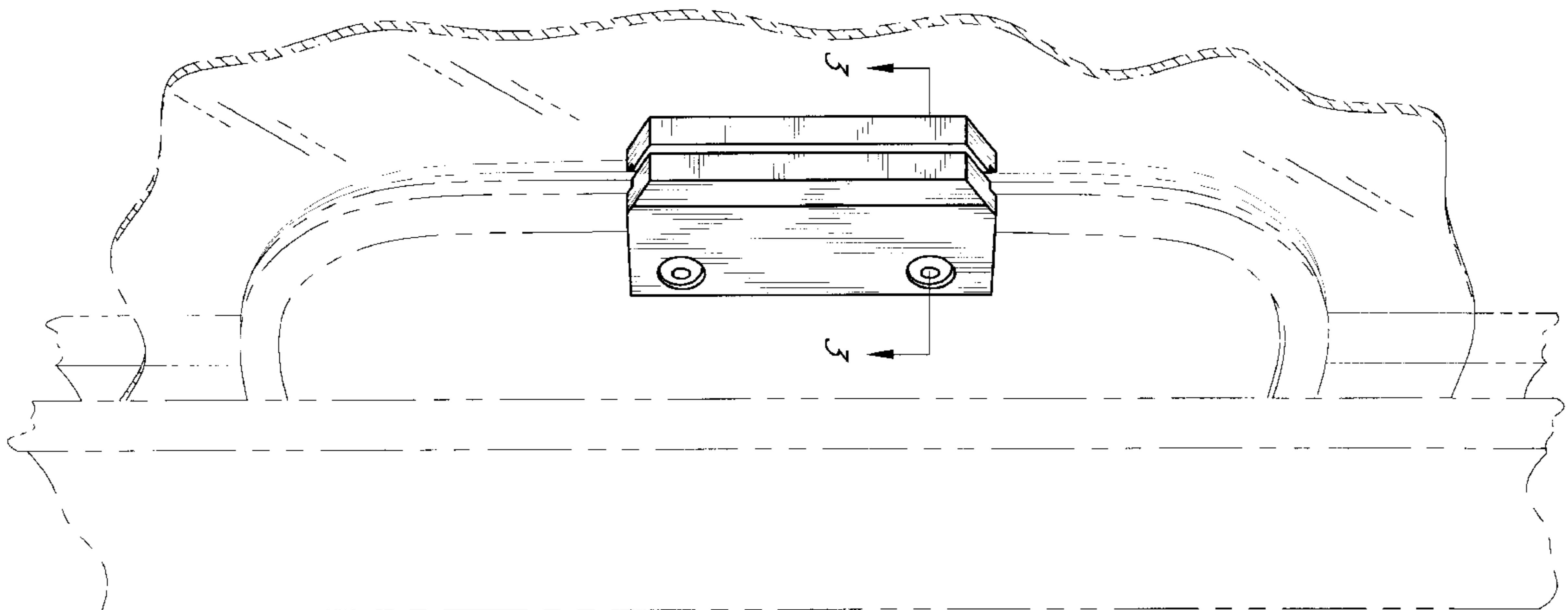
FIG. 5 is a rear elevational view of the mail slot immobilizer of FIG. 1;

FIG. 6 is a right side elevational view of the mail slot immobilizer of FIG. 1;

FIG. 7 is a left side elevational view of the mail slot immobilizer of FIG. 1; and,

FIG. 8 is a top plan view of the mail slot immobilizer of FIG. 1, the bottom plan view is identical thereto.

1 Claim, 3 Drawing Sheets



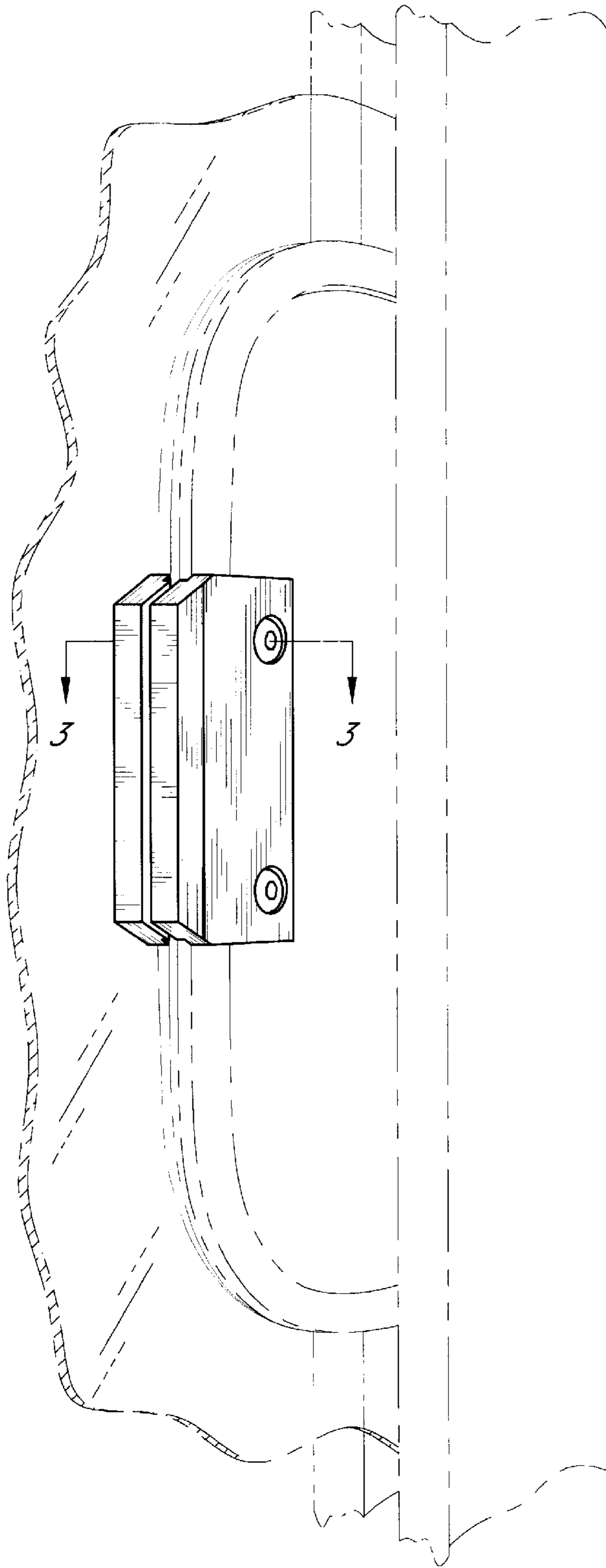


FIG. 1

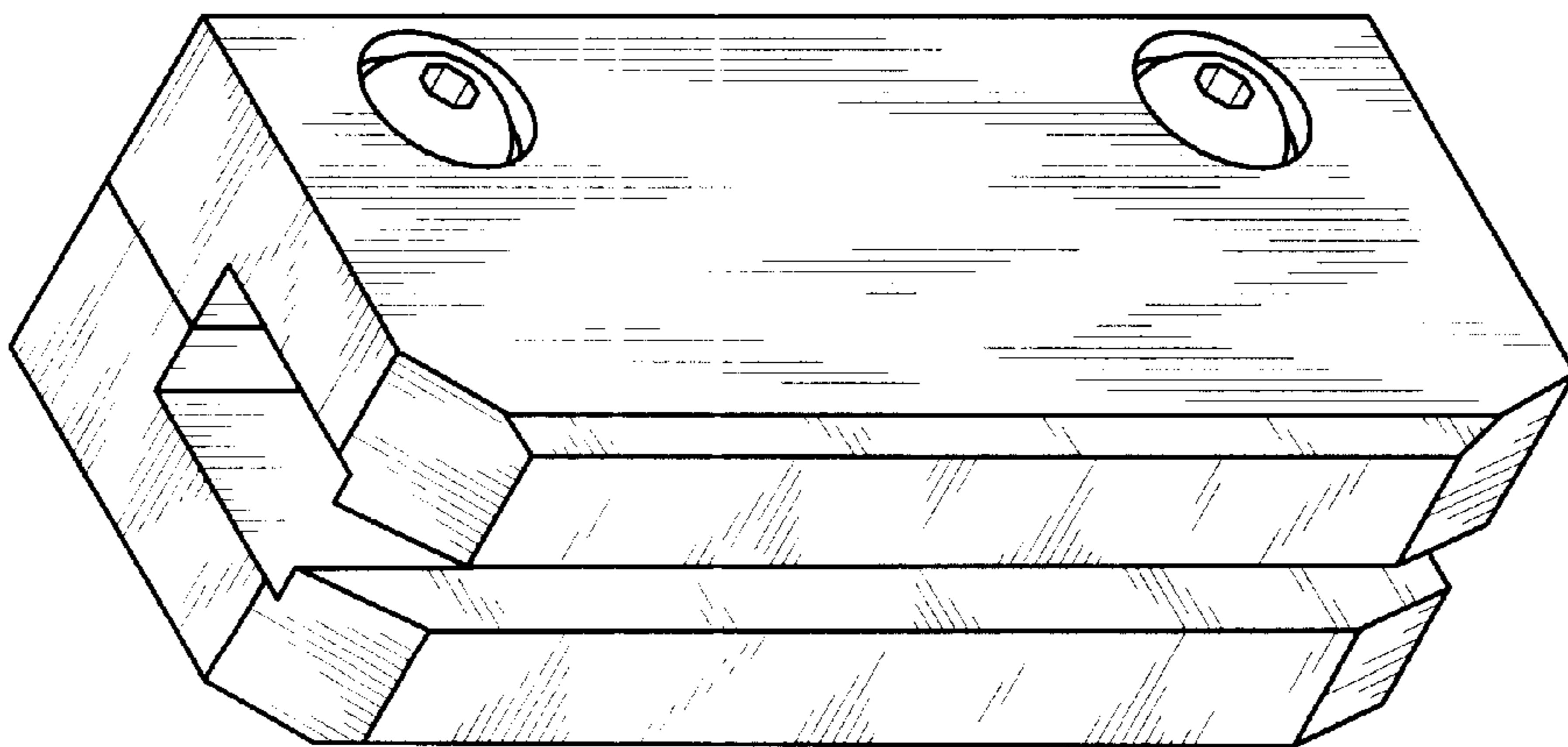


FIG. 2

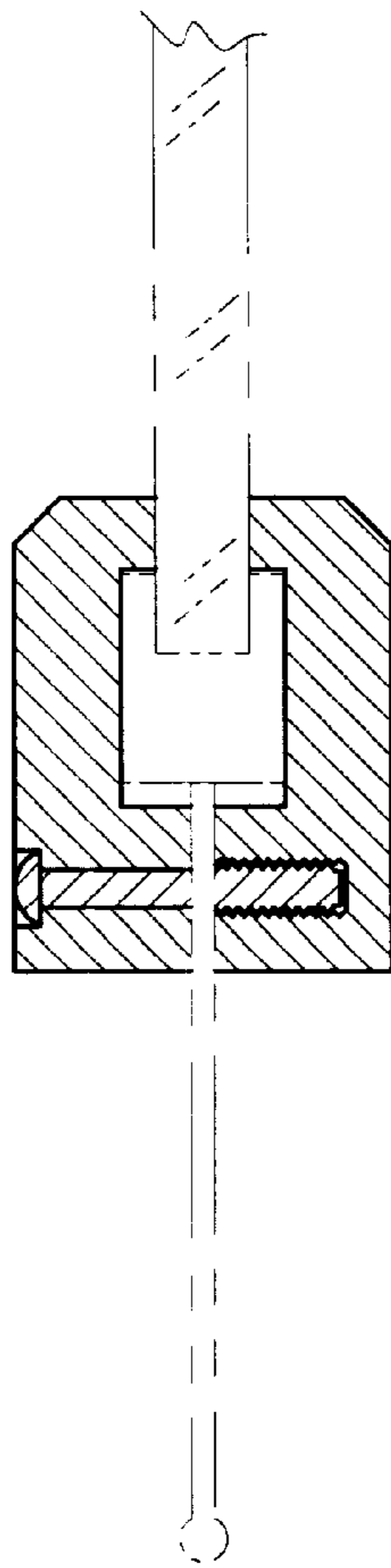


FIG. 3

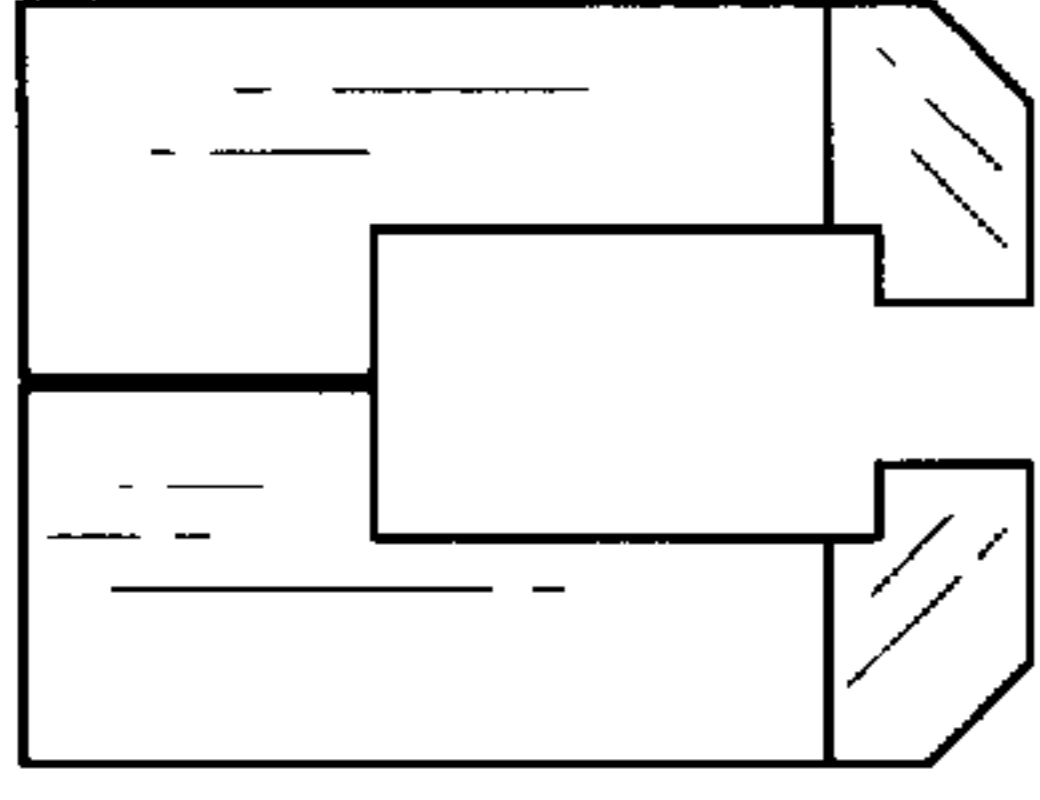


FIG. 8

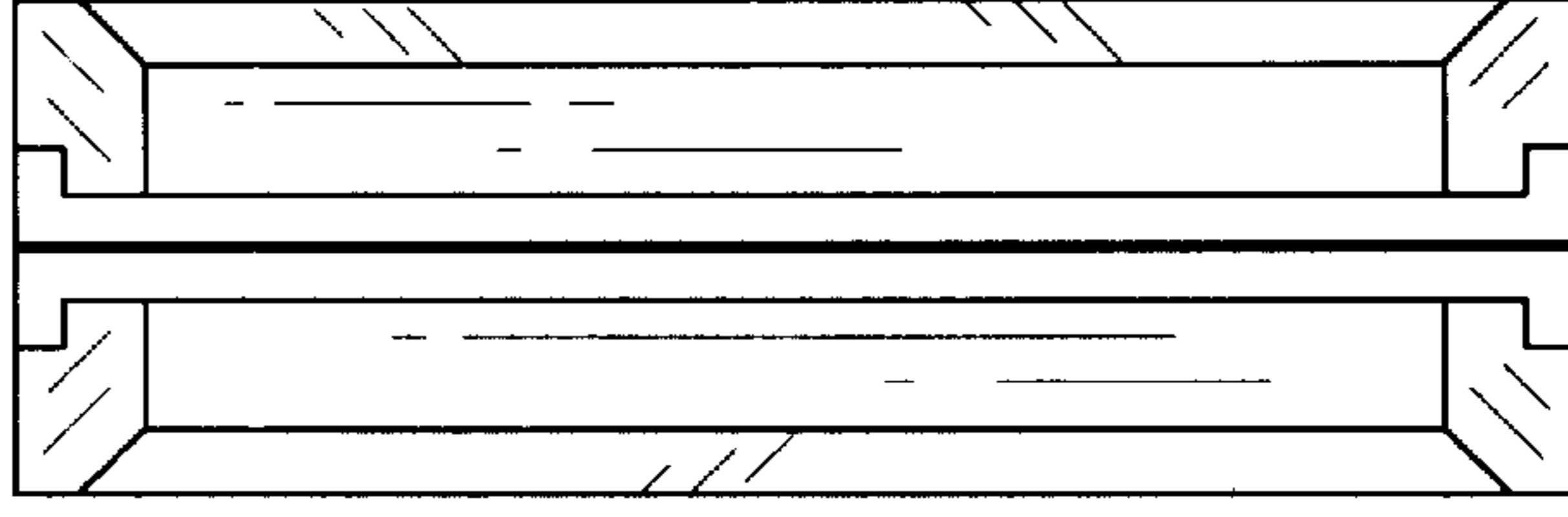


FIG. 7

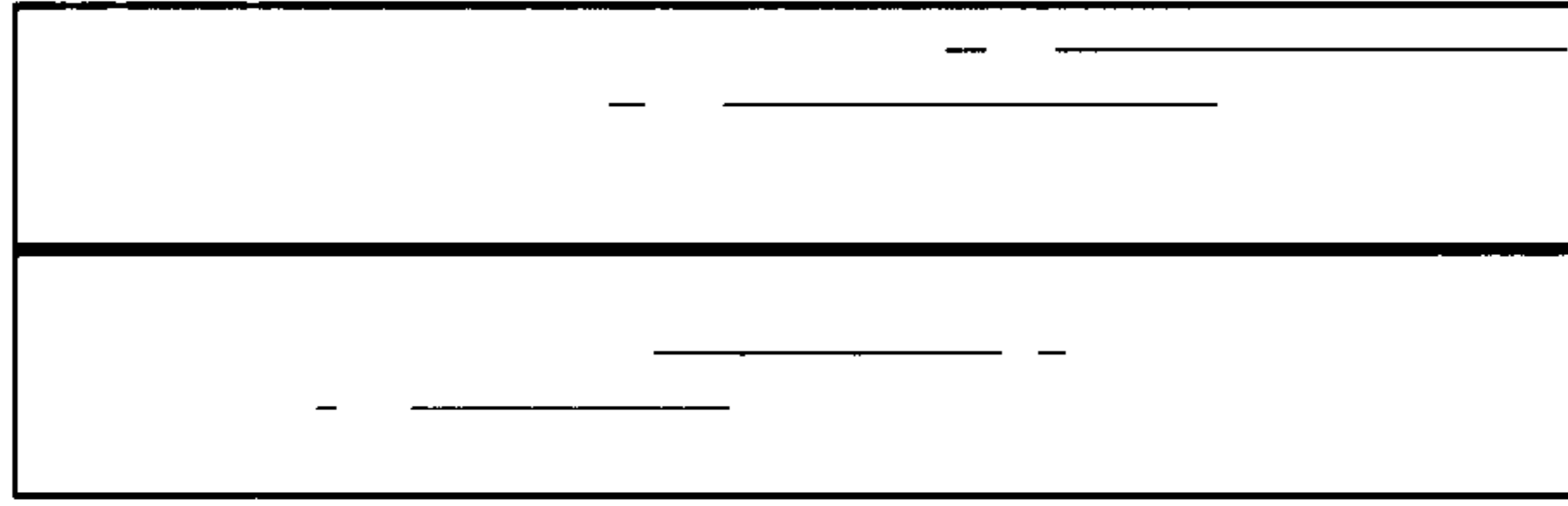


FIG. 6

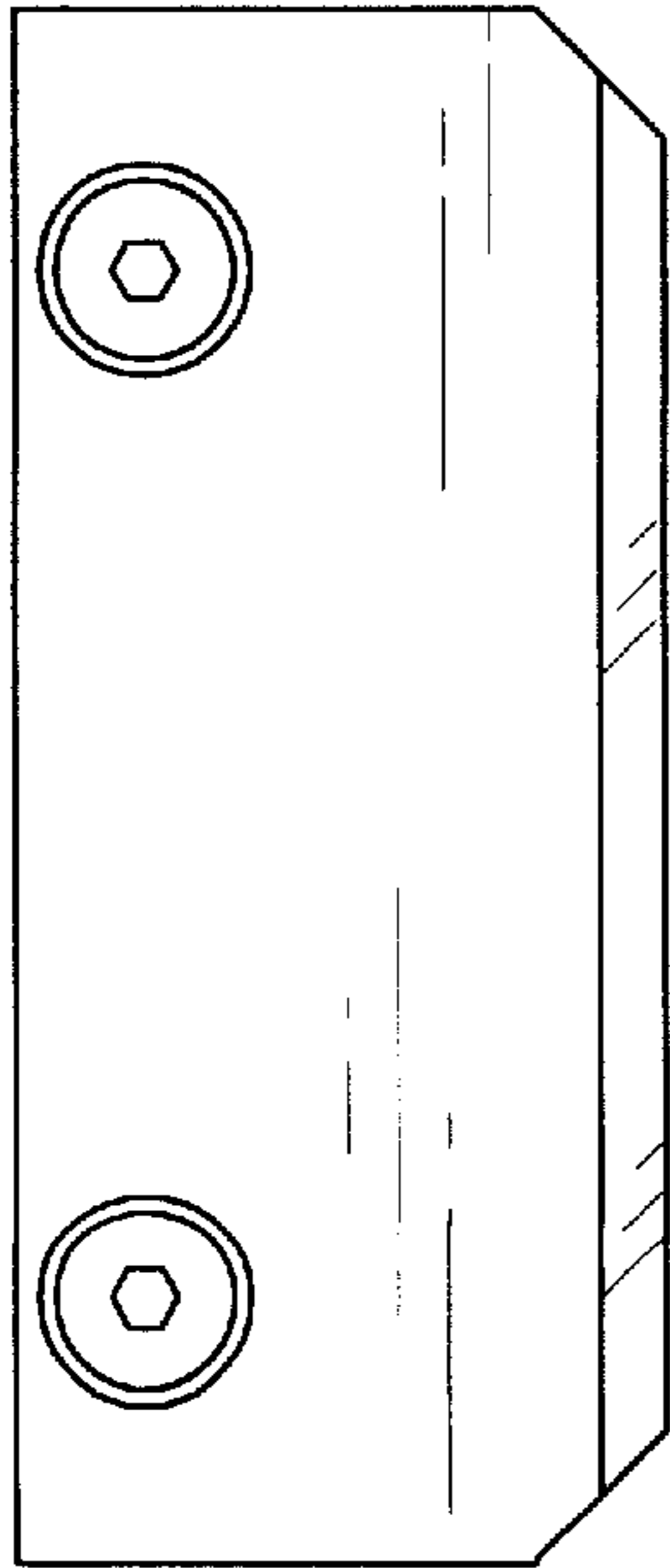


FIG. 4

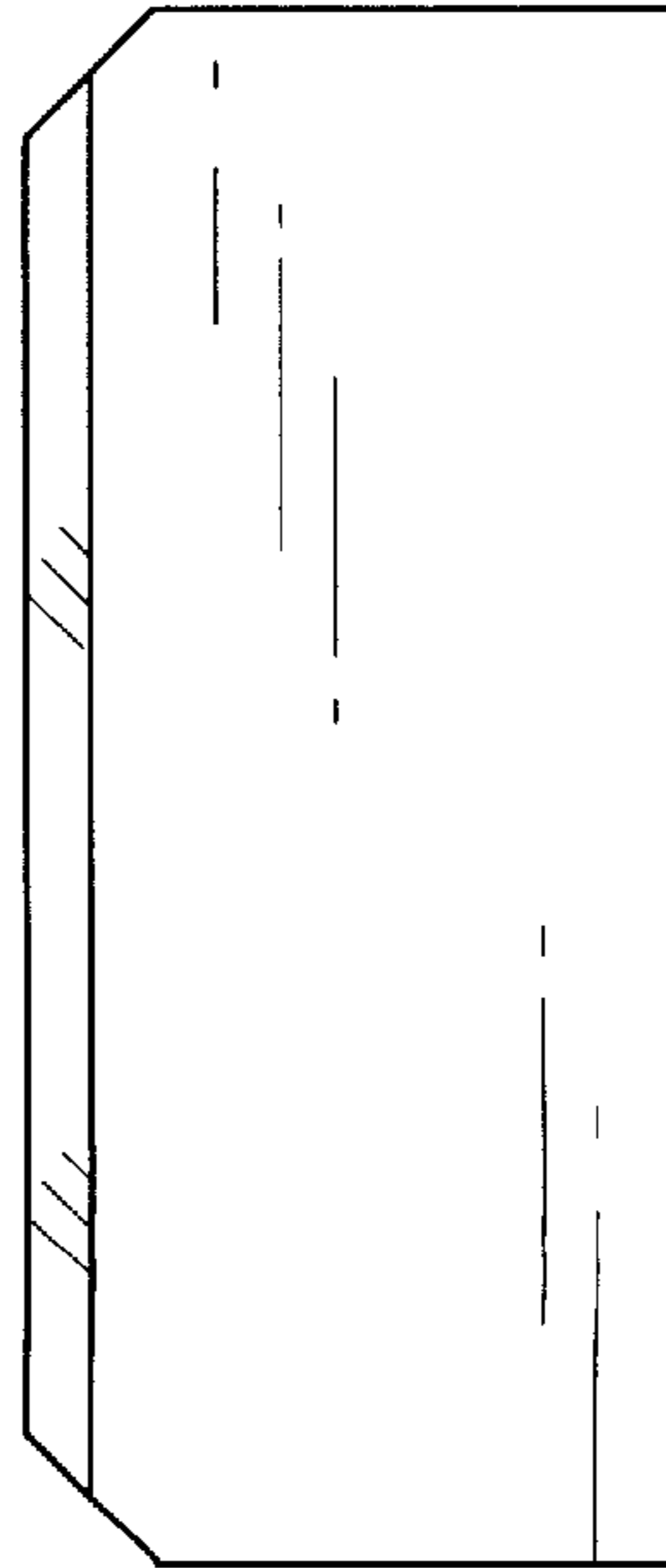


FIG. 5