



US00D443120S

(12) **United States Design Patent**  
**Choi**

(10) **Patent No.:** **US D443,120 S**

(45) **Date of Patent:** **\*\* May 29, 2001**

(54) **NOZZLE FOR VACUUM CLEANER**

(75) Inventor: **Kyu Kwan Choi**, Kyungki-do (KR)

(73) Assignee: **LG Electronics Inc.**, Seoul (KR)

(\*\*) Term: **14 Years**

(21) Appl. No.: **29/117,323**

(22) Filed: **Jan. 24, 2000**

(30) **Foreign Application Priority Data**

Jul. 22, 1999 (KR) ..... 99-17299

(51) **LOC (7) Cl.** ..... **15-05**

(52) **U.S. Cl.** ..... **D32/32**

(58) **Field of Search** ..... D32/22, 25, 31-33;  
15/347, 350, 352, 353, 337, 320-322, 379,  
400, 415.1-422.1

(56) **References Cited**

**U.S. PATENT DOCUMENTS**

- D. 197,459 \* 2/1964 Jepson et al. .... D32/22
- D. 280,033 \* 8/1985 Miyamoto et al. .... D32/22
- D. 295,092 \* 4/1988 Mizuno et al. .... D32/32
- D. 299,175 \* 12/1988 Nimon et al. .... D32/22

- D. 333,021 \* 2/1993 Breur ..... D32/32
- D. 333,022 \* 2/1993 Kramer et al. .... D32/32
- D. 333,539 \* 2/1993 Kramer et al. .... D32/32
- 3,942,216 \* 3/1976 Minton ..... 15/331
- 3,952,363 \* 4/1976 Lindman ..... 15/373
- 4,964,190 \* 10/1990 Murata et al. .... 15/369
- 5,564,161 \* 10/1996 Glatz ..... 15/415.1

\* cited by examiner

*Primary Examiner*—Ruth McInroy

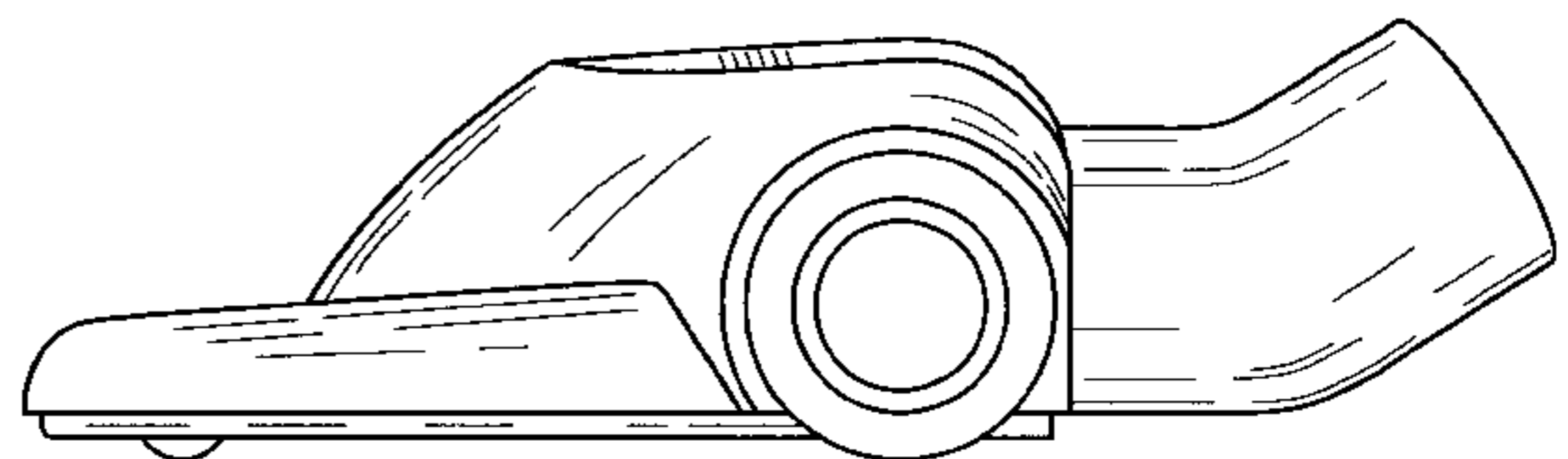
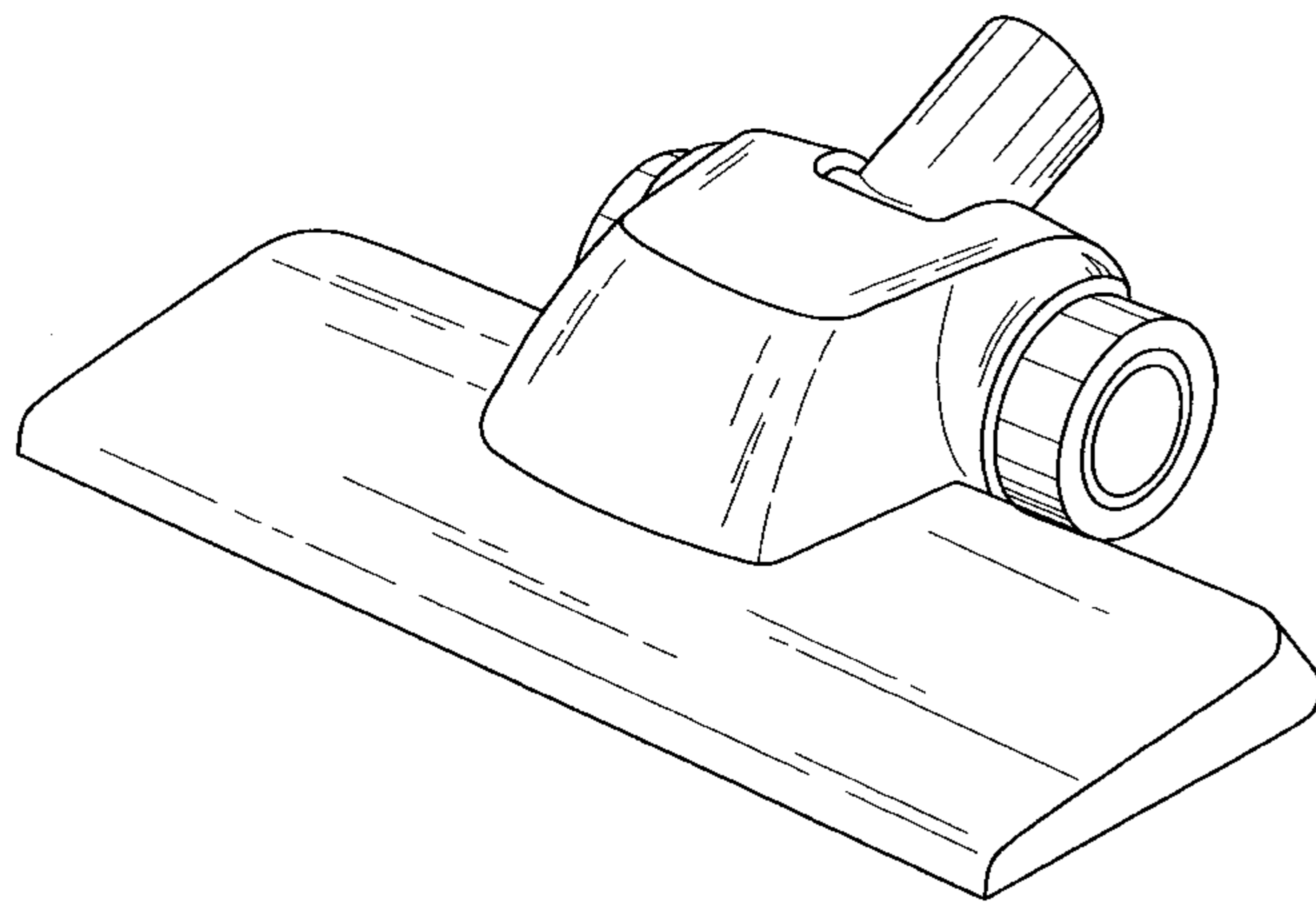
(57) **CLAIM**

I claim the ornamental design for nozzle for vacuum cleaner, as shown and described.

**DESCRIPTION**

FIG. 1 is a perspective view of a nozzle for vacuum cleaner showing my new design;  
 FIG. 2 is a front view thereof;  
 FIG. 3 is a rear view thereof;  
 FIG. 4 is a left-side view thereof;  
 FIG. 5 is a right-side view thereof;  
 FIG. 6 is a top plan view thereof; and,  
 FIG. 7 is a bottom plan view thereof.

**1 Claim, 4 Drawing Sheets**



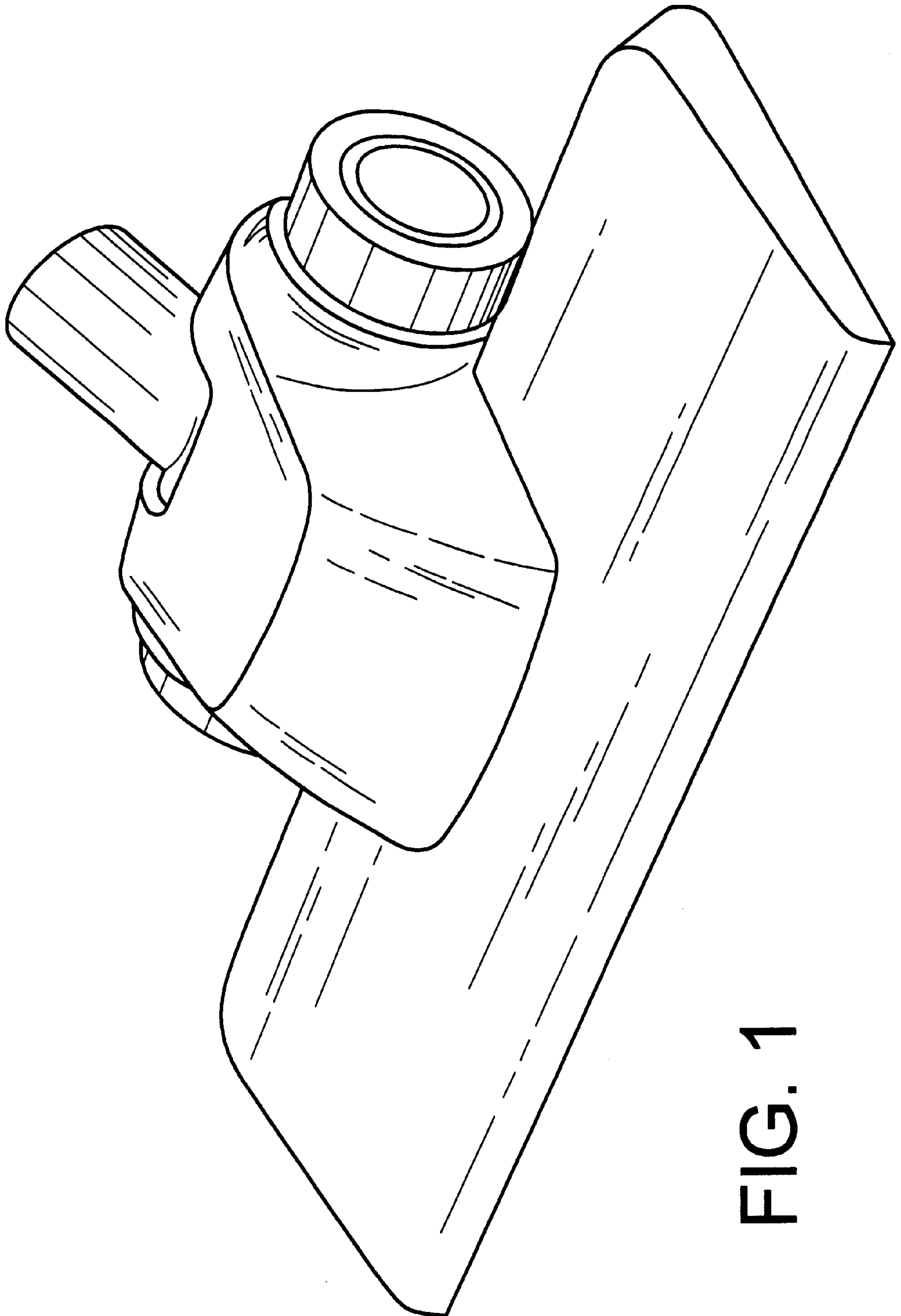


FIG. 1

FIG. 2

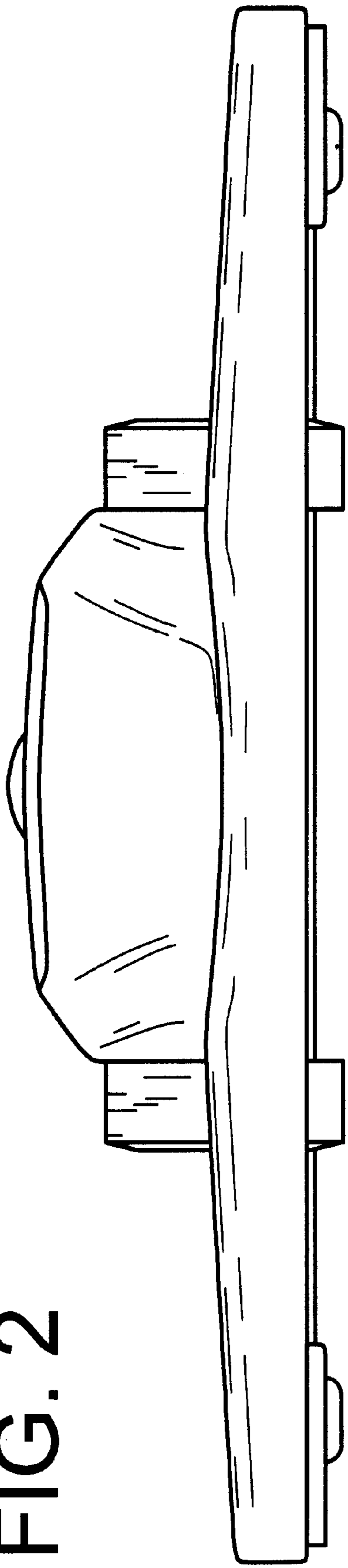
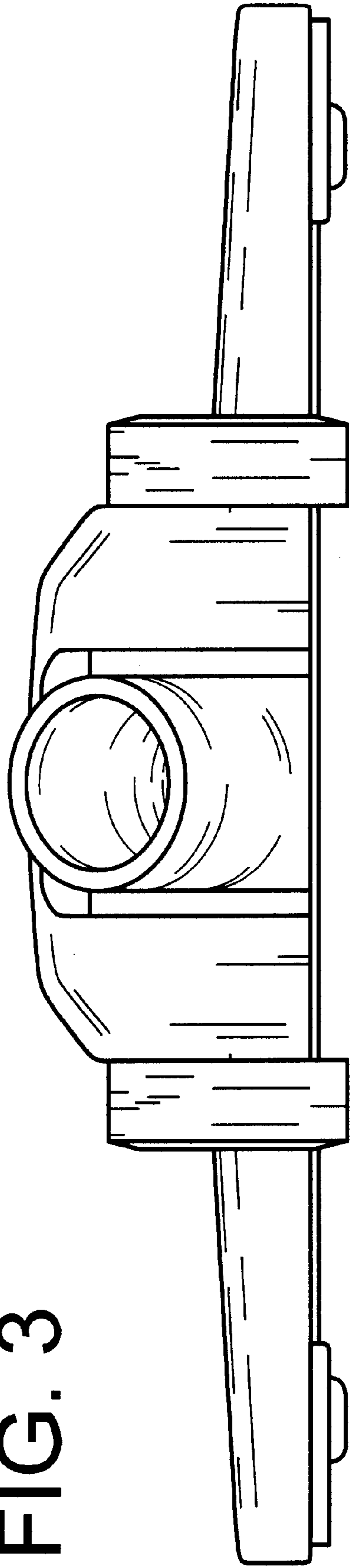


FIG. 3



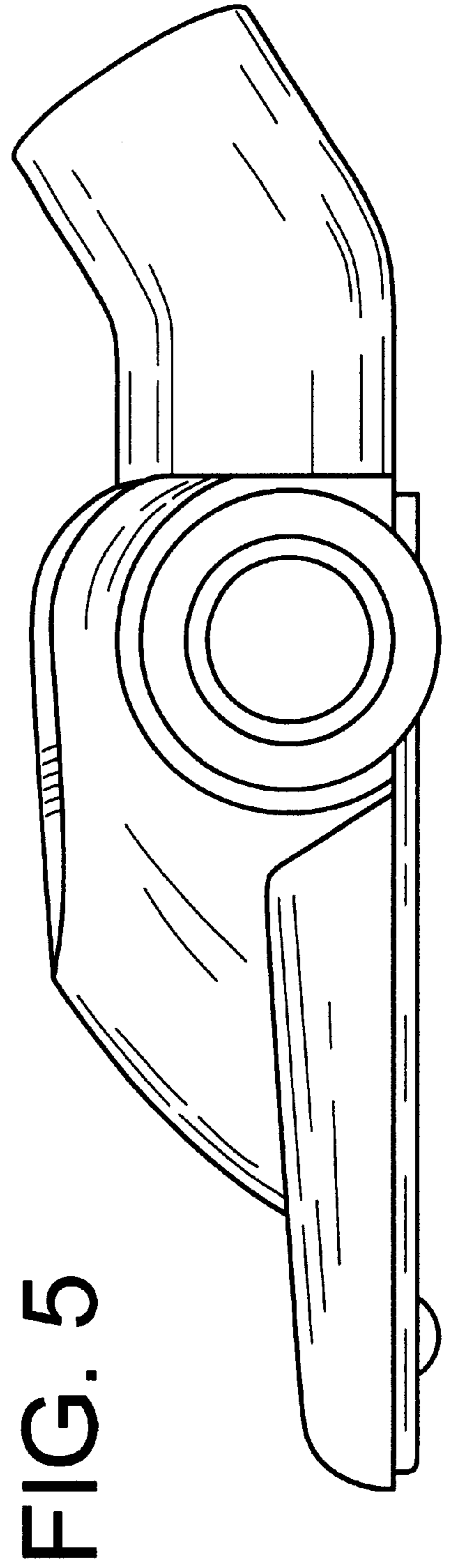
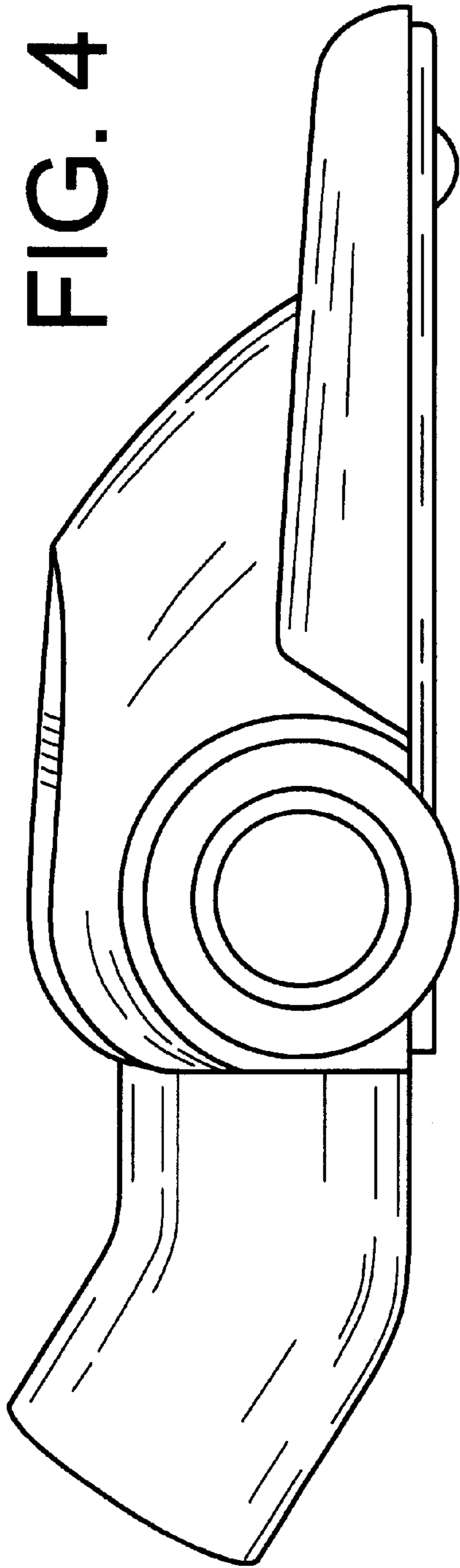


FIG. 6

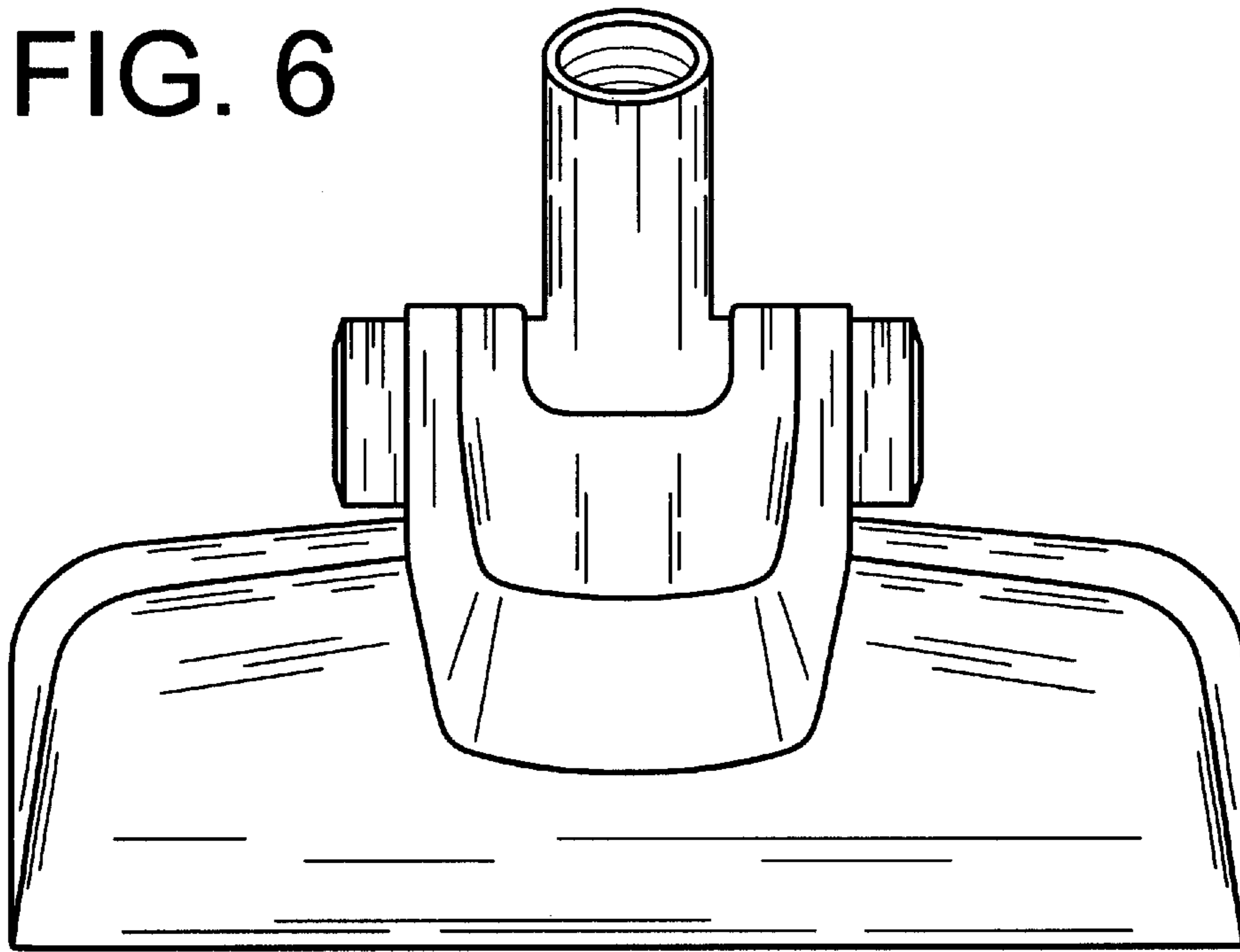


FIG. 7

