



US00D443111S

(12) **United States Design Patent**  
**Nakasuka**

(10) **Patent No.:** **US D443,111 S**

(45) **Date of Patent:** **\*\* May 29, 2001**

(54) **PROTECTIVE CAP FOR A SAFETY RAZOR**

(75) Inventor: **Hiroyuki Nakasuka**, Hashima-gun (JP)

(73) Assignee: **Kai R & D Center Co., Ltd.**, Gifu (JP)

(\*\*) Term: **14 Years**

(21) Appl. No.: **29/105,798**

(22) Filed: **Jun. 2, 1999**

(51) **LOC (7) Cl.** ..... **28-03**

(52) **U.S. Cl.** ..... **D28/47**

(58) **Field of Search** ..... D28/44-48; 30/32,  
30/34.05, 47-51, 77, 84, 539, 540

(56) **References Cited**

**U.S. PATENT DOCUMENTS**

D. 306,216	*	2/1990	Gray	.....	D28/45
D. 345,233	*	3/1994	Gray	.....	D28/47
D. 407,531	*	3/1999	Lee	.....	D28/47
3,172,202	*	3/1965	Sooter	.....	30/539
3,609,862	*	10/1971	Ernstberger	.....	30/539
4,996,772	*	3/1991	Iten	.....	30/41
5,893,213	*	4/1999	Motta	.....	30/540

\* cited by examiner

*Primary Examiner*—Ted Shooman

*Assistant Examiner*—C Tuttle

(74) *Attorney, Agent, or Firm*—Koda & Androlia

(57) **CLAIM**

The ornamental design for a protective cap for a safety razor, as shown and described.

**DESCRIPTION**

FIG. 1 is a front elevational view of the protective cap for a safety razor showing my new design;

FIG. 2 is a rear elevational view thereof;

FIG. 3 is a top plan view thereof;

FIG. 4 is a bottom plan view thereof;

FIG. 5 is a right side elevational view thereof, the left side elevational view being a mirror image of the right side elevational view;

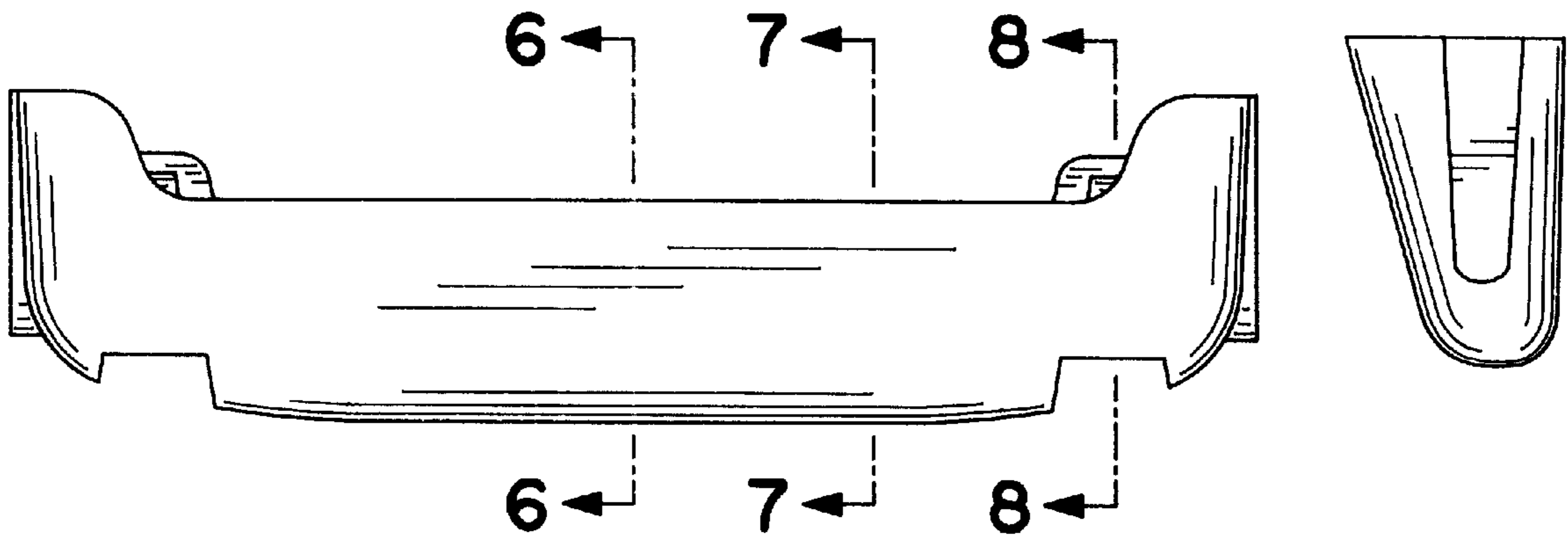
FIG. 6 is cross sectional view taken along the line 6—6 in FIG. 1;

FIG. 7 is cross sectional view taken along the line 7—7 in FIG. 1;

FIG. 8 is cross sectional view taken along the line 8—8 in FIG. 1; and,

FIG. 9 is cross sectional view taken along the line 9—9 in FIG. 4.

**1 Claim, 3 Drawing Sheets**



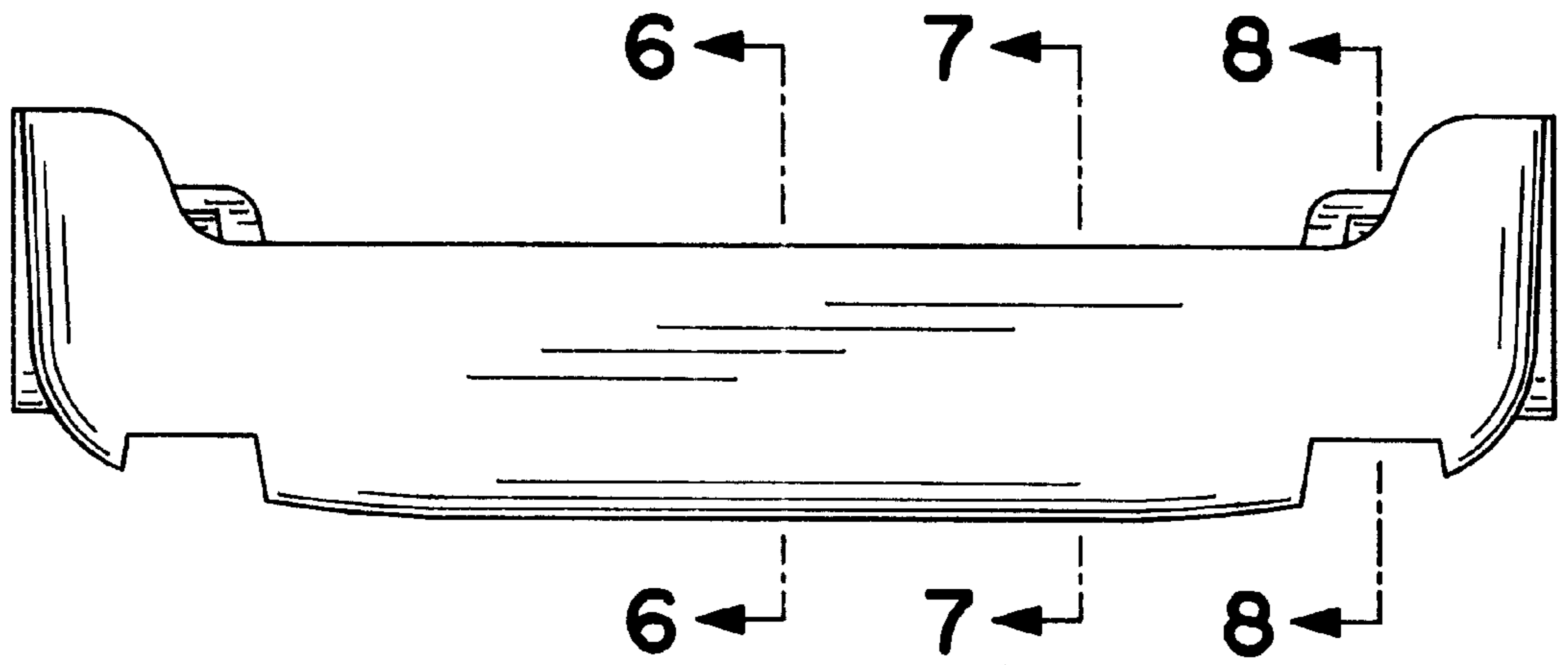


FIG. 1

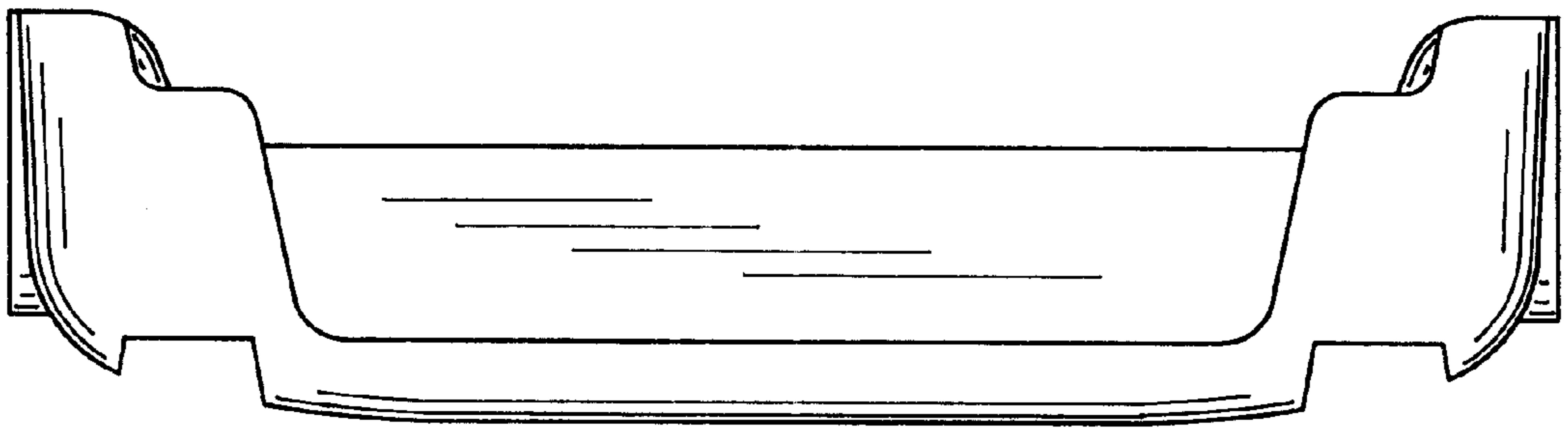


FIG. 2

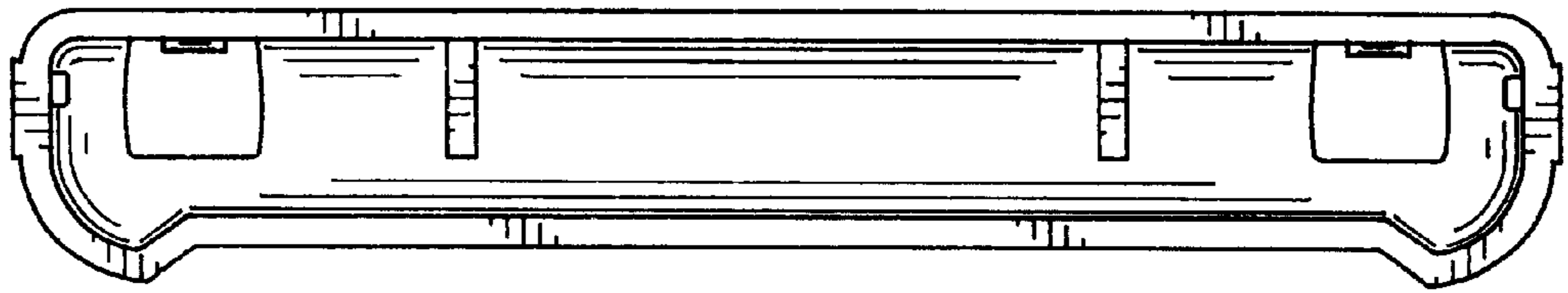


FIG. 3

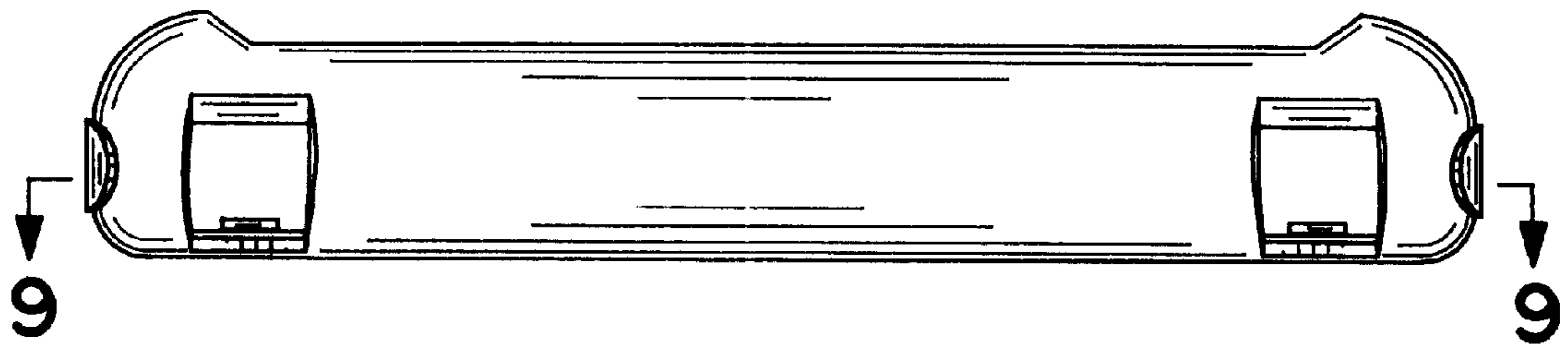


FIG. 4

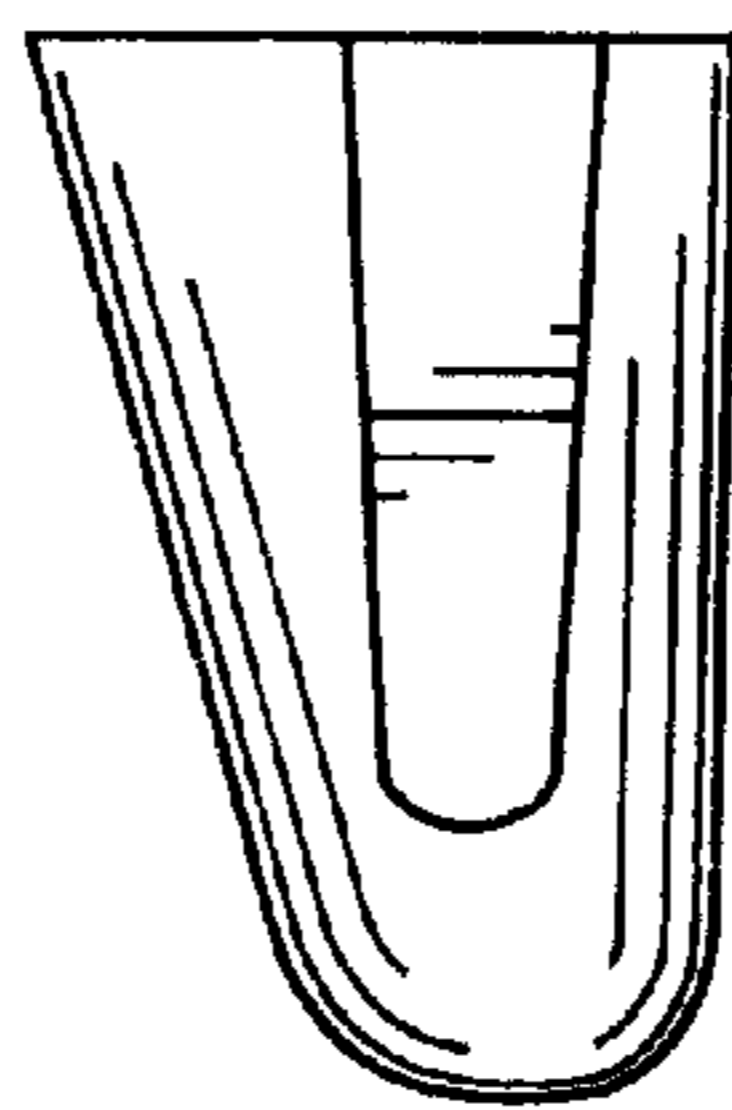


FIG. 5

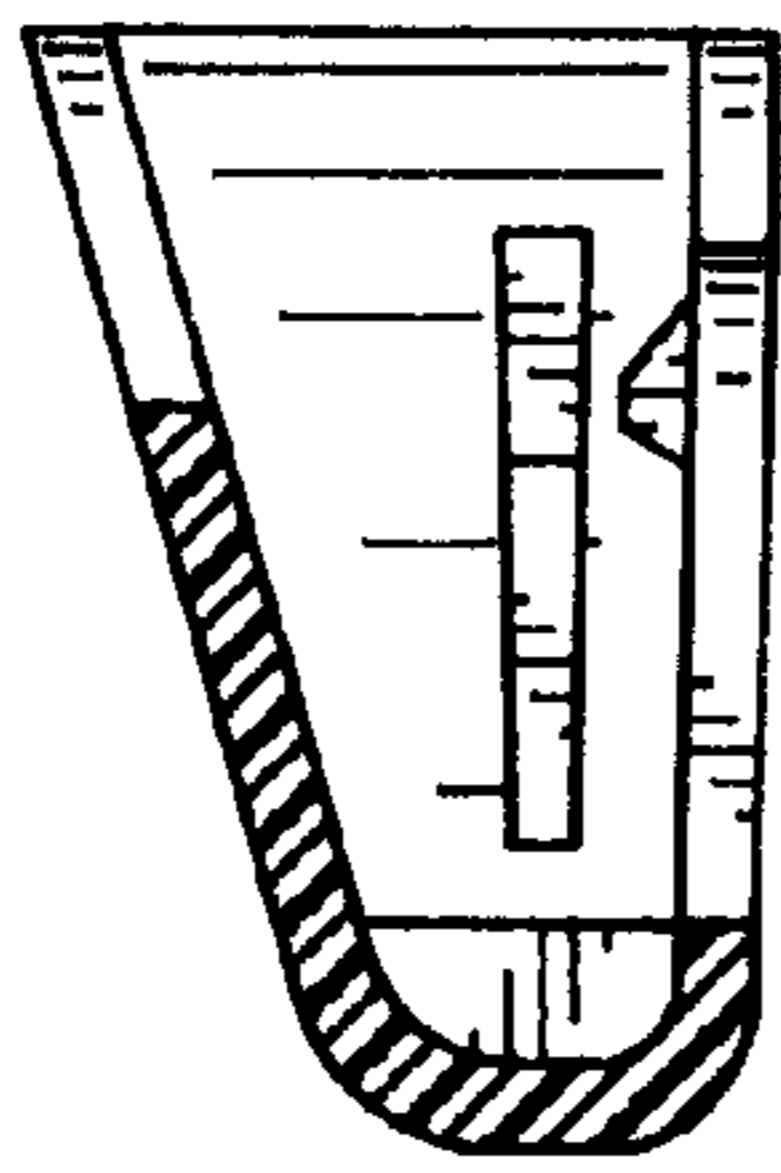


FIG. 6

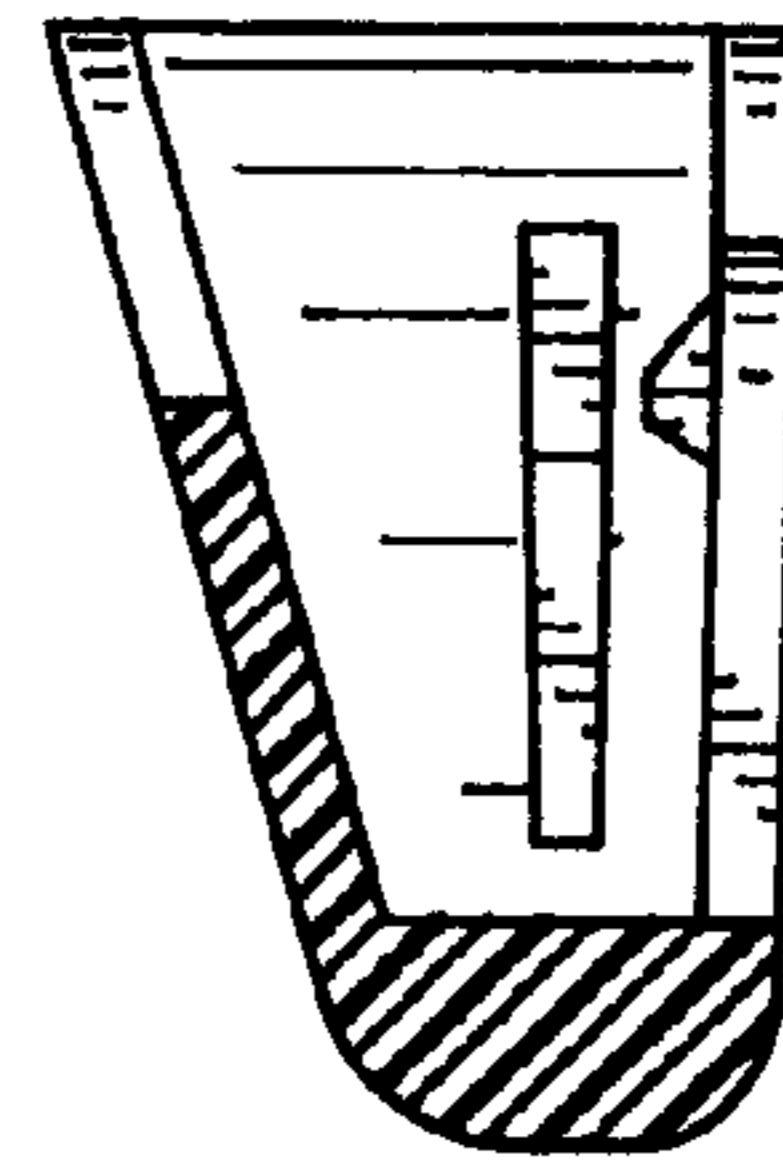


FIG. 7

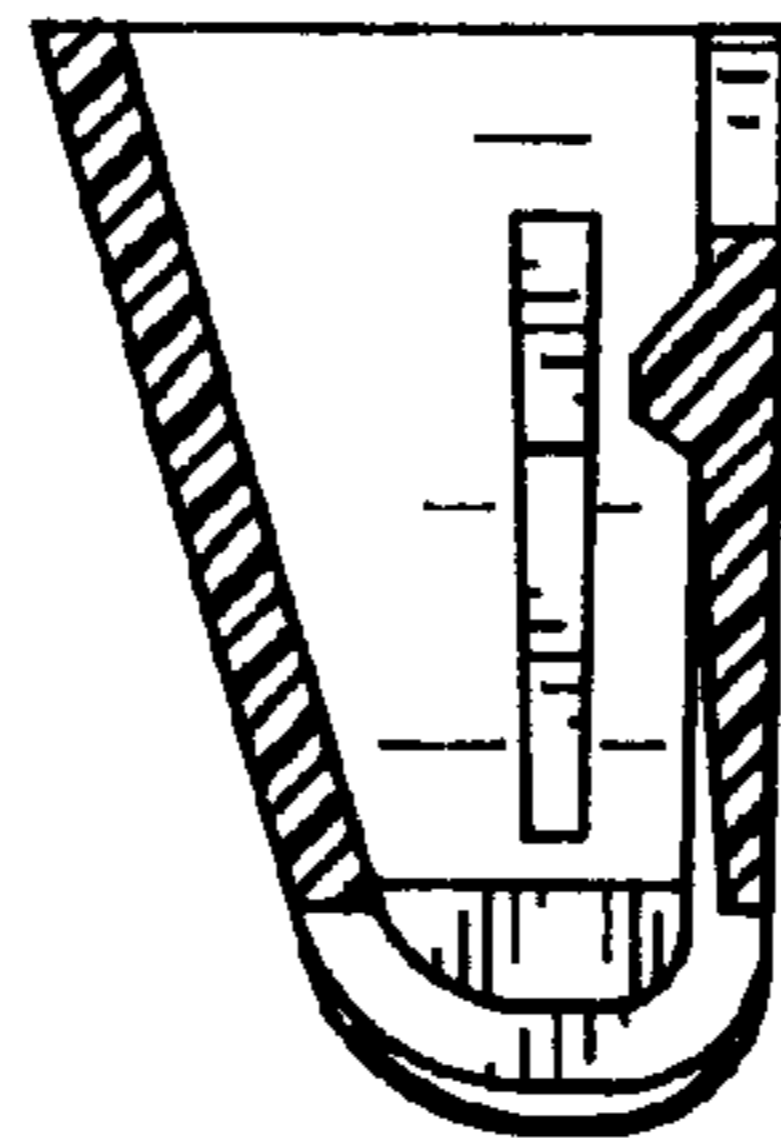


FIG. 8

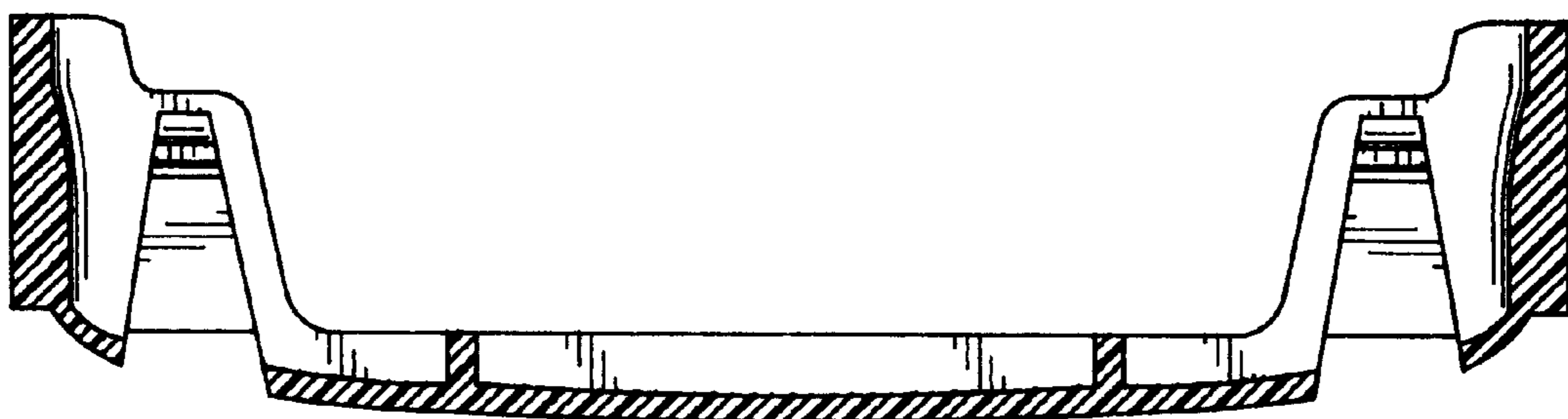


FIG. 9