



US00D443110S

(12) **United States Design Patent** (10) **Patent No.:** **US D443,110 S**
Watanabe et al. (45) **Date of Patent:** **** May 29, 2001**

(54) **EYELASH CURLER**

5,685,324 * 11/1997 Huang 132/217
 5,944,028 * 8/1999 Gebhard 132/216

(75) Inventors: **Aya Watanabe**, Yokohama; **Toshiaki Nakajo**, Narashino, both of (JP)

* cited by examiner

(73) Assignee: **Matsushita Electric Works, Ltd.**, Osaka (JP)

Primary Examiner—Philip S. Hyder

Assistant Examiner—C Tuttle

(**) Term: **14 Years**

(74) *Attorney, Agent, or Firm*—Oblon, Spivak, McClelland, Maier & Neustadt, P.C.

(21) Appl. No.: **29/121,725**

(57) **CLAIM**

(22) Filed: **Apr. 13, 2000**

The ornamental design for an eyelash curler, as shown and described.

(30) **Foreign Application Priority Data**

DESCRIPTION

Oct. 14, 1999 (JP) 11-28267

FIG. 1 is a top, front and right side perspective view of an eyelash curler showing our design; and
 FIG. 2 is a front elevational view thereof;
 FIG. 3 is a rear elevational view thereof;
 FIG. 4 is a left side elevational view thereof;
 FIG. 5 is a right side elevational view thereof;
 FIG. 6 is a top plan view thereof; and,
 FIG. 7 is a bottom plan view thereof.

(51) **LOC (7) Cl.** **28-03**

(52) **U.S. Cl.** **D28/36**

(58) **Field of Search** D28/36; 132/217, 132/216, 218, 224; 219/225

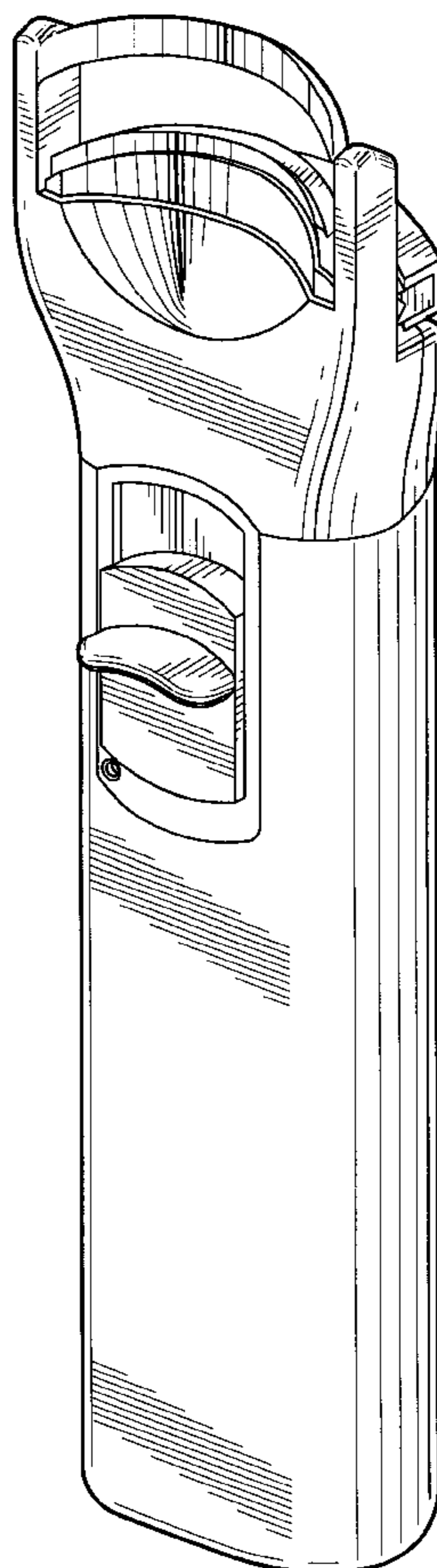
The phantom line showing in the drawings is for illustrative purposes only and forms no part of the claimed design.

(56) **References Cited**

U.S. PATENT DOCUMENTS

- D. 405,669 * 2/1999 Suh D28/36
 D. 429,375 * 8/2000 Choi D28/36
 1,925,266 * 9/1933 Manning 132/217

1 Claim, 5 Drawing Sheets



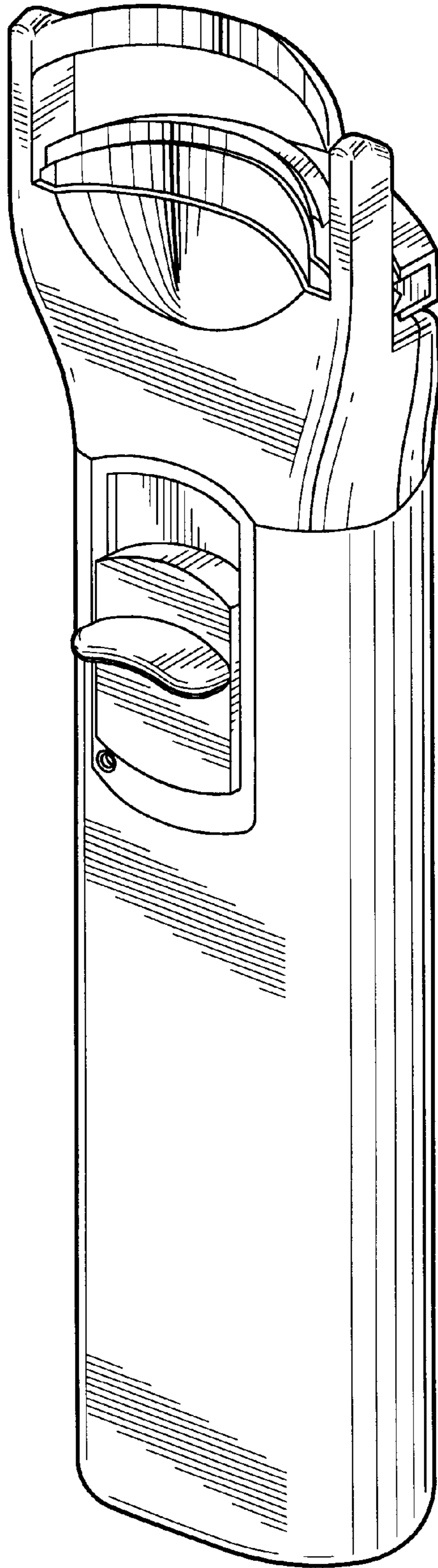


FIG. 1

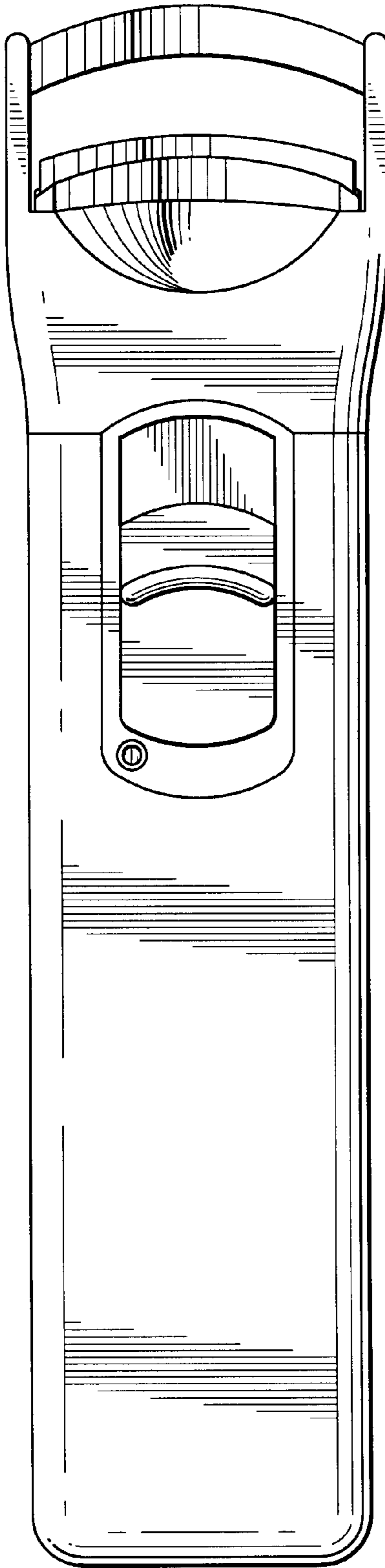


FIG. 2

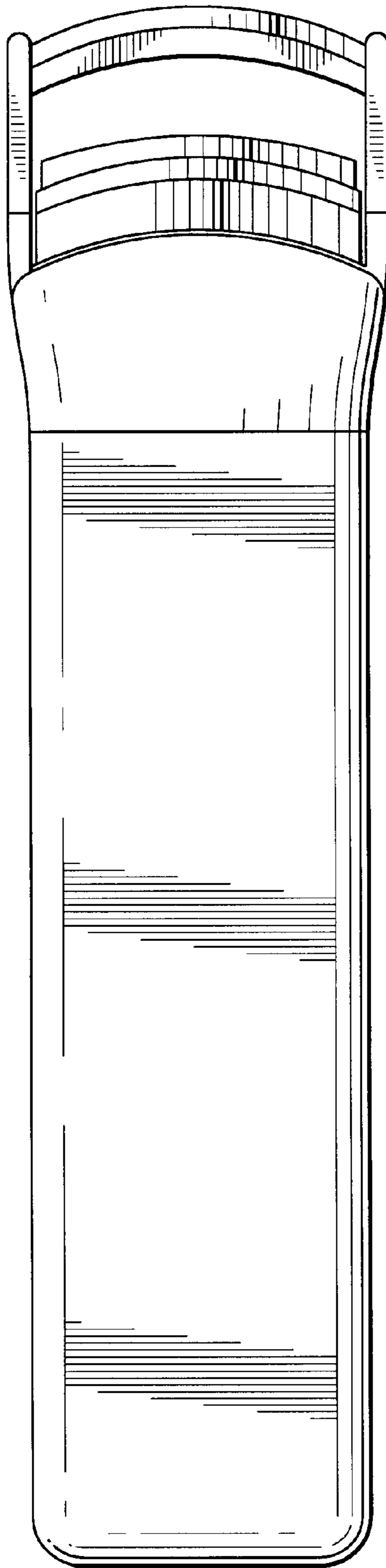


FIG. 3

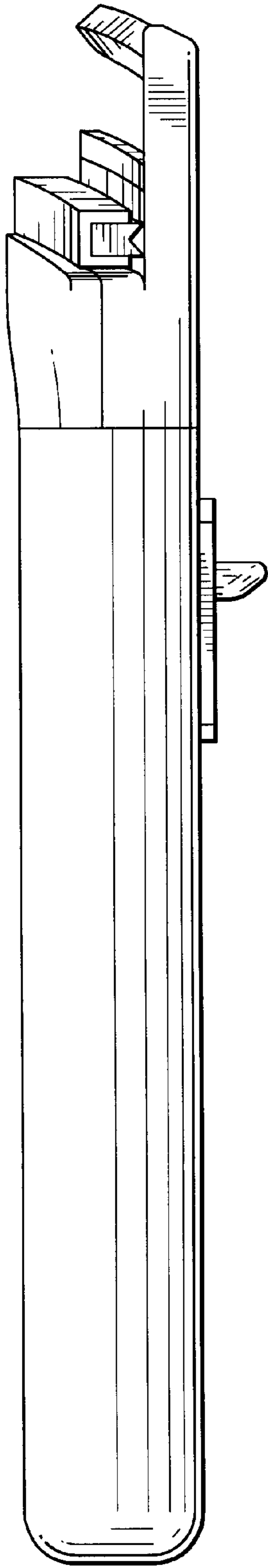


FIG. 4

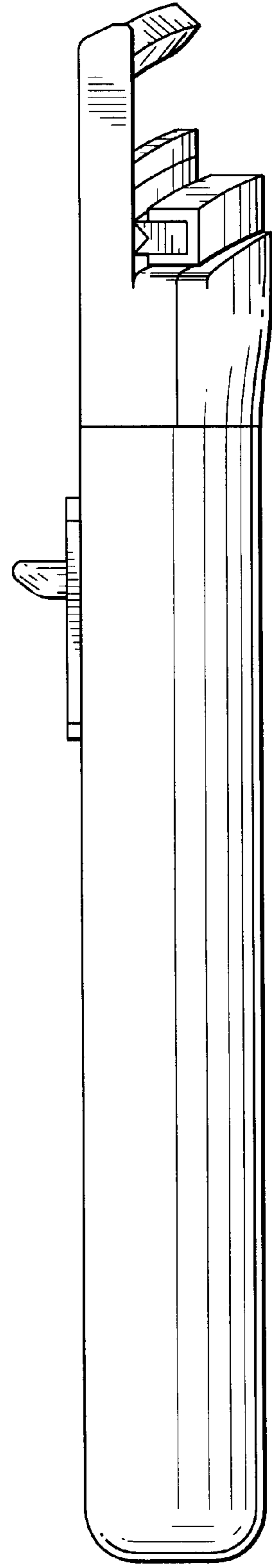


FIG. 5

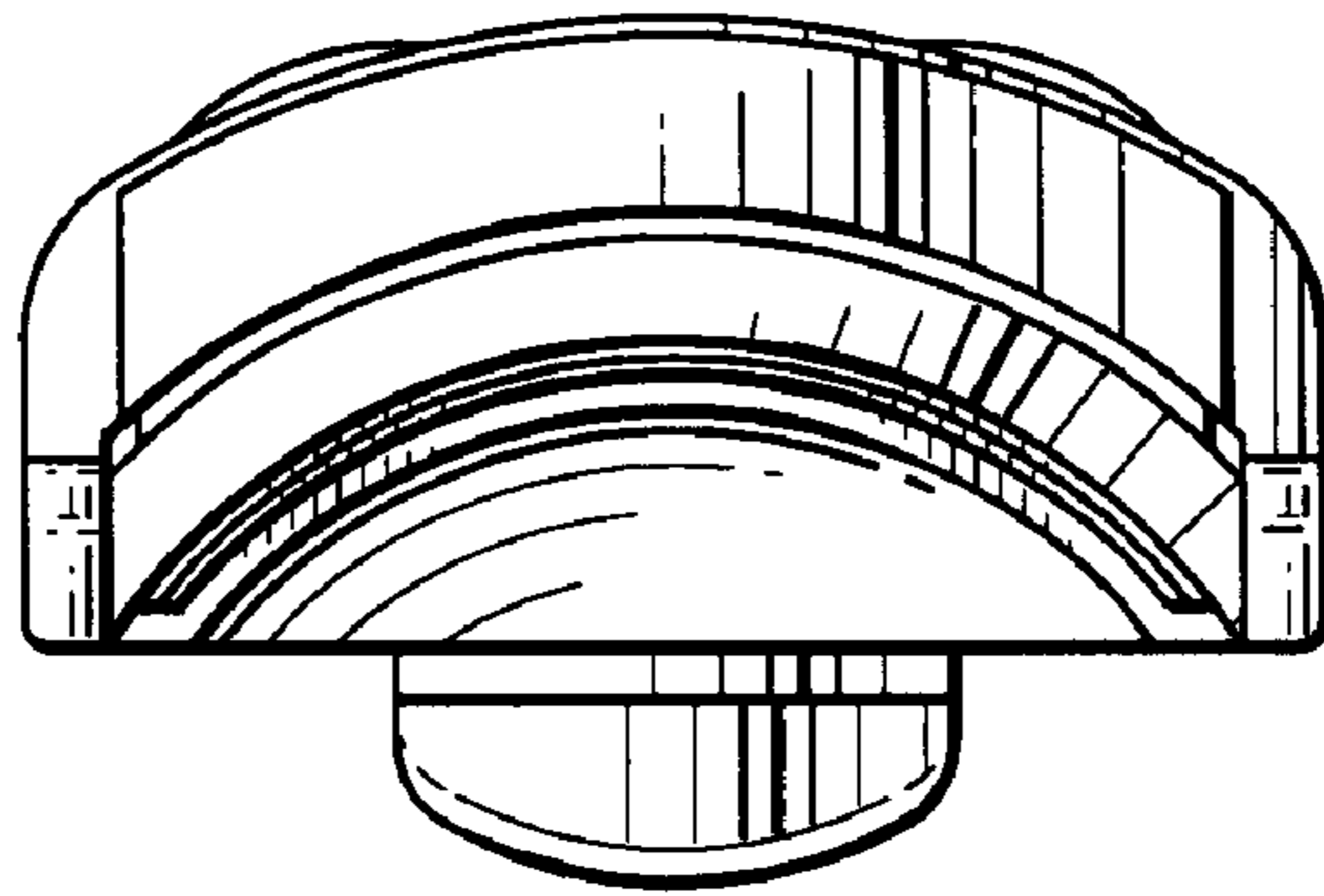


FIG. 6

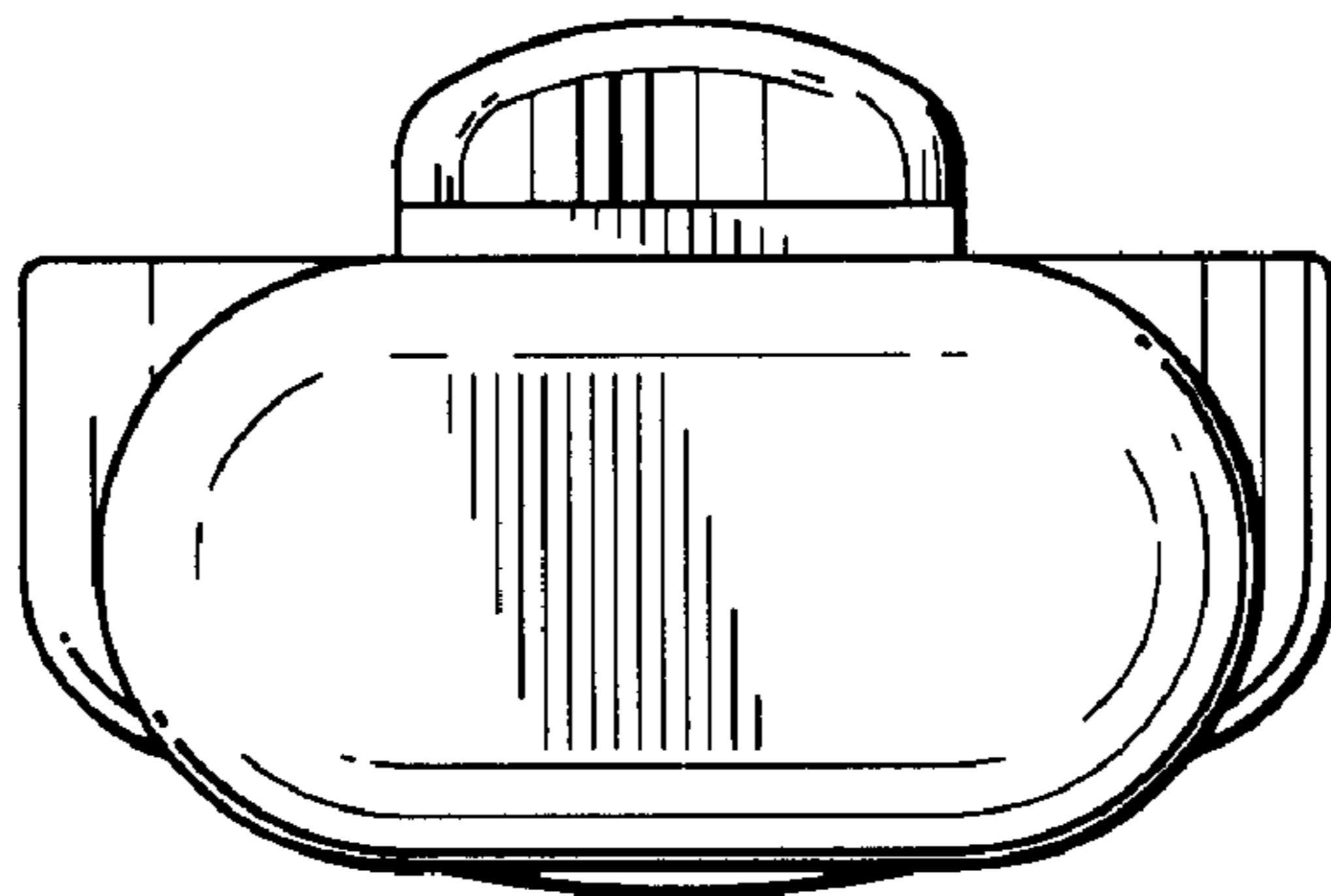


FIG. 7