



US00D443109S

(12) **United States Design Patent**
Takeshita et al.

(10) **Patent No.:** **US D443,109 S**

(45) **Date of Patent:** **** May 29, 2001**

(54) **BLOWER FOR A HAIR DRYER**

5,608,975 * 3/1997 Hsu 34/97

5,839,205 * 11/1998 Hung 34/97

5,857,262 * 1/1999 Bonnema et al. 34/97

(75) Inventors: **Seisuke Takeshita; Yoshiteru
Fukumoto, both of Tottori (JP)**

FOREIGN PATENT DOCUMENTS

(73) Assignee: **Tottori Sanyo Electric Co., Ltd.,
Tottori (JP)**

616843 1/1984 (JP) .

911657 11/1994 (JP) .

928312 6/1995 (JP) .

928314 6/1995 (JP) .

(**) Term: **14 Years**

* cited by examiner

(21) Appl. No.: **29/128,261**

Primary Examiner—Paula A. Mortimer

(22) Filed: **Jul. 26, 2000**

(74) *Attorney, Agent, or Firm*—Darby & Darby

(30) **Foreign Application Priority Data**

Apr. 21, 2000 (JP) 12-010553

(57) **CLAIM**

(51) **LOC (7) Cl.** **28-03**

We claim the ornamental design for a blower for a hair dryer,
as shown and described.

(52) **U.S. Cl.** **D28/18**

DESCRIPTION

(58) **Field of Search** D28/18; D23/383;
34/96, 97, 98, 107; 415/220, 222; 219/242

FIG. 1 is a top, front and right side perspective view of our
design for a blower for hair dryer;
FIG. 2 is a front elevation view of our new design;
FIG. 3 is a rear elevation view thereof;
FIG. 4 is a top plan view thereof;
FIG. 5 is a bottom plan view thereof;
FIG. 6 is a left side elevational view thereof; and,
FIG. 7 is a right side elevational view thereof.

(56) **References Cited**

U.S. PATENT DOCUMENTS

D. 314,619 * 2/1991 Beavers et al. D23/383

3,168,235 * 2/1965 Valdi 415/220

5,161,317 * 11/1992 McDougall 34/97

5,317,815 * 6/1994 Hwang 34/97

5,507,103 * 4/1996 Merritt 34/97

1 Claim, 4 Drawing Sheets

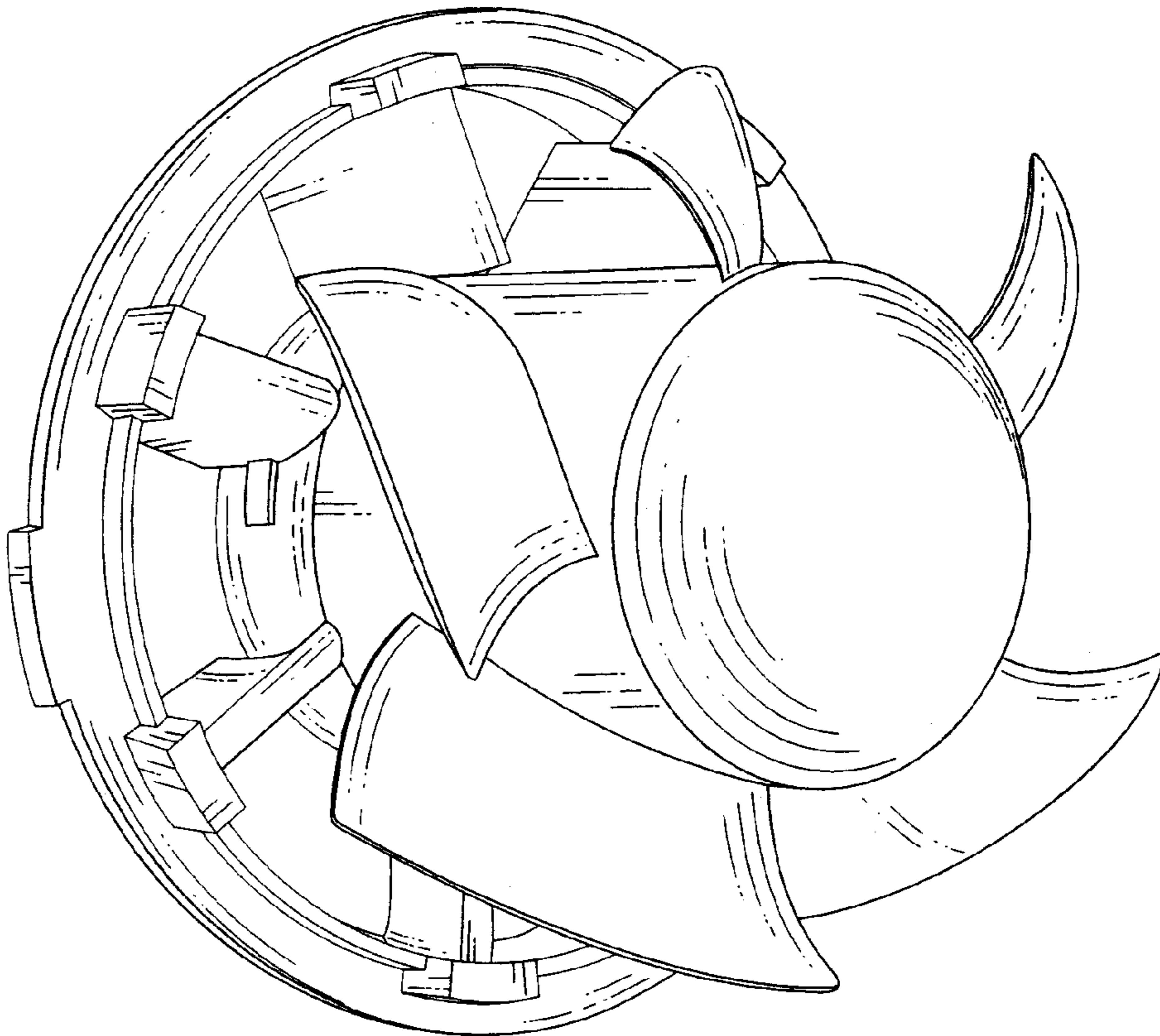


FIG. 1

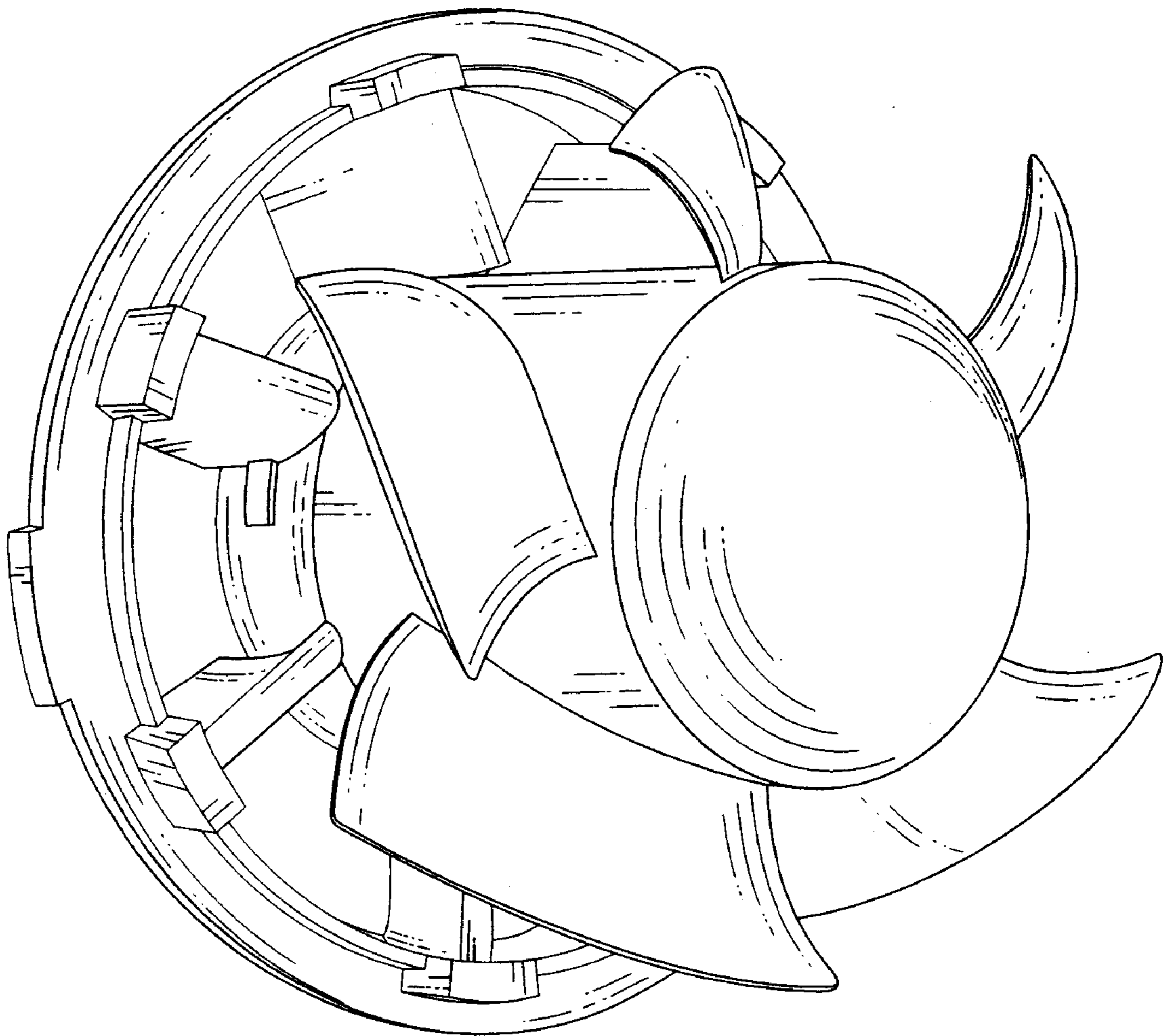


FIG. 2

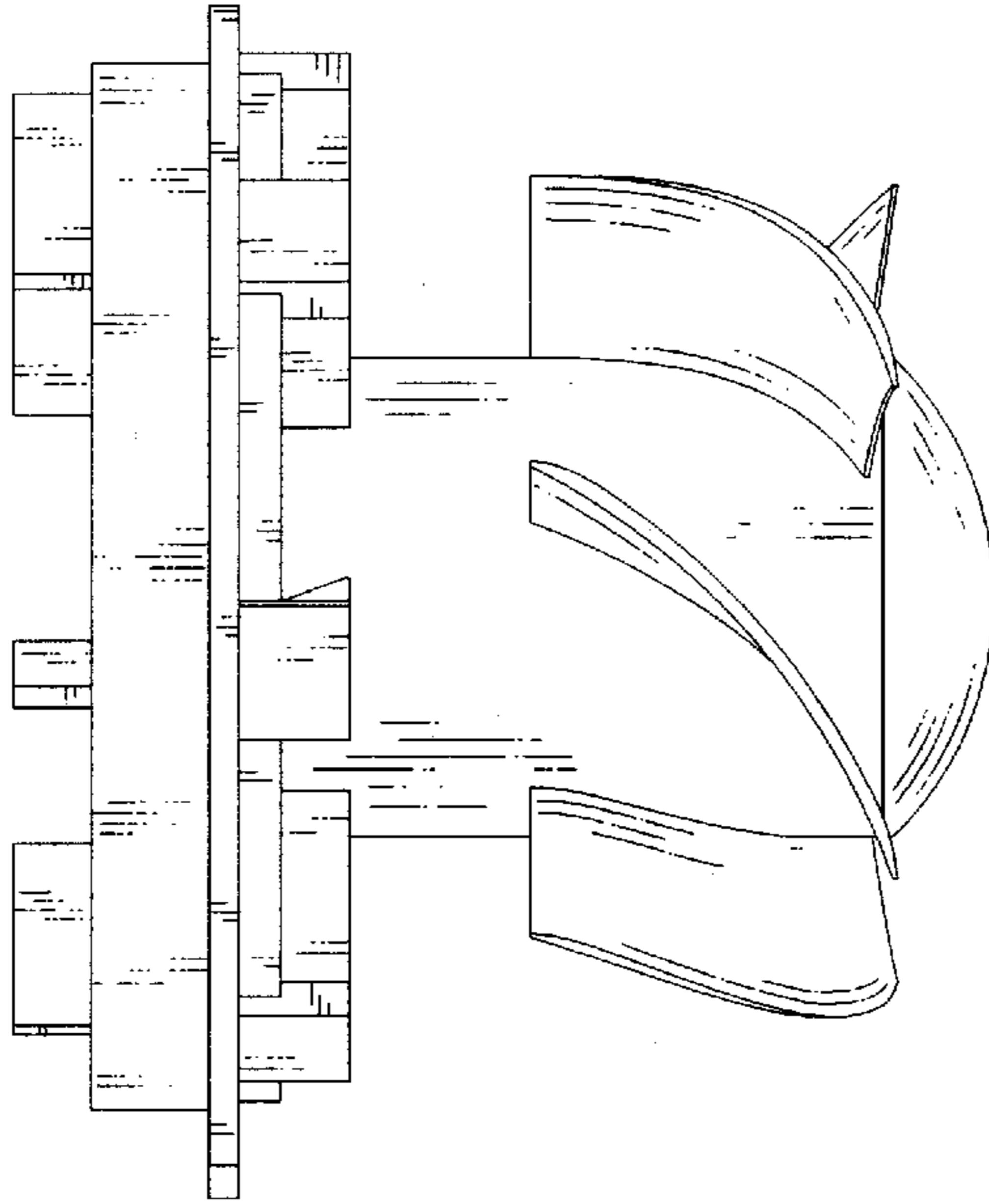


FIG. 3

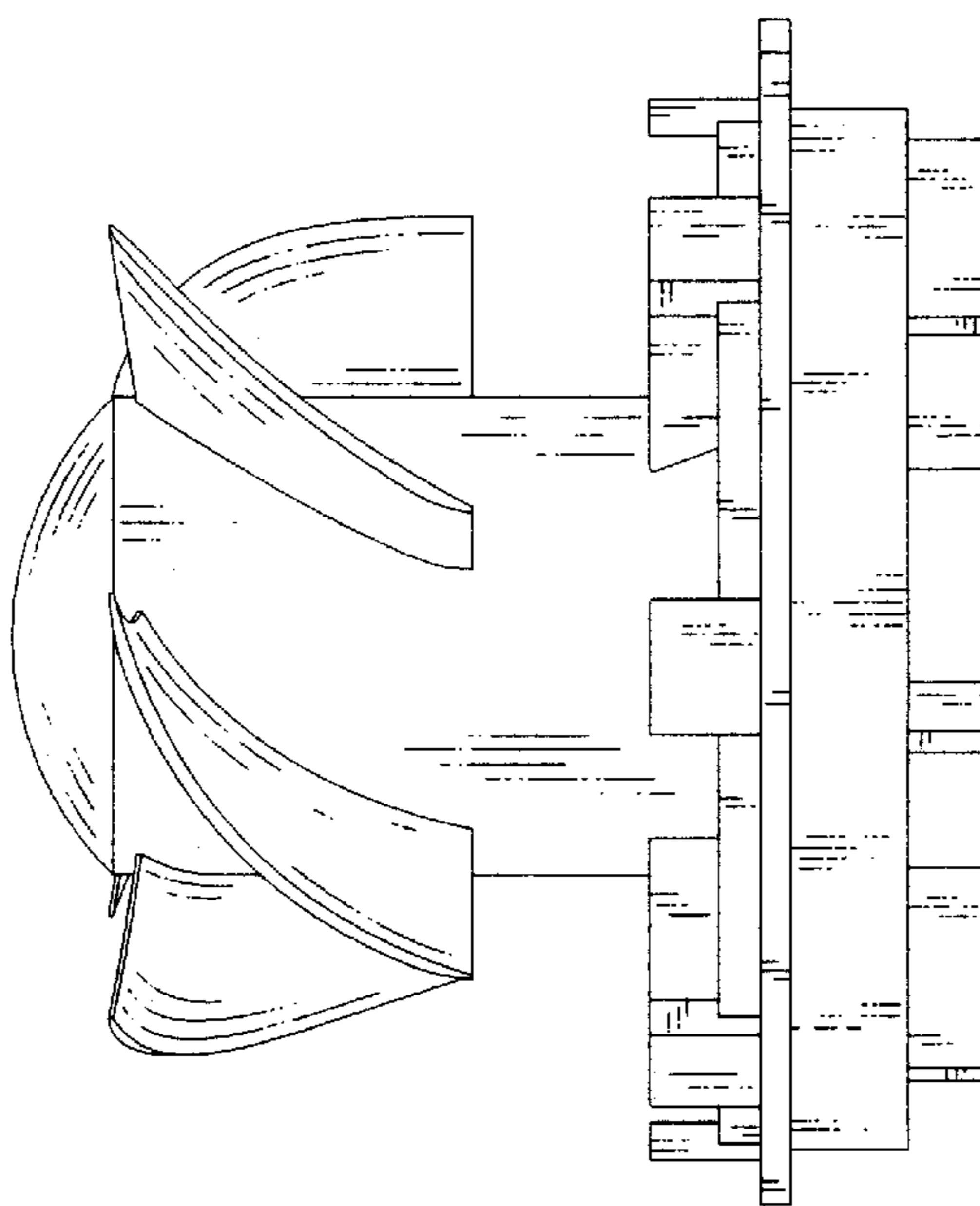


FIG. 4

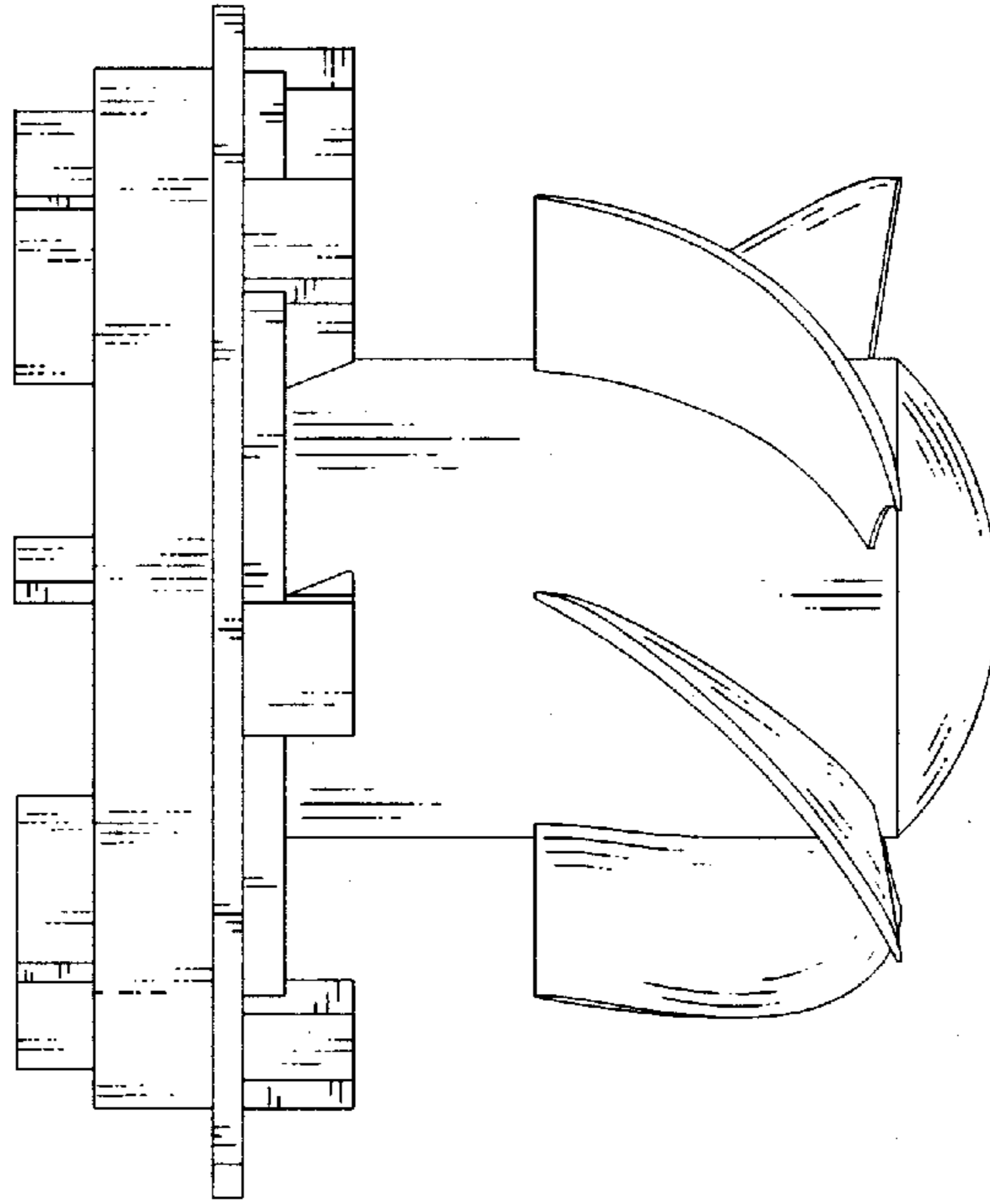


FIG. 5

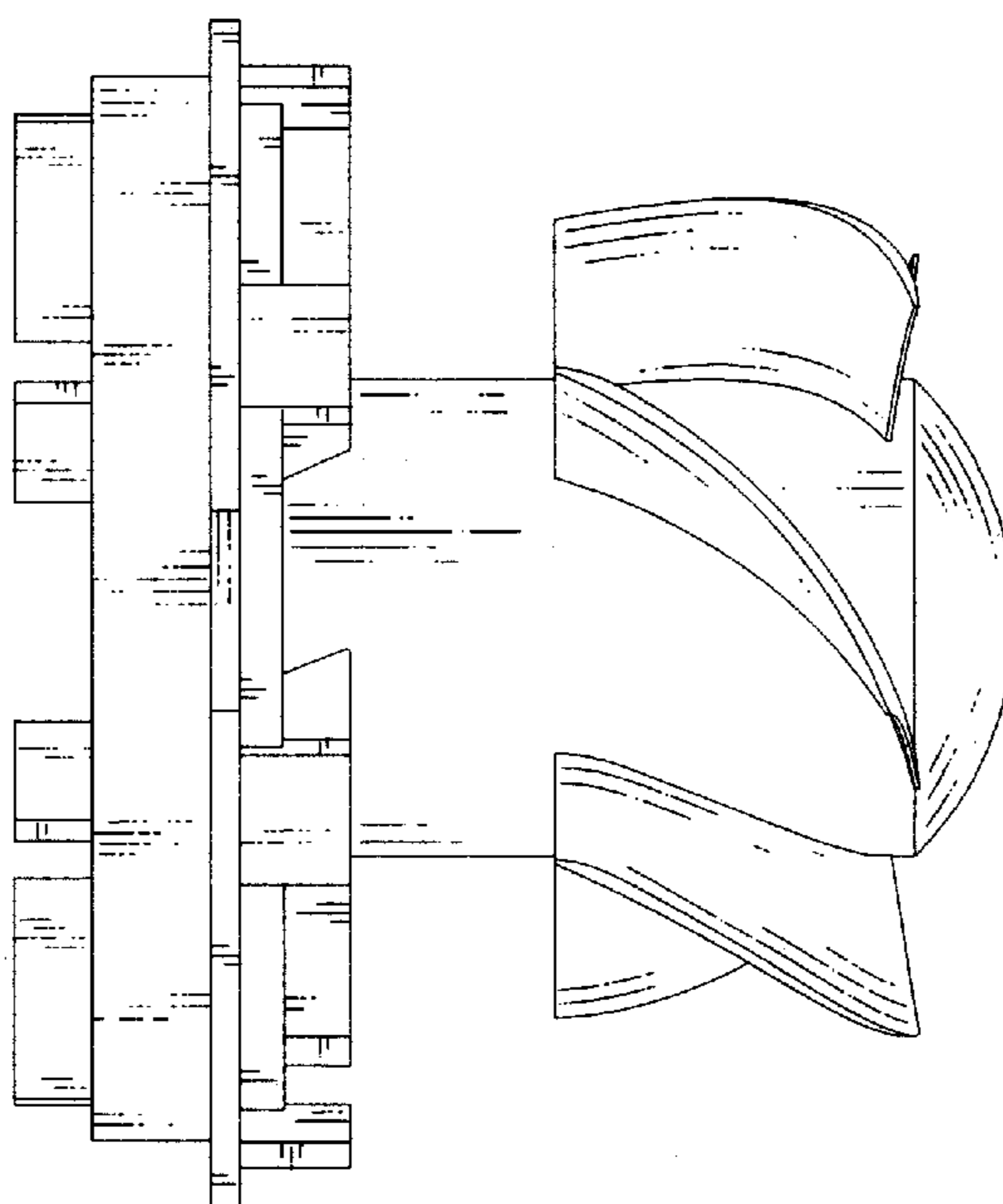


FIG. 6

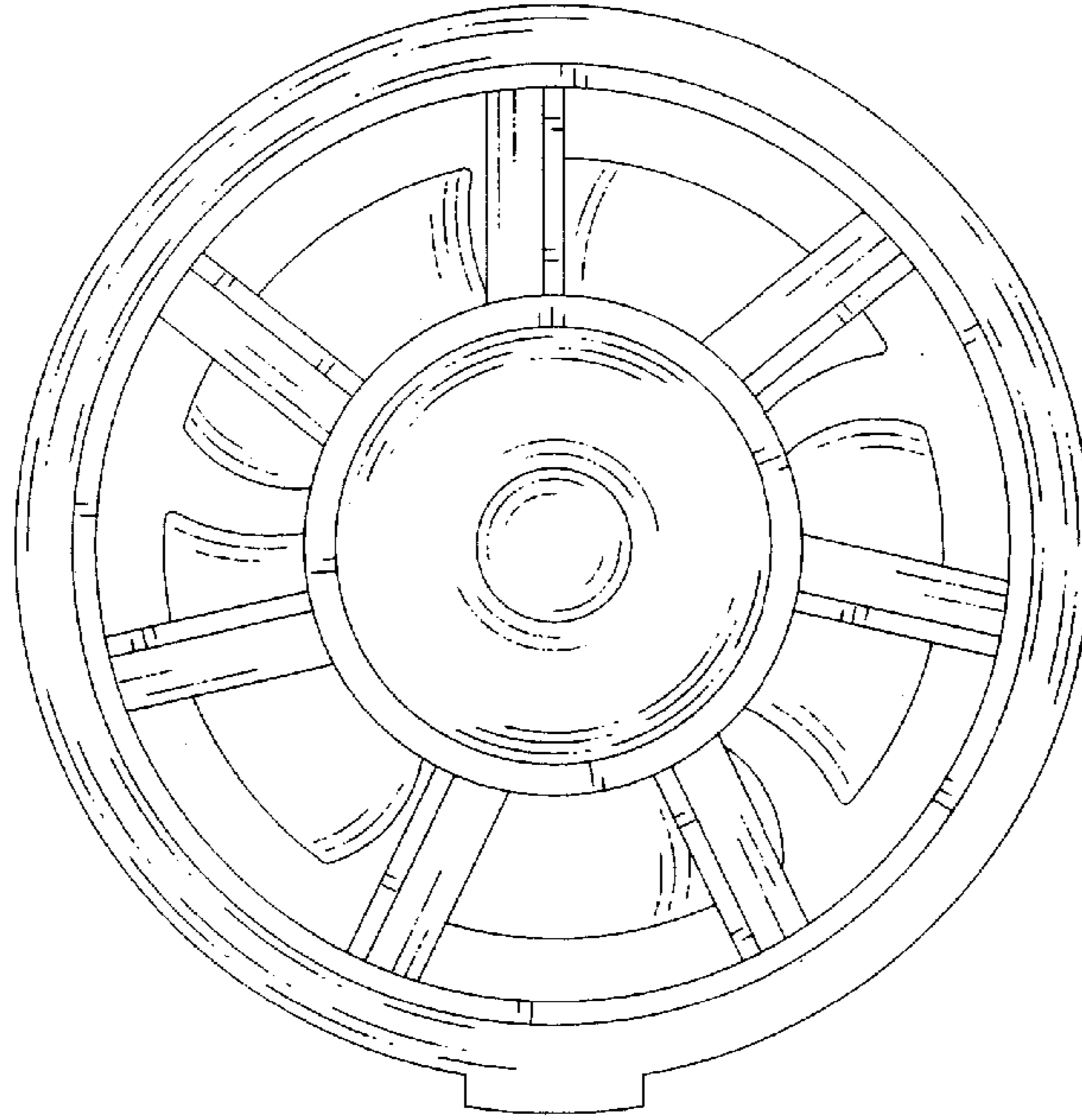


FIG. 7

