



US00D443103S

(12) **United States Design Patent** (10) **Patent No.:** **US D443,103 S**
Neason (45) **Date of Patent:** **** May 29, 2001**

(54) **SMOKERS'S IMPLEMENT**

(76) Inventor: **Erik Neason**, 4317 Elmer Ave., North Hollywood, CA (US) 91602

(**) Term: **14 Years**

(21) Appl. No.: **29/128,072**

(22) Filed: **Aug. 17, 2000**

(51) **LOC (7) Cl.** **27-02**

(52) **U.S. Cl.** **D27/162**

(58) **Field of Search** D27/162, 164;
131/173, 210

(56) **References Cited**

U.S. PATENT DOCUMENTS

Re. 36,523	*	1/2000	Newman	D27/162
D. 244,473	*	5/1977	Karl	D27/162
D. 368,325	*	3/1996	Heine	D27/162
3,863,646	*	2/1975	Kahler	131/173
4,108,152	*	8/1978	Kahler	131/173

* cited by examiner

Primary Examiner—Susan J. Lucas

Assistant Examiner—Jennifer Rivard

(74) *Attorney, Agent, or Firm*—Bradley M. Ganz, Esq.

(57) **CLAIM**

The ornamental design for a smoker's implement, as shown and described.

DESCRIPTION

FIG. 1 is a perspective view of a smoker's implement, showing my new design;

FIG. 2 is a top plan view thereof;

FIG. 3 is a bottom plan thereof;

FIG. 4 is a front elevational view thereof;

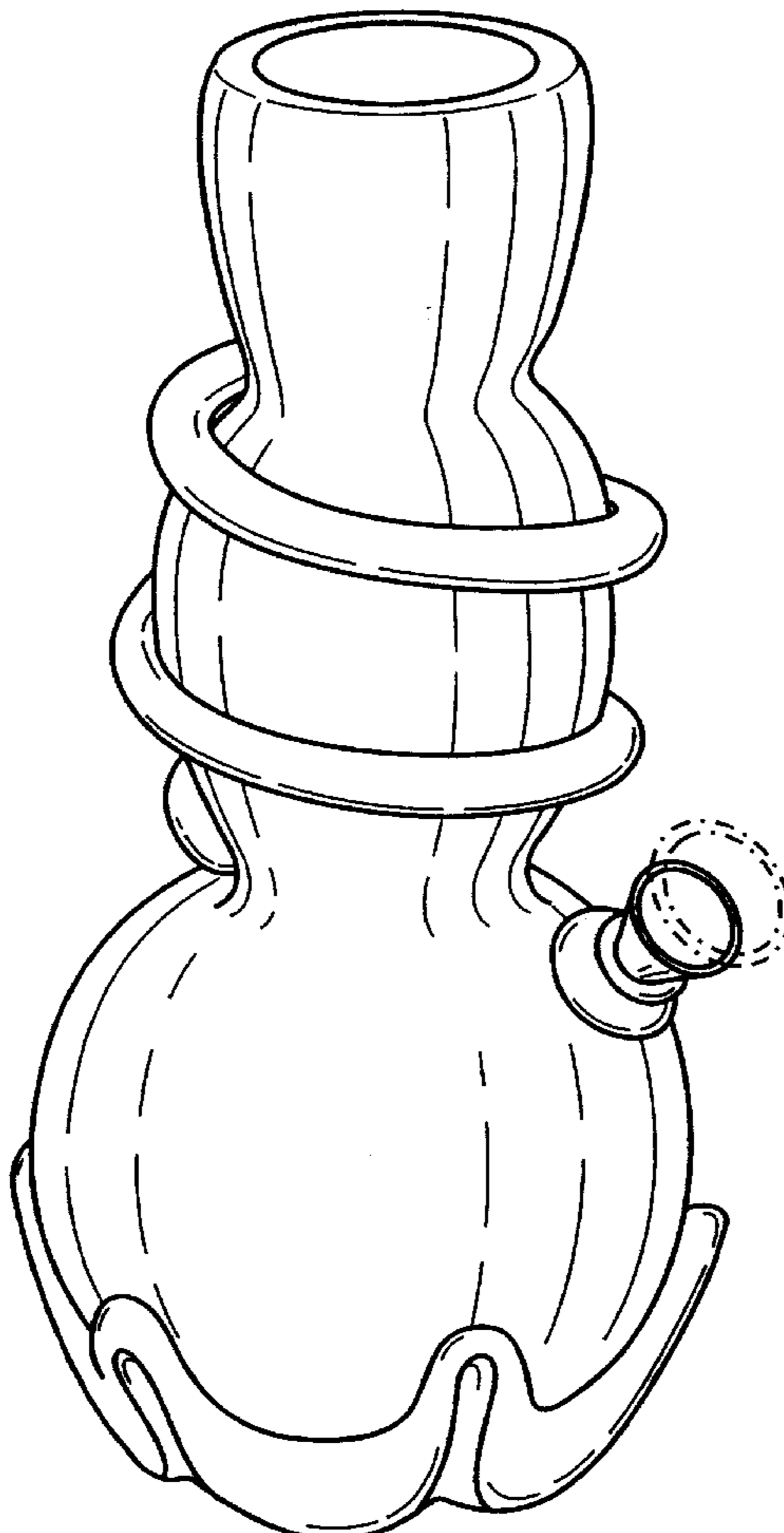
FIG. 5 is a back elevational view thereof; and

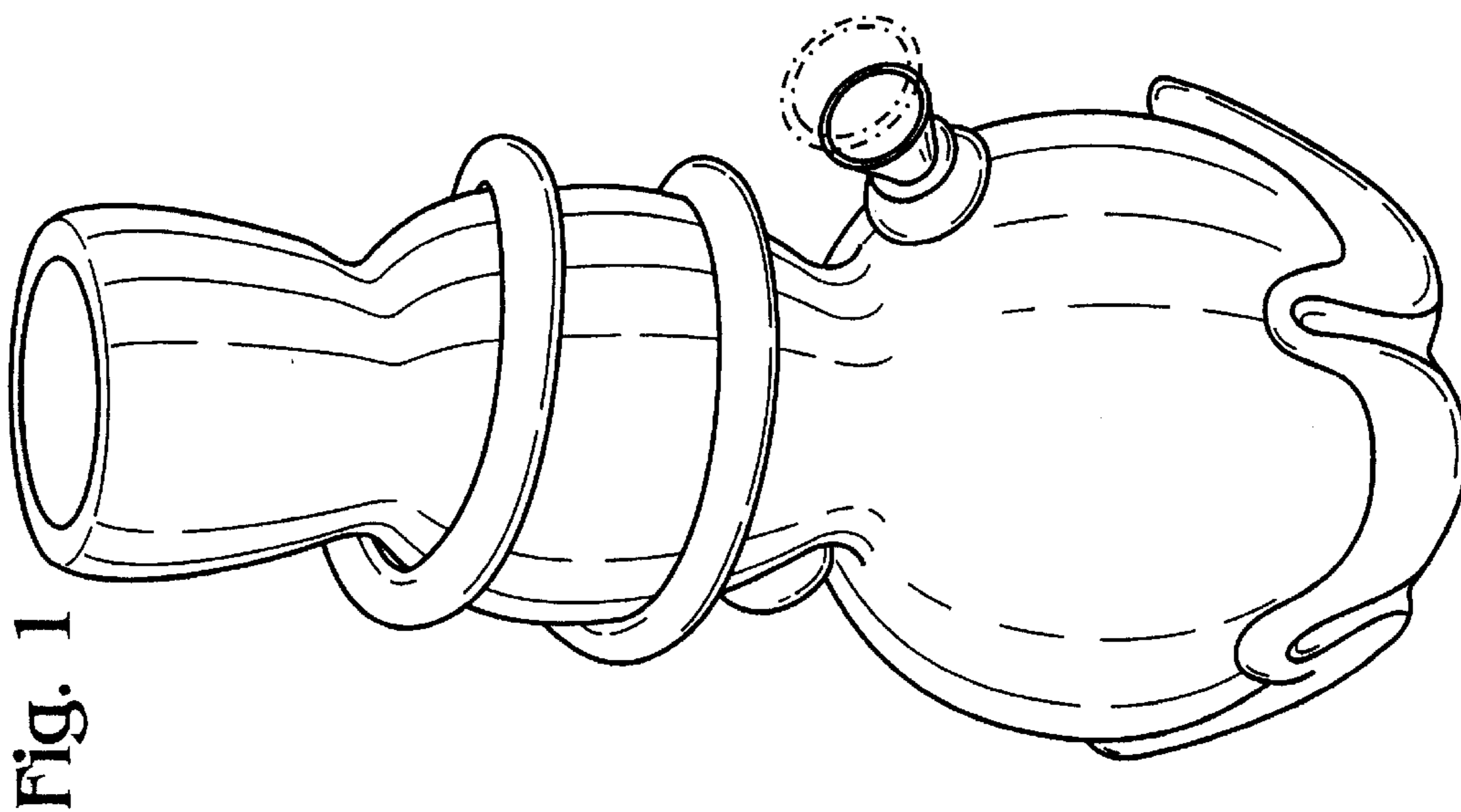
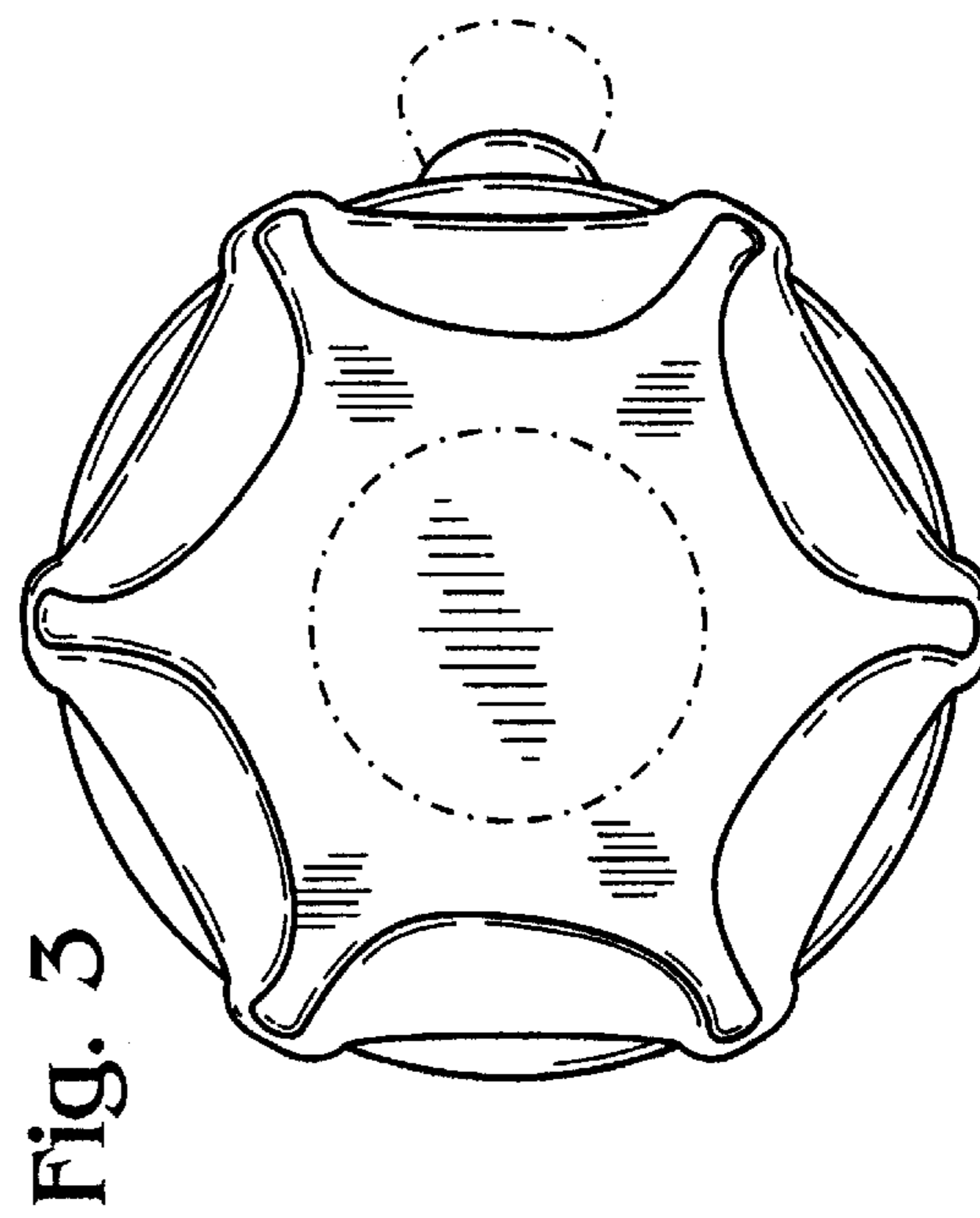
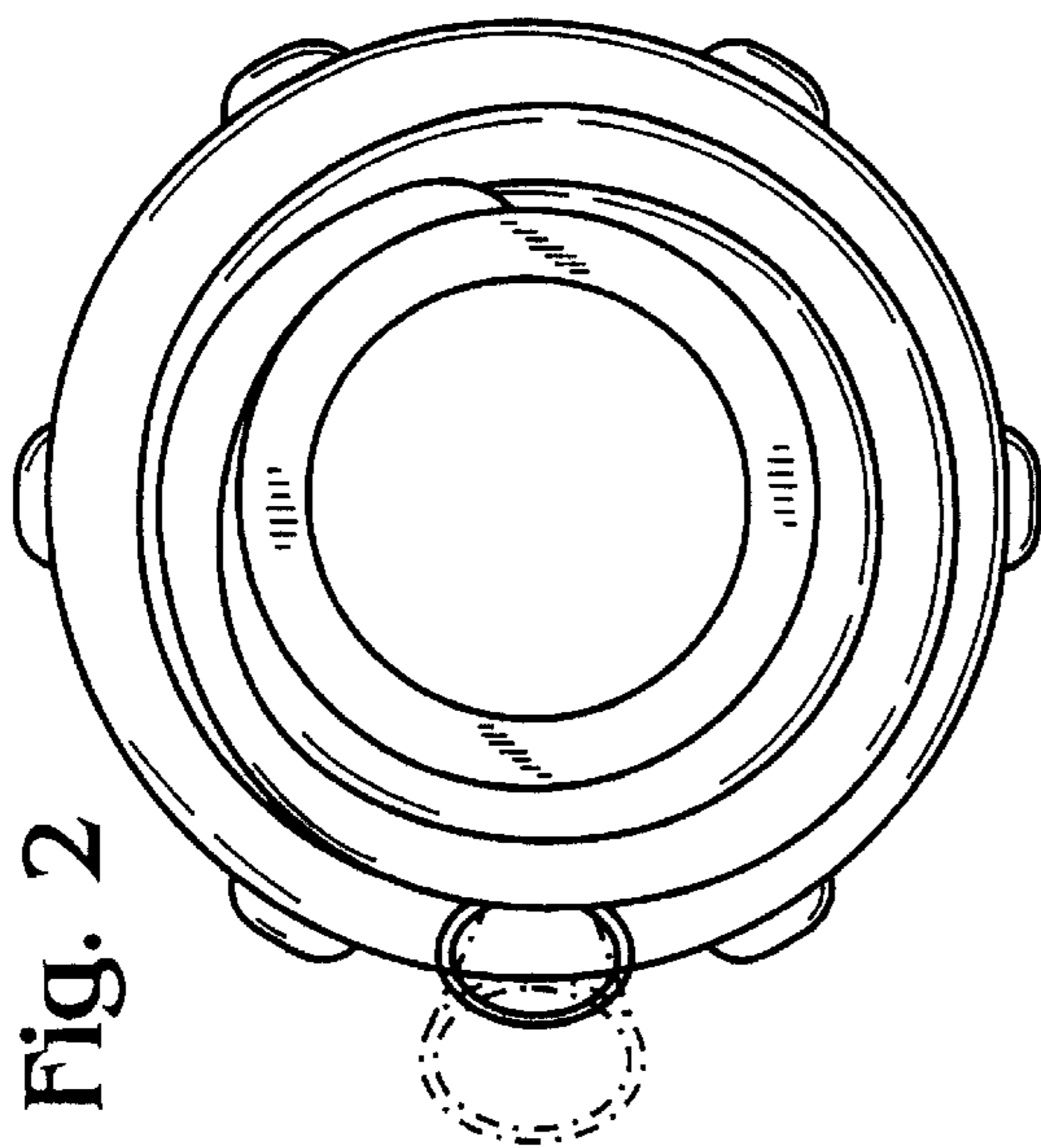
FIG. 6 is a right side elevational view thereof; and,

FIG. 7 is a left side elevational view thereof.

The broken lines are shown for illustrative purposes only and form no part of the claimed design.

1 Claim, 3 Drawing Sheets





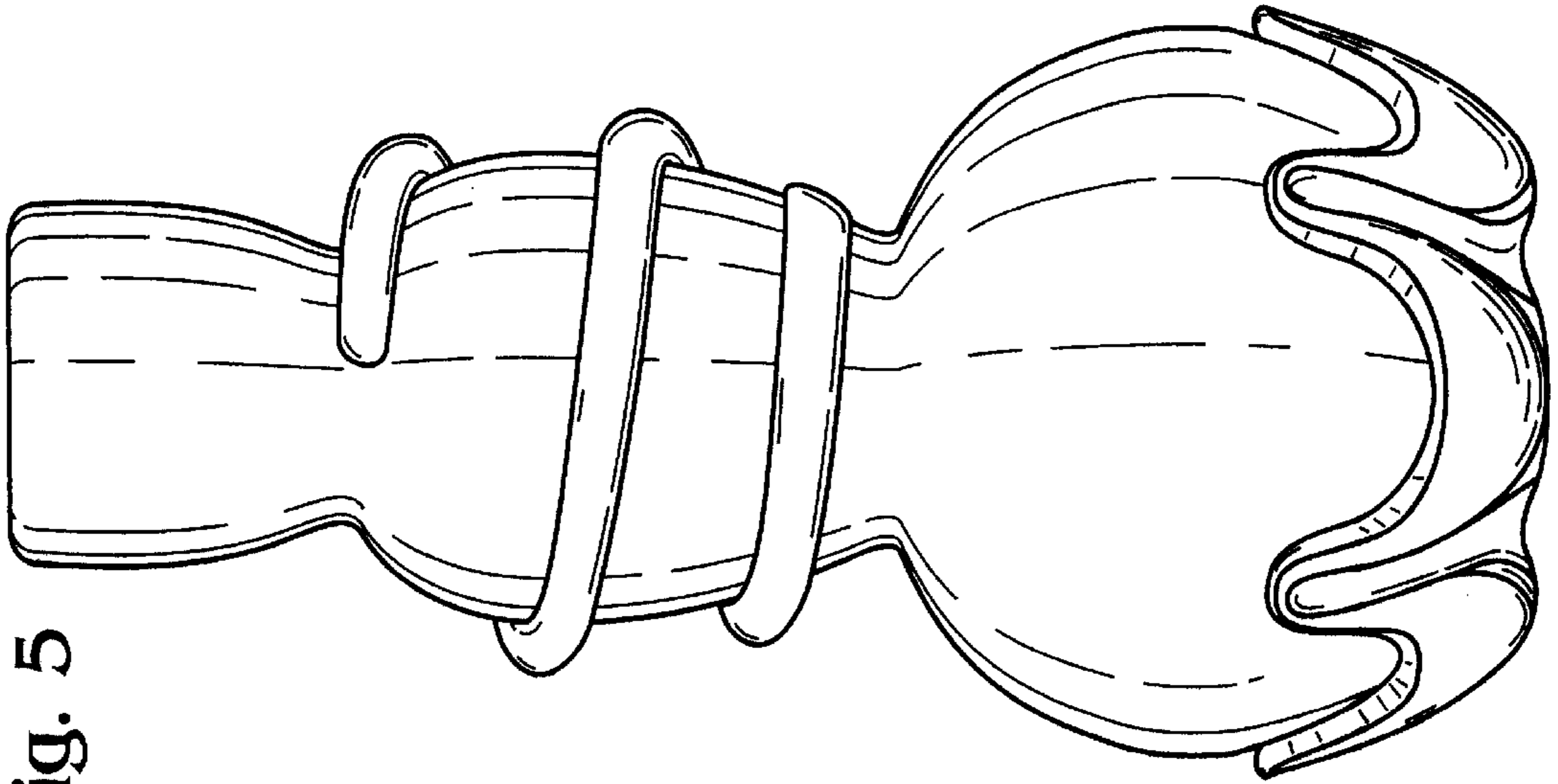


Fig. 5

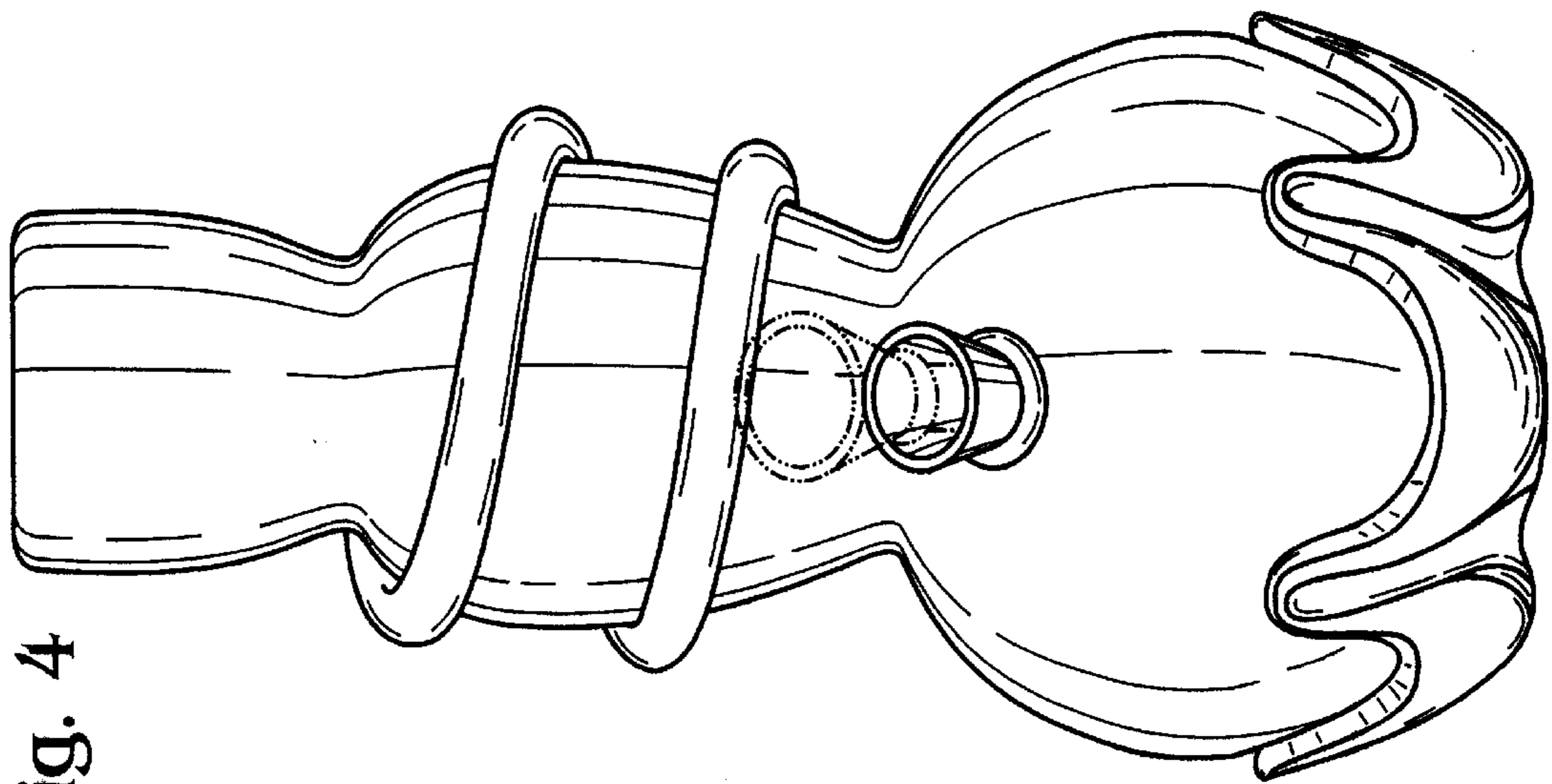


Fig. 4

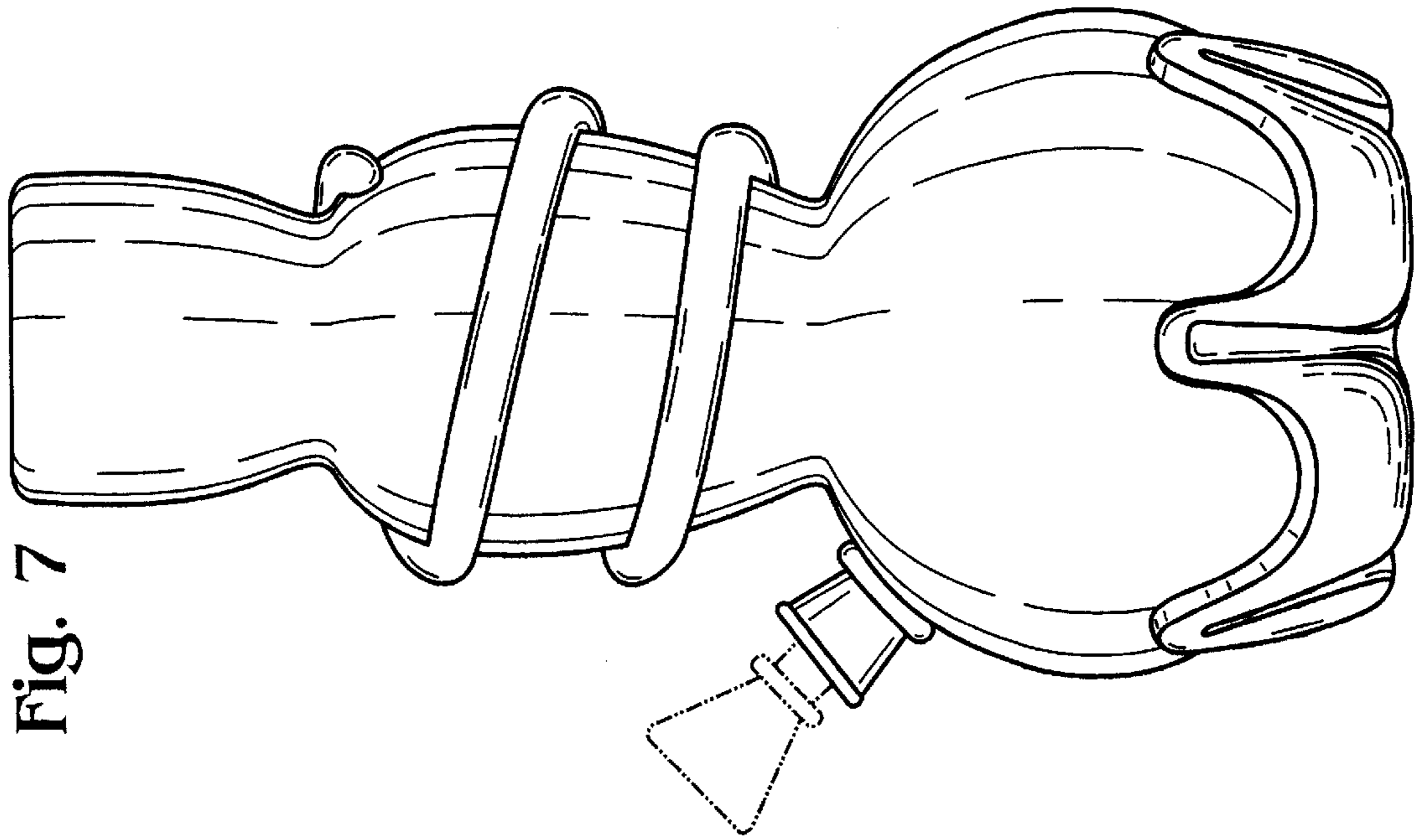


Fig. 7

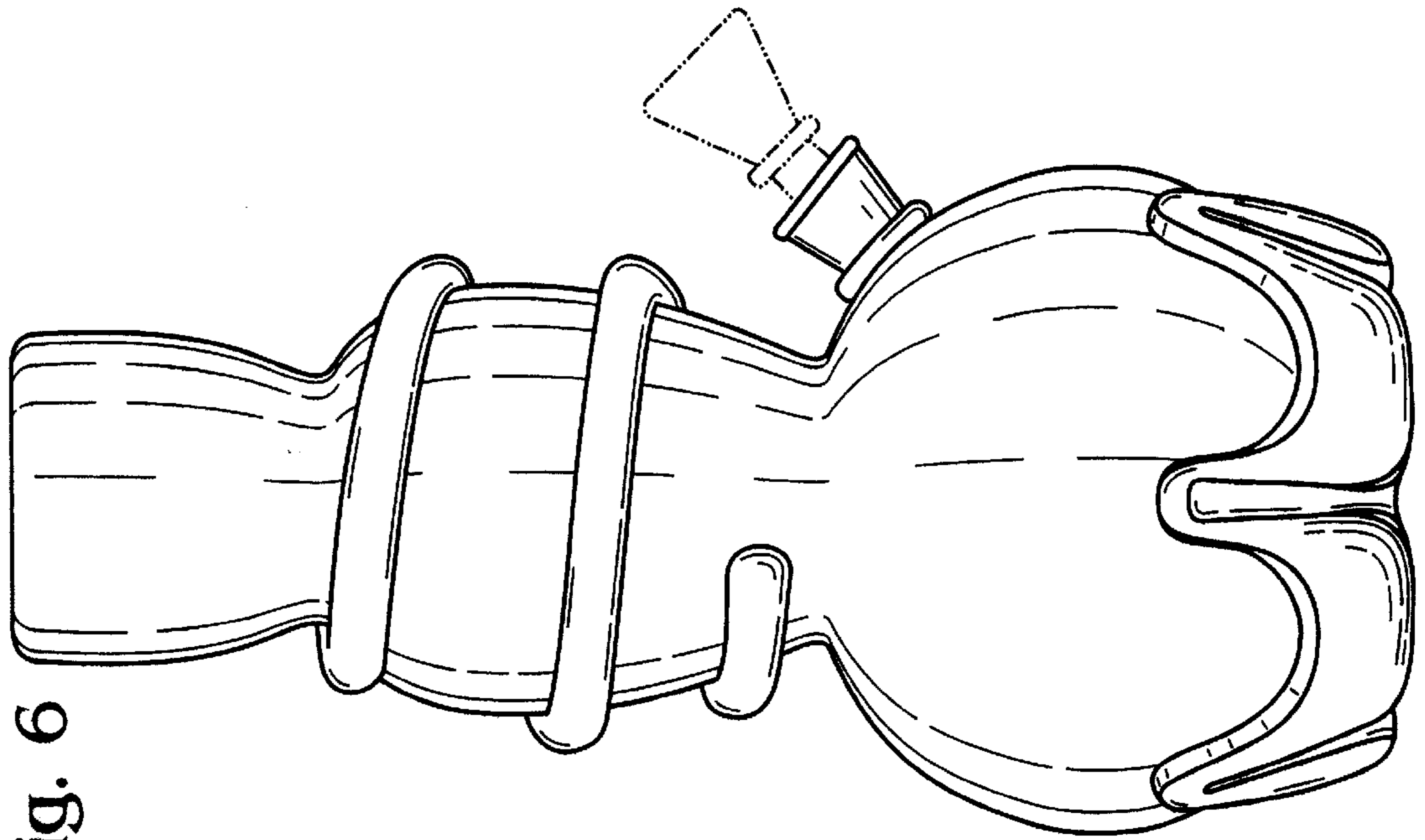


Fig. 6