



US00D443101S

(12) **United States Design Patent** (10) **Patent No.:** **US D443,101 S**  
**Williamson** (45) **Date of Patent:** **\*\* May 29, 2001**

(54) **OIL LAMP HOLDER**

(76) Inventor: **Eyreick Williamson**, 8312 Davista Dr., Whittier, CA (US) 90602

(\*\*) Term: **14 Years**

(21) Appl. No.: **29/130,398**

(22) Filed: **Sep. 29, 2000**

(51) **LOC (7) Cl.** ..... **26-99**

(52) **U.S. Cl.** ..... **D26/114; D26/116**

(58) **Field of Search** ..... D26/9, 10, 11, D26/8, 114, 116; 431/345, 320, 298

(56) **References Cited**

**U.S. PATENT DOCUMENTS**

235,926	*	12/1880	Arndt	.....	431/320
D. 280,938	*	10/1985	Sher	.....	D26/9
1,142,234	*	6/1915	Bryson	.....	431/320
4,477,247	*	10/1984	Kumasaka	.....	431/320
5,840,257	*	11/1998	Bureau et al.	.....	431/320

\* cited by examiner

*Primary Examiner*—Robin V. Taylor  
(74) *Attorney, Agent, or Firm*—Seed IP Law Group PLLC

(57) **CLAIM**

The ornamental design for an oil lamp holder, as shown and described.

**DESCRIPTION**

A portion of this disclosure contains material to which a claim for copyright is made. The inventor (copyright owner) has no objection to the facsimile reproduction by anyone of the patent document or the patent disclosure, as it appears in the Patent and Trademark Office files or records, but reserves all other copyright rights whatsoever.

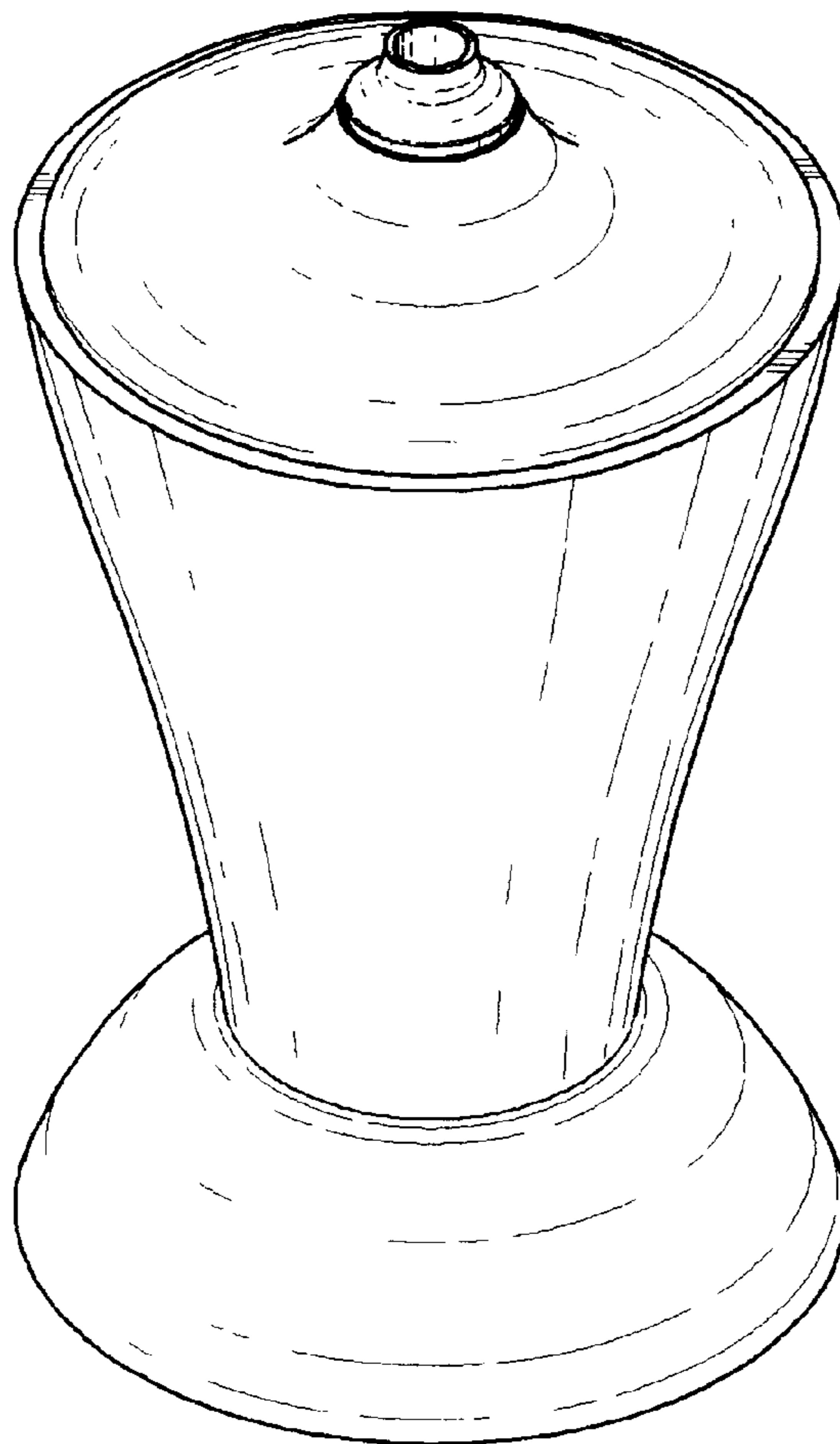
FIG. 1 is a top, front isometric view of an oil lamp holder.

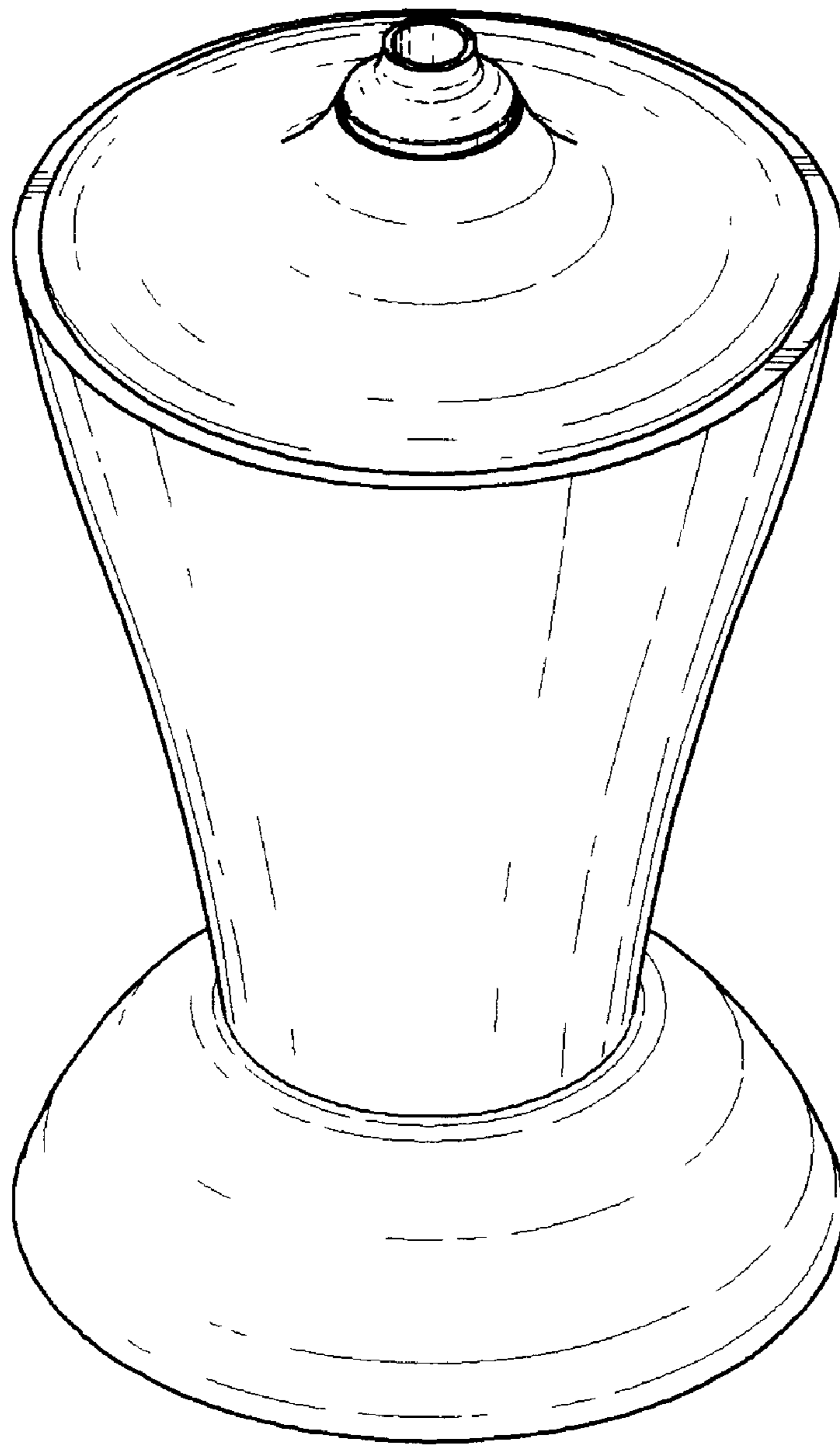
FIG. 2 is a front, elevational view thereof, the left side elevational view, the right side elevational view, and the rear elevational view are mirror images thereof.

FIG. 3 is a top plan view thereof; and,

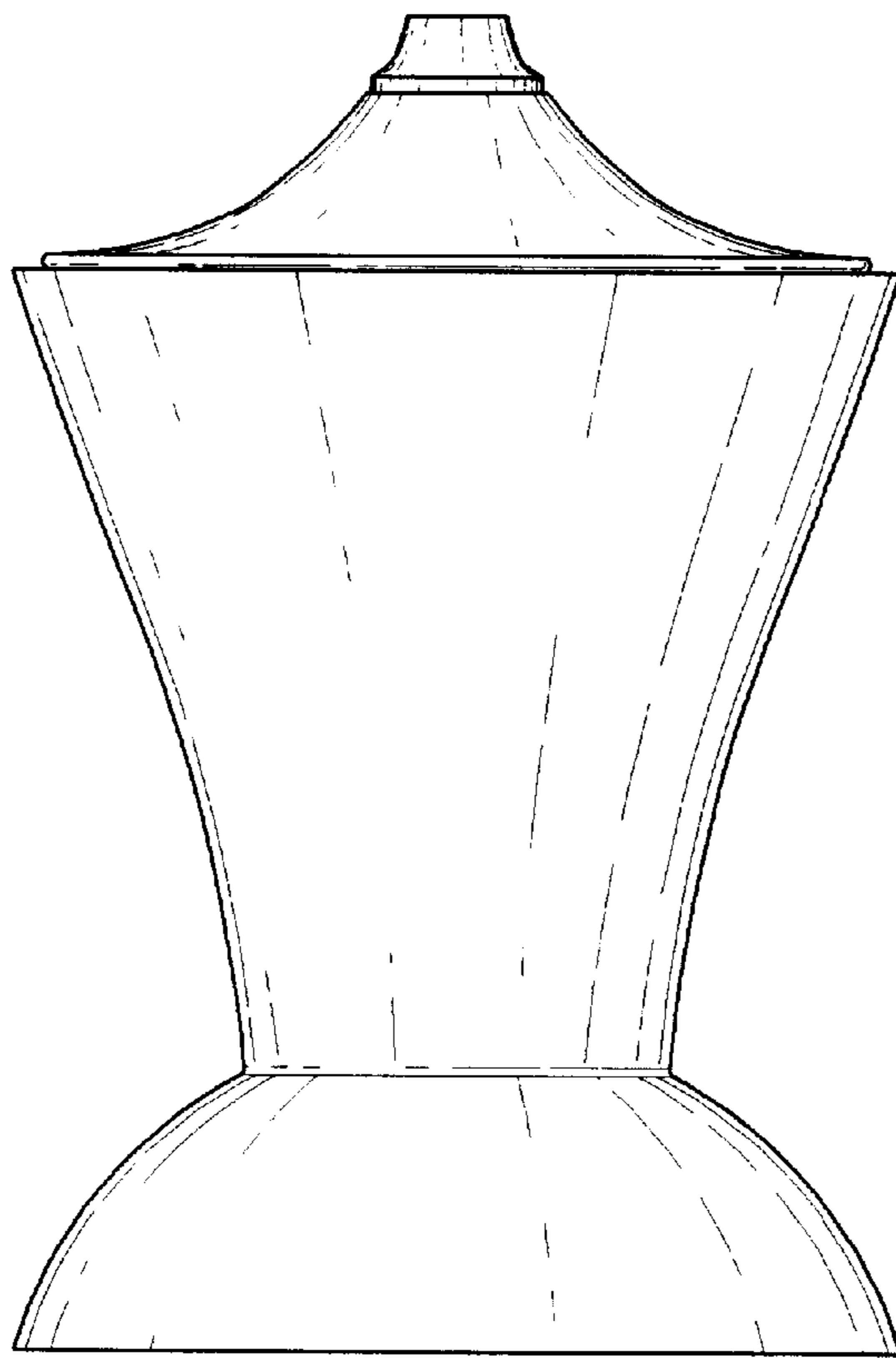
FIG. 4 is a bottom plan view thereof.

**1 Claim, 2 Drawing Sheets**

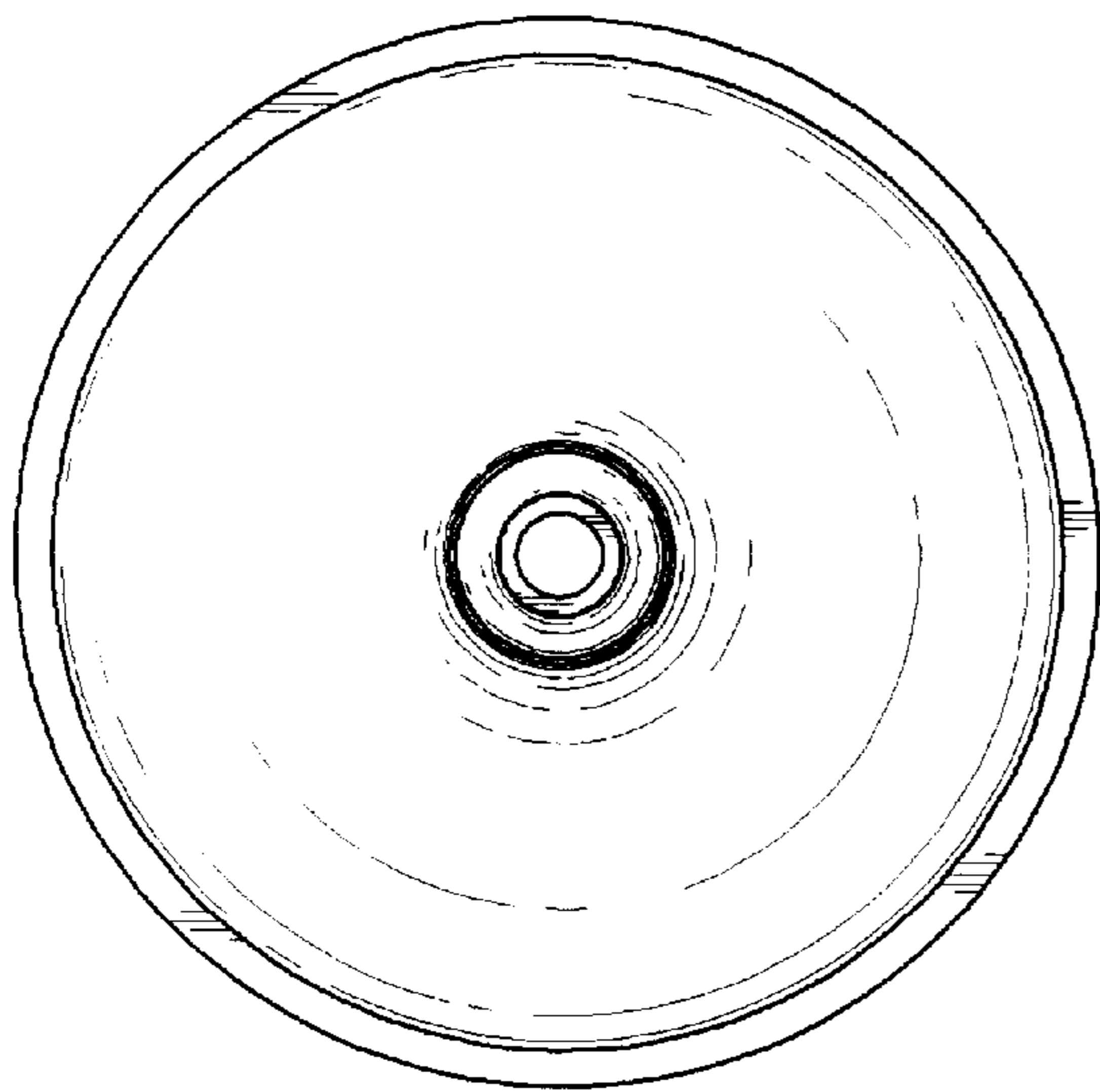




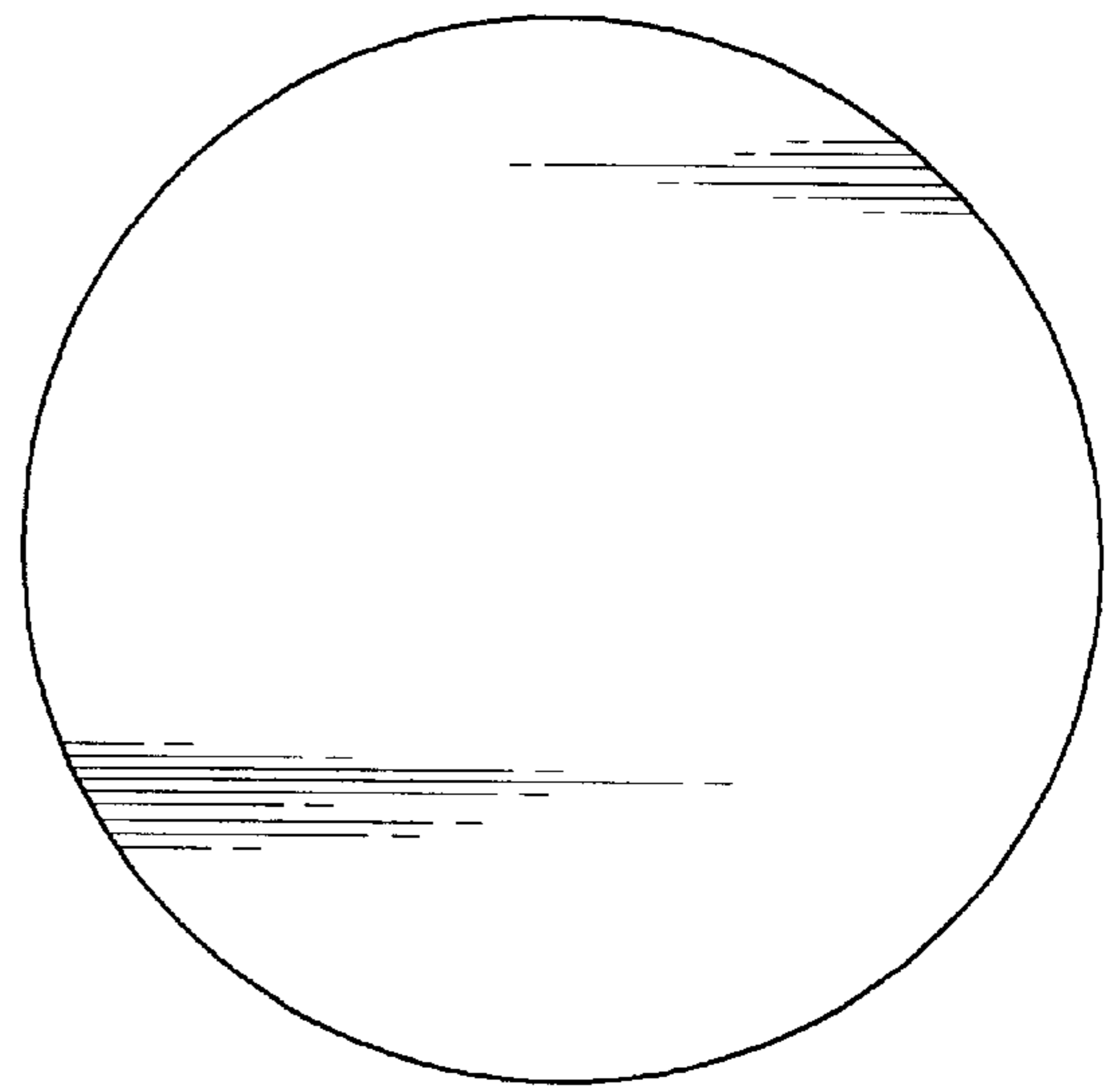
*Fig. 1*



*Fig. 2*



*Fig. 3*



*Fig. 4*