



US00D443099S

(12) **United States Design Patent**
Williams

(10) **Patent No.:** **US D443,099 S**

(45) **Date of Patent:** **** May 29, 2001**

(54) **VANITY BAR LIGHT FIXTURE**

(75) Inventor: **Tammy Williams**, Scottsdale, AZ (US)

(73) Assignee: **Litex Industries, Inc.**, Grand Prairie, TX (US)

(**) Term: **14 Years**

(21) Appl. No.: **29/121,695**

(22) Filed: **Apr. 12, 2000**

(51) **LOC (7) Cl.** **26-05**

(52) **U.S. Cl.** **D26/87**

(58) **Field of Search** D26/72, 87, 92,
D26/142, 155; 362/147, 432

(56) **References Cited**

U.S. PATENT DOCUMENTS

D. 391,662 * 3/1998 Miranda D26/87

OTHER PUBLICATIONS

Kalco Lighting catalog, 1992, p. 52, wall lamp #WT6P-1389.*

* cited by examiner

Primary Examiner—Susan J. Lucas

(74) *Attorney, Agent, or Firm*—Sidley & Austin

(57) **CLAIM**

The ornamental design for an vanity bar light fixture, as shown and described.

DESCRIPTION

FIG. 1 is a perspective view of a vanity bar light fixture embodying my design;

FIG. 2 is a front view thereof;

FIG. 3 is a left side view thereof, a right side view being identical thereto;

FIG. 4 is a bottom view thereof;

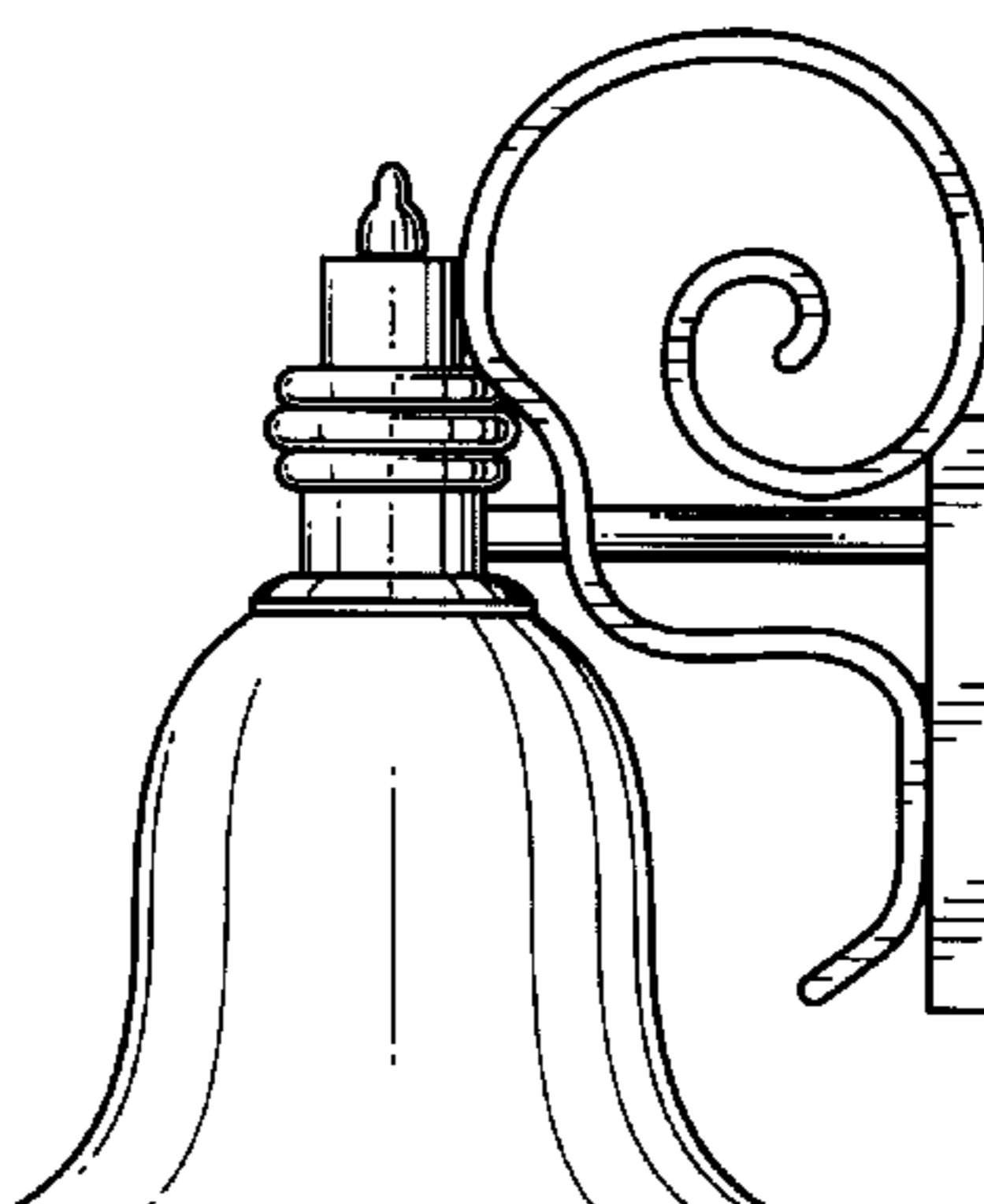
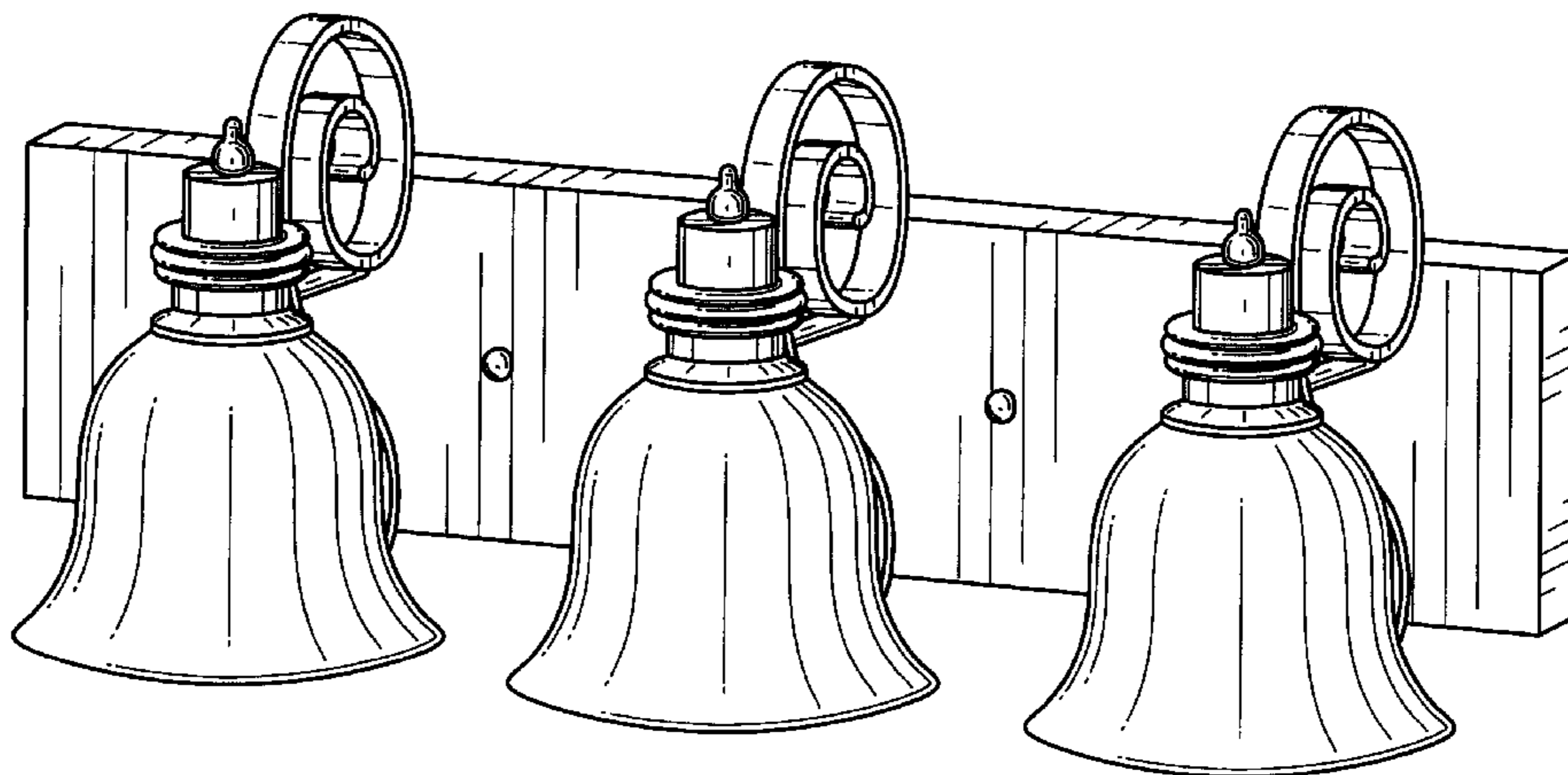
FIG. 5 is a top view thereof;

FIG. 6 is perspective view of an alternative embodiment of the design shown in FIGS. 1-5; and,

FIG. 7 is a left side view of FIG. 6, a right side view being identical thereto.

The broken lines are shown in FIG. 5 for illustrative purposes only and form no part of the claimed design.

1 Claim, 5 Drawing Sheets



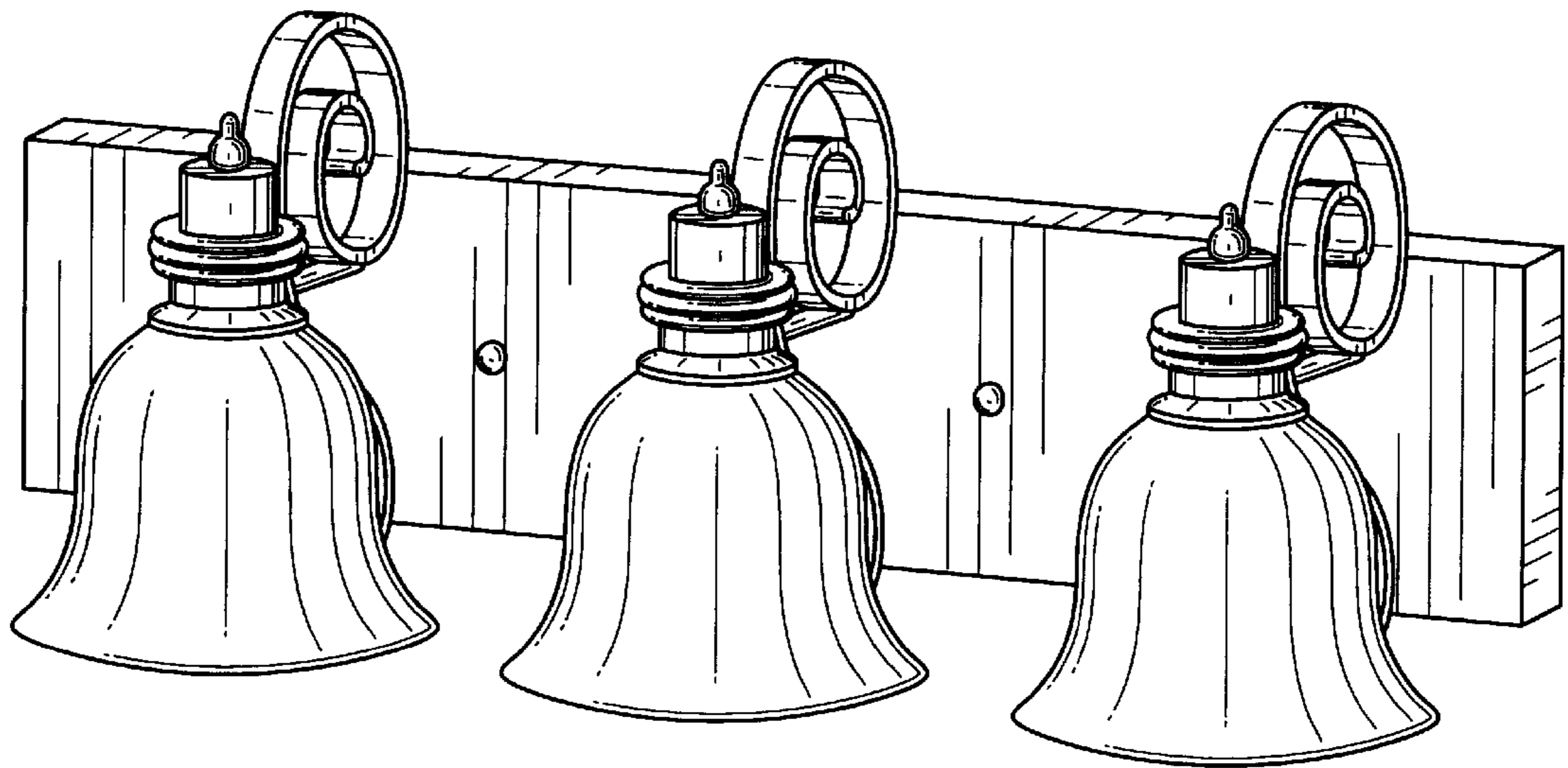


FIG. 1

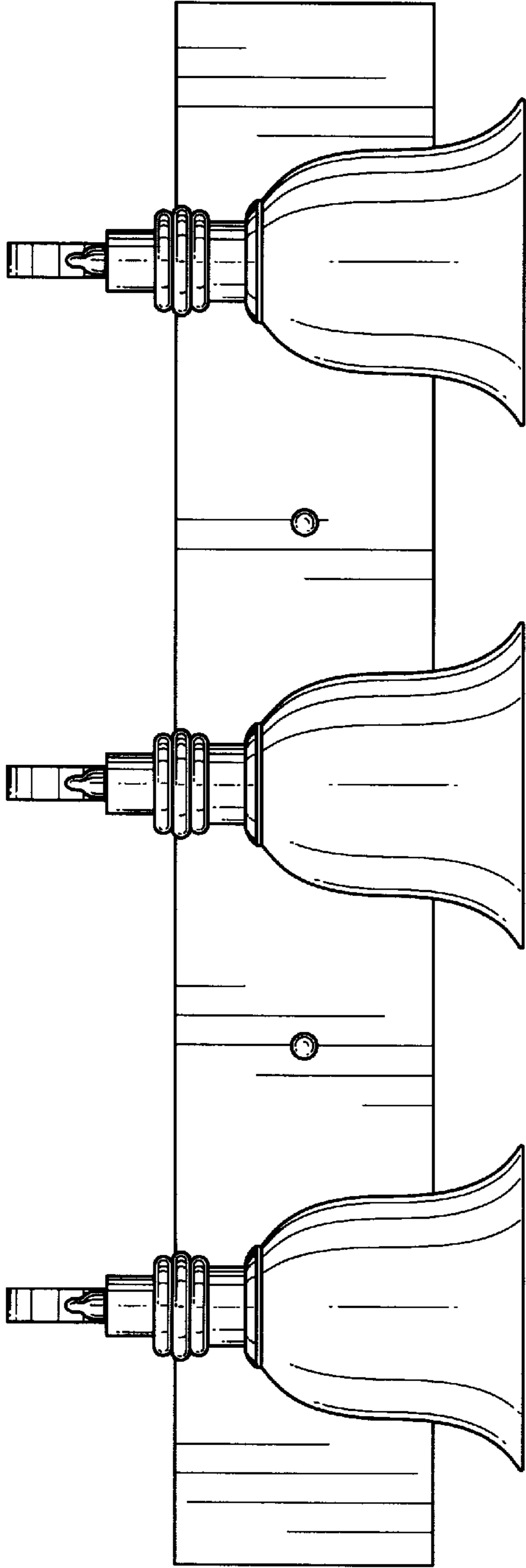


FIG. 2

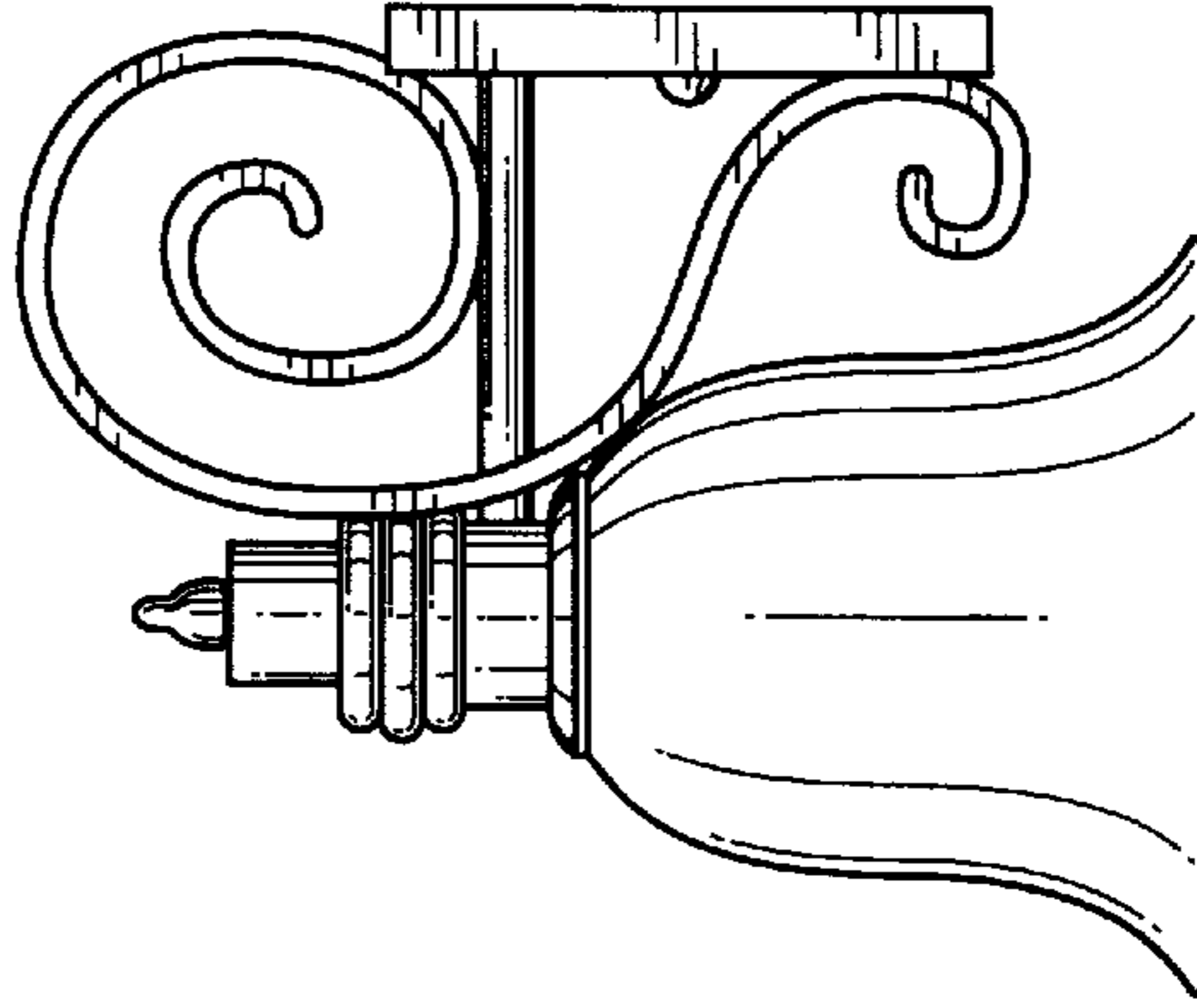


FIG. 3

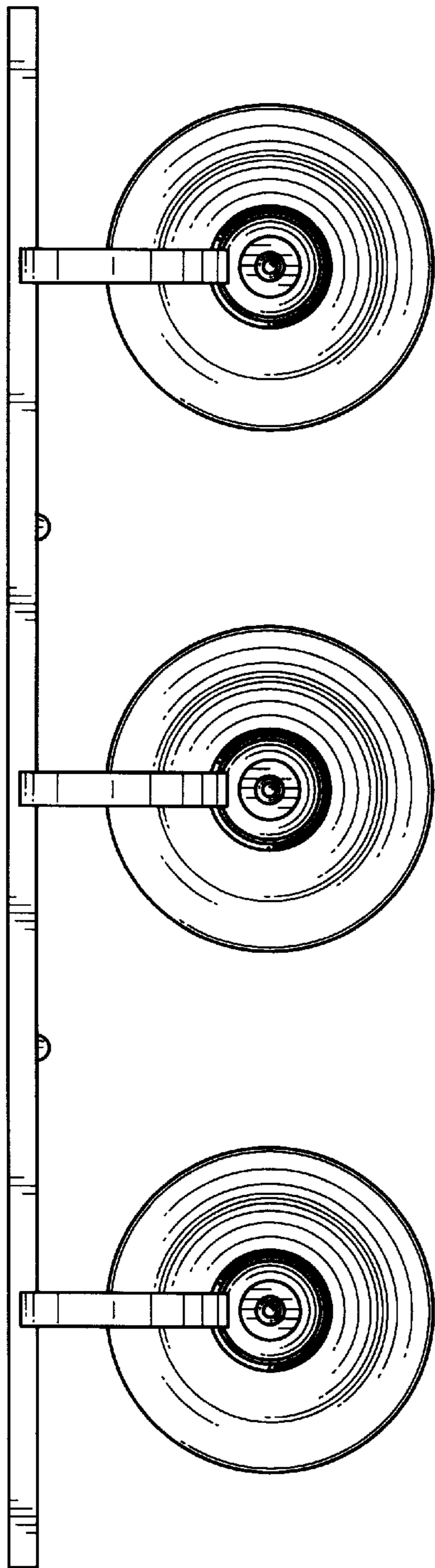


FIG. 4

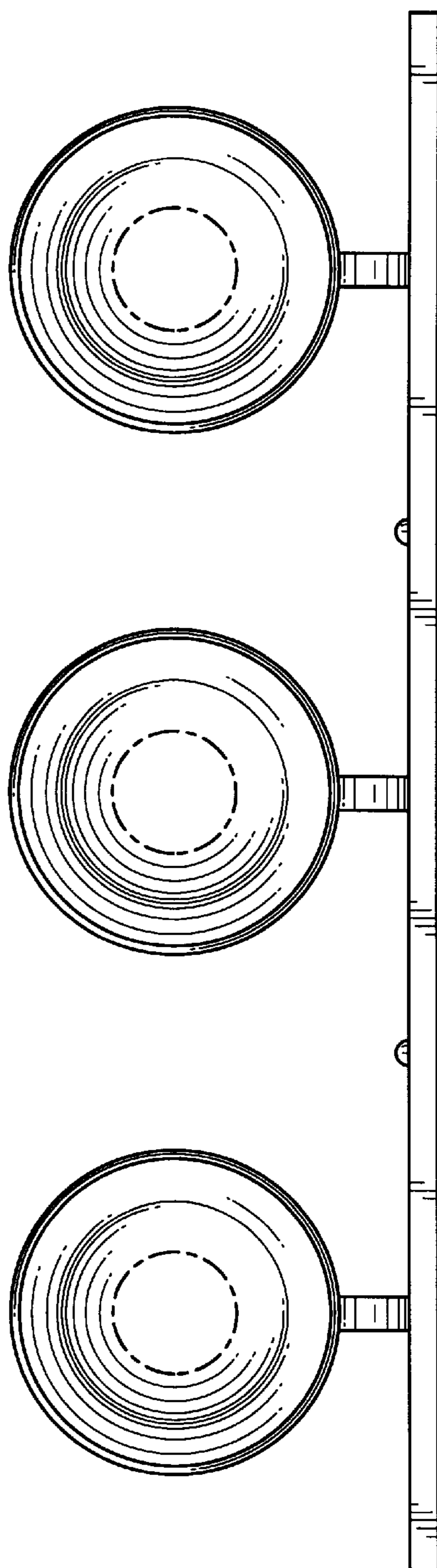


FIG. 5

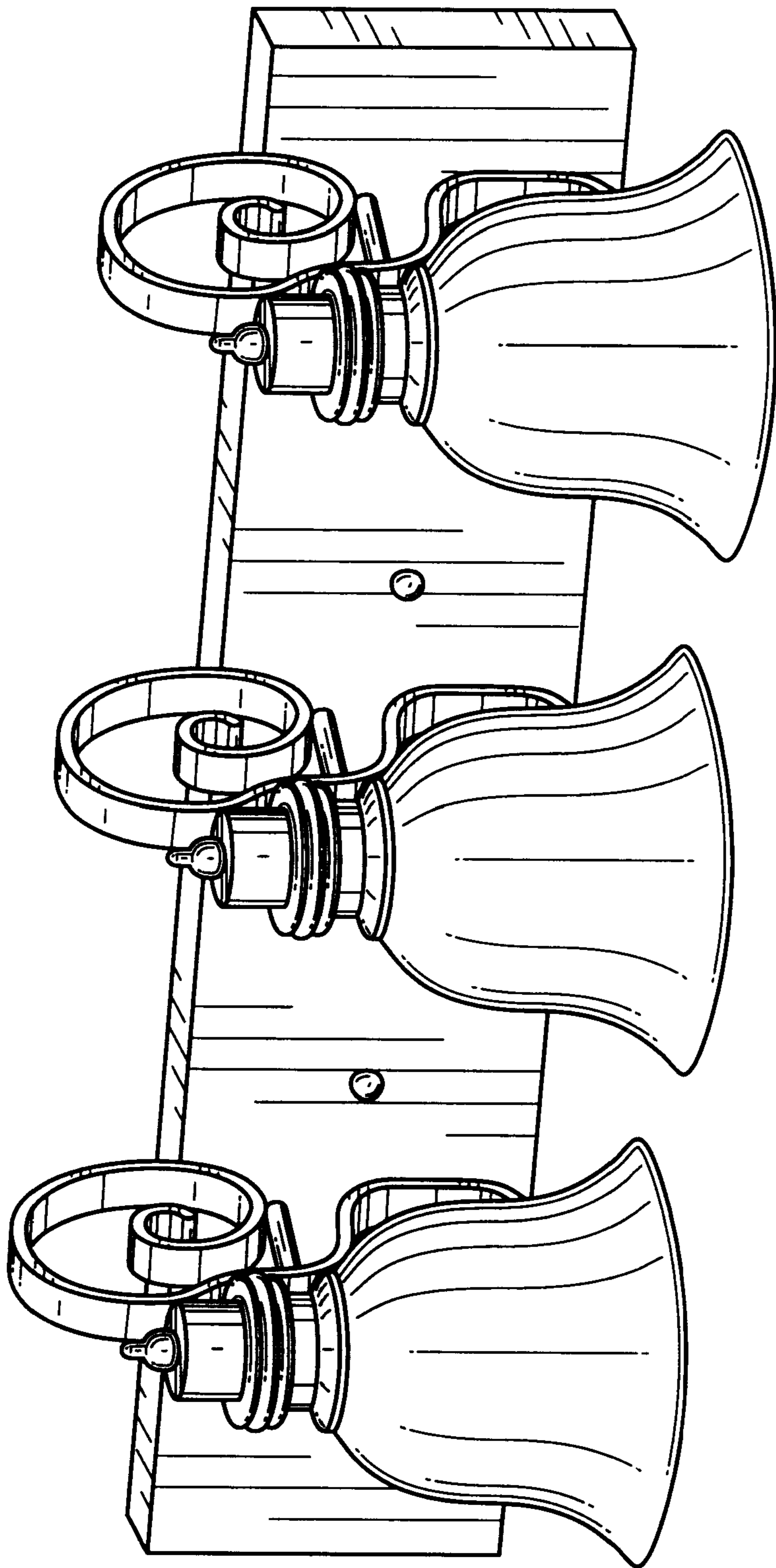


FIG. 6

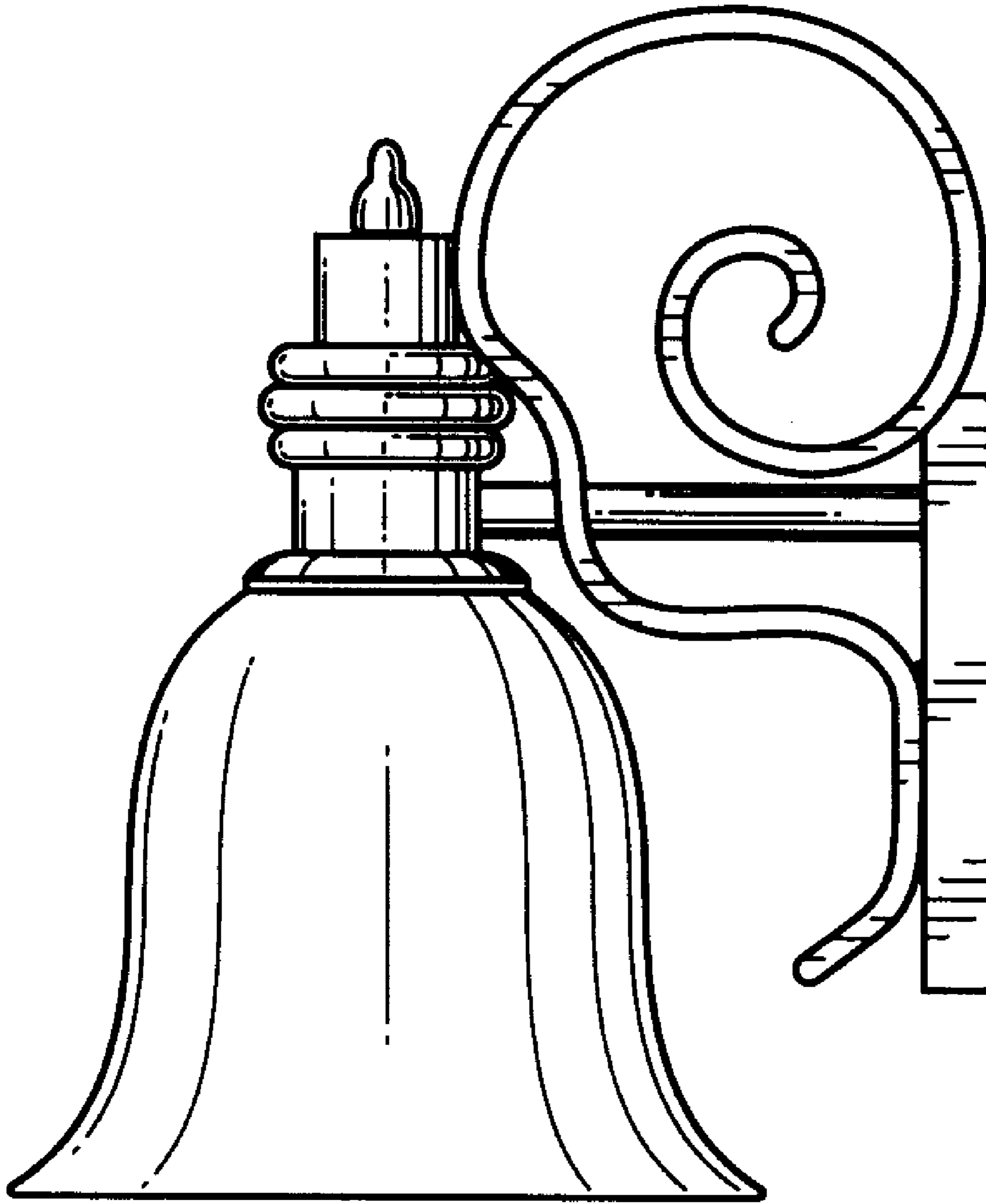


FIG. 7