



US00D443098S

(12) **United States Design Patent**  
**Xu et al.**

(10) **Patent No.:** **US D443,098 S**

(45) **Date of Patent:** **\*\* May 29, 2001**

(54) **LANTERN**

(75) **Inventors:** **Zhiwei Xu; Brian Graves**, both of San Diego; **Joseph Manno**, La Jolla, all of CA (US)

(73) **Assignee:** **Beme International LLC**, San Diego, CA (US)

(\*\*) **Term:** **14 Years**

(21) **Appl. No.:** **29/112,318**

(22) **Filed:** **Oct. 14, 1999**

(51) **LOC (7) Cl.** ..... **26-03**

(52) **U.S. Cl.** ..... **D26/87**

(58) **Field of Search** ..... D26/72, 80-92, D26/93-112; 362/147, 404-414, 432, 367

(56) **References Cited**

**U.S. PATENT DOCUMENTS**

D. 50,541	*	3/1917	Wellman	.....	D26/67
D. 79,970	*	11/1929	Kiwad et al.	.....	D26/54
D. 100,556	*	7/1936	Gosling	.....	D26/67
D. 208,101	*	7/1967	Koziol	.....	D26/67
D. 316,158	*	4/1991	Choi	.....	D26/87
D. 388,219	*	12/1997	Hsu	.....	D26/87

\* cited by examiner

*Primary Examiner*—Alan P. Douglas

*Assistant Examiner*—Linda Brooks

(74) *Attorney, Agent, or Firm*—Dobrusin Darden Thennisch & Lorenz PC

(57) **CLAIM**

The ornamental design for a lantern, as shown and described.

**DESCRIPTION**

FIG. 1 shows a perspective view of a lantern incorporating the design.

FIG. 2 shows a rear elevational view of the lantern shown in FIG. 1.

FIG. 3 shows a left side elevational view of the lantern shown in FIG. 1, the right side view being the mirror image of the left side elevational view.

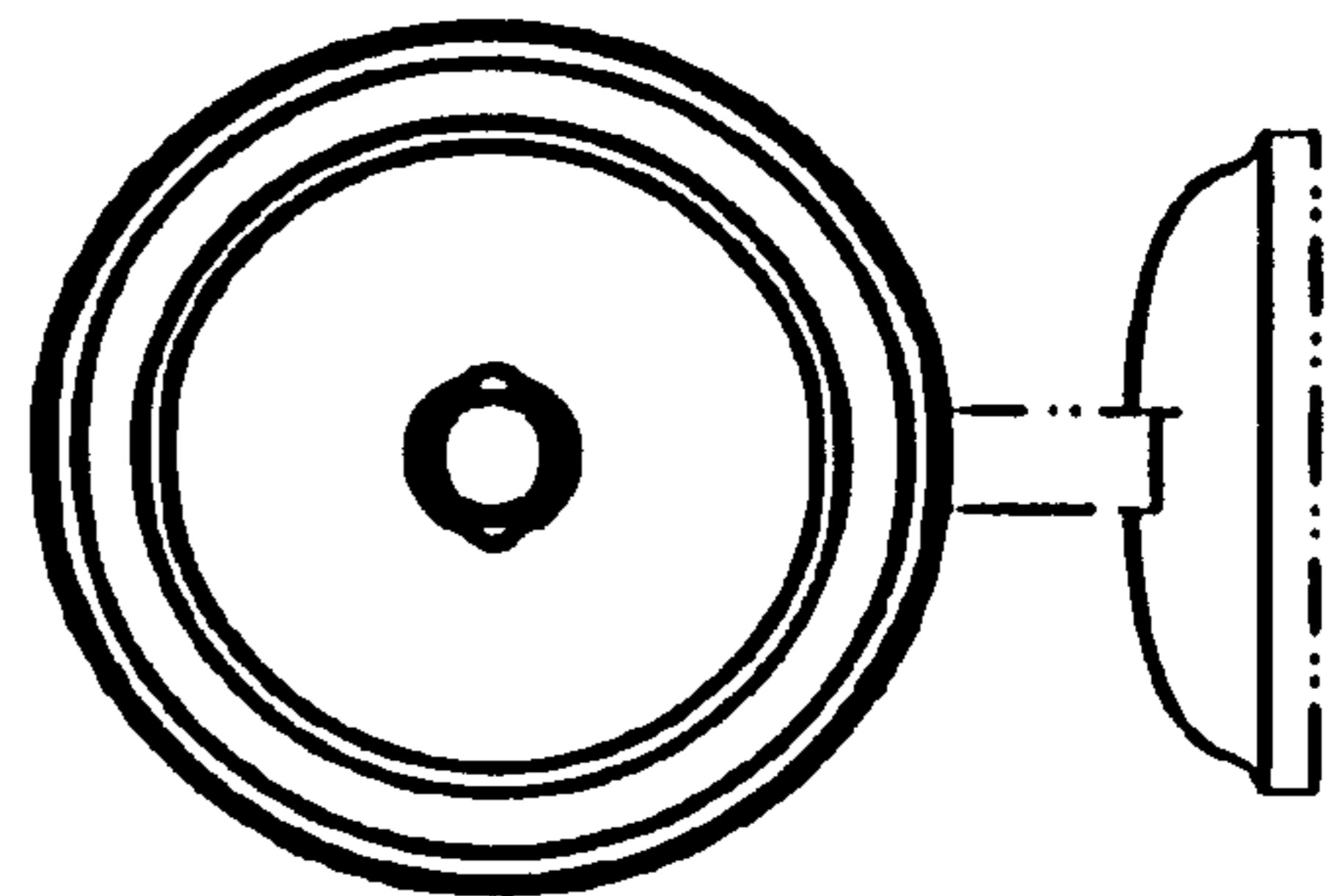
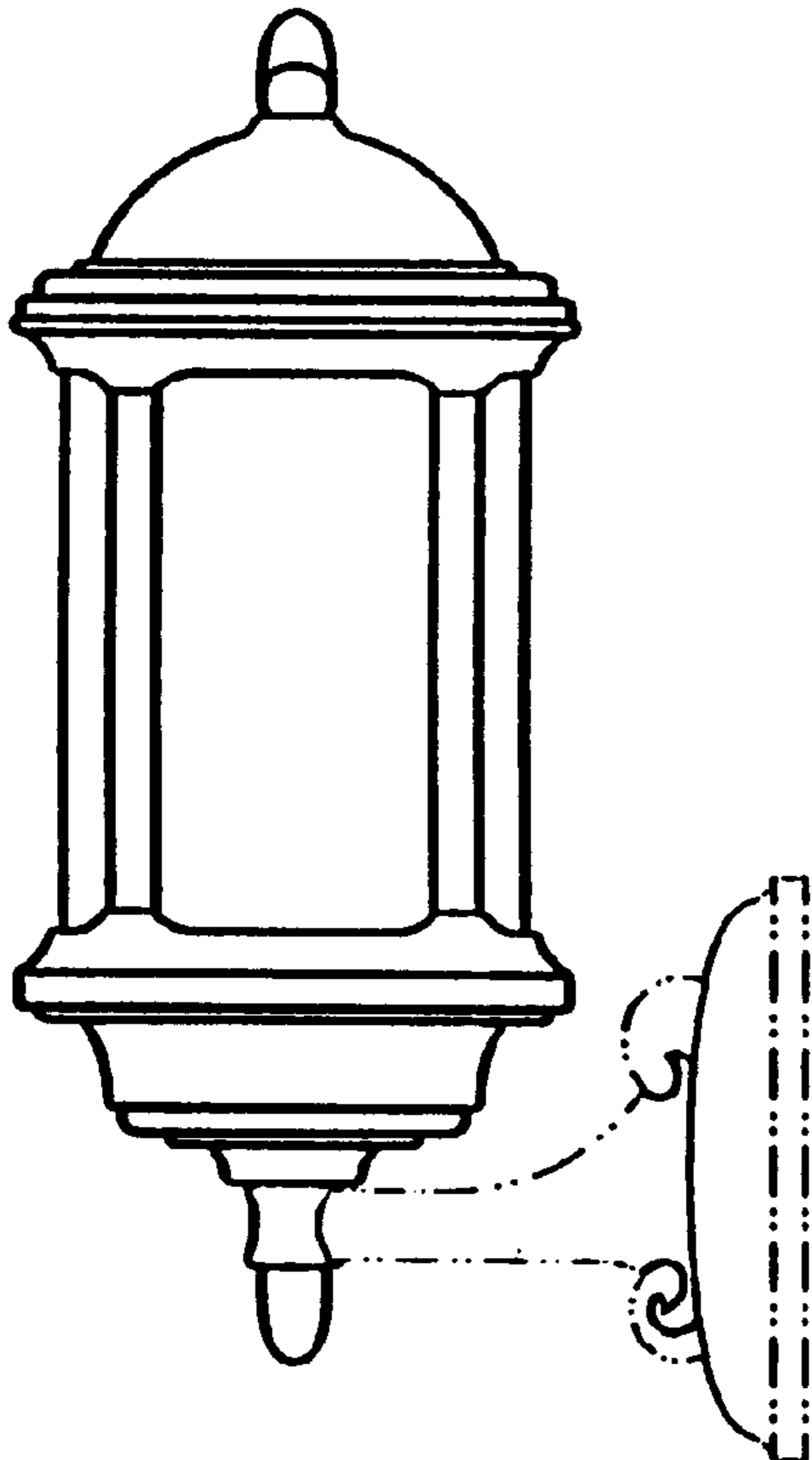
FIG. 4 shows a front elevational view of the lantern shown in FIG. 1.

FIG. 5 shows a bottom plan view of the lantern shown in FIG. 1; and,

FIG. 6 shows a top plan view of the lantern shown in FIG. 1.

The broken lines shown are for illustrative purposes only and form no part of the claimed design.

**1 Claim, 1 Drawing Sheet**



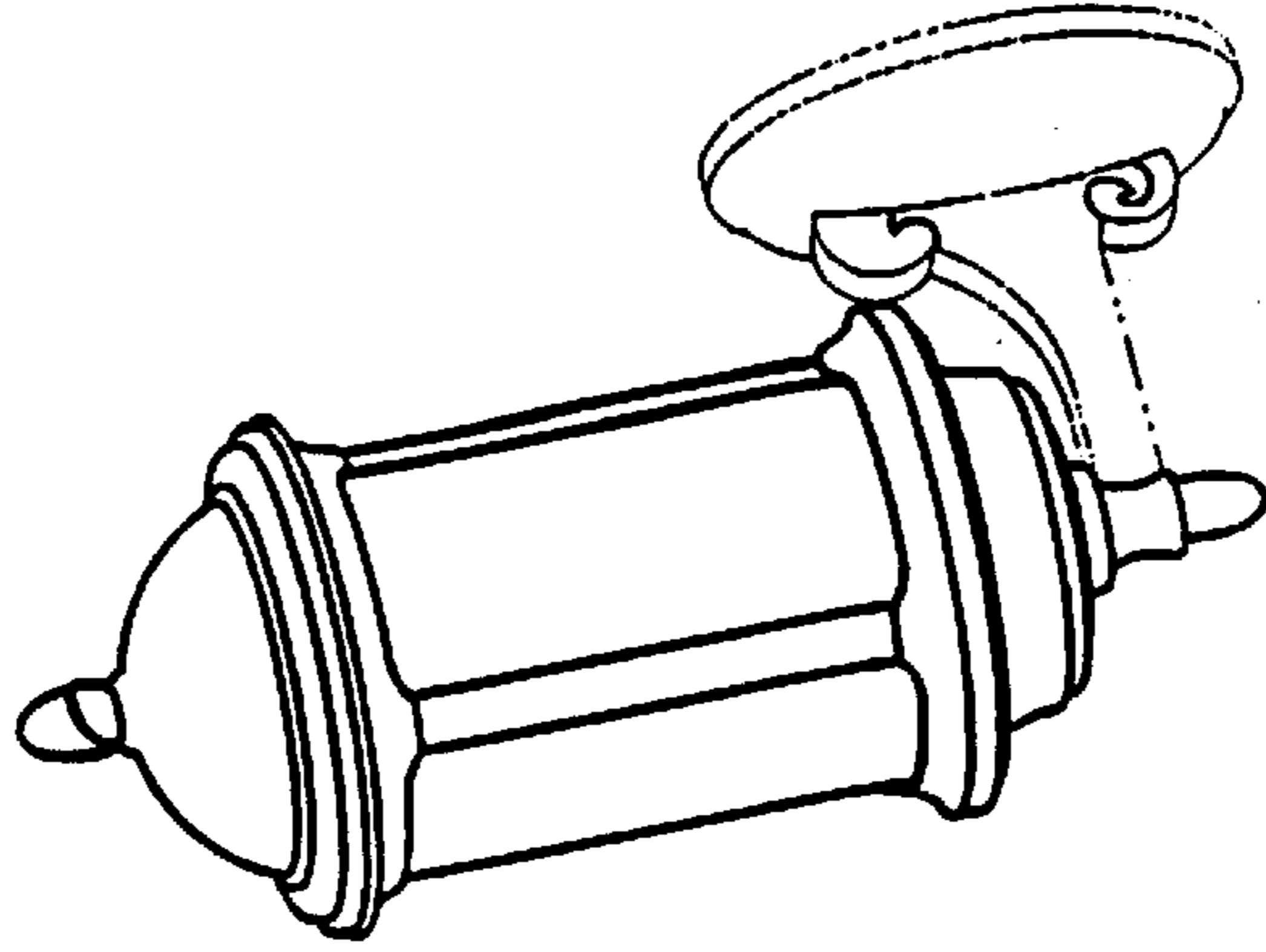


FIG. 1

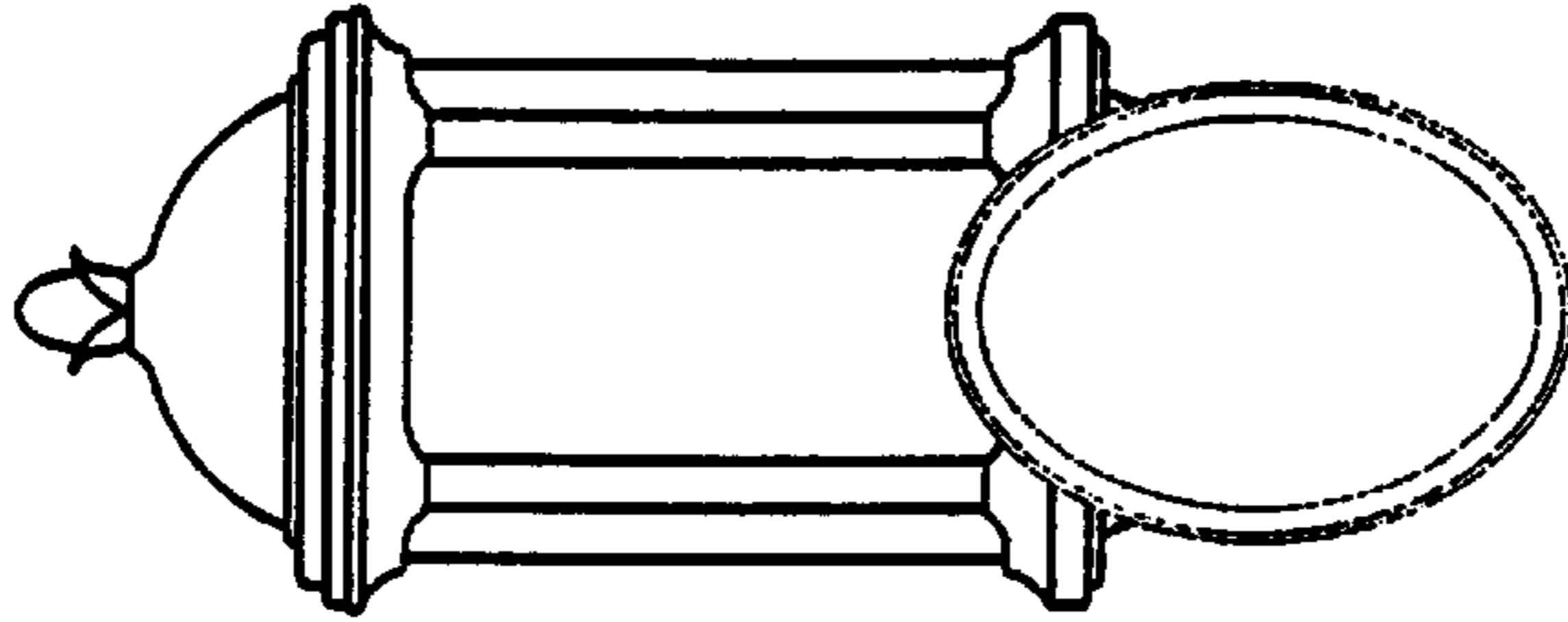


FIG. 2

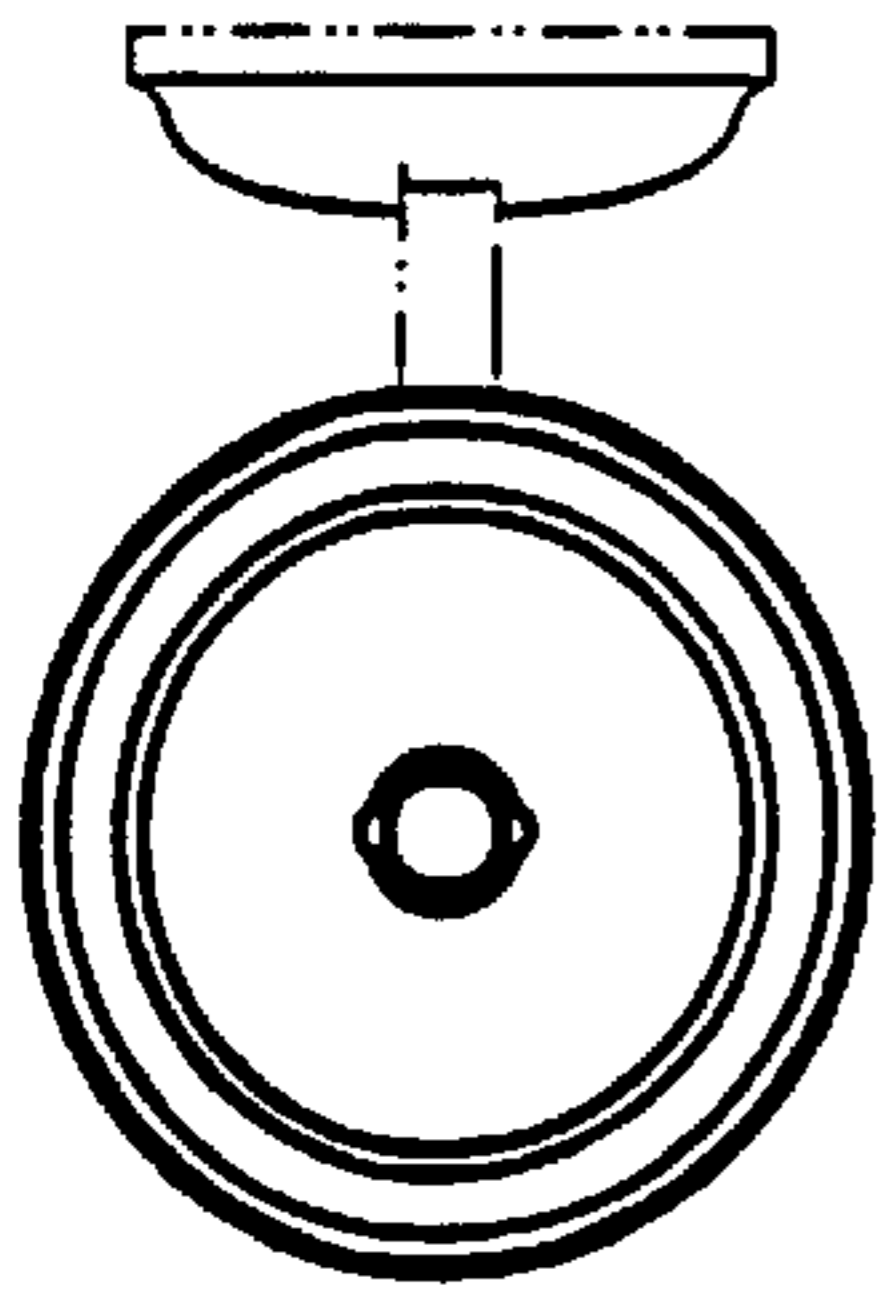


FIG. 6

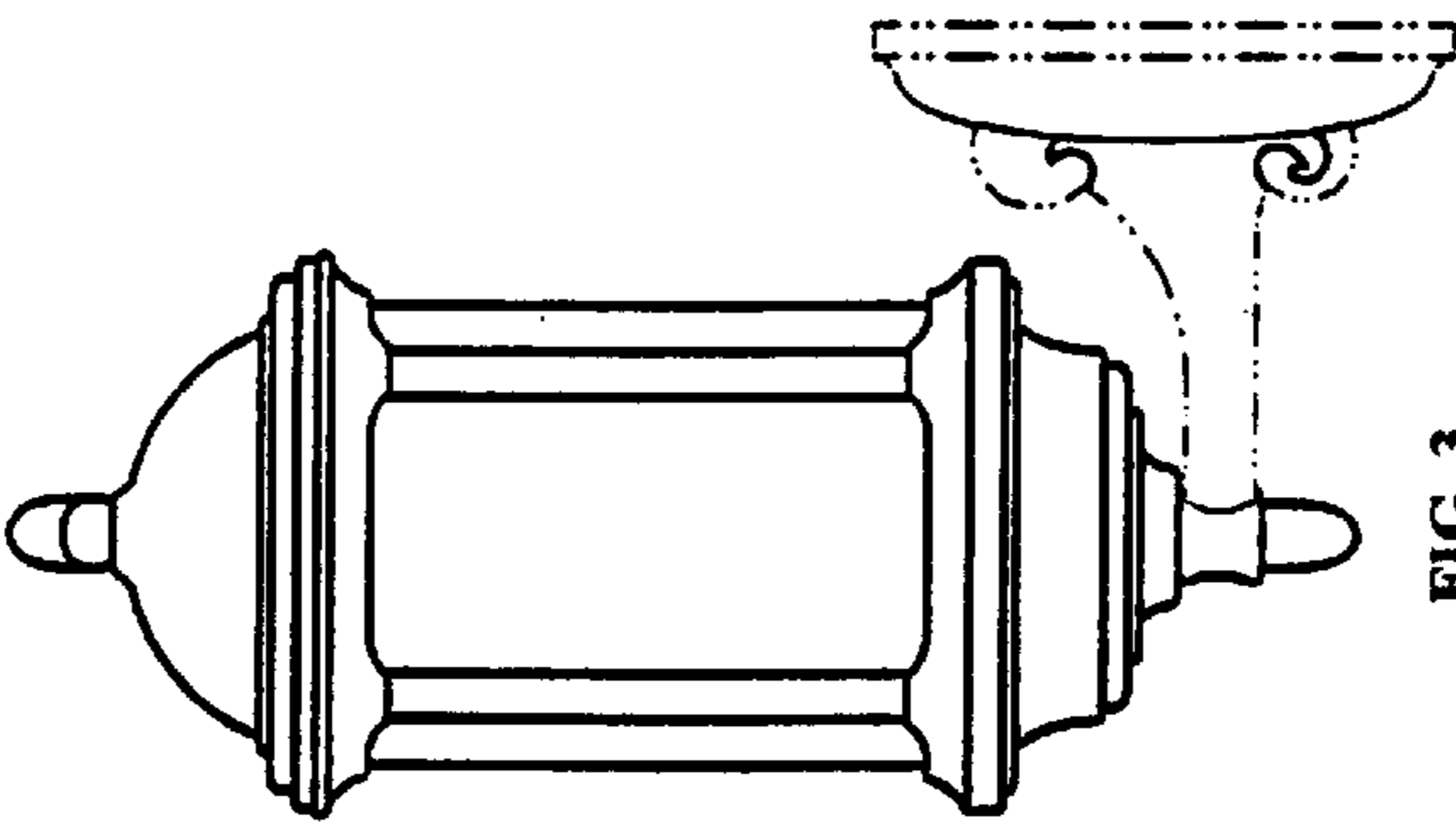


FIG. 3

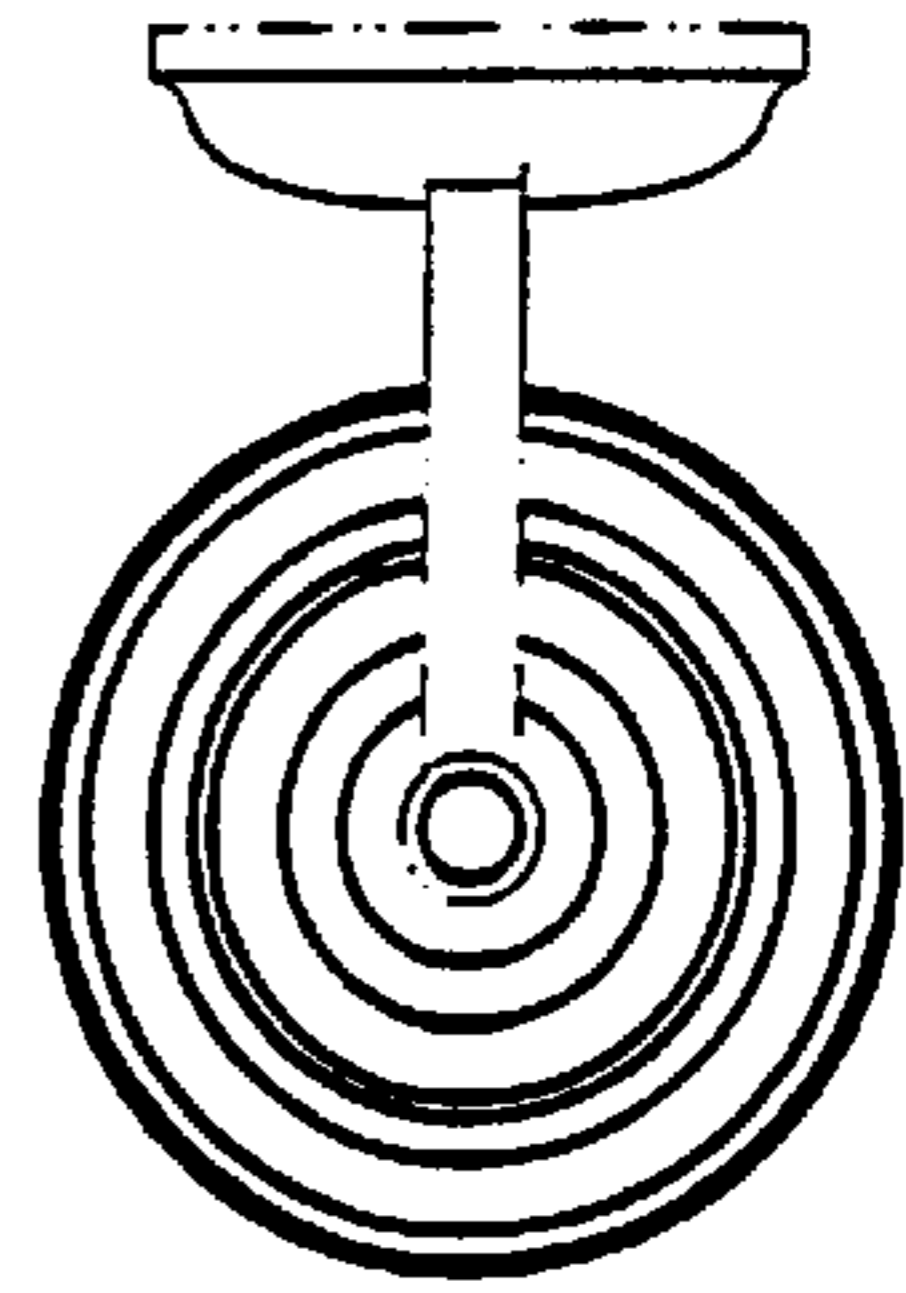


FIG. 5

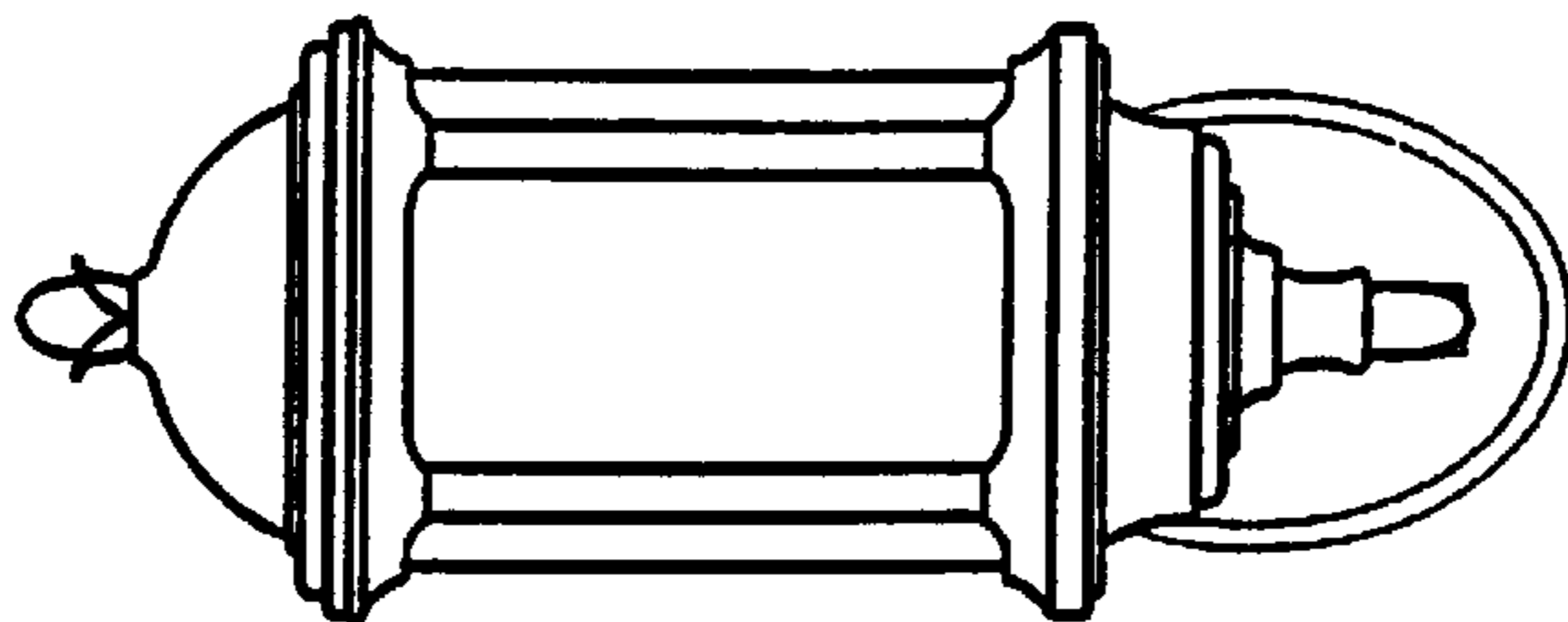


FIG. 4