



US00D443096S

(12) **United States Design Patent**
Echito

(10) **Patent No.:** **US D443,096 S**

(45) **Date of Patent:** **** May 29, 2001**

(54) **LOW PROFILE LIGHT FIXTURE**

(75) **Inventor:** **Cory Echito**, San Diego, CA (US)

(73) **Assignee:** **American Tack & Hardware, Inc.**,
Monsey, NY (US)

(**) **Term:** **14 Years**

(21) **Appl. No.:** **29/127,686**

(22) **Filed:** **Aug. 9, 2000**

(51) **LOC (7) Cl.** **26-05**

(52) **U.S. Cl.** **D26/76**

(58) **Field of Search** D26/72, 75, 76,
D26/77, 78, 80-92; 362/147, 404-408,
432

(56) **References Cited**

U.S. PATENT DOCUMENTS

- D. 386,278 * 11/1997 Engle et al. D26/76
- D. 397,479 * 8/1998 Compton et al. D26/76
- D. 397,485 * 8/1998 Kalthoff D26/76 X

OTHER PUBLICATIONS

Progress Lighting catalog, Jul. 1994, p. 135, fluorescent lamp #P7017-30.*

* cited by examiner

Primary Examiner—Susan J. Lucas

(74) *Attorney, Agent, or Firm*—Brown, Martin, Haller & McClain

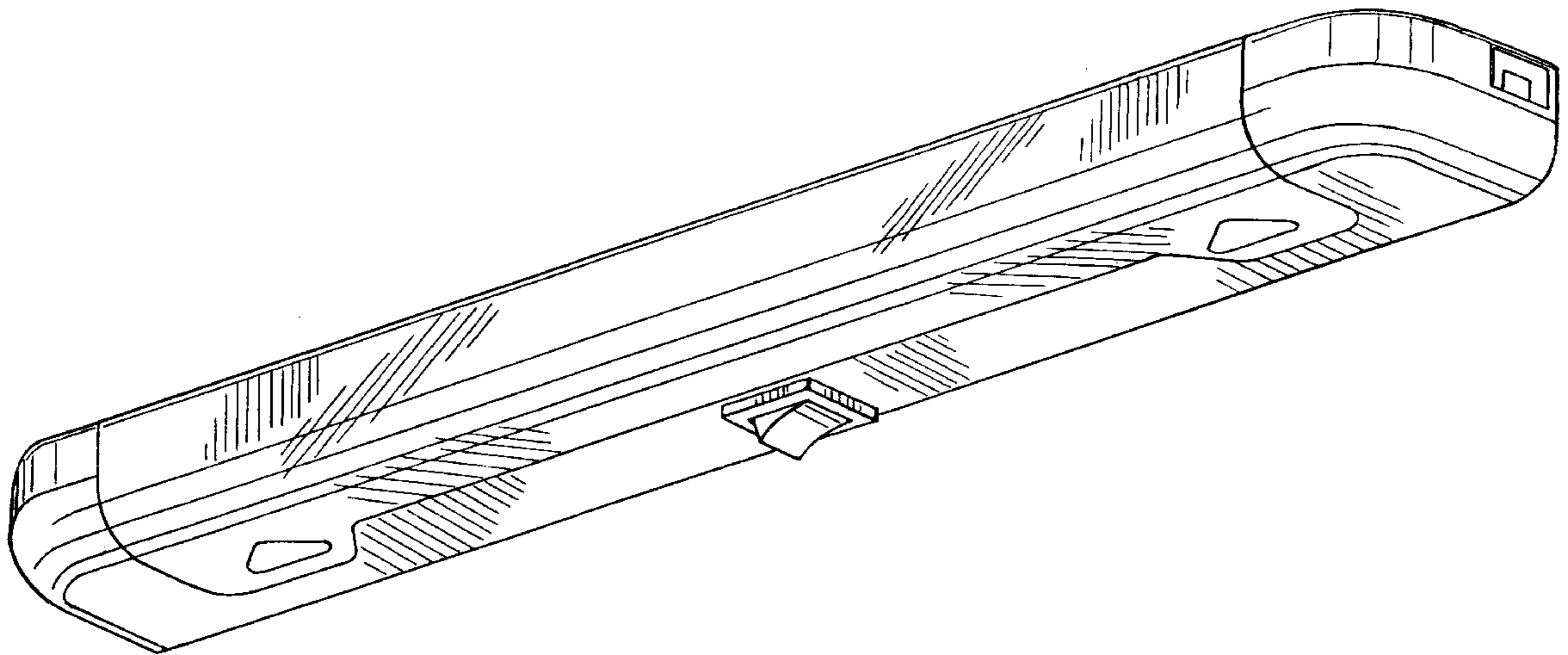
(57) **CLAIM**

The ornamental design for a low profile light fixture, as shown.

DESCRIPTION

FIG. 1 is a perspective view from below of a low profile light fixture, showing my new design;
 FIG. 2 is an end elevational view thereof;
 FIG. 3 is a front view thereof;
 FIG. 4 is a bottom plan view thereof;
 FIG. 5 is a rear view thereof; and,
 FIG. 6 is a top plan view thereof.

1 Claim, 2 Drawing Sheets



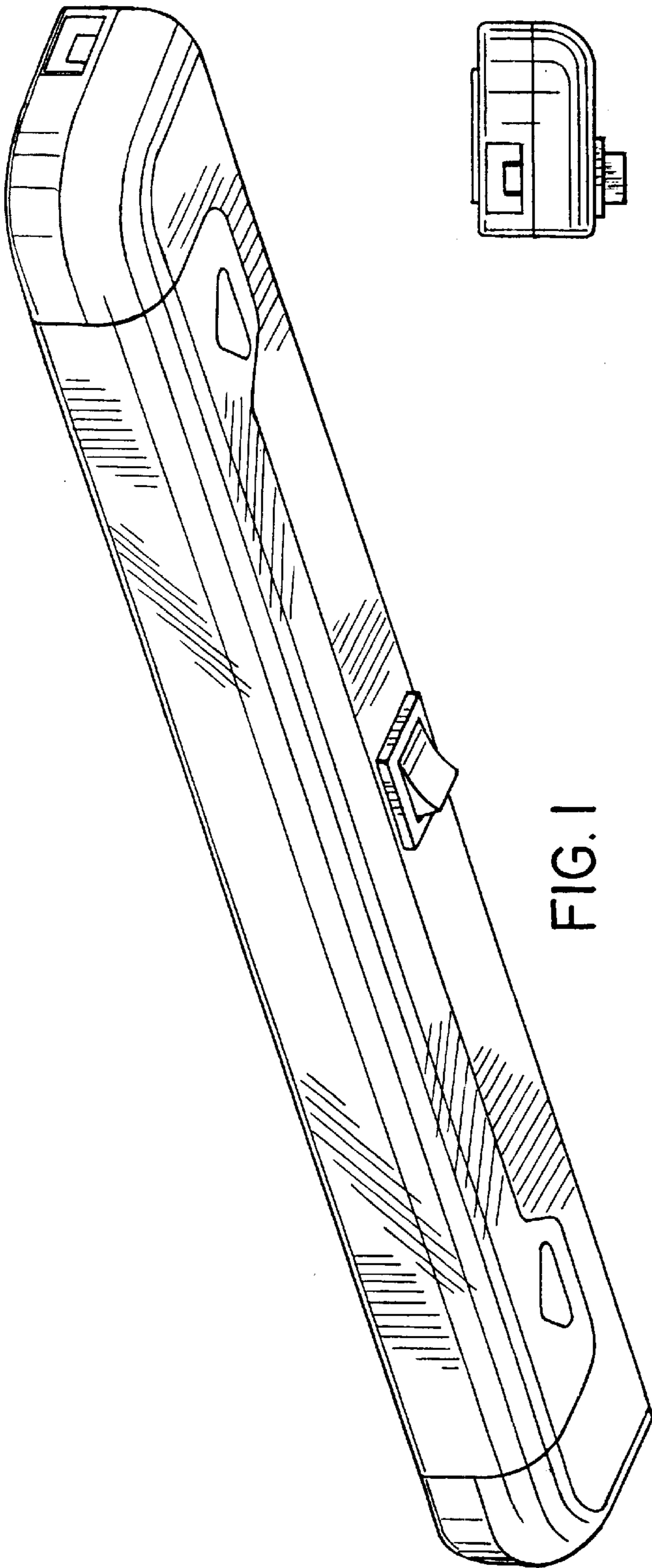


FIG. 1

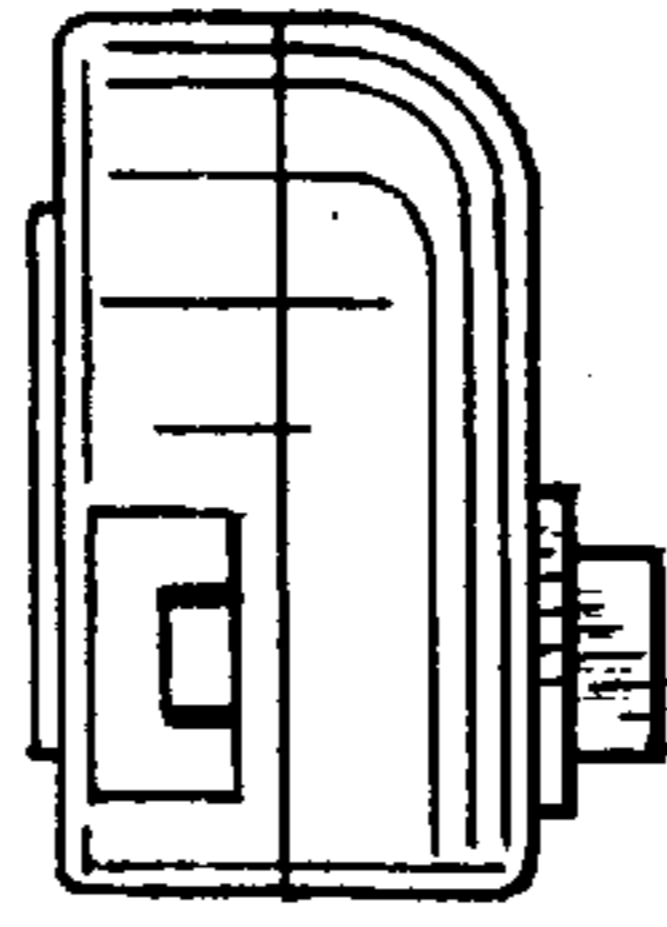


FIG. 2

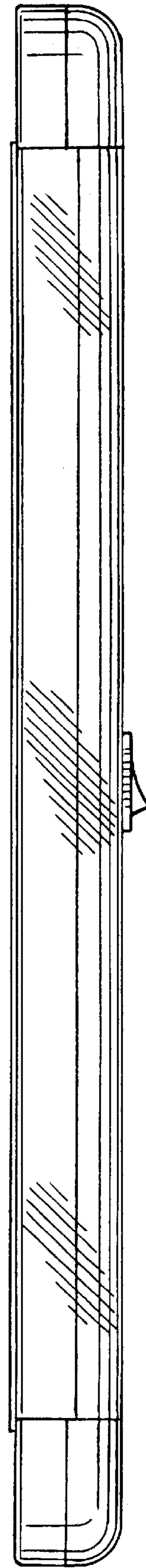


FIG. 3

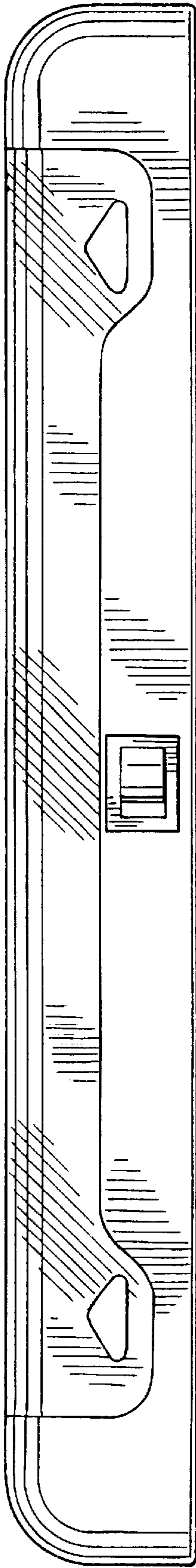


FIG. 4

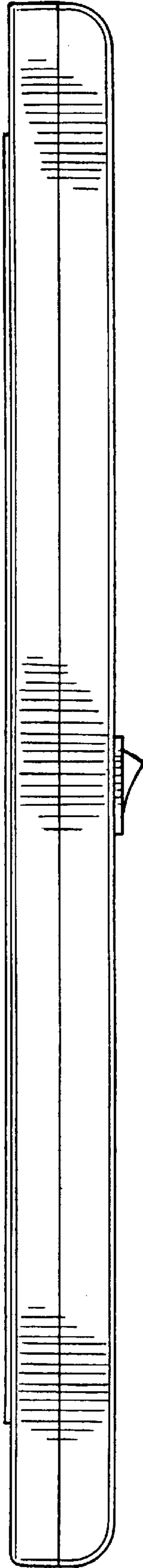


FIG. 5

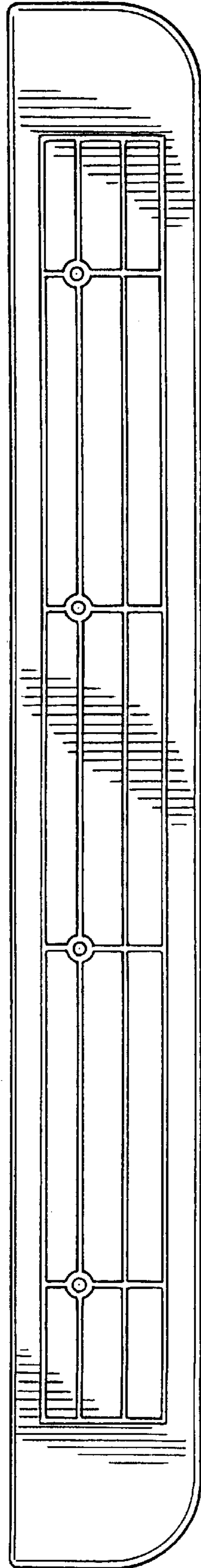


FIG. 6