



US00D443093S

(12) **United States Design Patent**
Chiang

(10) **Patent No.:** **US D443,093 S**

(45) **Date of Patent:** **** May 29, 2001**

(54) **ADJUSTABLE TRACKLIGHT**

(76) Inventor: **Lin Shan Chiang**, No. 2, Lane 111, Ta
Chu Road, Lu Chu Hsiang, Taoyuan
Hsien (TW)

(**) Term: **14 Years**

(21) Appl. No.: **29/129,152**

(22) Filed: **Sep. 8, 2000**

(51) **LOC (7) Cl.** **26-05**

(52) **U.S. Cl.** **D26/65**

(58) **Field of Search** D26/72, 80-96,
D26/142, 152; 362/147, 404-406

(56) **References Cited**

U.S. PATENT DOCUMENTS

D. 319,512 * 8/1991 Lettenmayer D26/63

* cited by examiner

Primary Examiner—Lisa Lichtenstein

(74) *Attorney, Agent, or Firm*—Dougherty & Troxell

(57) **CLAIM**

The ornamental design for an adjustable tracklight, as shown.

DESCRIPTION

FIG. 1 is a front perspective view of an adjustable tracklight showing my new design;

FIG. 2 is a front elevational view thereof;

FIG. 3 is a rear elevational view thereof;

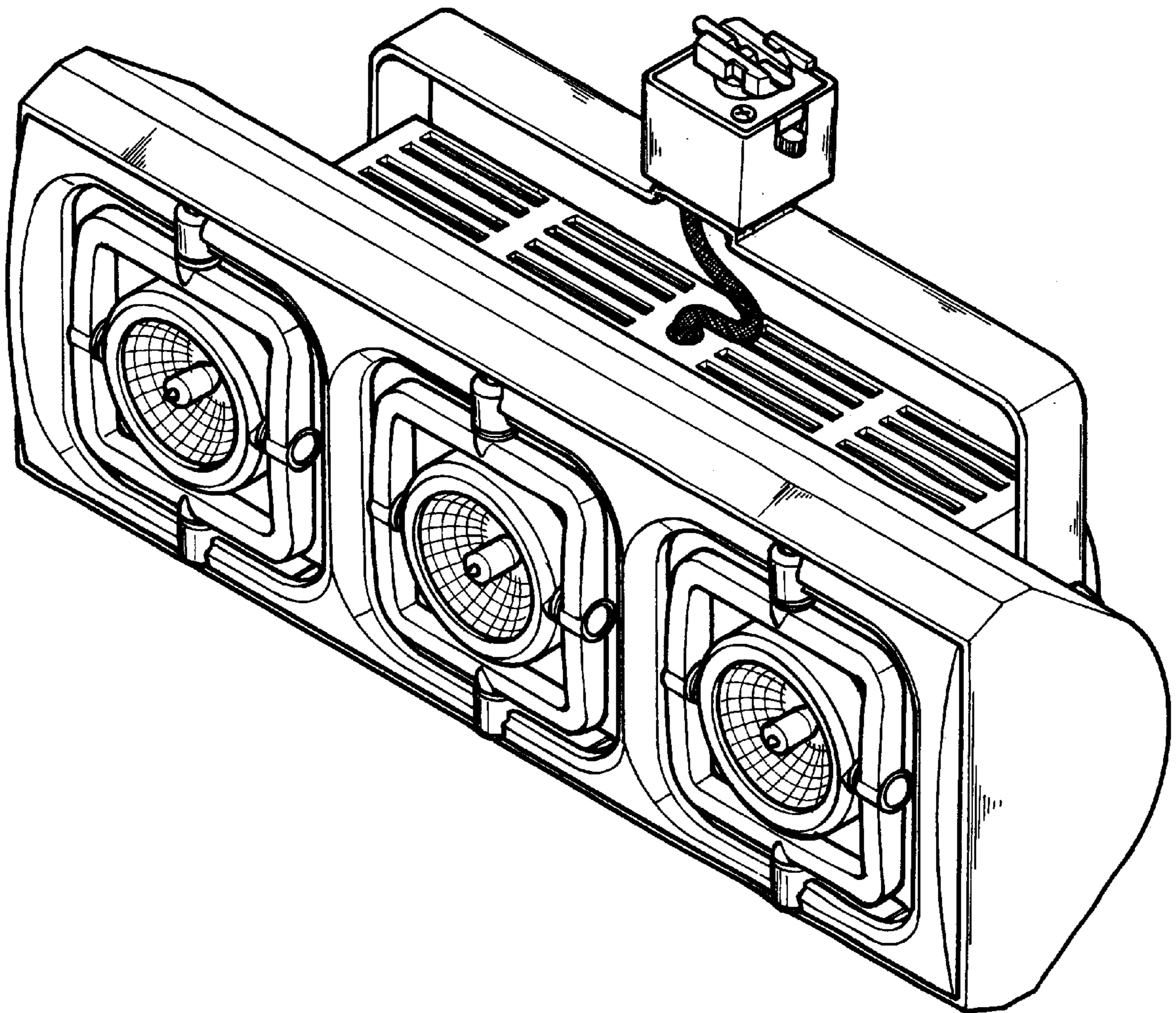
FIG. 4 is a left side elevational view thereof;

FIG. 5 is a right side elevational view thereof;

FIG. 6 is a top plan view thereof; and,

FIG. 7 is a bottom plan view thereof.

1 Claim, 5 Drawing Sheets



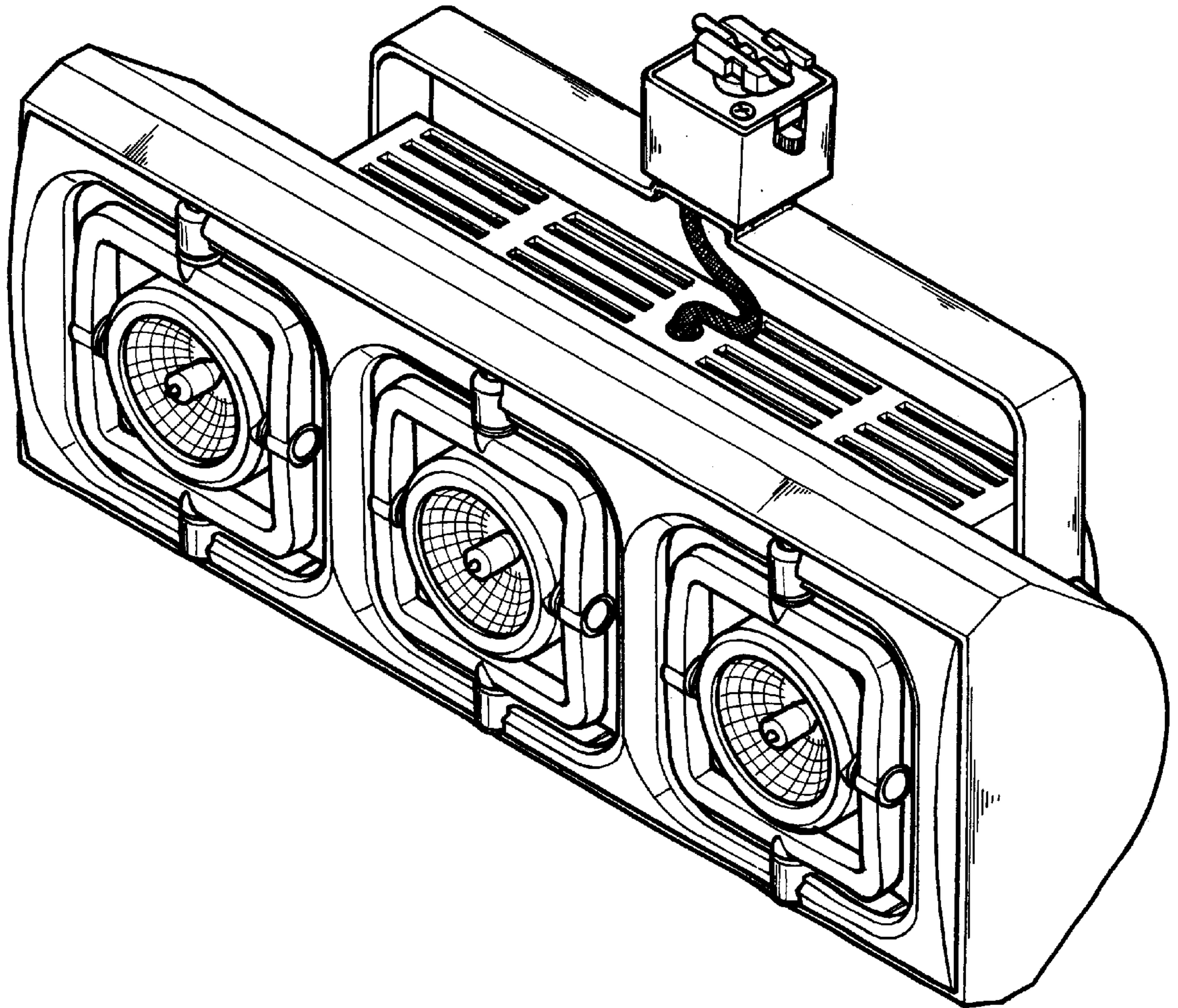


FIG. 1

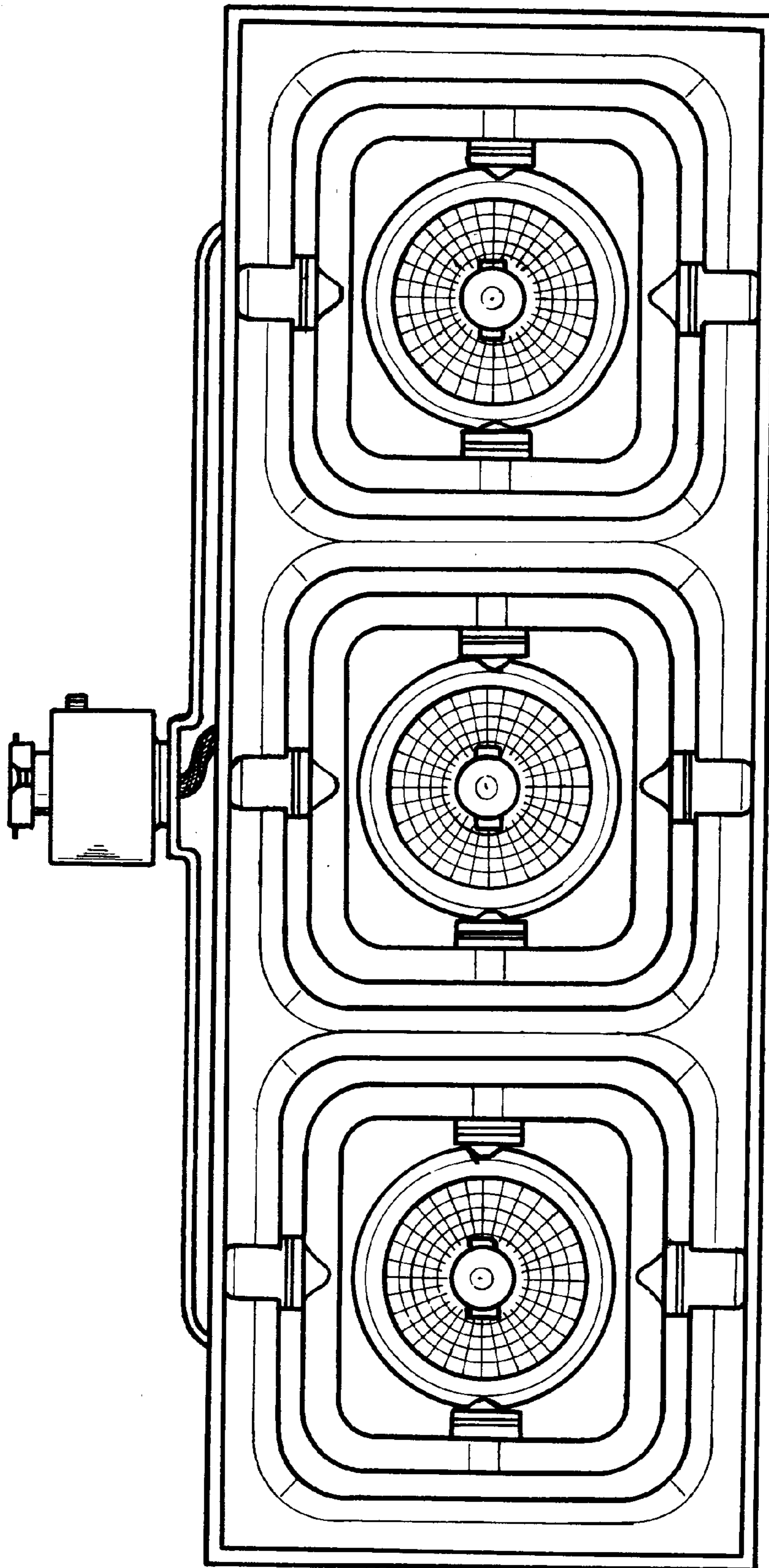


FIG. 2

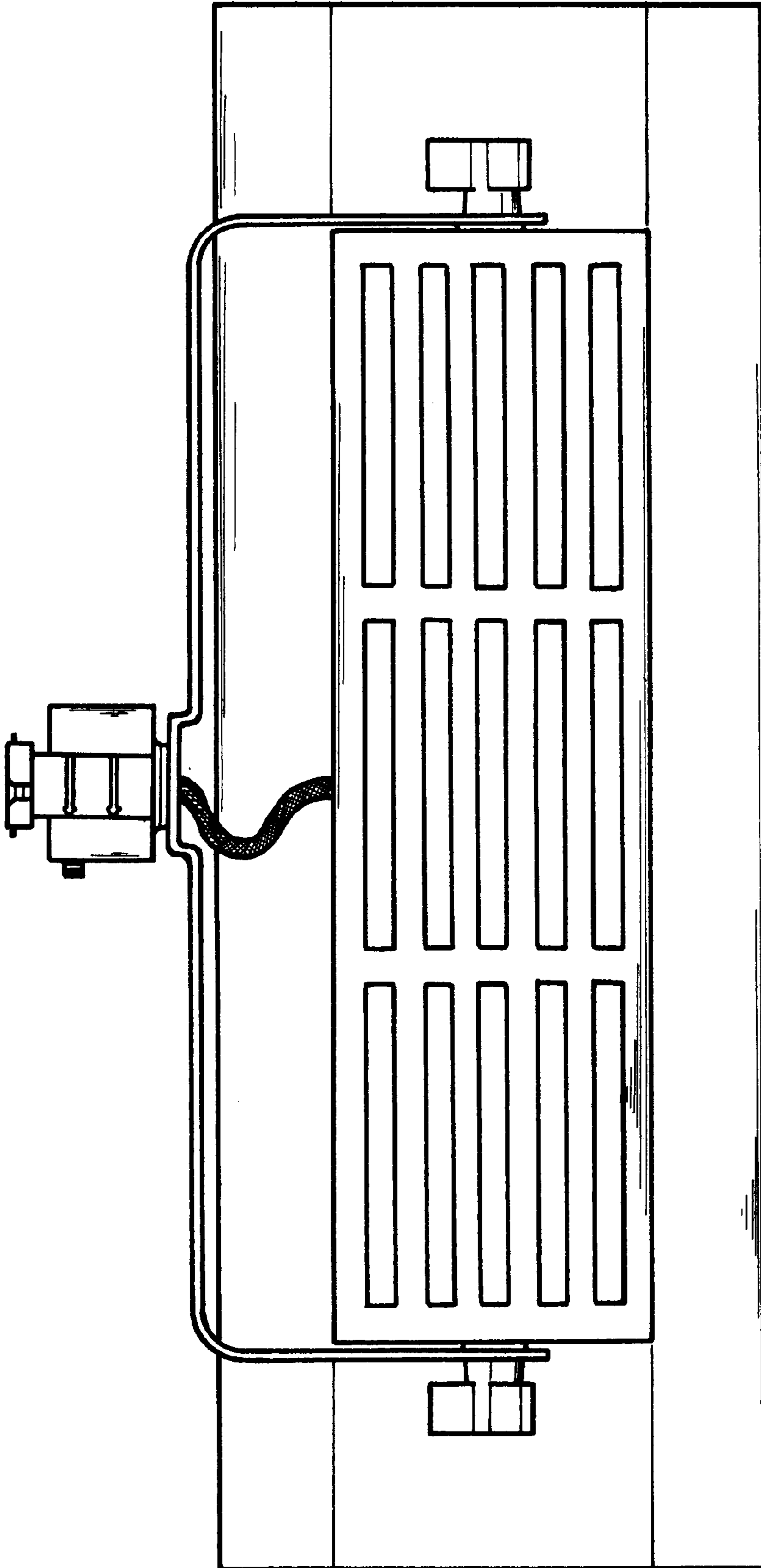


FIG. 3

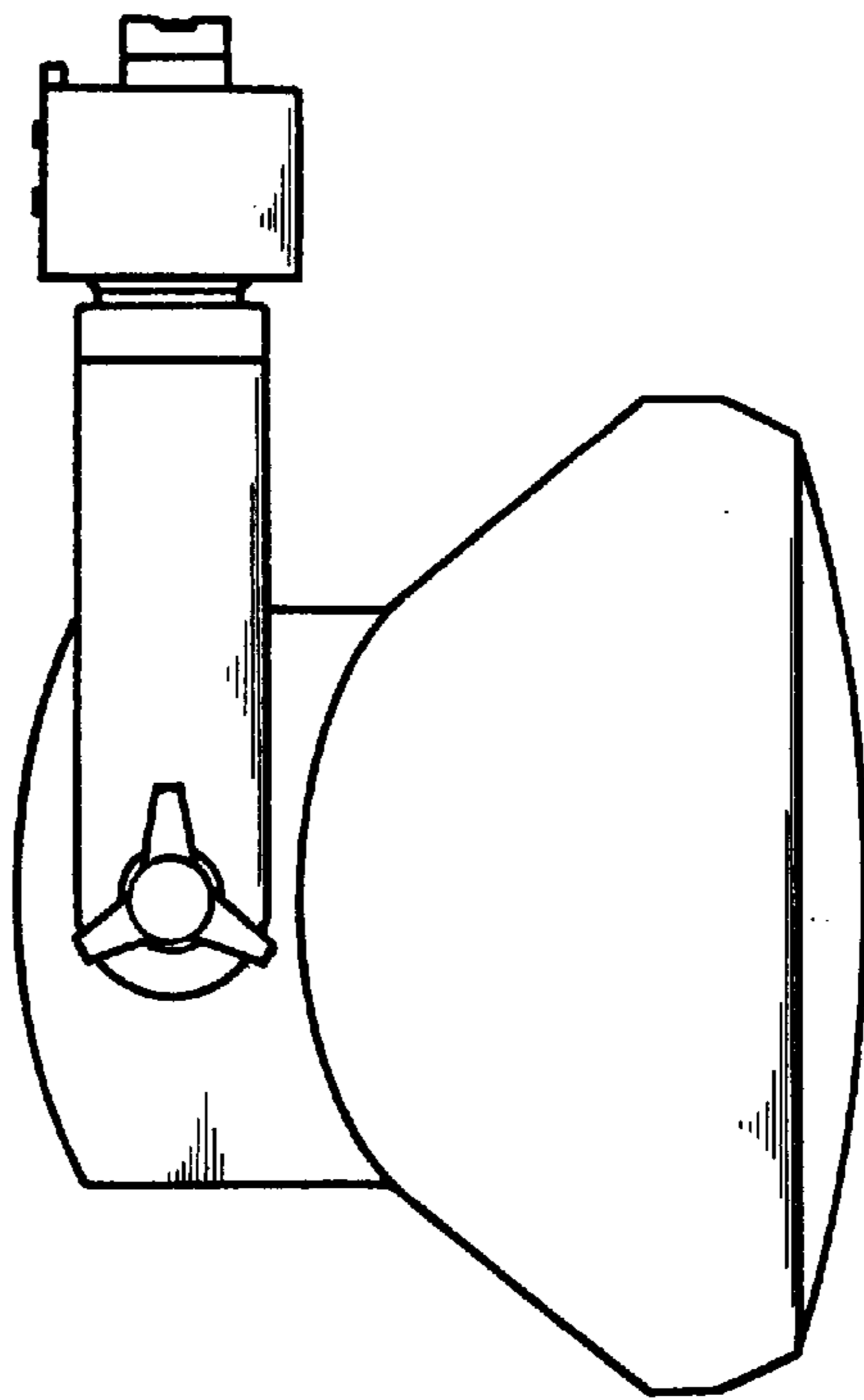


FIG. 4

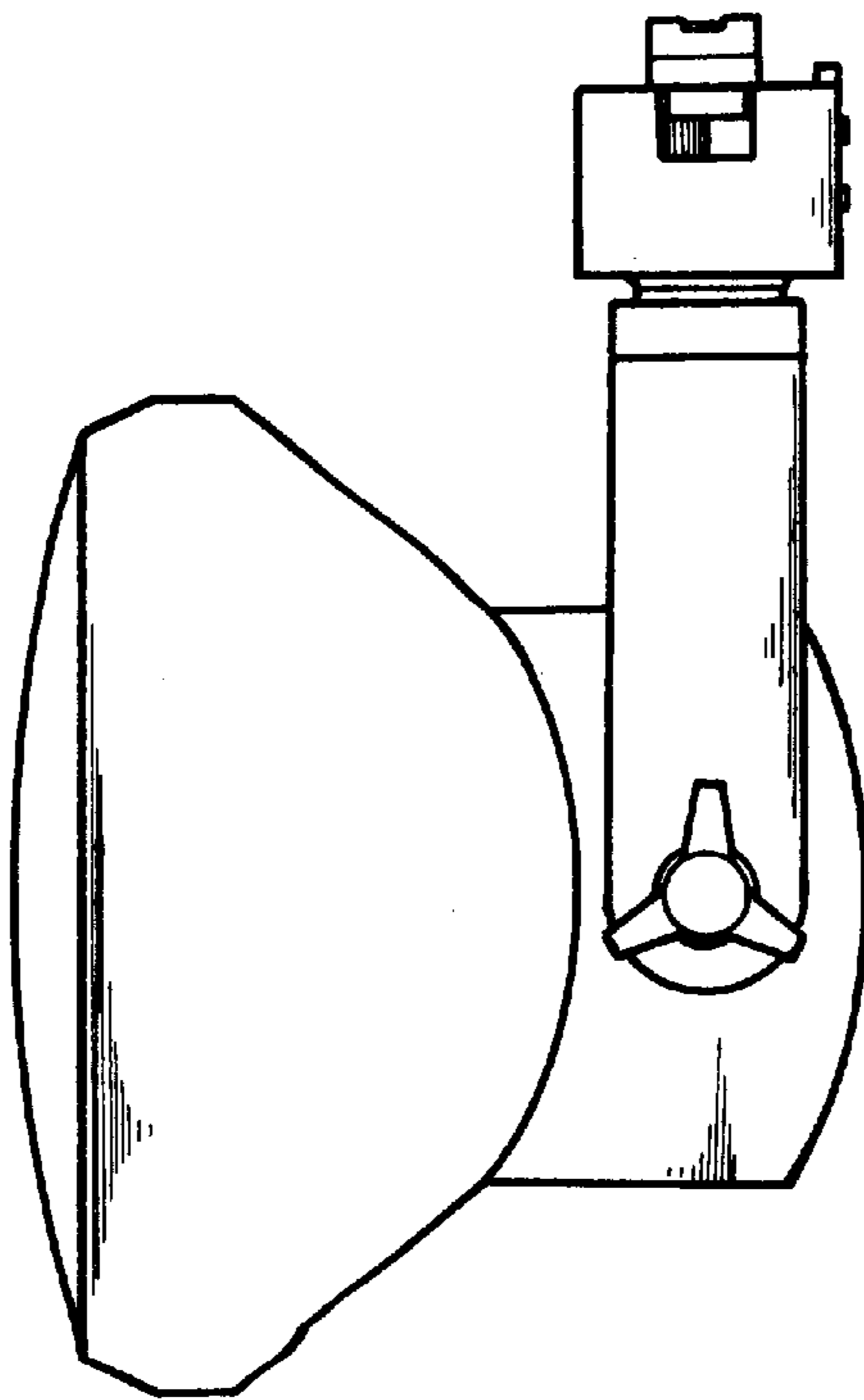


FIG. 5

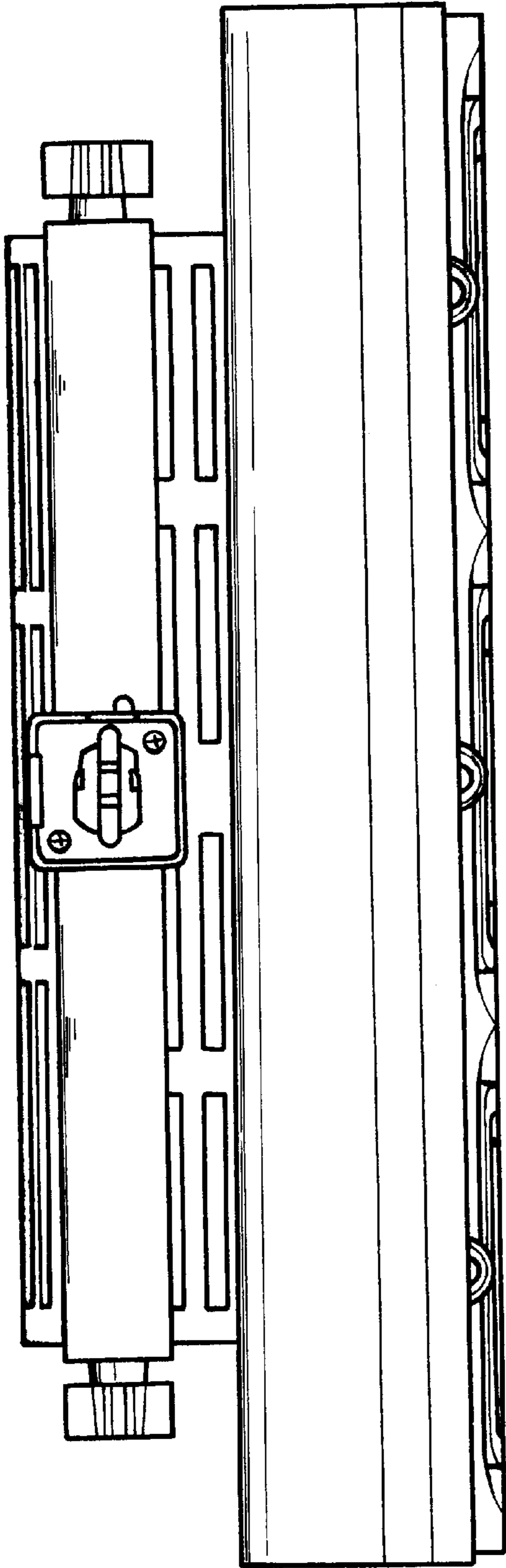


FIG. 6

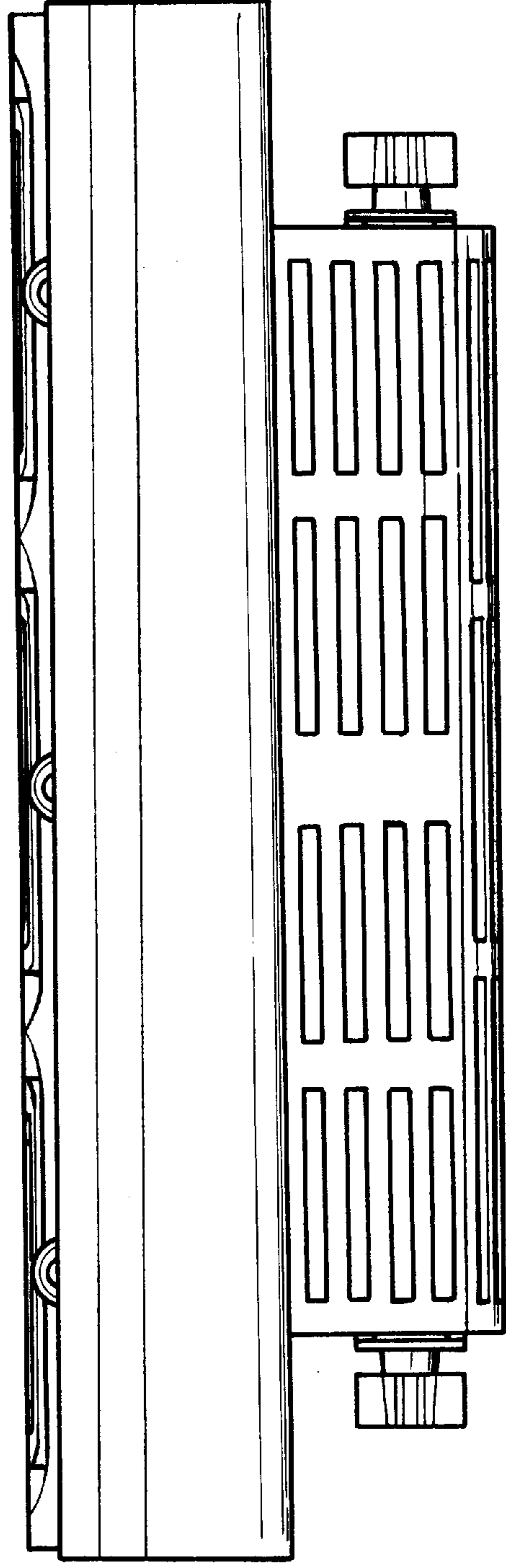


FIG. 7