



US00D443092S

(12) **United States Design Patent** (10) **Patent No.:** **US D443,092 S**
Lo (45) **Date of Patent:** **** May 29, 2001**

(54) **TASK POLE LAMP** 5,615,946 * 4/1997 Yeh 362/430 X
5,765,793 6/1998 Yu .

(75) Inventor: **David Lo**, Taipei (TW)

OTHER PUBLICATIONS

(73) Assignee: **The Holmes Group, Inc.**, Milford, MA (US)

1. Brilliant Lighting catalog, 1984/85, p. 16, clip-on lamp #329 Jan. 16.

(**) Term: **14 Years**

* cited by examiner

(21) Appl. No.: **29/126,072**

Primary Examiner—Susan J. Lucas

(22) Filed: **Jul. 7, 2000**

(74) *Attorney, Agent, or Firm*—Hoffmann & Baron, LLP; Francis E. Marino

(51) **LOC (7) Cl.** **26-05**

(57) **CLAIM**

(52) **U.S. Cl.** **D26/65**

The ornamental design for a task pole lamp, as shown and described.

(58) **Field of Search** D26/60–66; 362/269, 362/275, 277, 278, 281, 283, 285, 427, 428, 430, 413, 414

DESCRIPTION

(56) **References Cited**

FIG. 1 is a top perspective view of a task pole lamp showing my new design;

U.S. PATENT DOCUMENTS

FIG. 2 is an enlarged top perspective view showing the upper portion thereof;

| | | | |
|--------------|---------|-------------------|--------|
| D. 279,130 | 6/1985 | Berger . | |
| D. 312,885 | 12/1990 | Louis . | |
| D. 351,919 | 10/1994 | Rorke . | |
| D. 383,559 | 9/1997 | Chan . | |
| D. 388,210 | 12/1997 | Yang . | |
| D. 391,665 | 3/1998 | Yang . | |
| D. 399,334 | 10/1998 | Lo . | |
| D. 402,773 | 12/1998 | Lo . | |
| D. 410,298 | 5/1999 | Sherman . | |
| D. 412,009 * | 5/2000 | Swanson | D26/65 |
| 3,900,727 | 8/1975 | Hutz . | |
| 4,447,865 | 5/1984 | Van Horn et al. . | |
| 5,586,820 | 12/1996 | Klink . | |

FIG. 3 is a top plan view thereof wherein the lamp shades are oriented downwardly;

FIG. 4 is an enlarged front elevation view of the upper portion thereof wherein the lamp shades are oriented downwardly; and,

FIG. 5 is an enlarged bottom plan view thereof wherein the lamp shades are oriented downwardly.

The subject matter shown in broken lines forms no part of the claimed design.

1 Claim, 5 Drawing Sheets

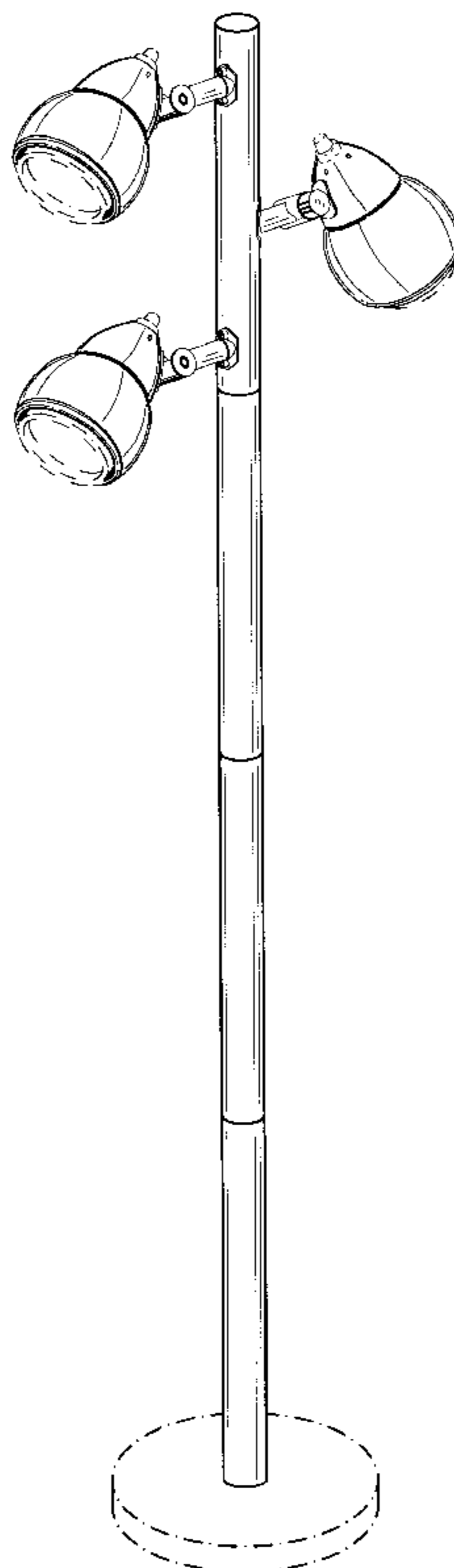


FIG. 1

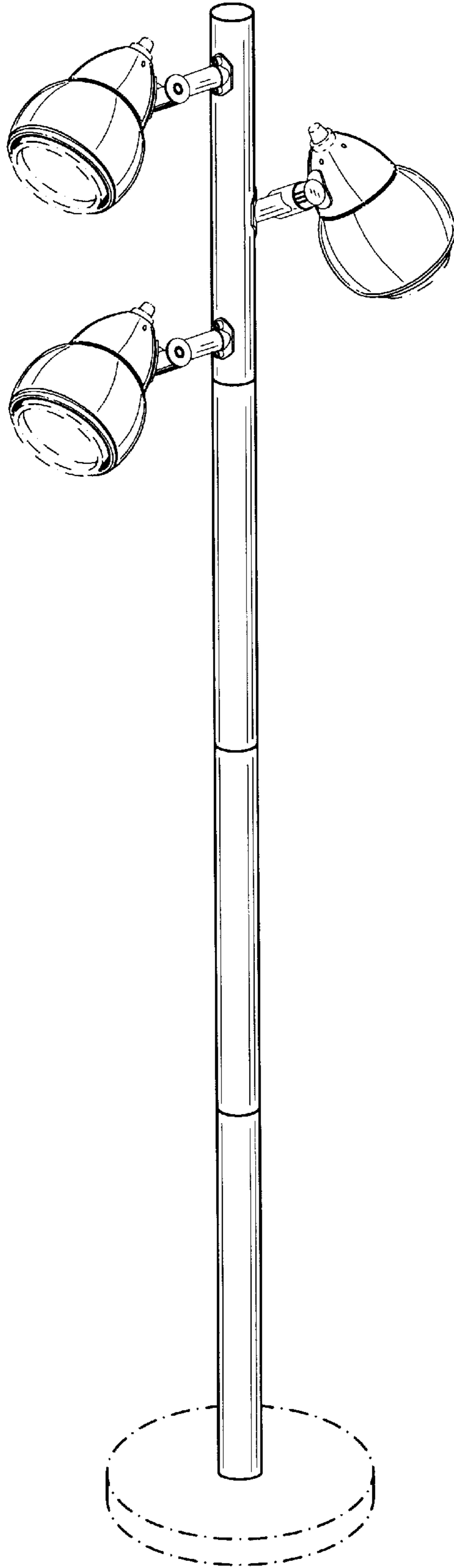


FIG. 2

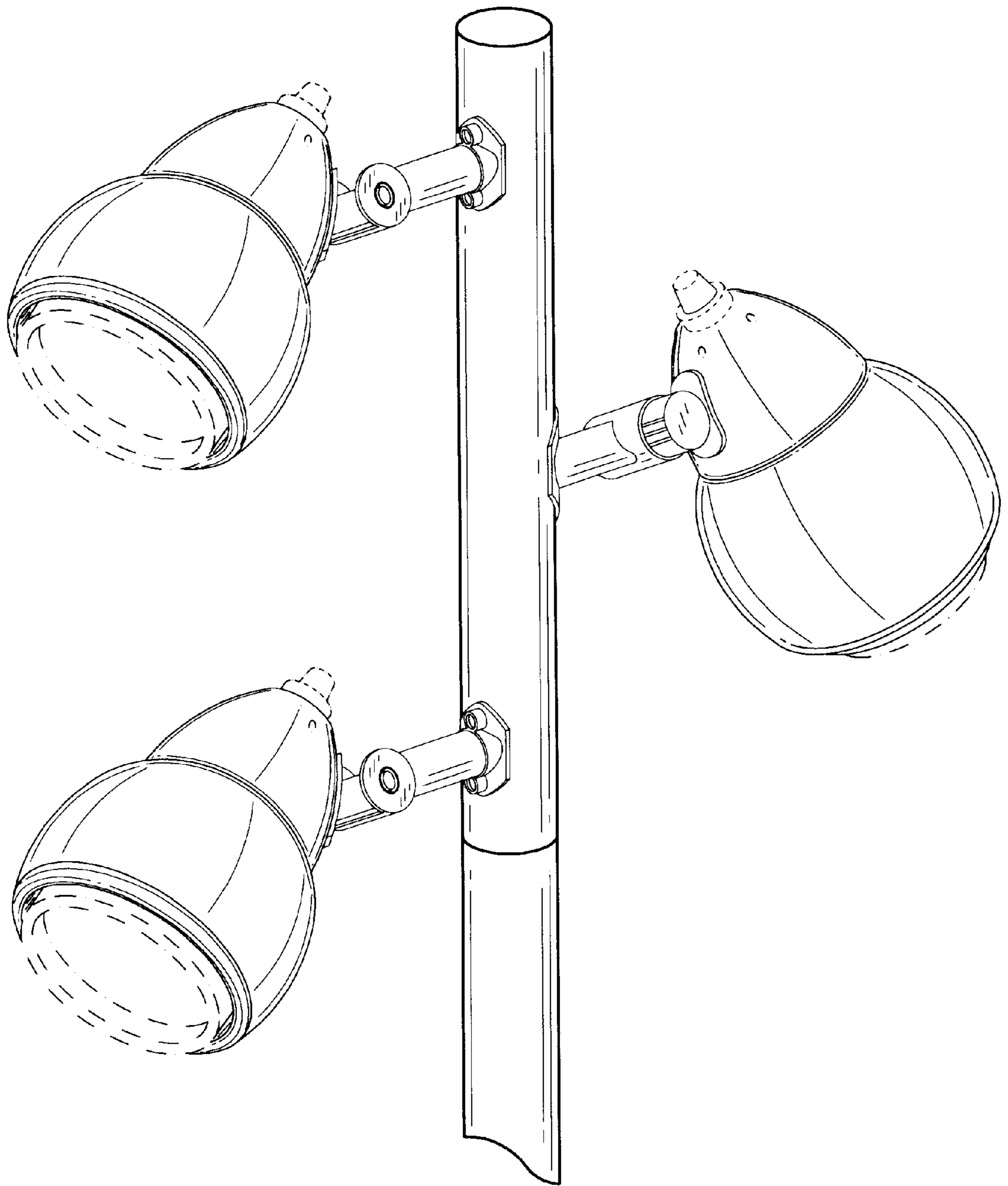


FIG. 3

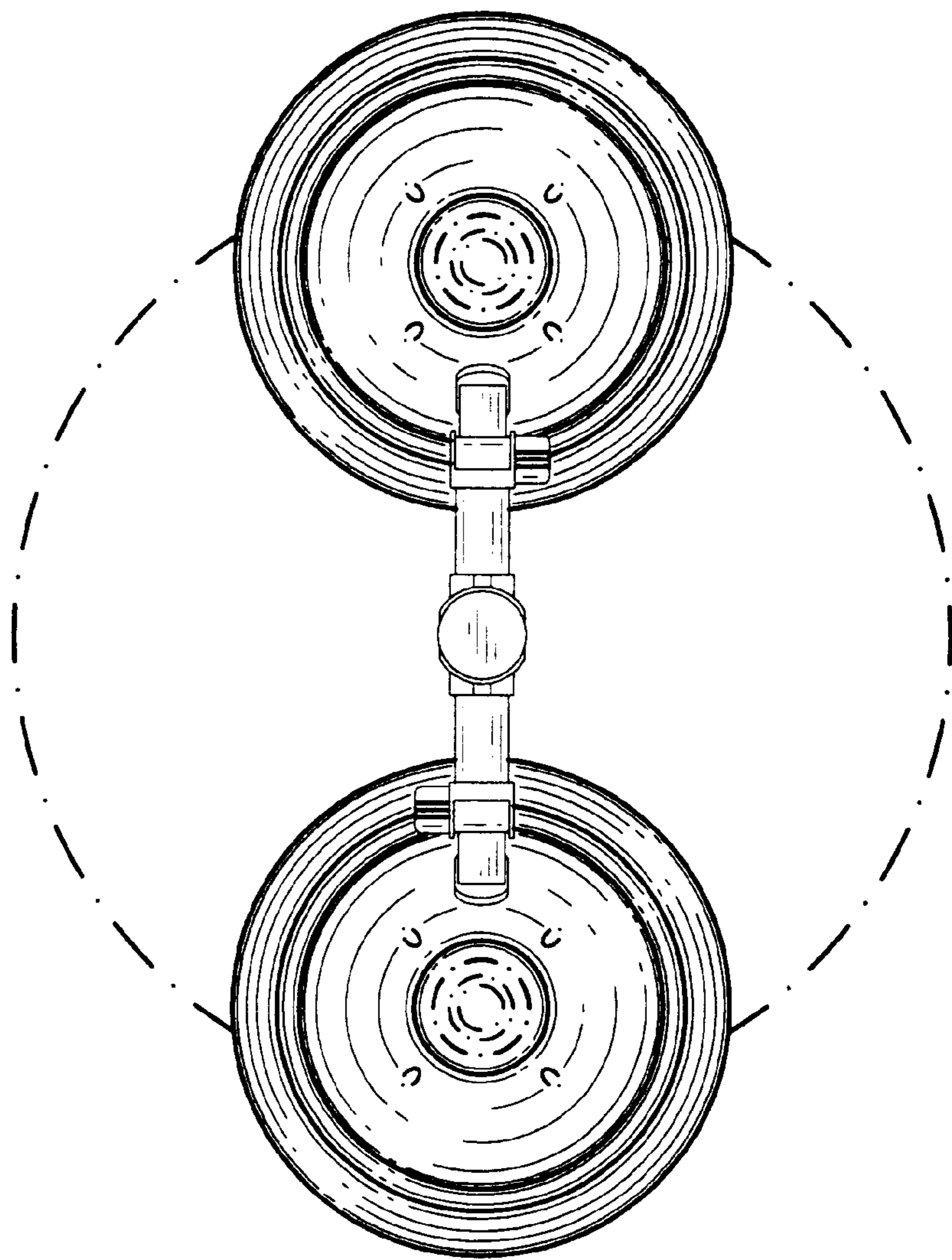


FIG. 4

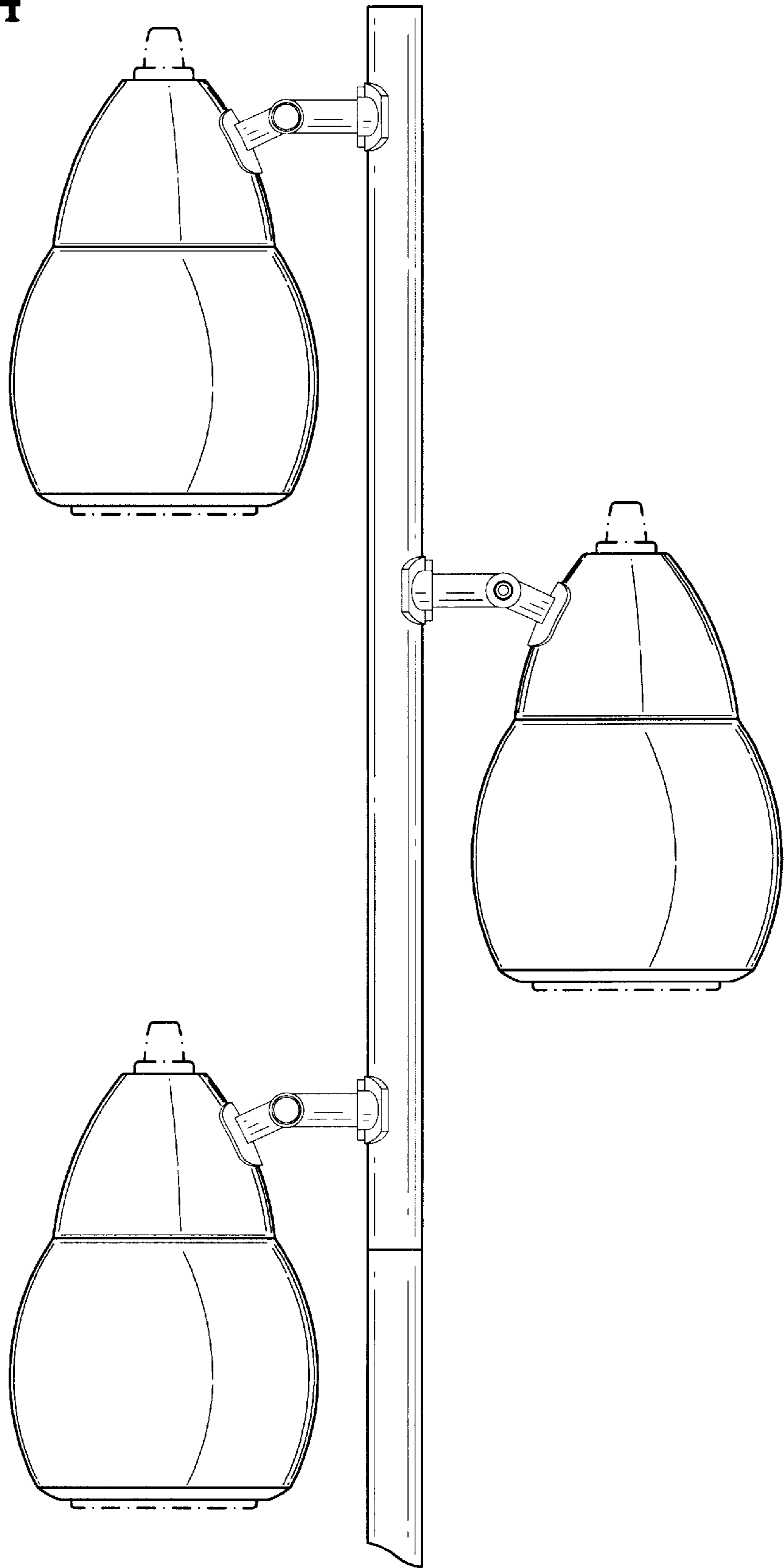


FIG. 5

