



US00D443089S

(12) **United States Design Patent**
van Klinken

(10) **Patent No.:** **US D443,089 S**

(45) **Date of Patent:** **** May 29, 2001**

(54) **LANTERN**

D. 424,224 * 5/2000 Petterson D26/46
D. 437,434 * 2/2001 Zeller D26/46

(75) Inventor: **Dido van Klinken**, Eindhoven (NL)

* cited by examiner

(73) Assignee: **U.S. Philips Corporation**, New York, NY (US)

Primary Examiner—Marcus A. Jackson
(74) *Attorney, Agent, or Firm*—Ernestine C. Bartlett

(**) Term: **14 Years**

(57) **CLAIM**

(21) Appl. No.: **29/133,029**

The ornamental design for a lantern, as shown.

(22) Filed: **Nov. 15, 2000**

DESCRIPTION

(30) **Foreign Application Priority Data**

Jun. 15, 2000 (XH) DMA/004 944

FIG. 1 is a perspective view showing my design;
FIG. 2 is a front elevational view thereof;
FIG. 3 is a rear elevational view thereof;
FIG. 4 is a right side elevational view thereof;
FIG. 5 is a left side elevational view thereof;
FIG. 6 is a top plan view thereof; and,
FIG. 7 is a bottom plan view thereof.

(51) **LOC (7) Cl.** **26-02**

(52) **U.S. Cl.** **D26/46**

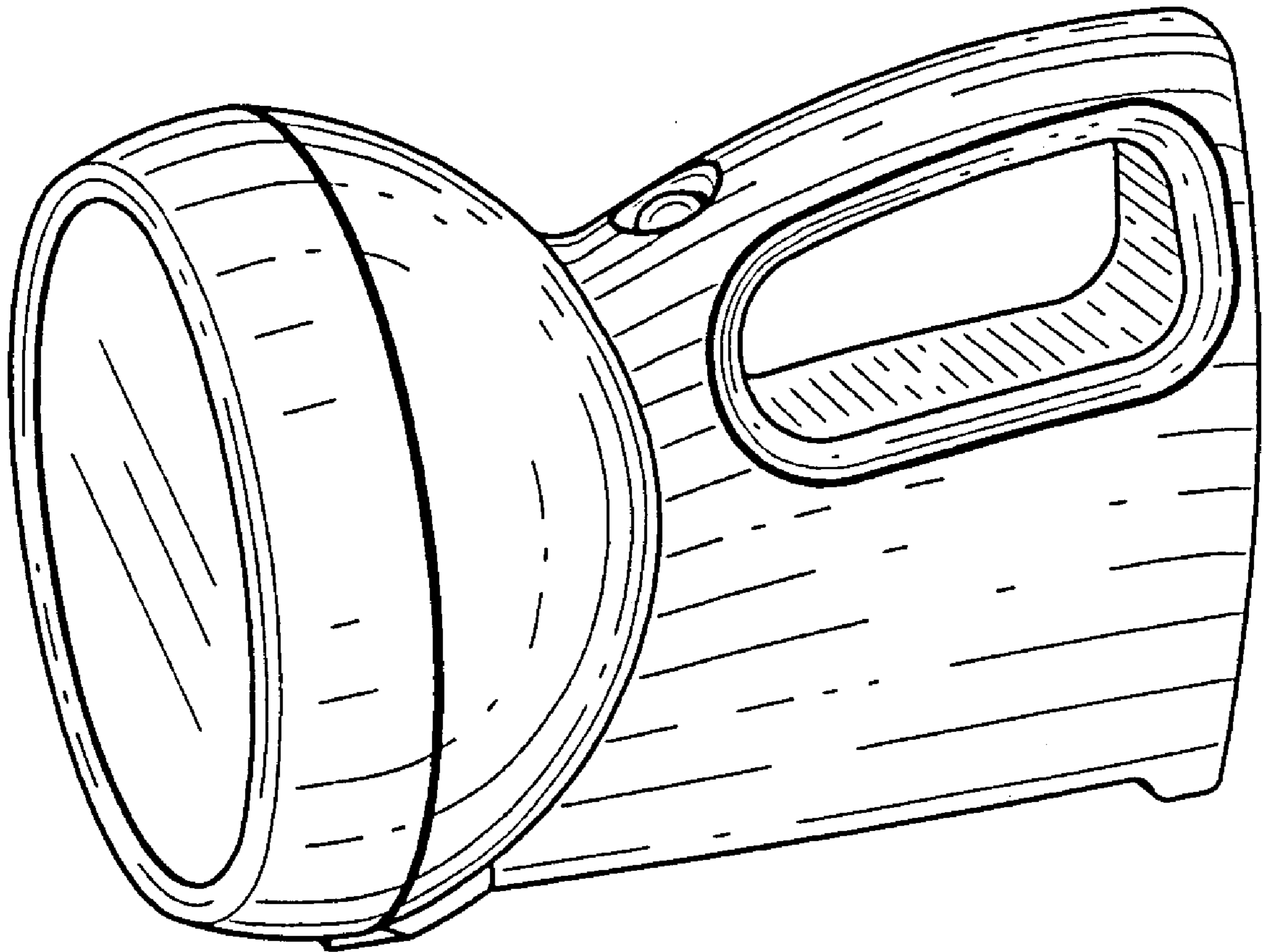
(58) **Field of Search** D26/37-50; 362/157,
362/158, 171, 173, 175, 183-208

(56) **References Cited**

U.S. PATENT DOCUMENTS

D. 404,154 * 1/1999 Breit D26/37

1 Claim, 3 Drawing Sheets



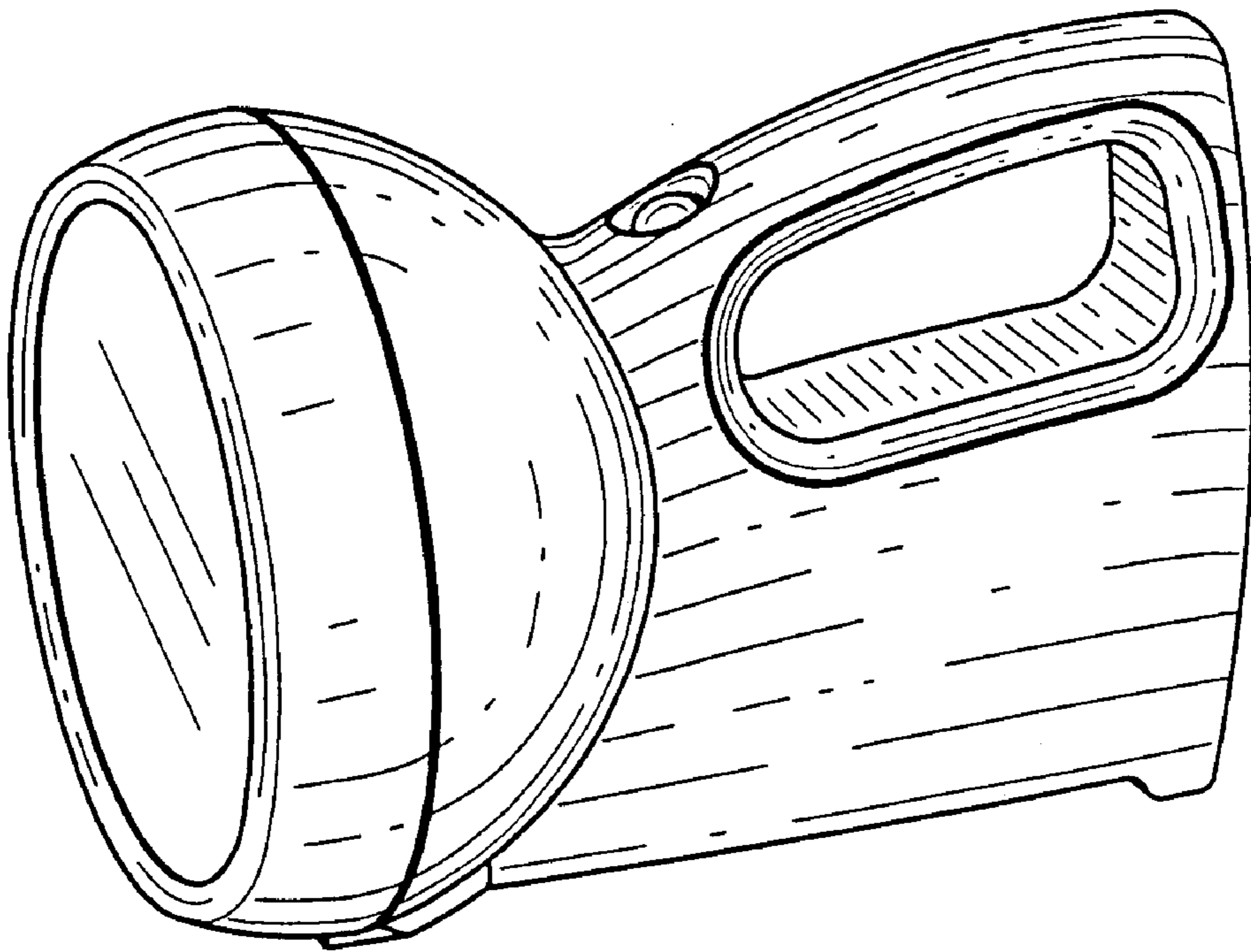


FIG. 1

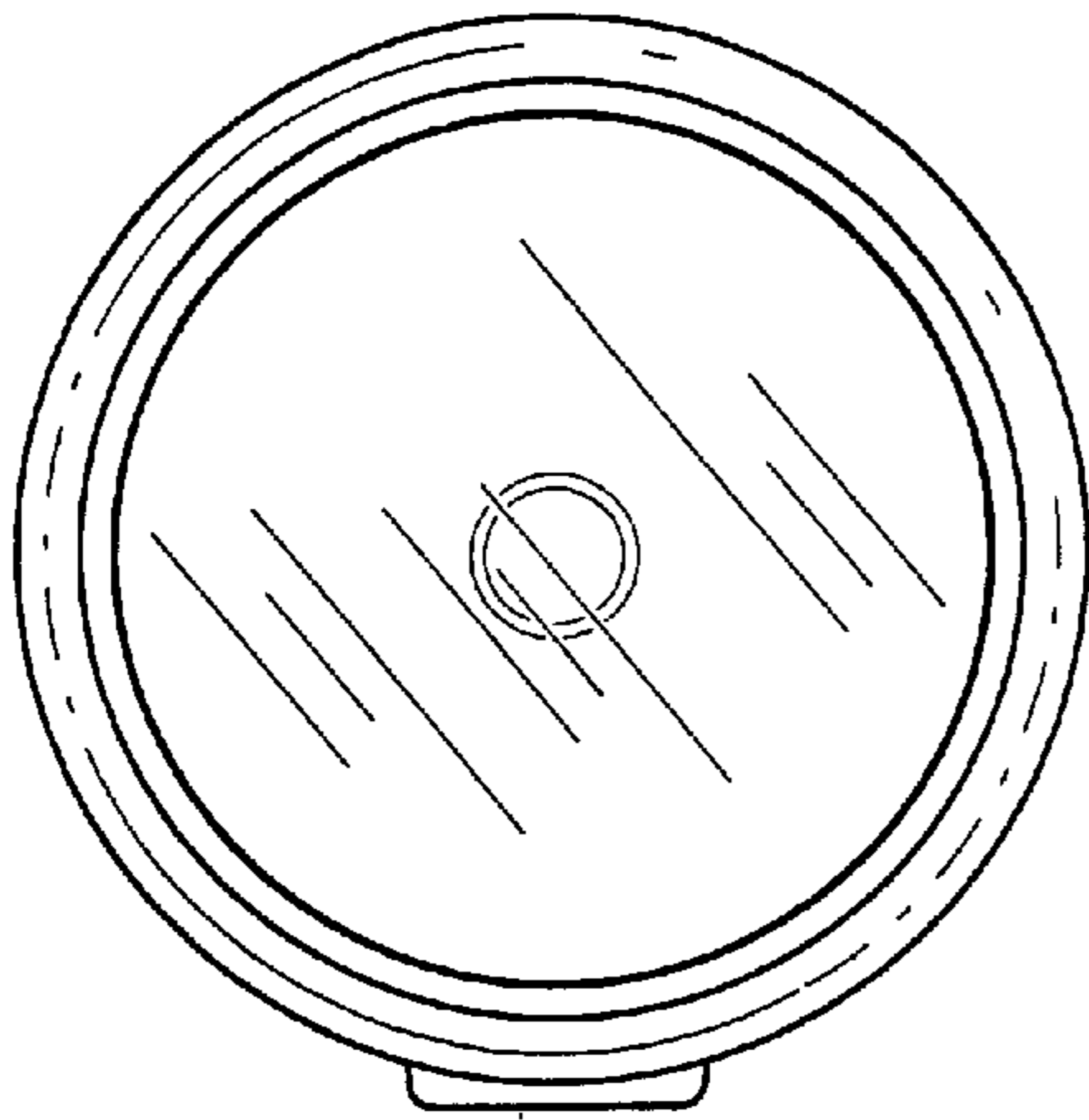


FIG. 2

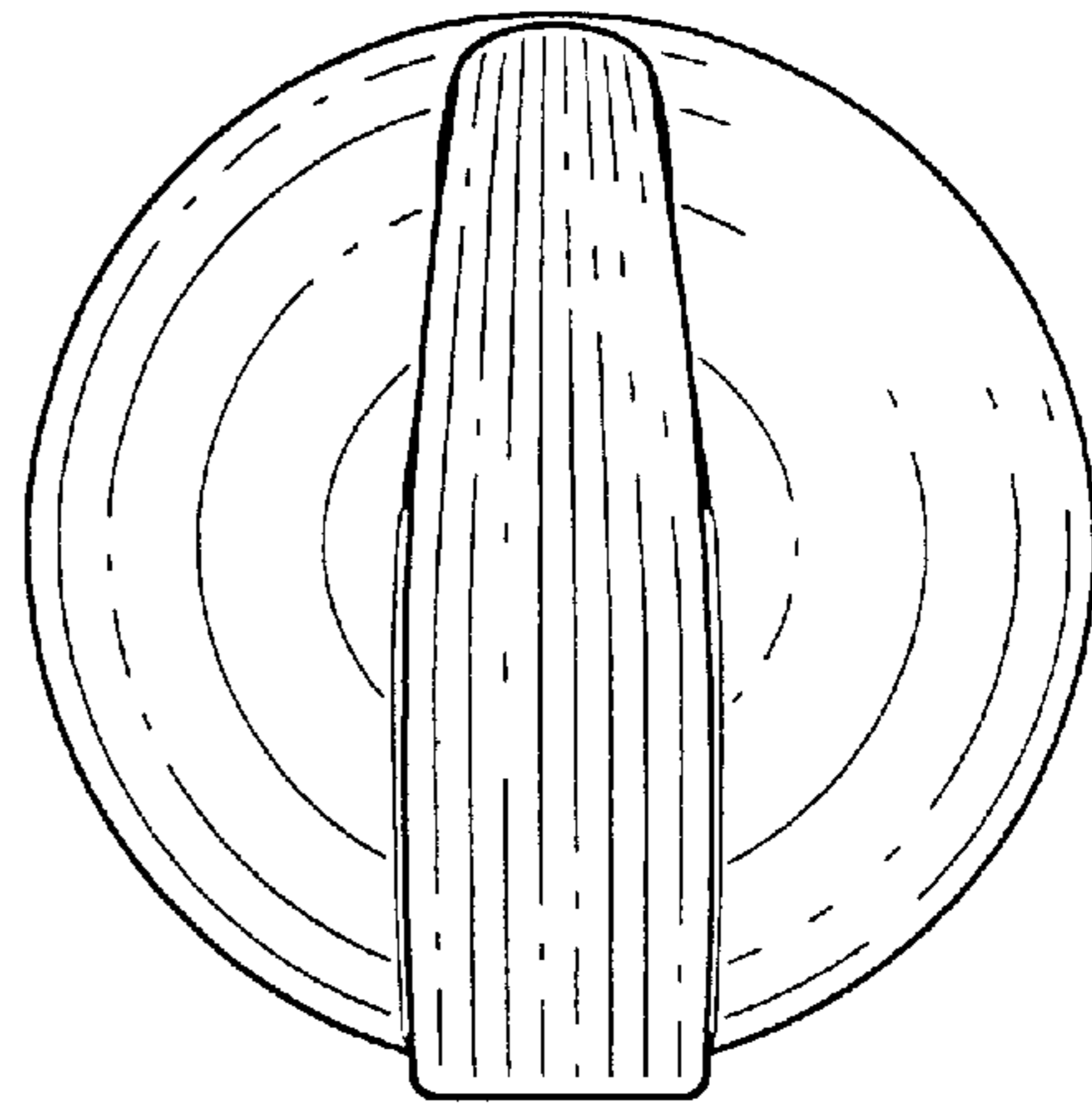


FIG. 3

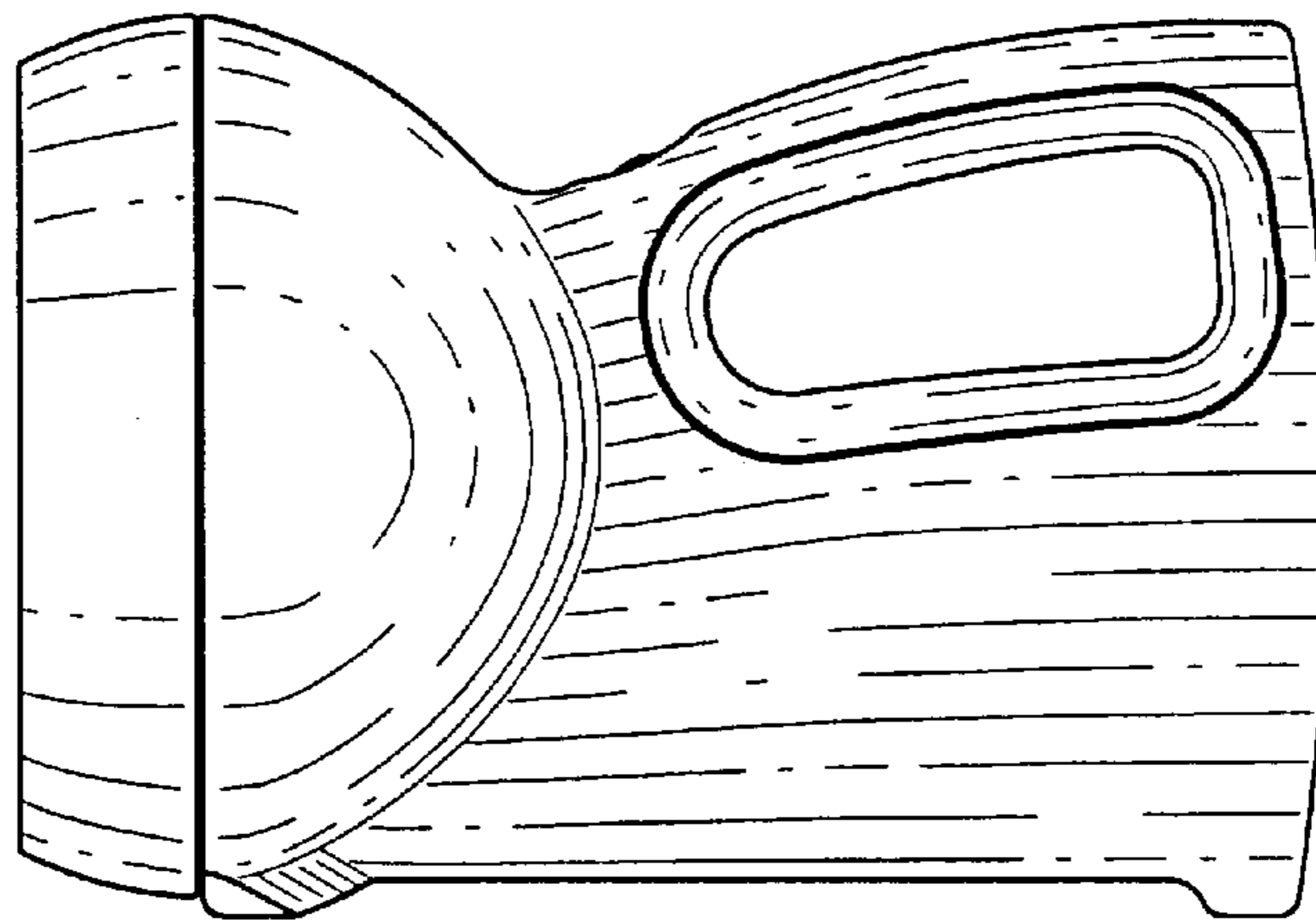


FIG. 4

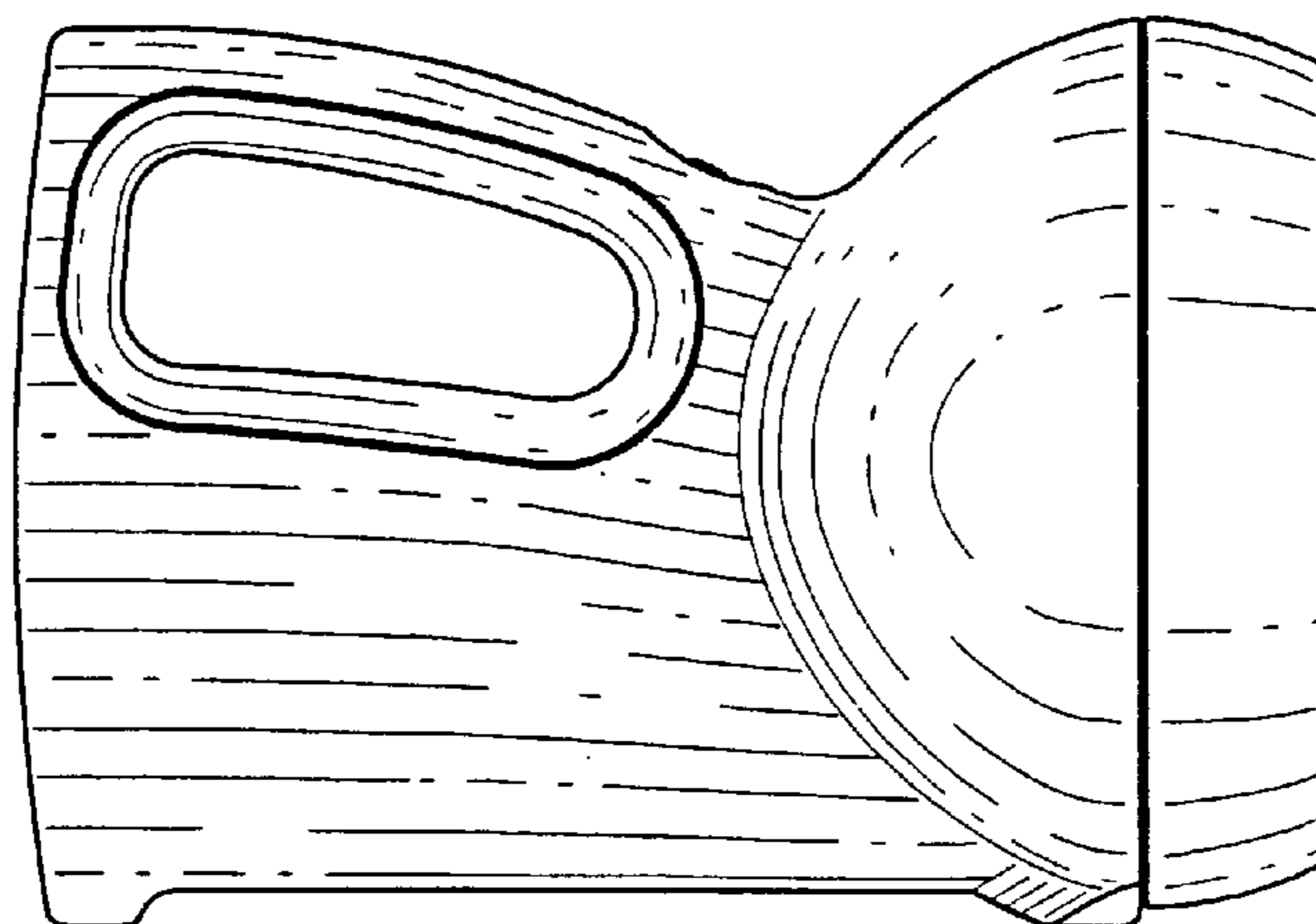


FIG. 5

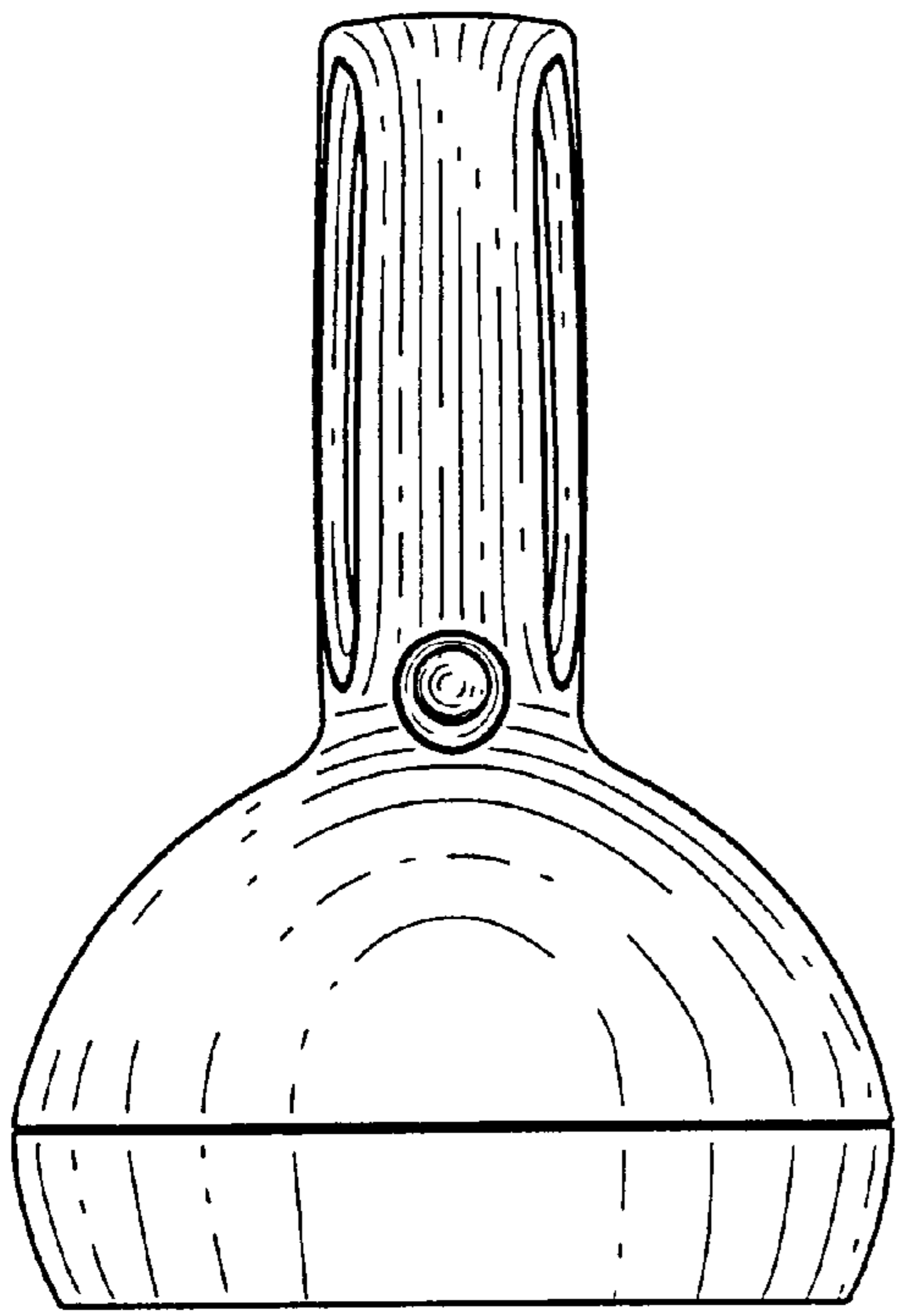


FIG. 6

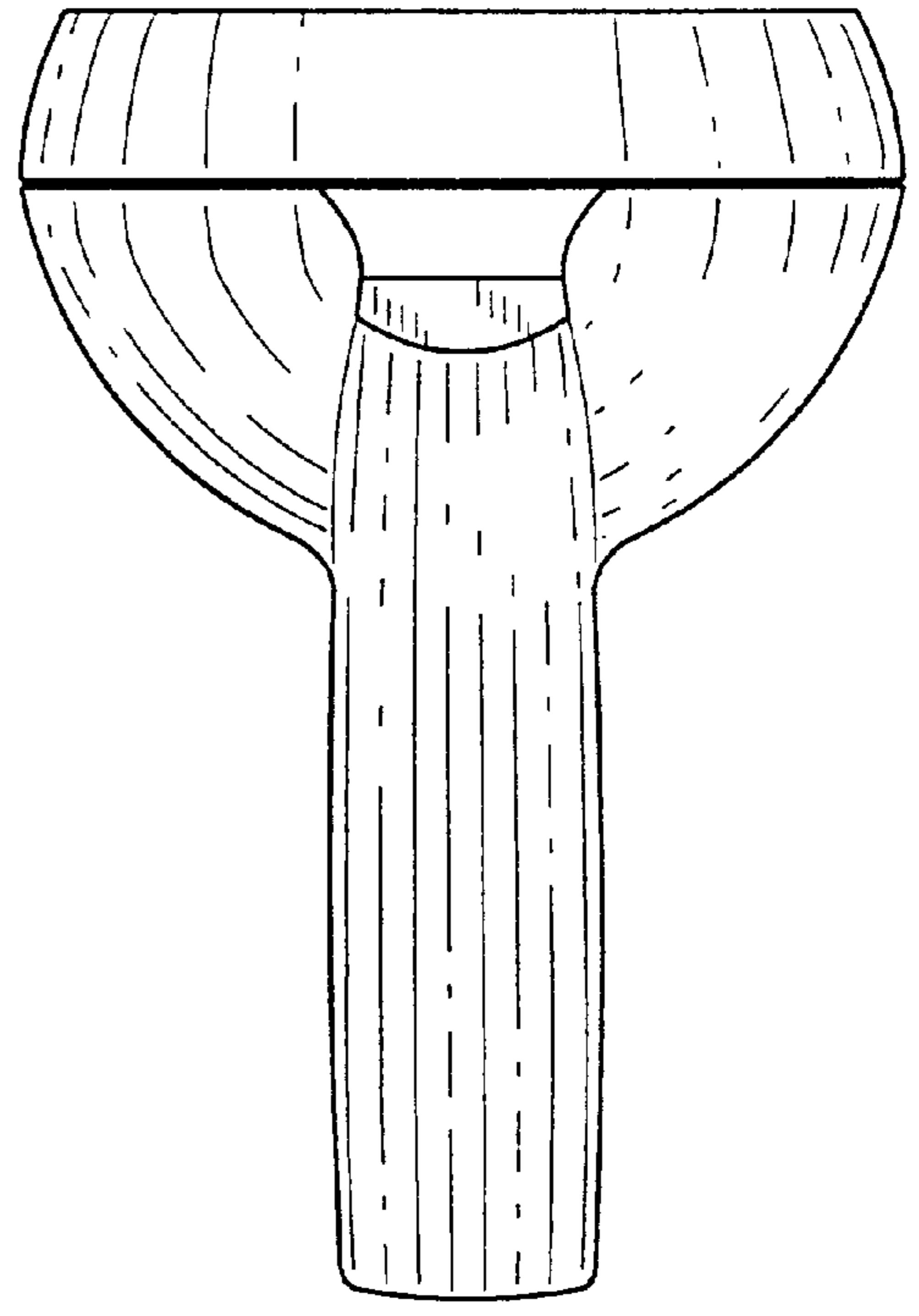


FIG. 7