



US00D443088S

(12) **United States Design Patent** (10) **Patent No.:** **US D443,088 S**
Skidmore et al. (45) **Date of Patent:** **** May 29, 2001**

(54) **LANTERN**

(75) Inventors: **Keith V. Skidmore**, Newton, KS (US);
Alton Leung, Tsuen Wan (HK)

(73) Assignee: **The Coleman Company, Inc.**, Wichita,
KS (US)

(**) Term: **14 Years**

(21) Appl. No.: **29/123,578**

(22) Filed: **May 19, 2000**

(51) **LOC (7) Cl.** **26-02**

(52) **U.S. Cl.** **D26/40**

(58) **Field of Search** D26/37-50; 362/157,
362/158, 171, 180, 183-208

(56) **References Cited**

U.S. PATENT DOCUMENTS

- D. 311,964 * 11/1990 Wan D26/40
- D. 374,296 * 10/1996 Lo D26/37
- D. 429,354 * 8/2000 Petterson D26/40
- D. 433,762 * 11/2000 Yuen D26/40

OTHER PUBLICATIONS

The Coleman Company, Inc.: "2000 Outdoor Product Catalog" OL1158-100 © 1999, pp. 20, 21, 23.

* cited by examiner

Primary Examiner—Marcus A. Jackson

(74) *Attorney, Agent, or Firm*—Kramer, Levin, Naftalis, & Frankel, LLP.

(57) **CLAIM**

The ornamental design for a lantern, as shown and described.

DESCRIPTION

FIG. 1 is a front perspective view showing the new design, with the broken line showing for illustrative purposes only and forming no part of the claimed design;

FIG. 2 is a front elevation view thereof;

FIG. 3 is a rear elevation view thereof;

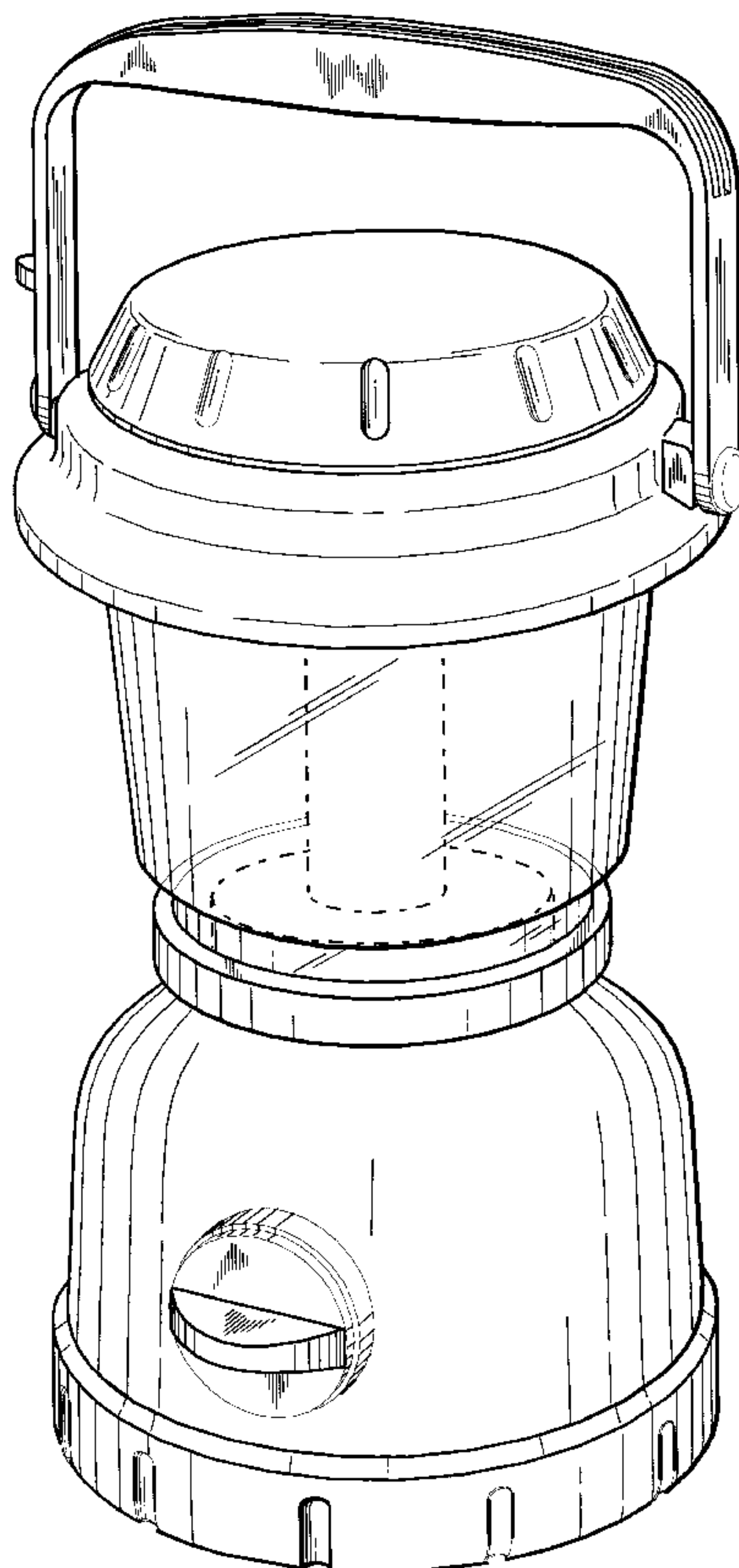
FIG. 4 is a side elevation view thereof;

FIG. 5 is a side elevation view thereof, showing the opposite side of FIG. 4;

FIG. 6 is a top plan view thereof; and,

FIG. 7 is a bottom plan view thereof.

1 Claim, 7 Drawing Sheets



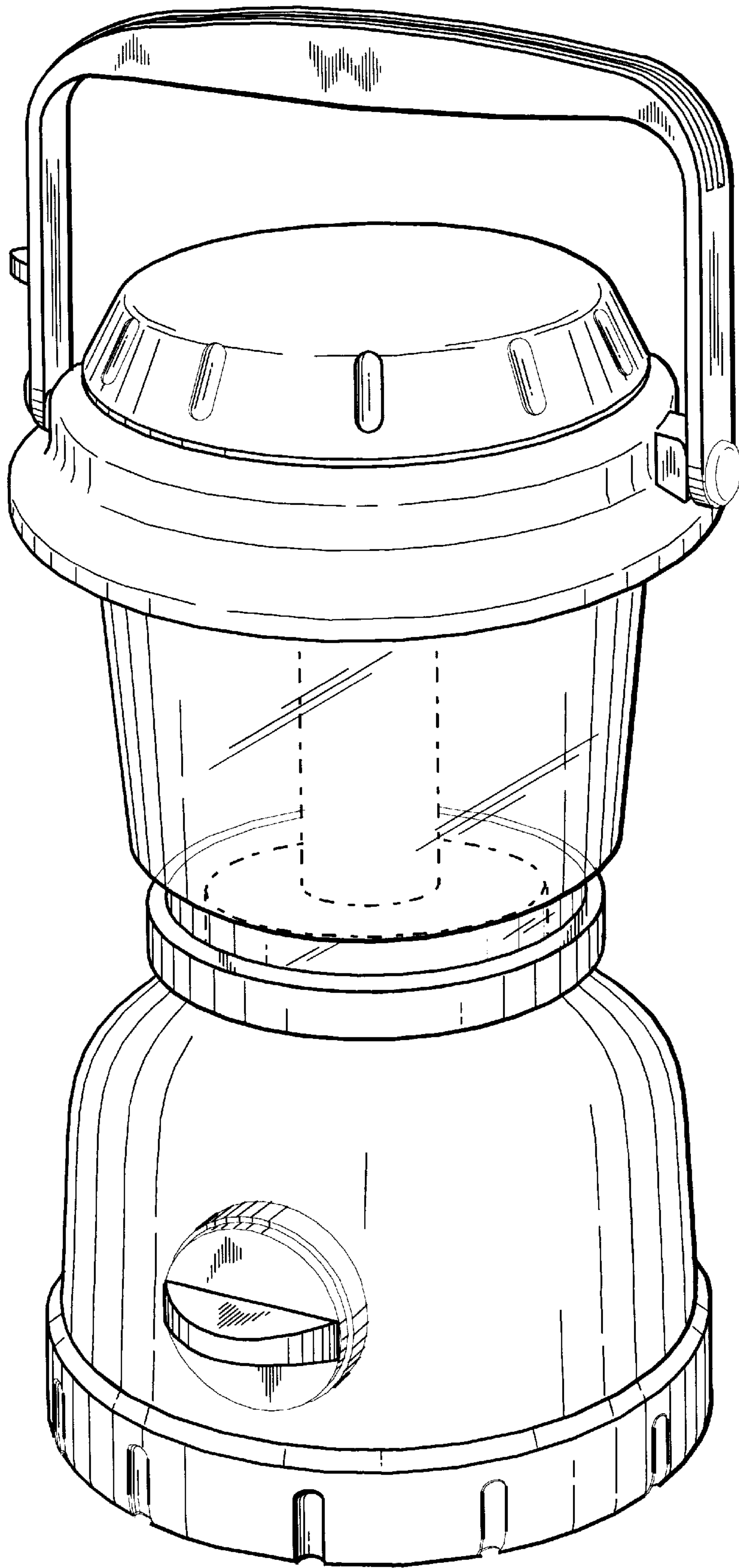


FIG. 1

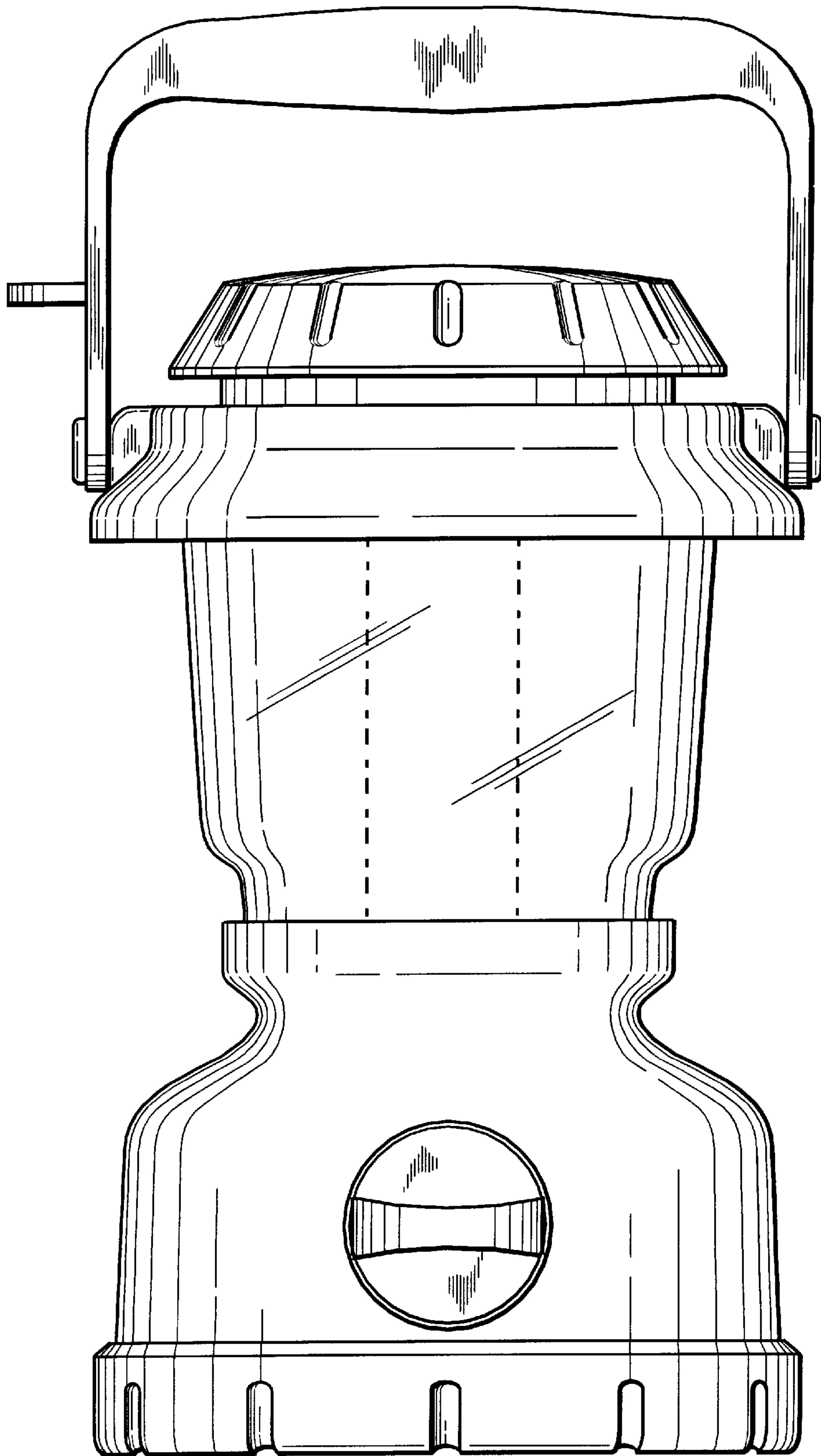


FIG. 2

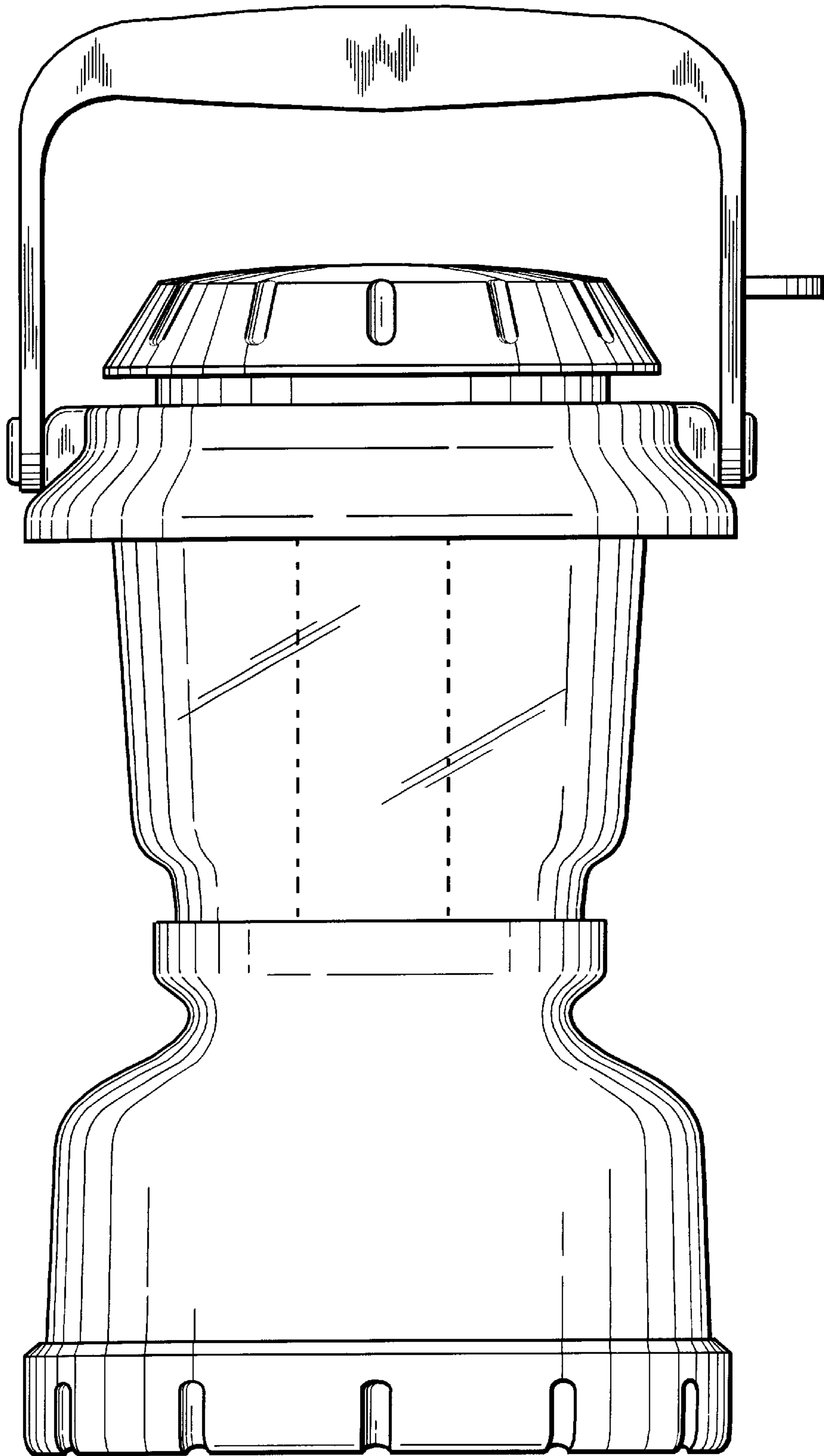


FIG. 3

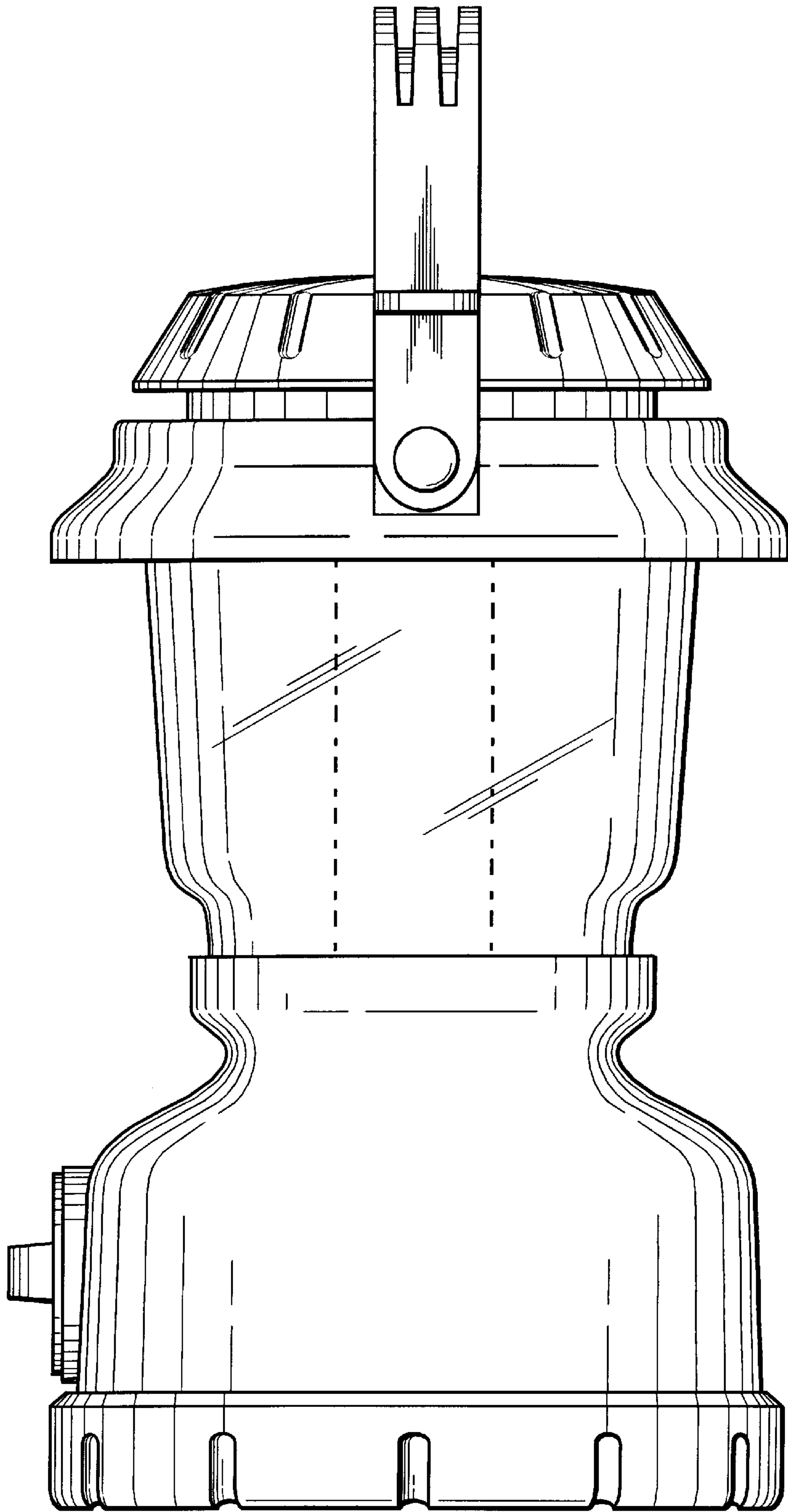


FIG. 4

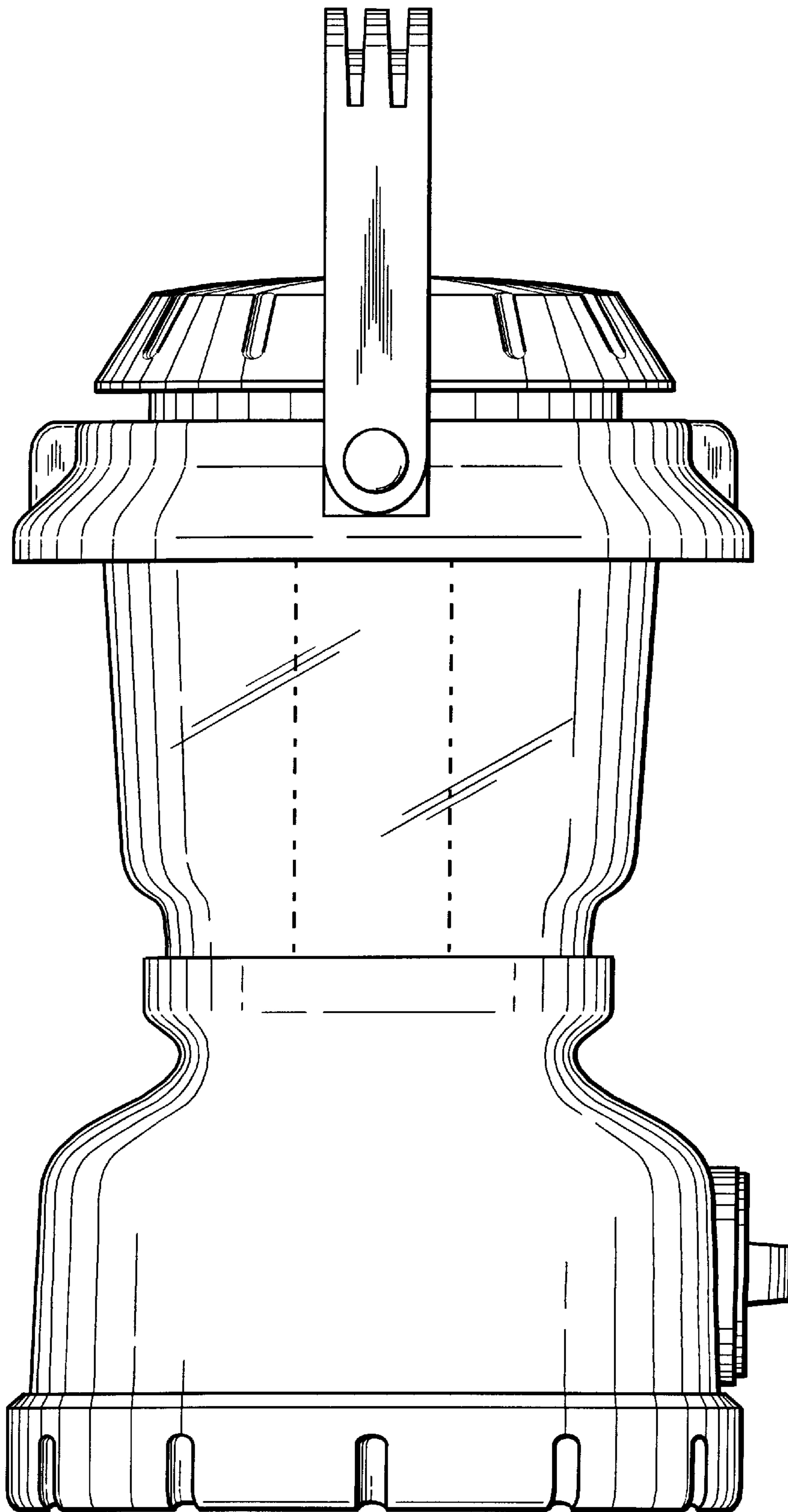


FIG. 5

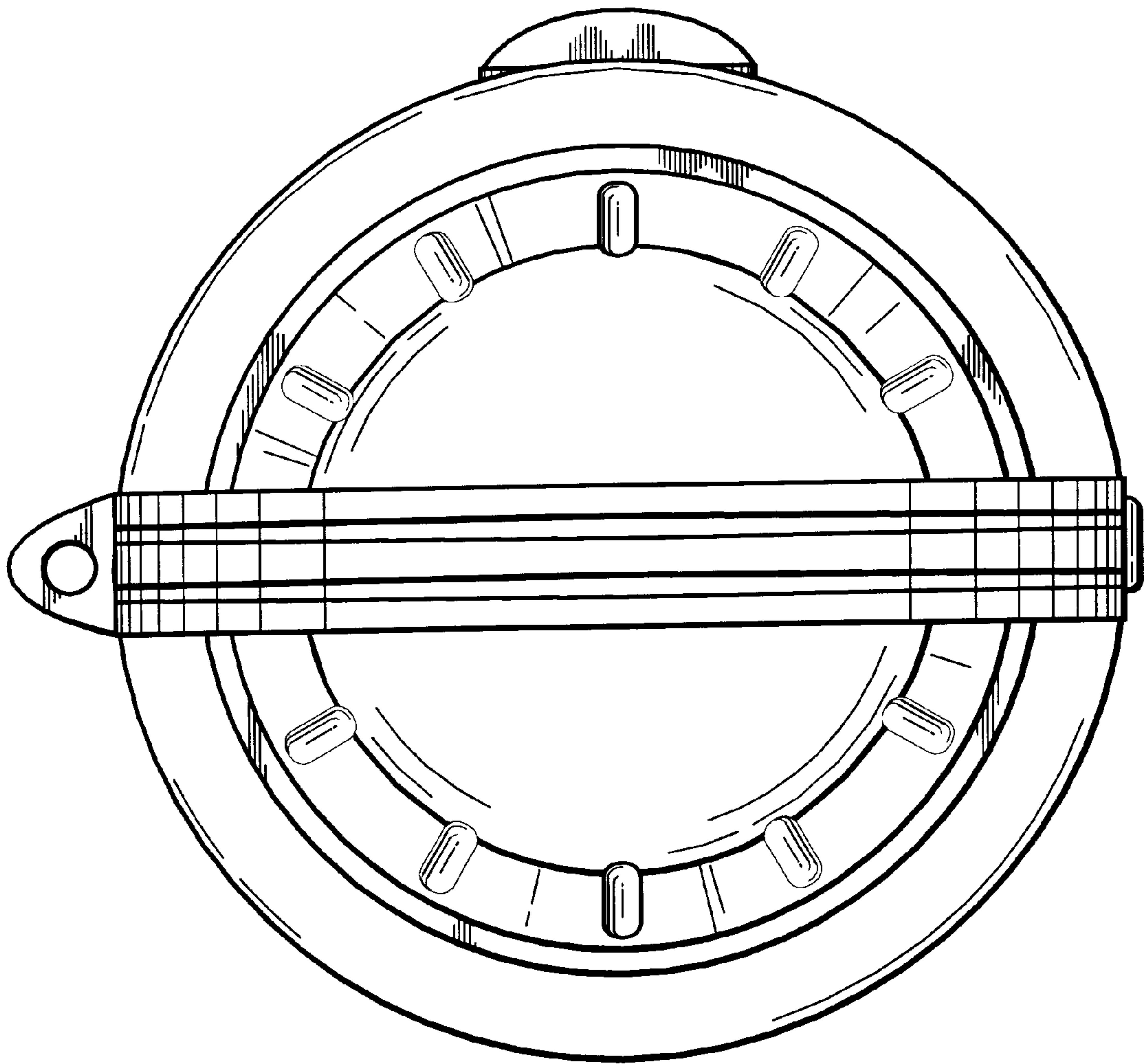


FIG. 6

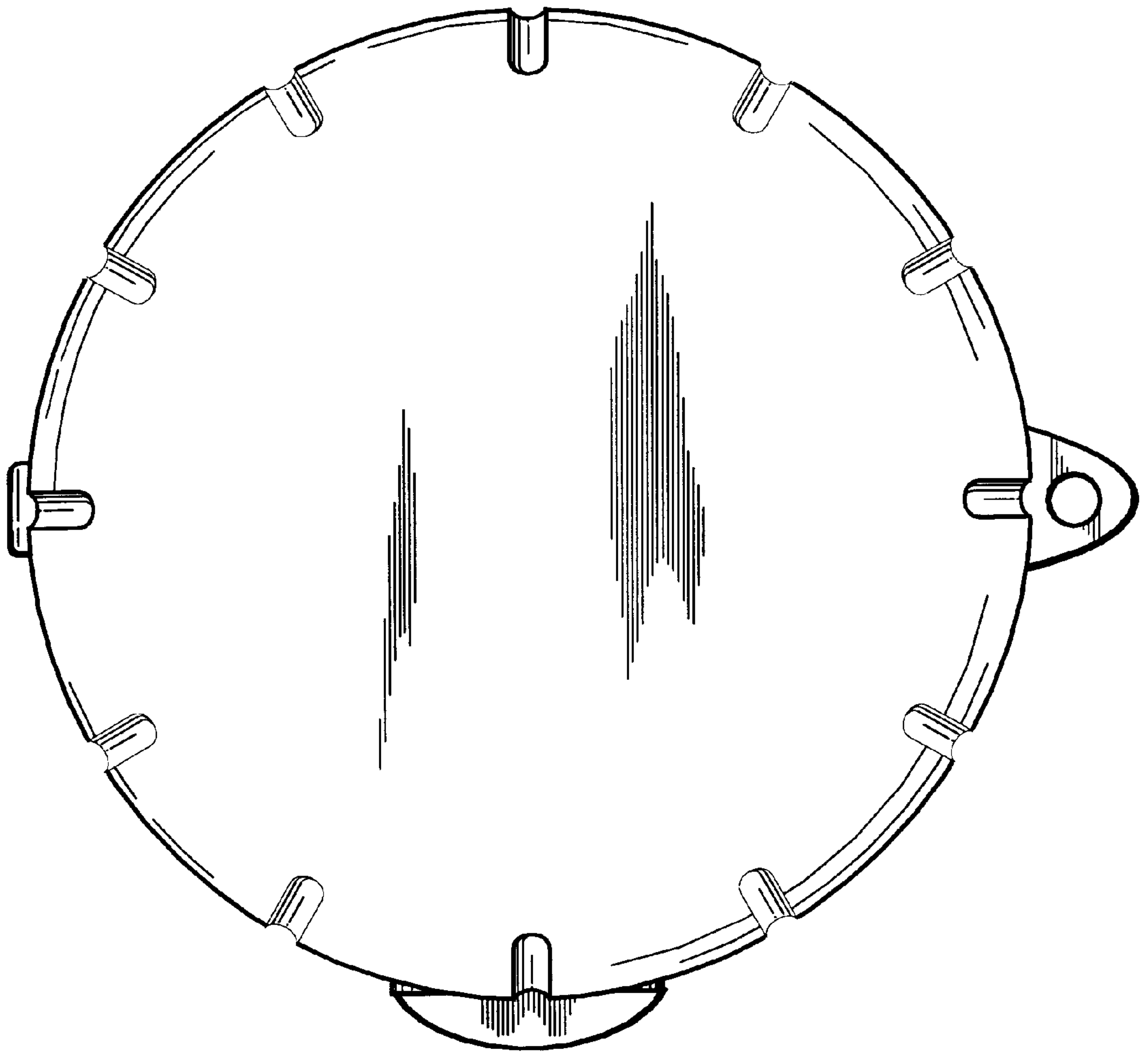


FIG. 7