



US00D443084S

(12) **United States Design Patent**
Nagano

(10) **Patent No.:** **US D443,084 S**

(45) **Date of Patent:** **** May 29, 2001**

(54) **LAMP WITH REFLECTOR FOR BICYCLE**

D. 395,717 * 6/1998 Dalton et al. D26/28

(75) **Inventor:** **Toshiyuki Nagano, Takarazuka (JP)**

* cited by examiner

(73) **Assignee:** **Cateye Co., Ltd., Osaka (JP)**

Primary Examiner—Marcus A. Jackson

(**) **Term:** **14 Years**

(74) *Attorney, Agent, or Firm*—Olson & Hierl, Ltd.

(21) **Appl. No.:** **29/129,855**

(57) **CLAIM**

(22) **Filed:** **Sep. 22, 2000**

The ornamental design for a lamp with reflector for bicycle, as shown and described.

(30) **Foreign Application Priority Data**

DESCRIPTION

Apr. 21, 2000 (JP) 12-010547

FIG. 1 is a front view of a lamp with reflector for bicycle showing my new design;

(51) **LOC (7) Cl.** **26-04**

FIG. 2 is a rear view thereof;

(52) **U.S. Cl.** **D26/28**

FIG. 3 is a top plan view thereof;

(58) **Field of Search** D26/28-36; 362/157,
362/158, 171, 183-208

FIG. 4 is a bottom plan view thereof;

FIG. 5 is a left side view thereof;

FIG. 6 is a right side view thereof;

(56) **References Cited**

FIG. 7 is a perspective view thereof; and,

FIG. 8 is a perspective view thereof taken from rear side.

U.S. PATENT DOCUMENTS

D. 382,356 * 8/1997 Okuda et al. D26/28

1 Claim, 3 Drawing Sheets

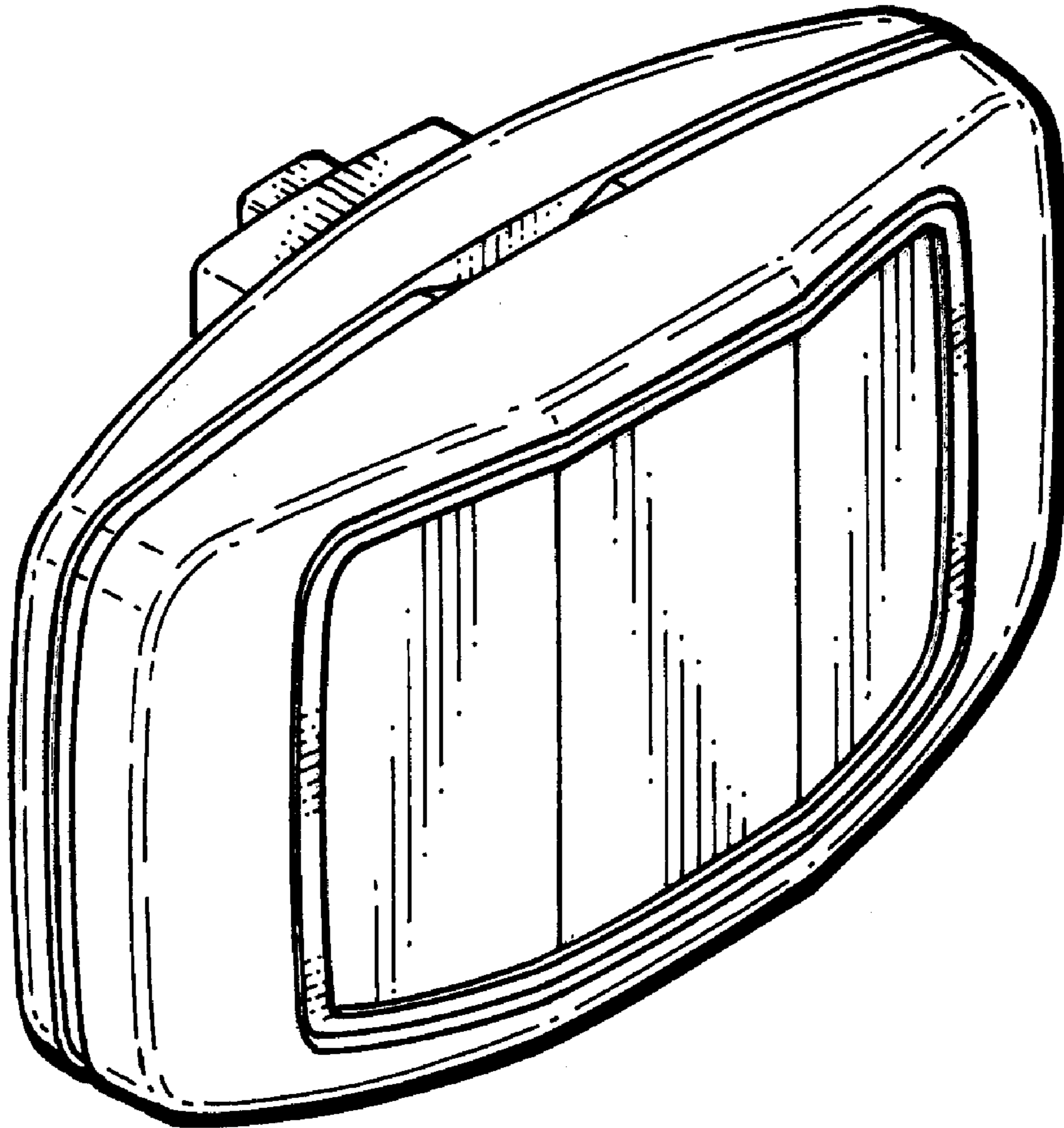


FIG. 1

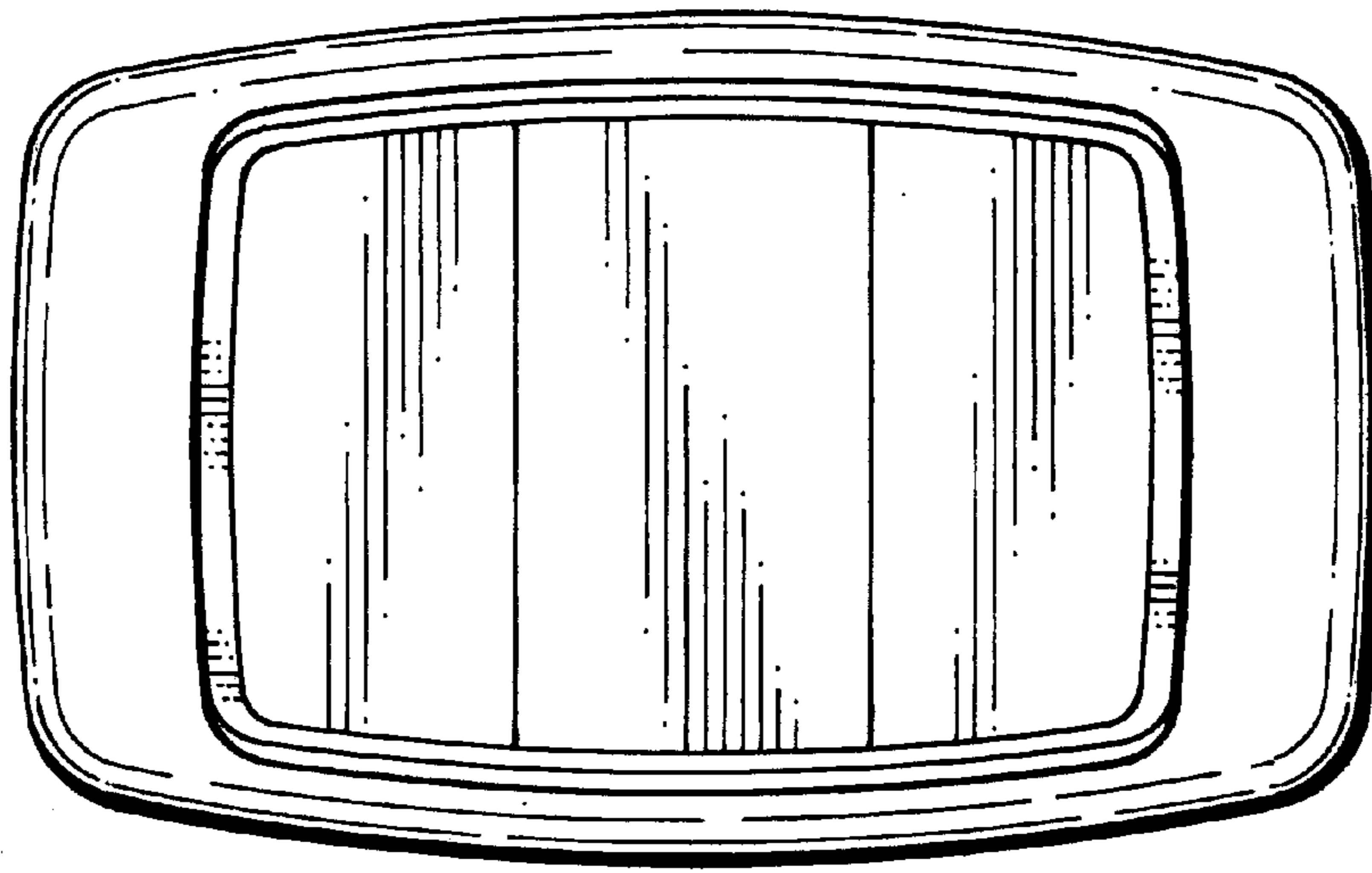


FIG. 2

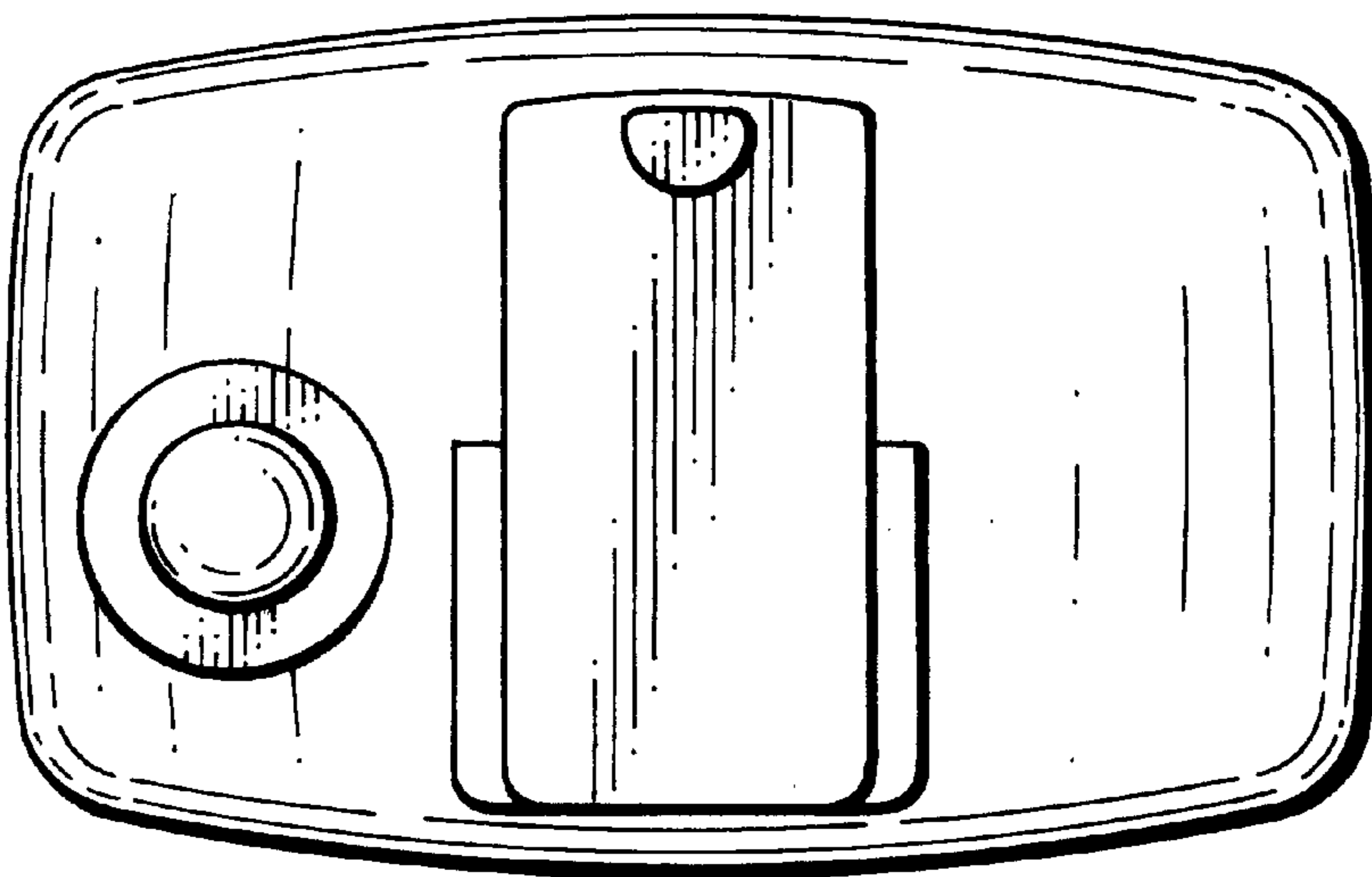


FIG. 3

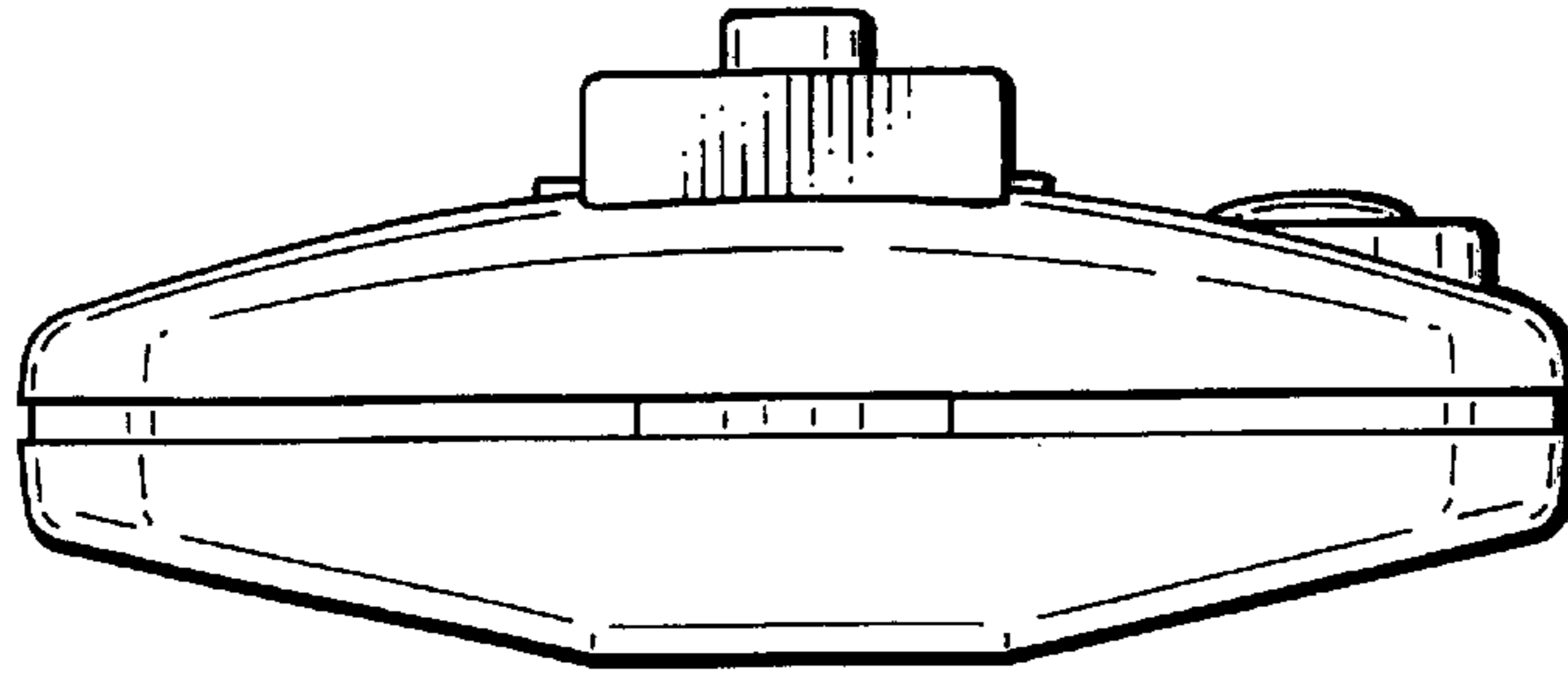


FIG. 4

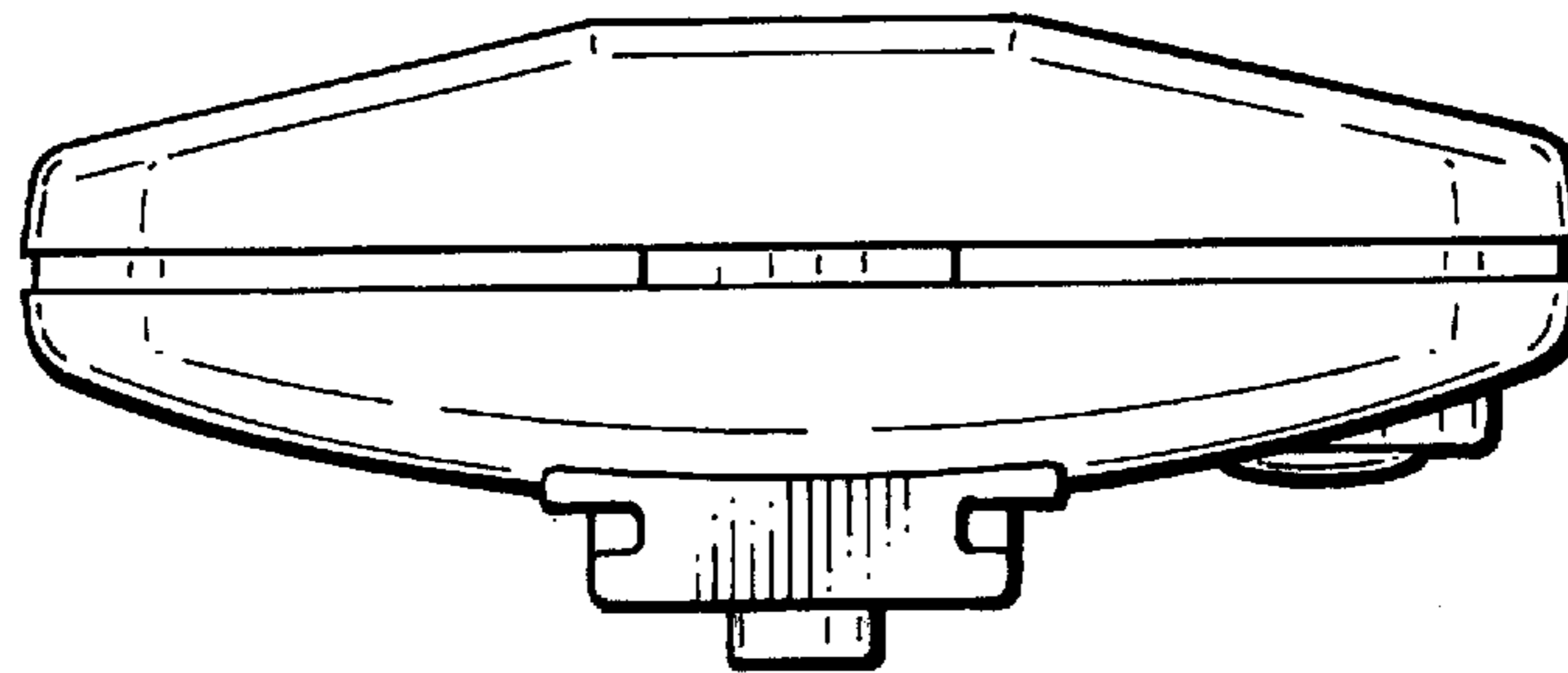


FIG. 5

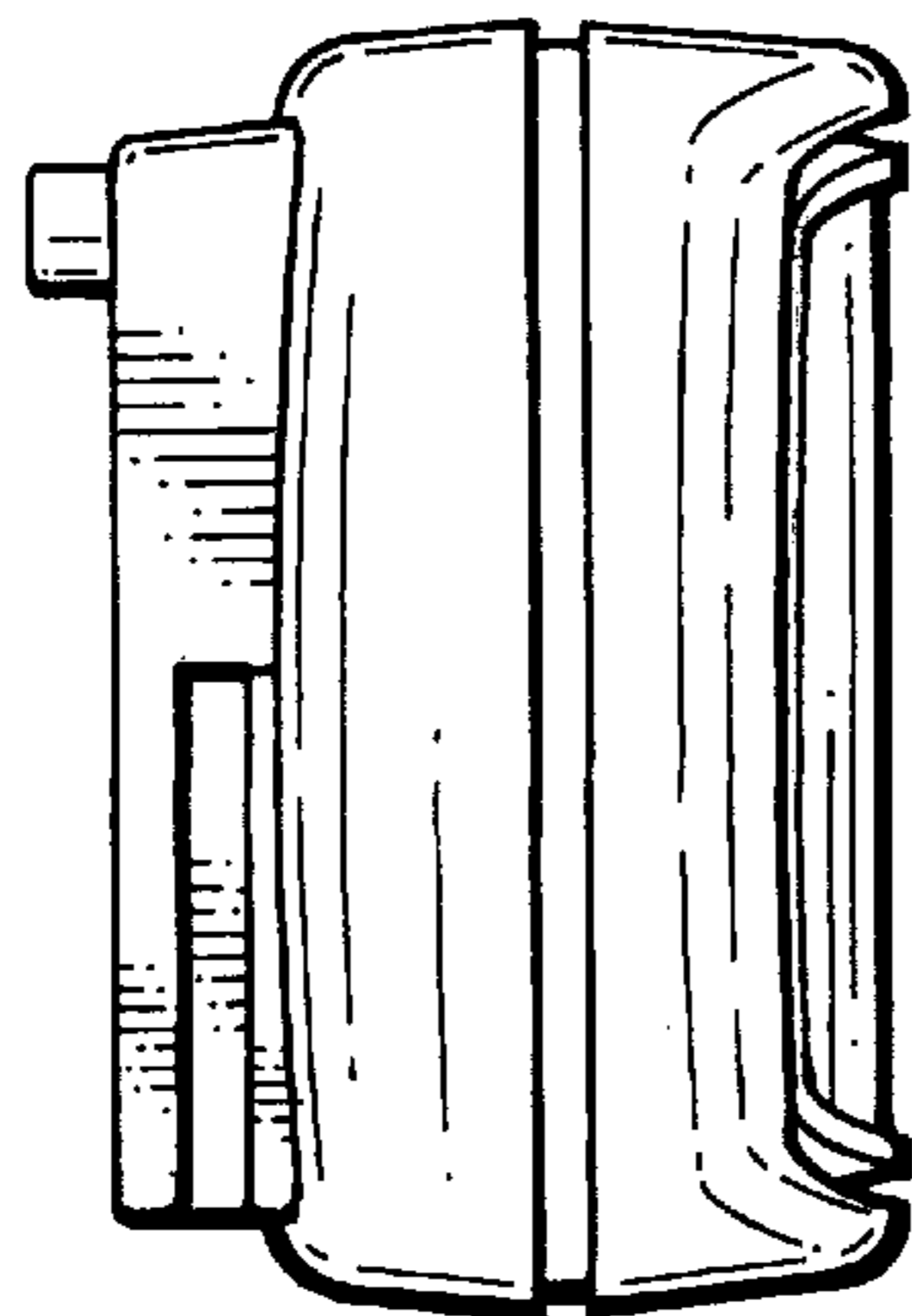


FIG. 6

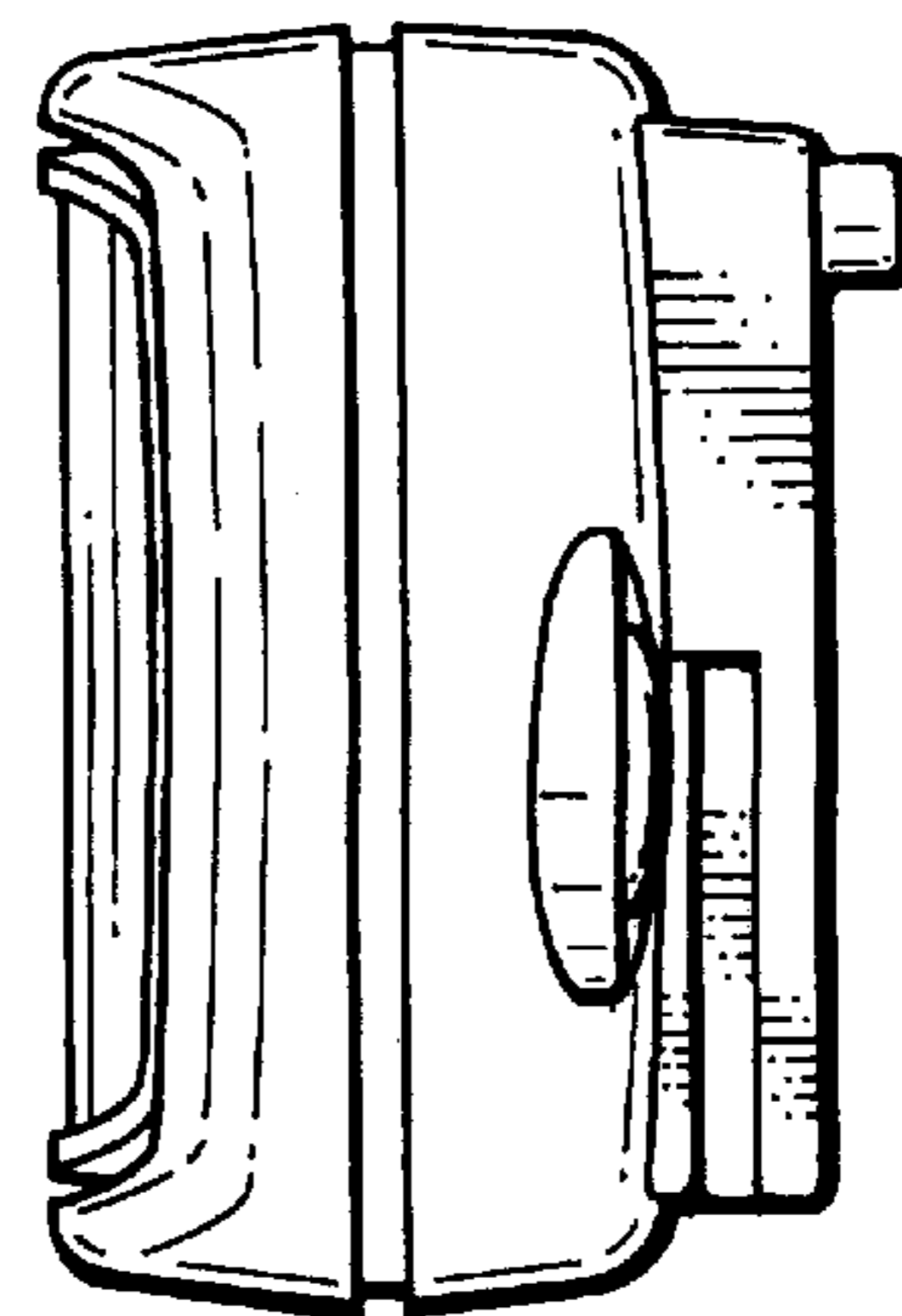


FIG. 7

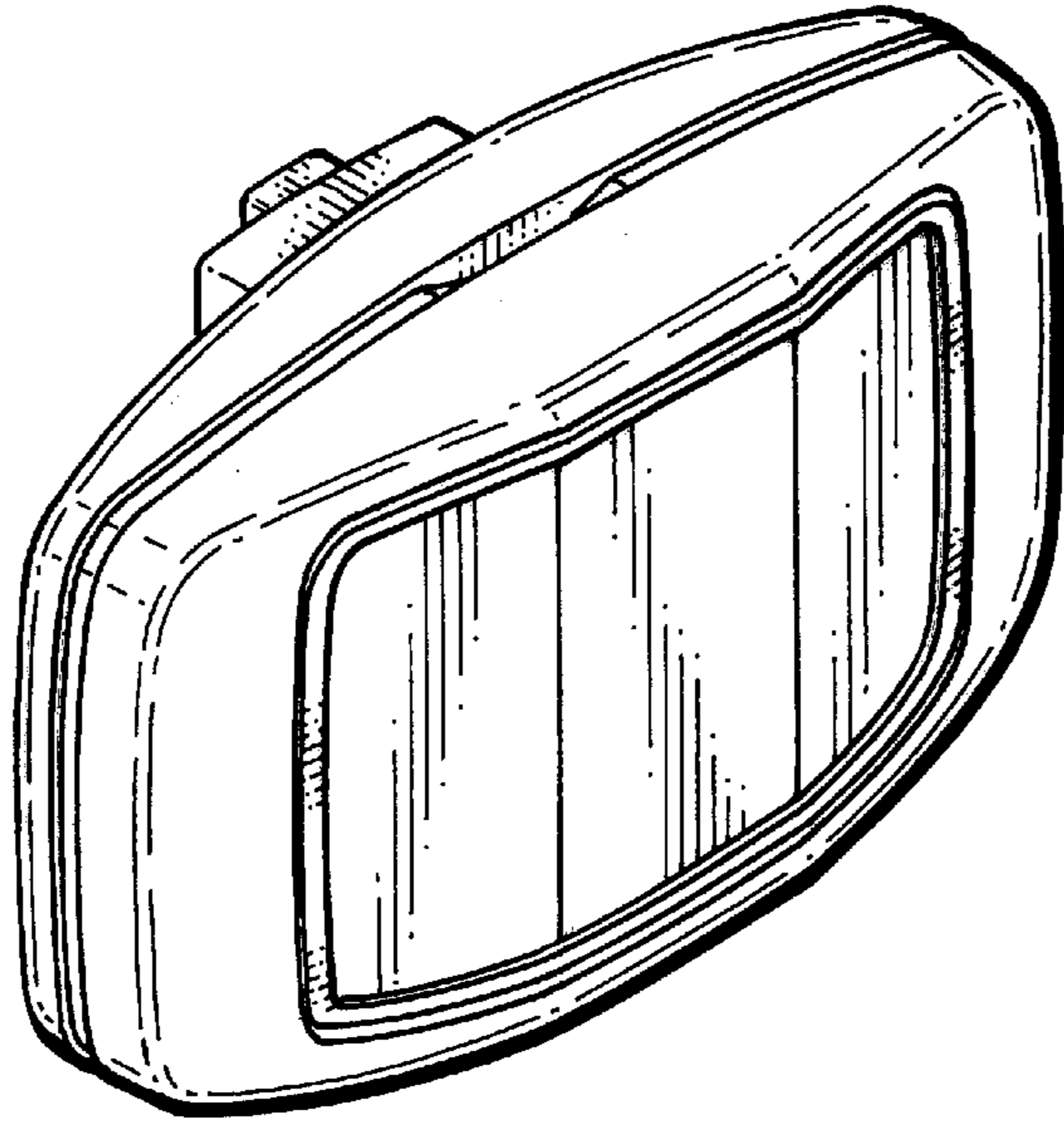
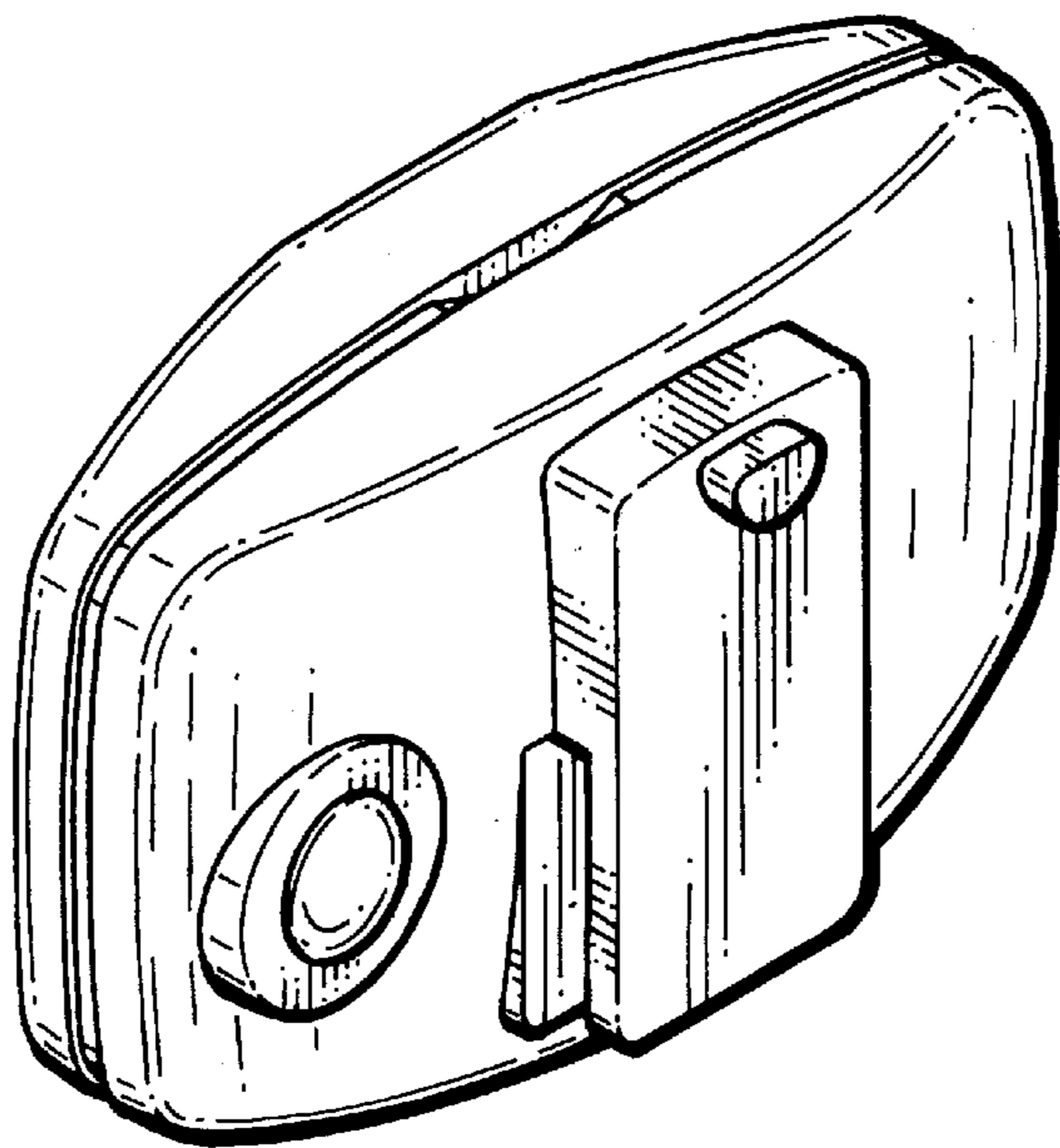


FIG. 8



UNITED STATES PATENT AND TRADEMARK OFFICE
CERTIFICATE OF CORRECTION

PATENT NO. : Des 443,084 S
DATED : May 29, 2001
INVENTOR(S) : Toshiyuki Nagano

Page 1 of 1

It is certified that error appears in the above-identified patent and that said Letters Patent is hereby corrected as shown below:

Title page.

Under **Foreign Application Priority Data**, delete "12-010547" and insert -- 2000-010547 --.

Signed and Sealed this

Eleventh Day of December, 2001

Atest:

Nicholas P. Godici

Atesting Officer

NICHOLAS P. GODICI
Acting Director of the United States Patent and Trademark Office