



US00D443083S

(12) **United States Design Patent**
Dearth

(10) **Patent No.:** **US D443,083 S**

(45) **Date of Patent:** **** May 29, 2001**

(54) **CANDLE IN A CONTAINER WITH A LID**

3,857,506 * 12/1974 Hafele D9/503

(75) Inventor: **Charles Dearth**, Chillicothe, OH (US)

* cited by examiner

(73) Assignee: **Scentual Candle, Inc.**, Washington Court House, OH (US)

Primary Examiner—Robin V. Taylor

(74) *Attorney, Agent, or Firm*—Standley & Gilcrest LLP

(**) Term: **14 Years**

(57) **CLAIM**

The ornamental design for a candle in a container with a lid, as shown and described.

(21) Appl. No.: **29/121,270**

(22) Filed: **Apr. 4, 2000**

DESCRIPTION

(51) **LOC (7) Cl.** **26-01**

(52) **U.S. Cl.** **D26/10**

(58) **Field of Search** D26/6, 7, 9, 10, D26/11; D9/503, 504; 431/291

FIG. 1 is a perspective view of the candle in a container with a lid of the present invention;

FIG. 2 is a top plan view of the candle in a container with a lid of FIG. 1;

FIG. 3 is a side elevation view of the candle in a container with a lid of FIG. 1;

FIG. 4 is a side elevation view of the candle in a container with a lid of the present invention; and,

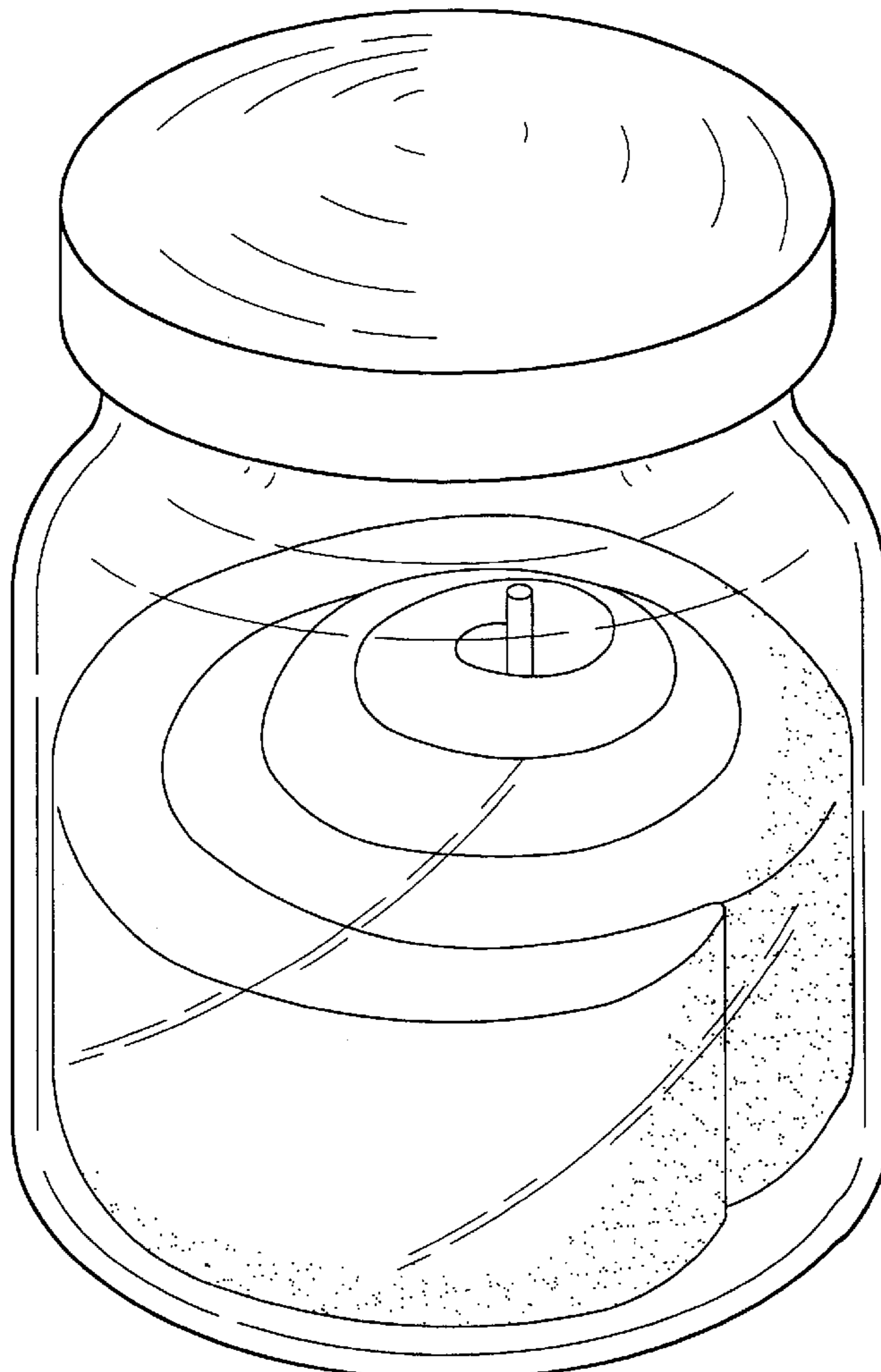
FIG. 5 is a bottom view of the candle in a container with a lid of the present invention.

(56) **References Cited**

U.S. PATENT DOCUMENTS

- D. 214,159 * 5/1969 Hart et al. D9/503
- D. 293,823 * 1/1988 Fieschi et al. D26/6
- D. 346,038 * 4/1994 Buttermann D26/6
- D. 426,326 * 6/2000 Dearth D26/7

1 Claim, 3 Drawing Sheets



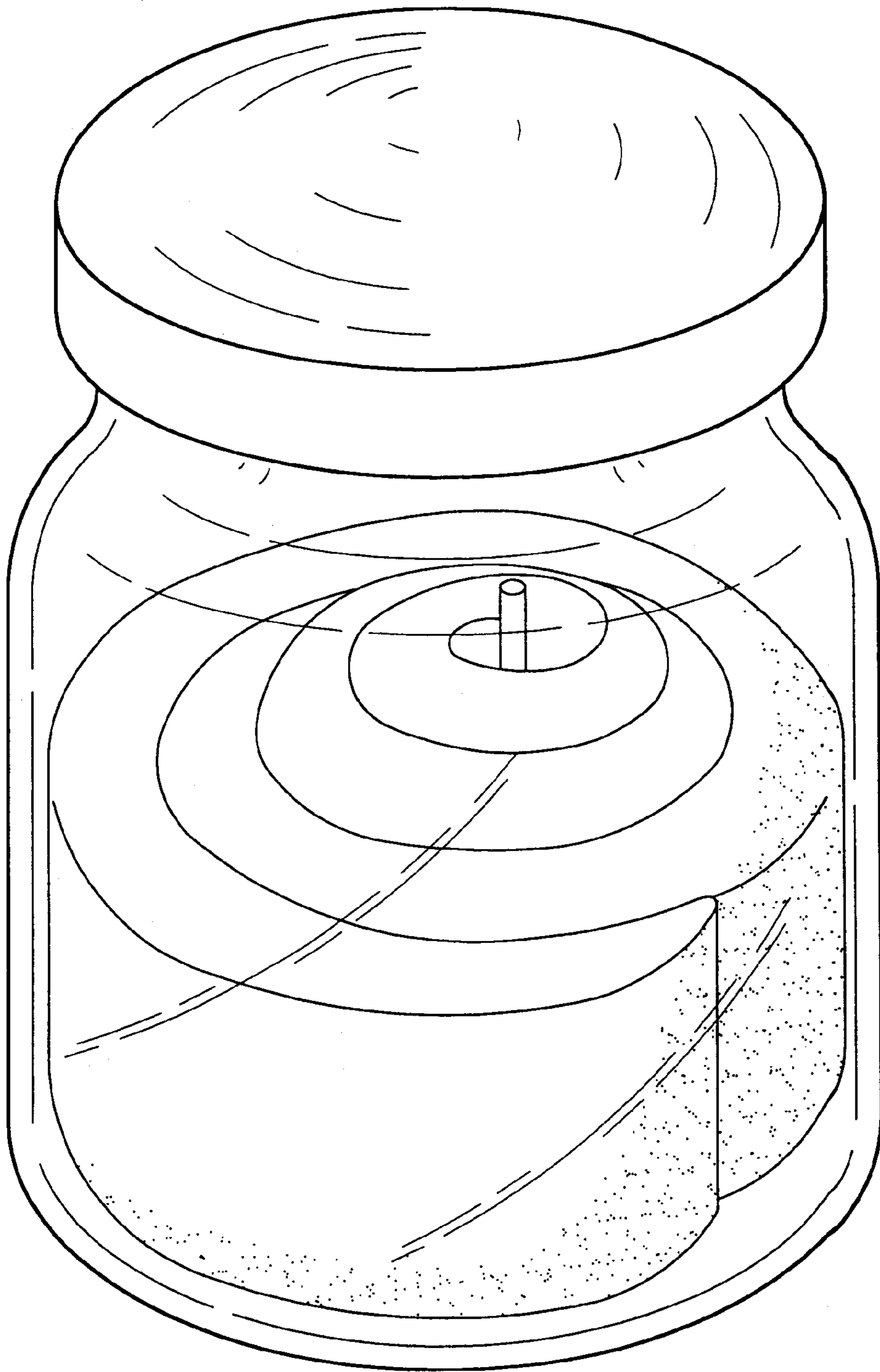


Fig. 1

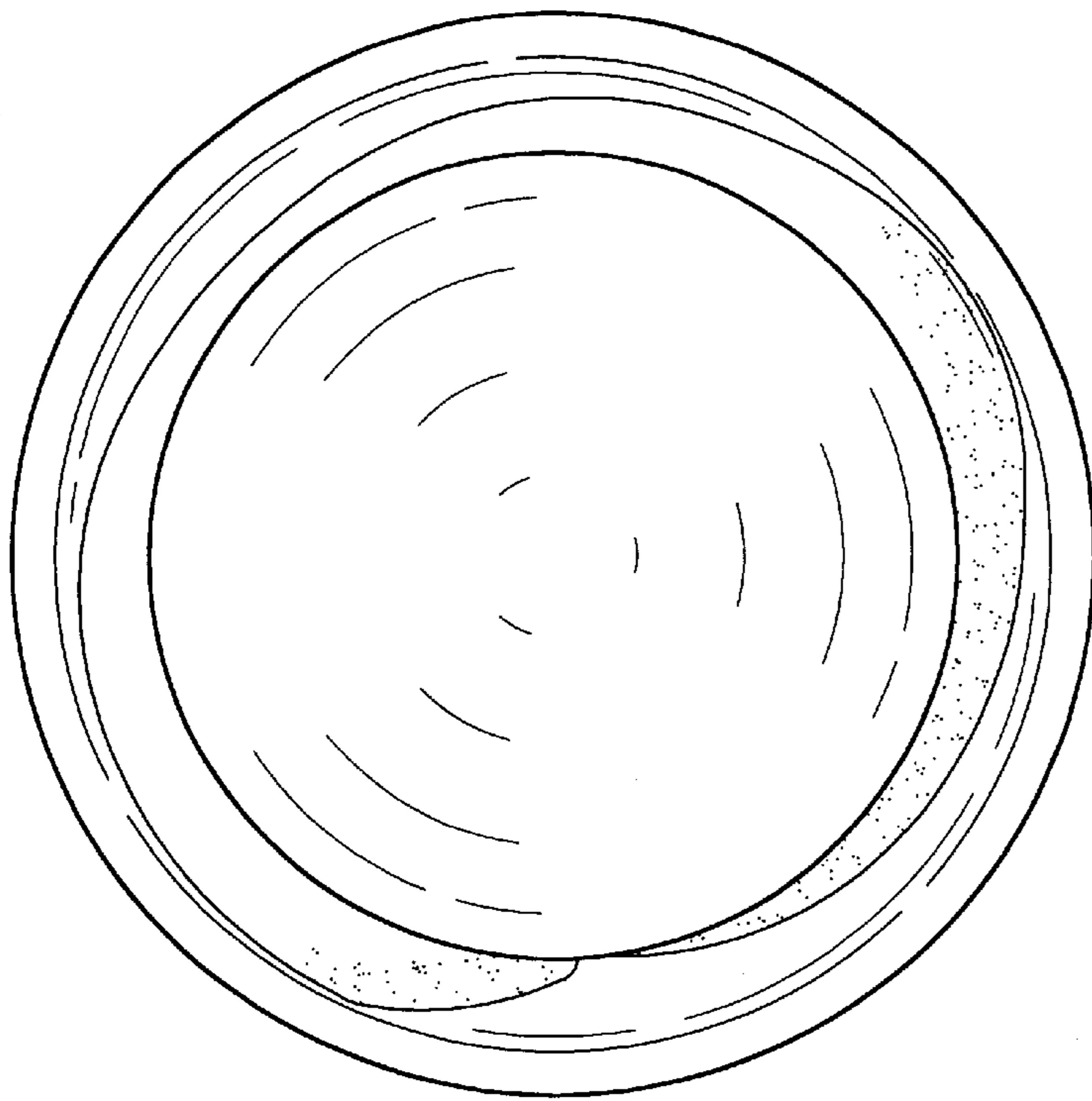


FIG-2

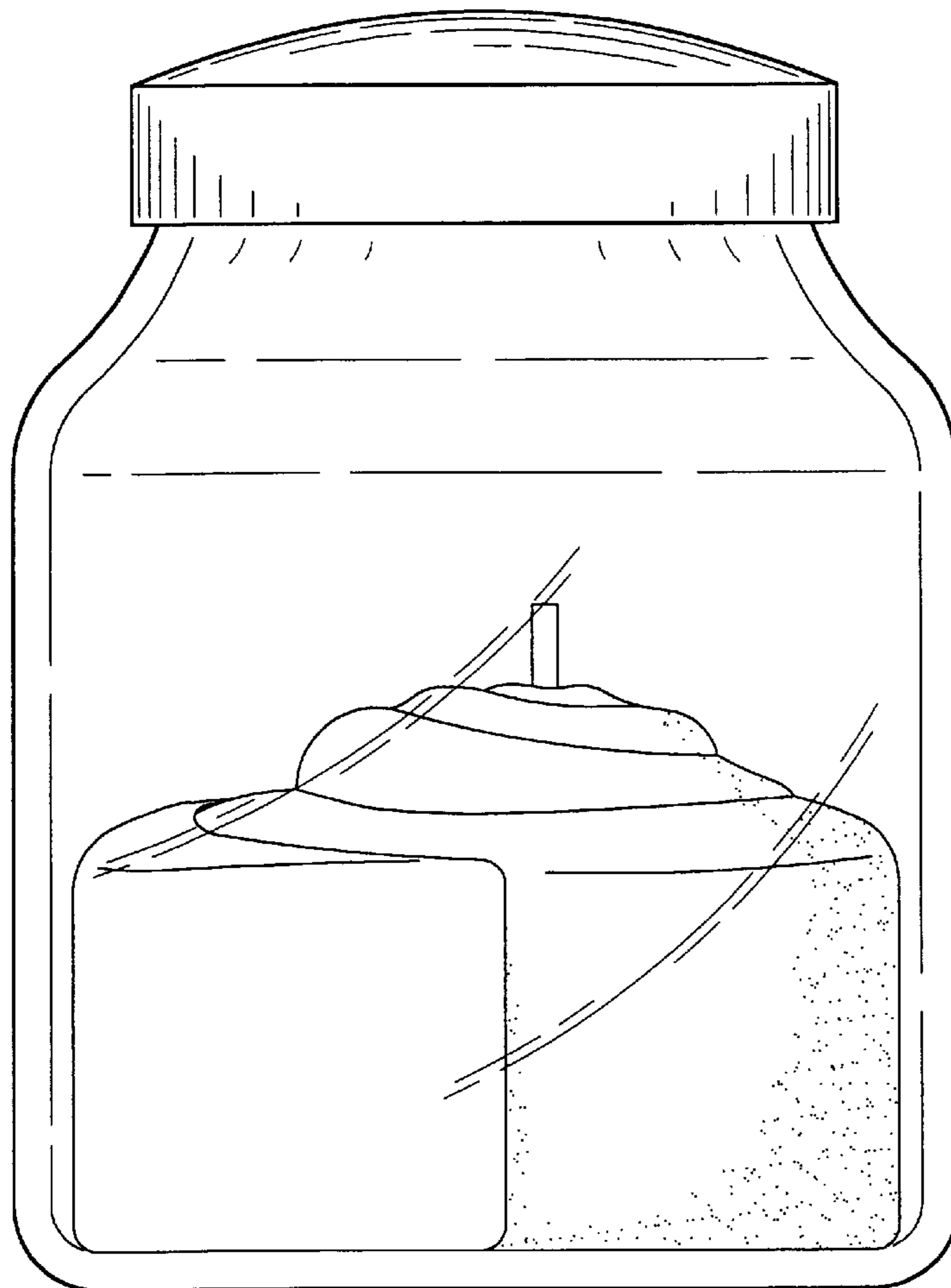


FIG-3

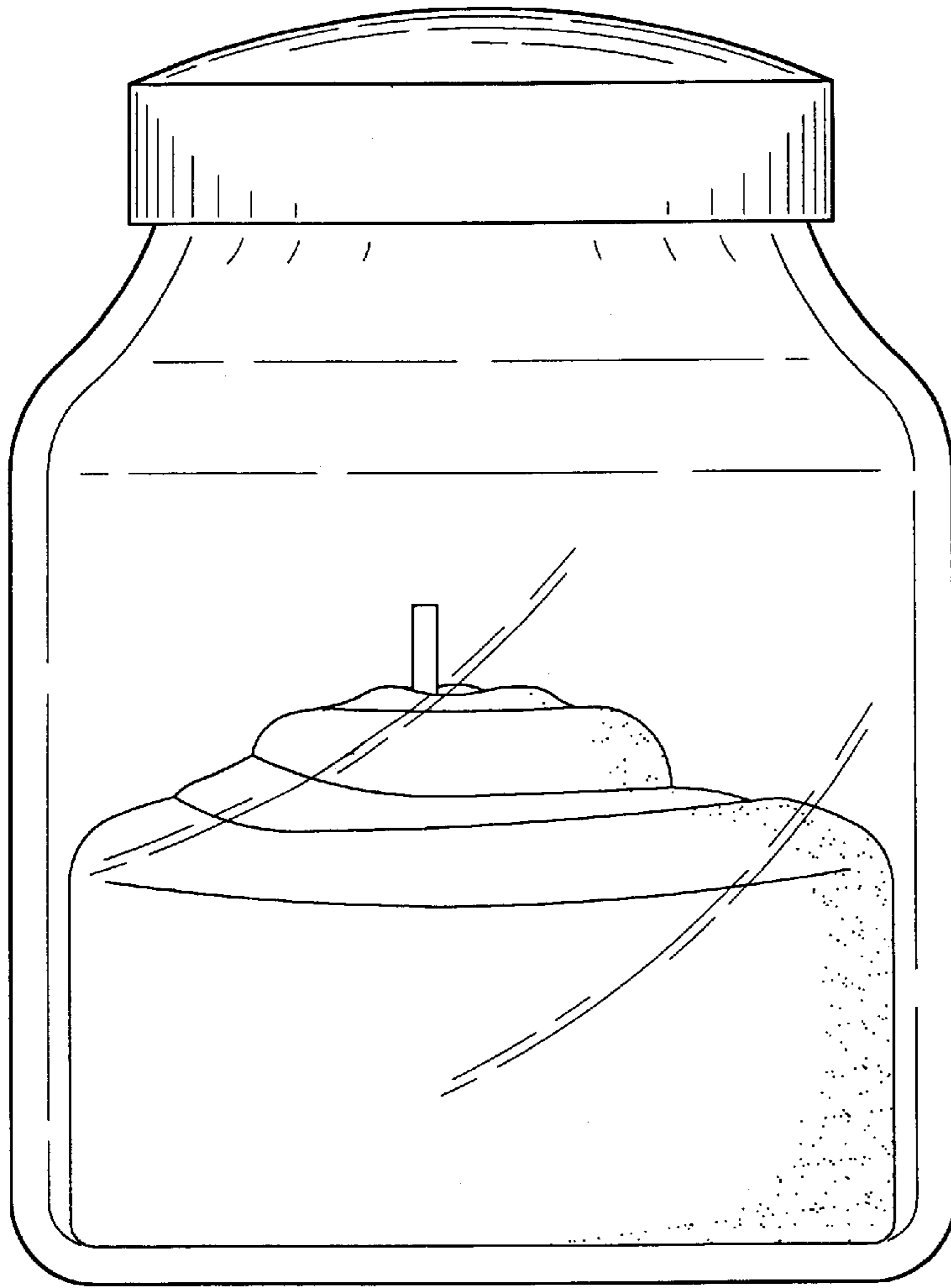


FIG-4

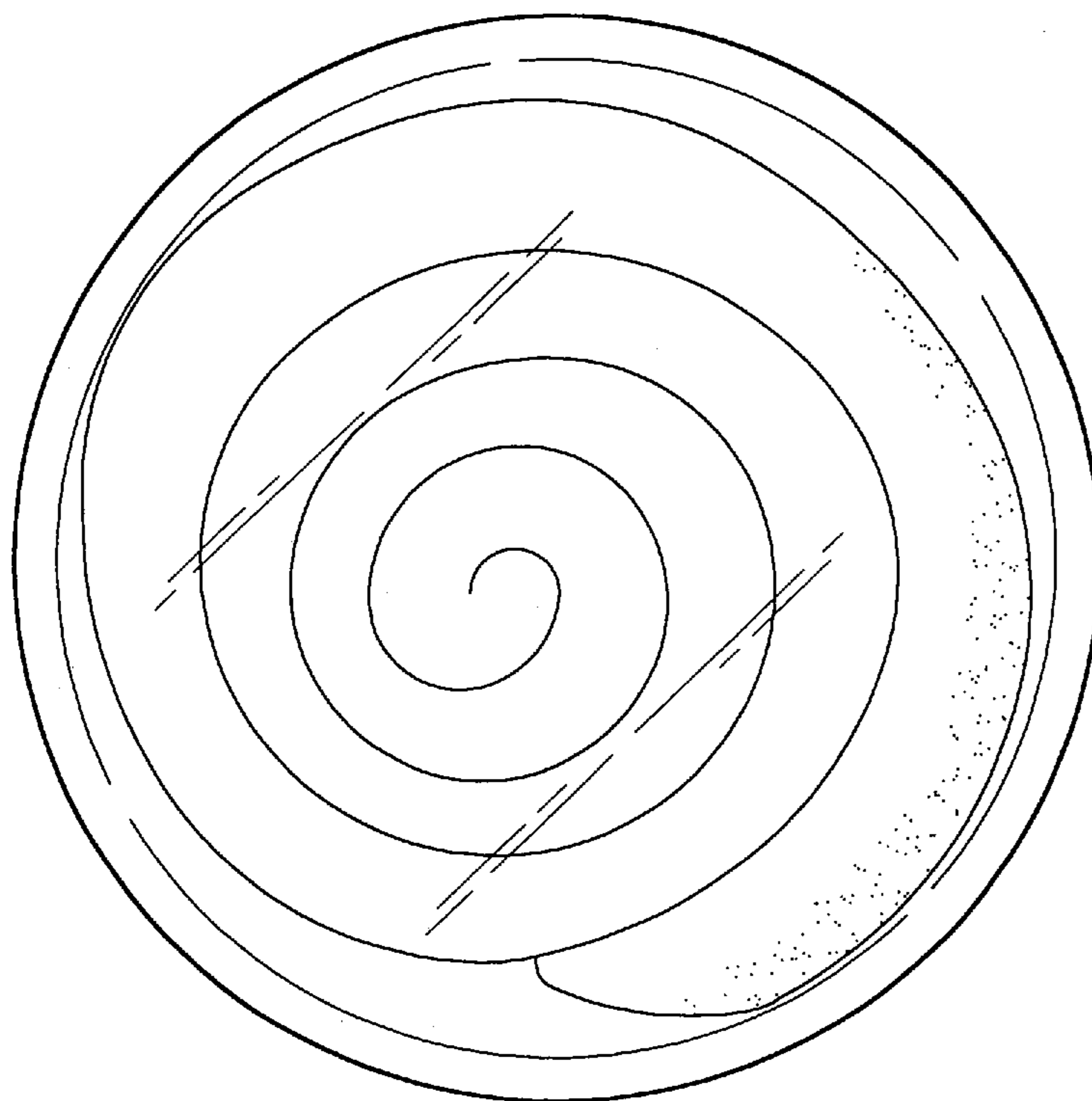


FIG-5