



US00D443078S

(12) **United States Design Patent**
Wilson

(10) **Patent No.:** **US D443,078 S**

(45) **Date of Patent:** **** May 29, 2001**

(54) **PREMIER S PANEL WITHOUT BRACKETS**

4,102,106 * 7/1978 Golder et al. 52/546

* cited by examiner

(75) **Inventor:** **Rick Wilson**, Forney, TX (US)

Primary Examiner—Doris Clark

(74) *Attorney, Agent, or Firm*—Jackson Walker L.L.P.

(73) **Assignee:** **Classic Industries, Inc.**, Forney, TX (US)

(57) **CLAIM**

(**) **Term:** **14 Years**

The ornamental design for a “premier S panel without brackets”, as shown and described.

(21) **Appl. No.:** **29/121,752**

DESCRIPTION

(22) **Filed:** **Apr. 12, 2000**

FIG. 1 is the top, right front perspective view of the premier S panel without brackets;

(51) **LOC (7) Cl.** **25-01**

FIG. 2 is the right side view thereof;

(52) **U.S. Cl.** **D25/141**

FIG. 3 is the left side view thereof;

(58) **Field of Search** D25/139, 141;
52/518, 519, 520, 543, 546, 552

FIG. 4 is the top view thereof;

FIG. 5 is the bottom view thereof;

(56) **References Cited**

FIG. 6 is the bottom, right rear perspective view thereof;

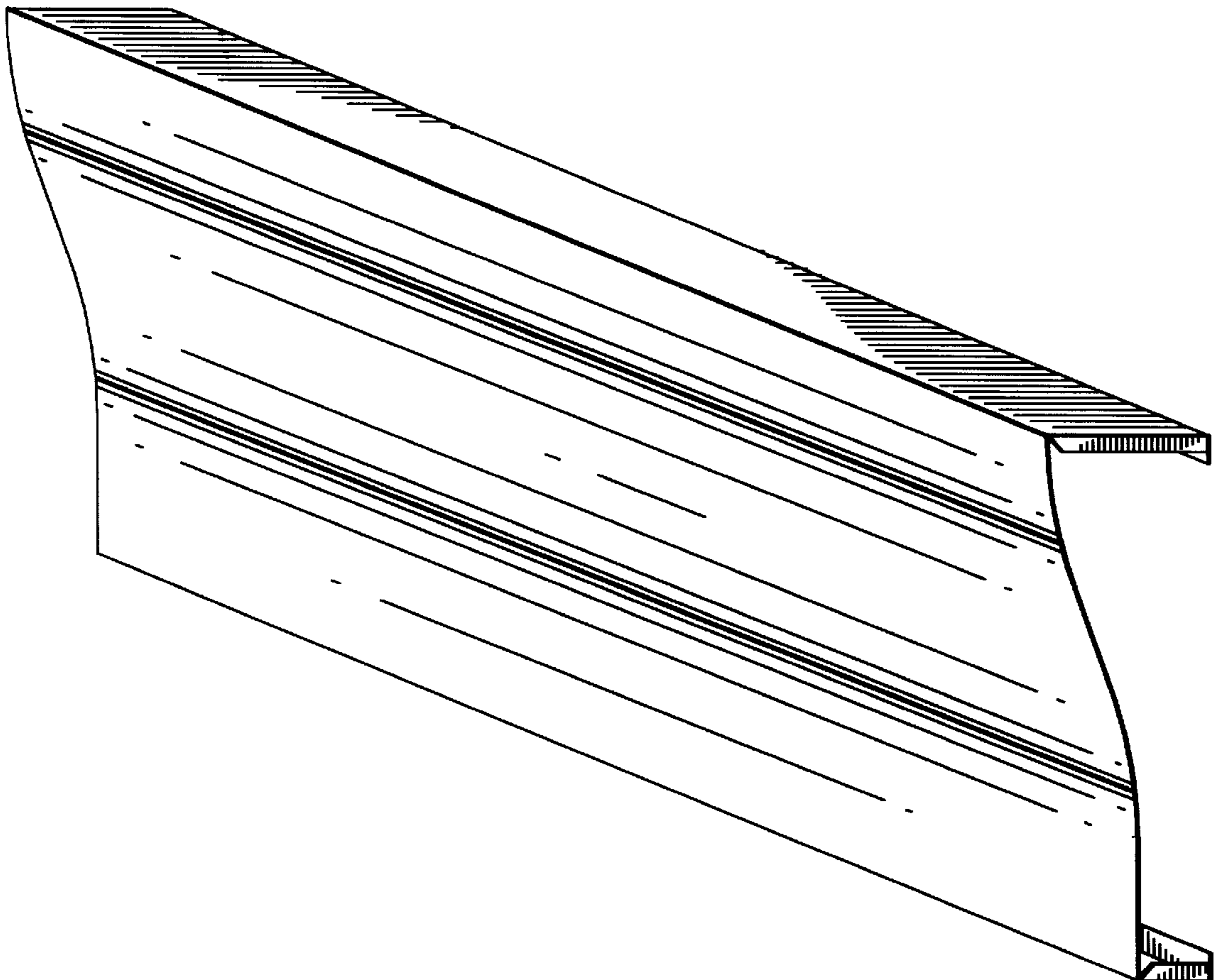
U.S. PATENT DOCUMENTS

and,

FIG. 7 is the rear view thereof.

D. 196,230 * 9/1963 Raftery D25/141

1 Claim, 2 Drawing Sheets



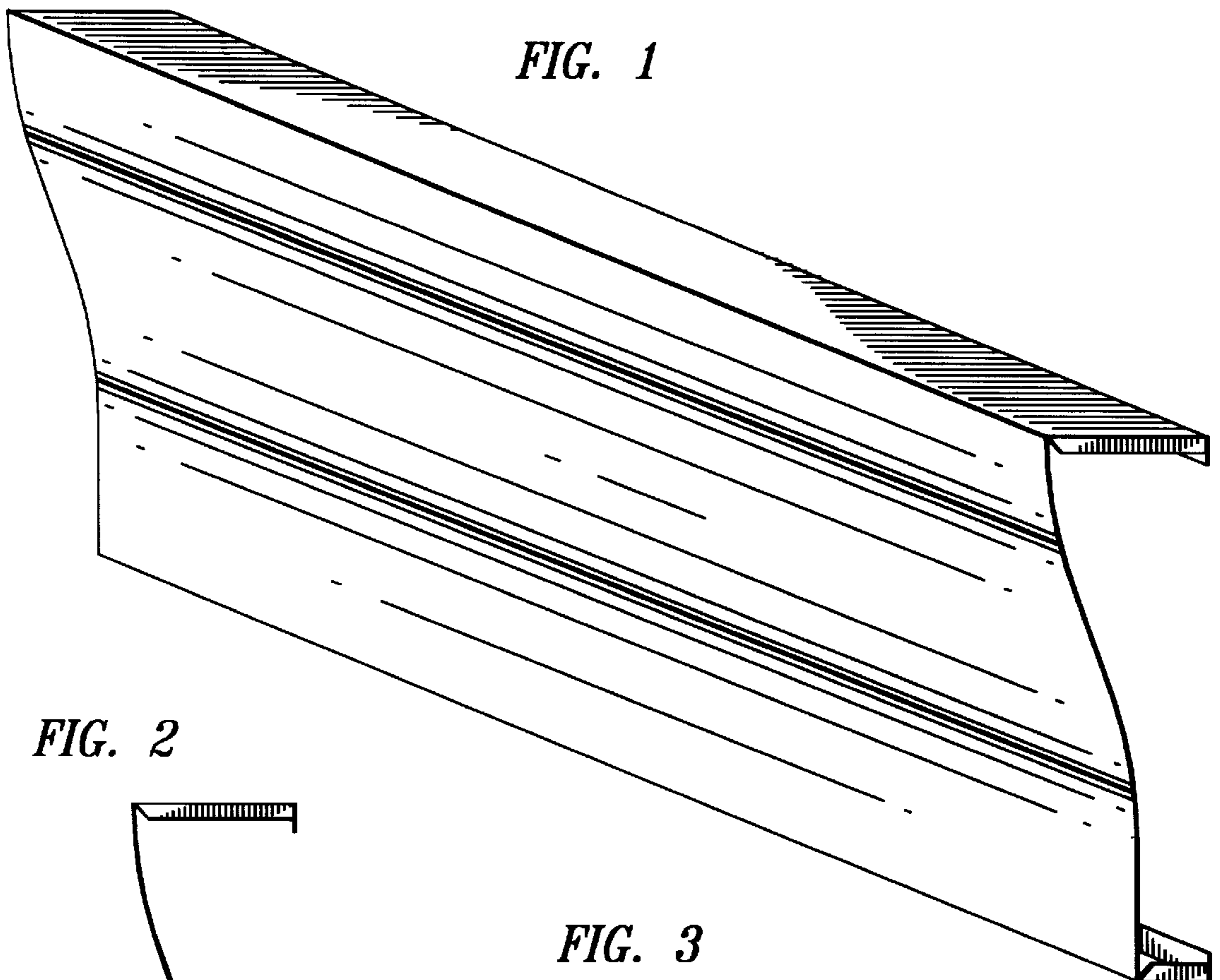


FIG. 2



FIG. 3



FIG. 4



FIG. 5

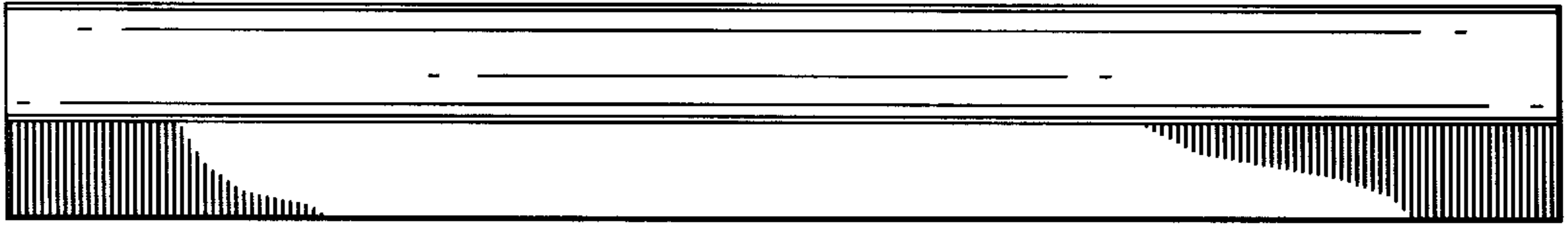


FIG. 6

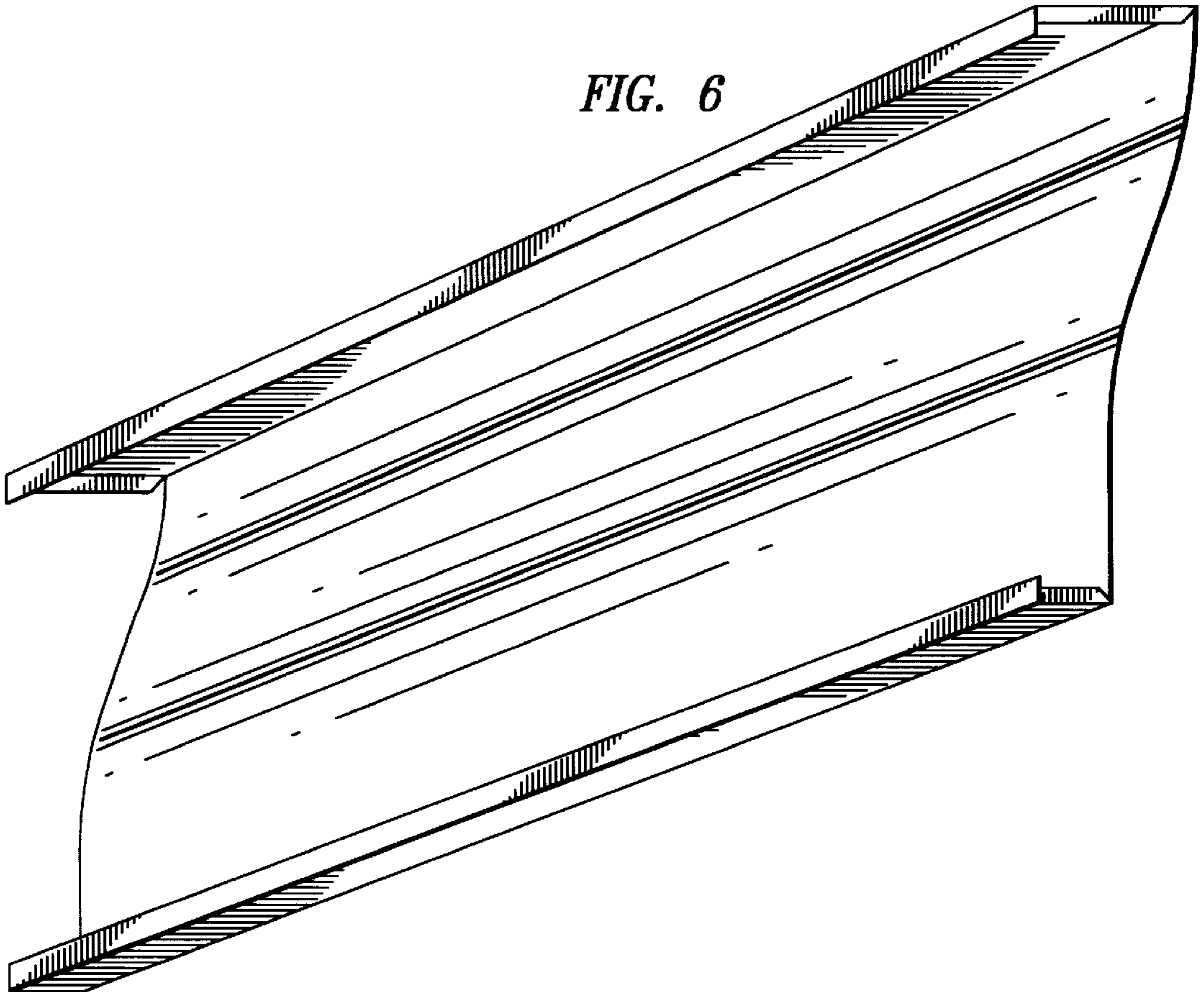


FIG. 7

