



US00D443077S

(12) **United States Design Patent**
DeBlock

(10) **Patent No.:** **US D443,077 S**

(45) **Date of Patent:** **** May 29, 2001**

(54) **FRAMING ELEMENT**

D. 286,193 * 10/1986 Bancroft D25/125

(75) Inventor: **David A. DeBlock**, Holland, MI (US)

* cited by examiner

(73) Assignee: **ODL, Incorporated**, Zeeland, MI (US)

Primary Examiner—Doris Clark

(**) Term: **14 Years**

(74) *Attorney, Agent, or Firm*—Warner Norcross & Judd LLP

(21) Appl. No.: **29/092,215**

(57) **CLAIM**

(22) Filed: **Aug. 14, 1998**

The ornamental design for framing element, as shown and described.

(51) **LOC (7) Cl.** **25-01**

(52) **U.S. Cl.** **D25/125**

(58) **Field of Search** D25/60, 119-125,
D25/52; 52/204.5; 49/501, 504, DIG. 1,
DIG. 2

DESCRIPTION

FIG. 1 is a front perspective view of the framing element embodying the new design, the element being broken to show indeterminate length; and,

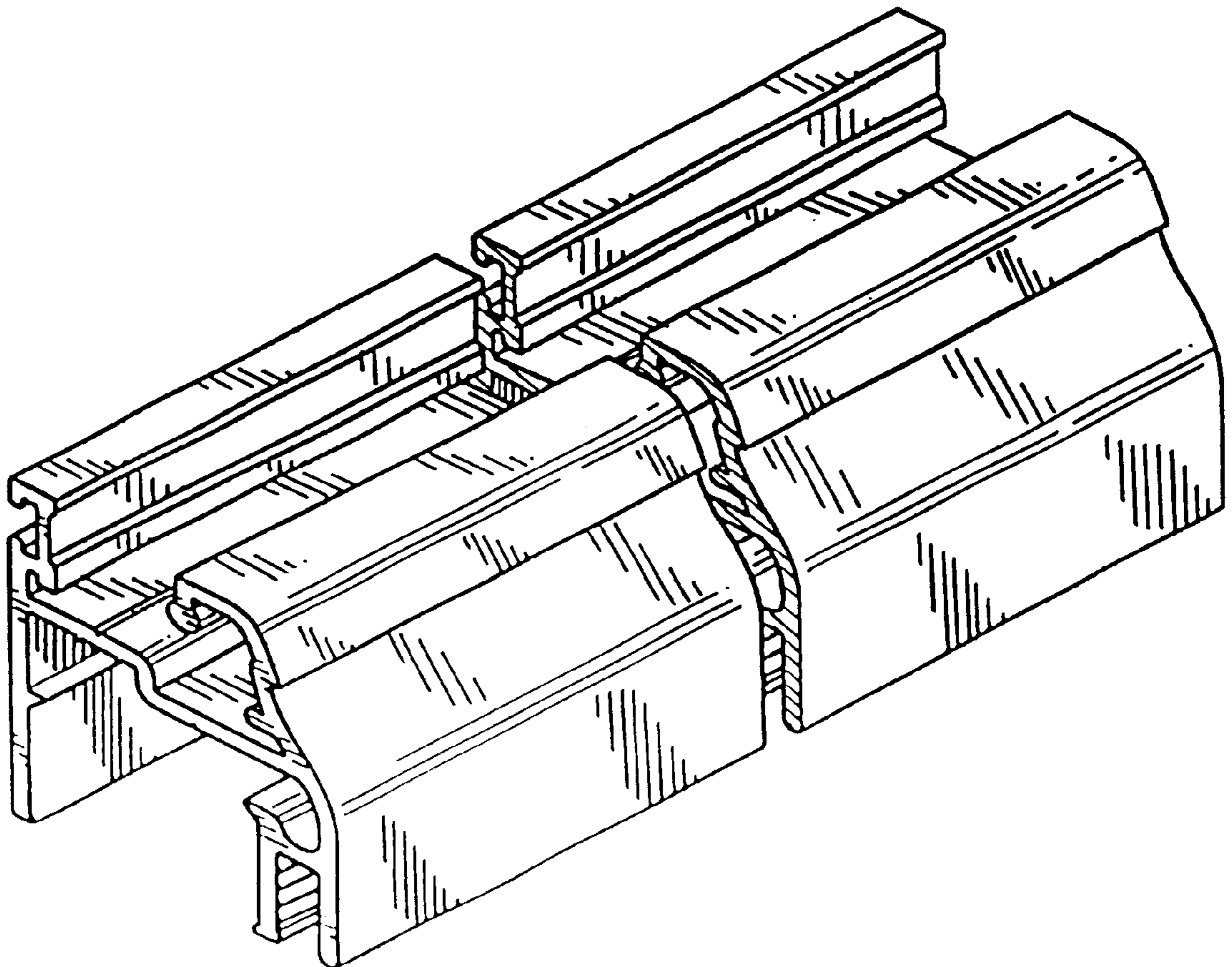
FIG. 2 is a sectional view of the central broken end of the framing element illustrated in FIG. 1.

(56) **References Cited**

U.S. PATENT DOCUMENTS

D. 253,131 * 10/1979 Broadbent D25/125

1 Claim, 1 Drawing Sheet



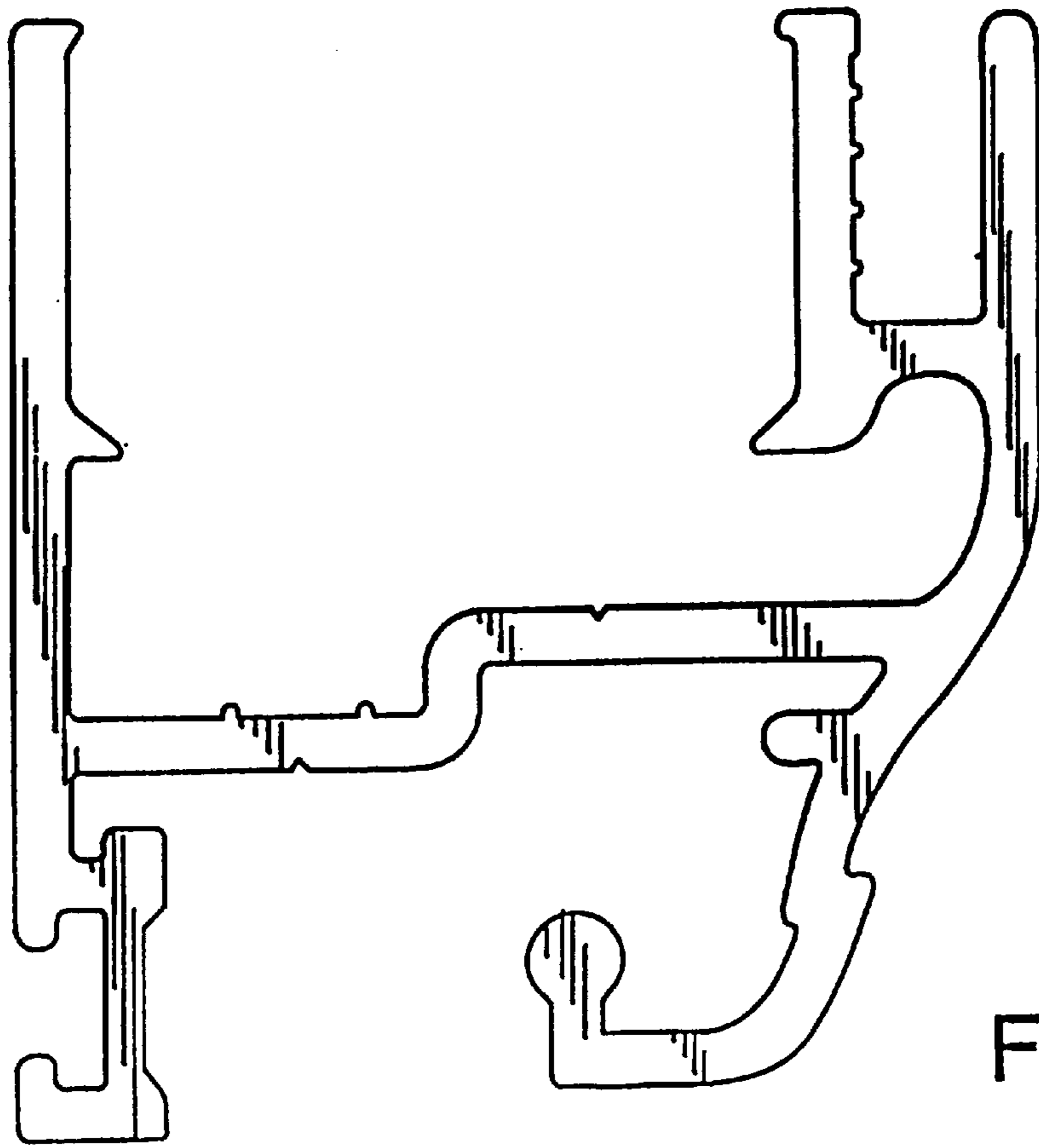


Fig. 2

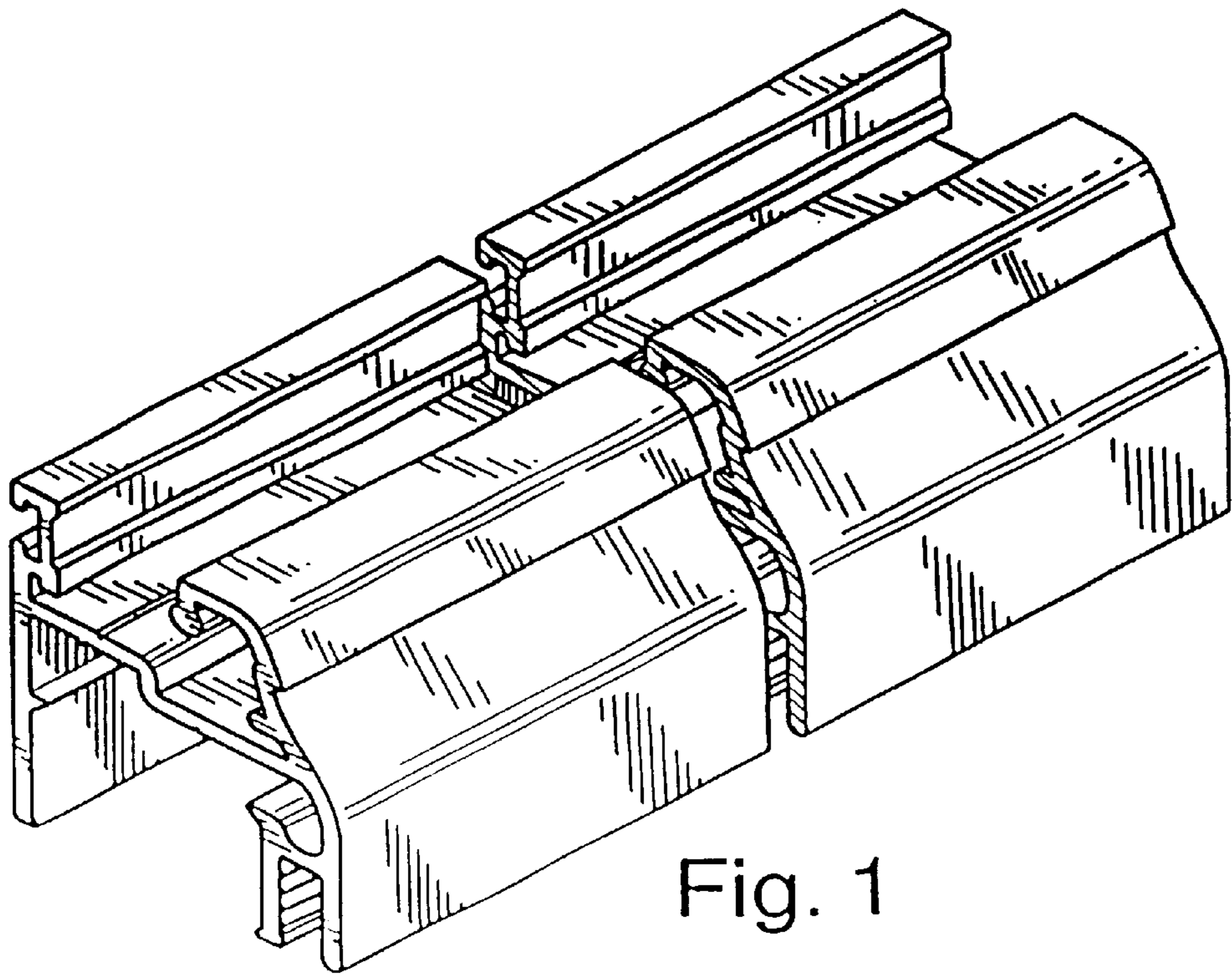


Fig. 1