



US00D443076S

(12) **United States Design Patent**
Fannan

(10) **Patent No.:** **US D443,076 S**

(45) **Date of Patent:** **** May 29, 2001**

(54) **WINDOW COMPONENT EXTRUSION**

D. 381,089 7/1997 Oliver .
D. 417,509 12/1999 Tyra .

(75) Inventor: **Michael R. Fannan**, Pecatonica, IL
(US)

OTHER PUBLICATIONS

(73) Assignee: **Mikron Industries, Inc.**, Kent, WA
(US)

Mikron Industries, Inc. Part No. 7361. (First sold: Feb. 24, 1997).

(**) Term: **14 Years**

* cited by examiner

(21) Appl. No.: **29/123,841**

Primary Examiner—Doris Clark

(22) Filed: **May 24, 2000**

(74) *Attorney, Agent, or Firm*—Richardson & Folise

(51) **LOC (7) Cl.** **25-01**

(52) **U.S. Cl.** **D25/124**

(58) **Field of Search** D25/52, 60, 119-125;
49/DIG. 2, 504, 505, 404, 413, 419, 407-408;
52/204.56, 204.51, 230.3, 205.1, 202, 730.5,
731, 732, 738, 204.5

CLAIM

The ornamental design for a window component extrusion, as shown and described.

DESCRIPTION

(56) **References Cited**

FIG. 1 is a top right isometric view of the window component extrusion which is broken in the center indicating indefinite length; and, FIG. 2 is a bottom left isometric view of the window component extrusion which is broken in the center indicating indefinite length.

U.S. PATENT DOCUMENTS

D. 362,732 * 9/1995 Franson D25/124

1 Claim, 1 Drawing Sheet

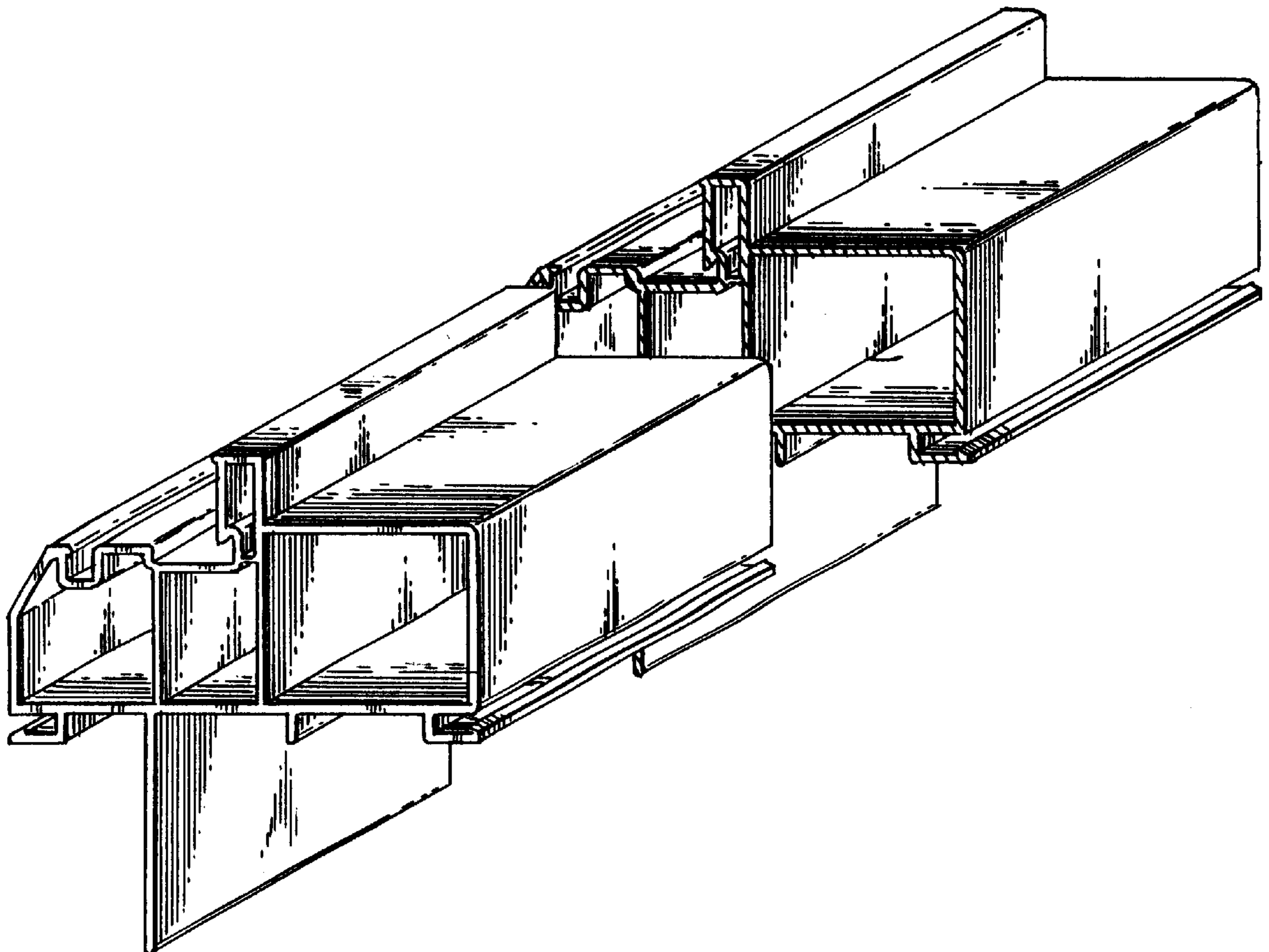


FIG.1

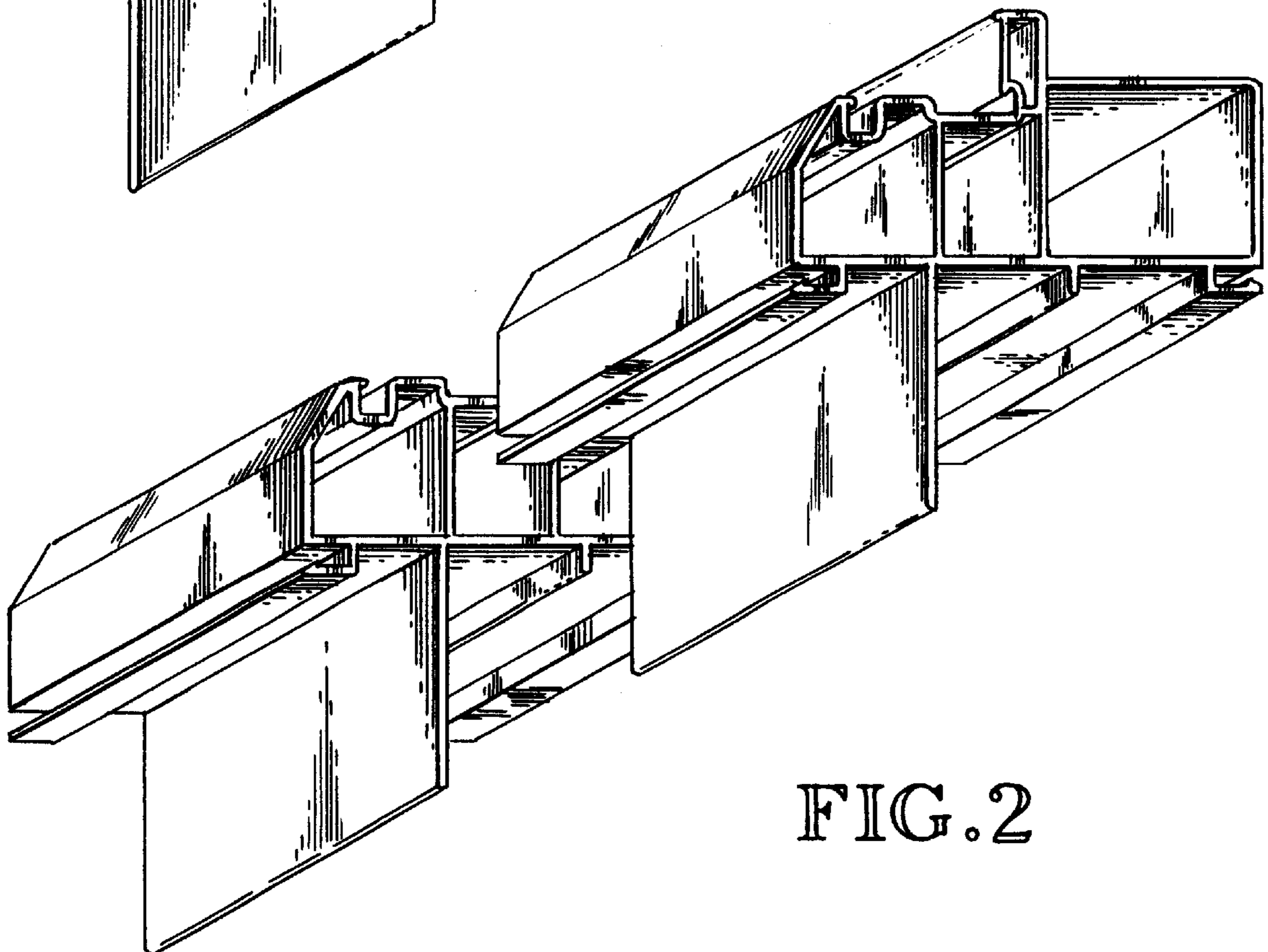
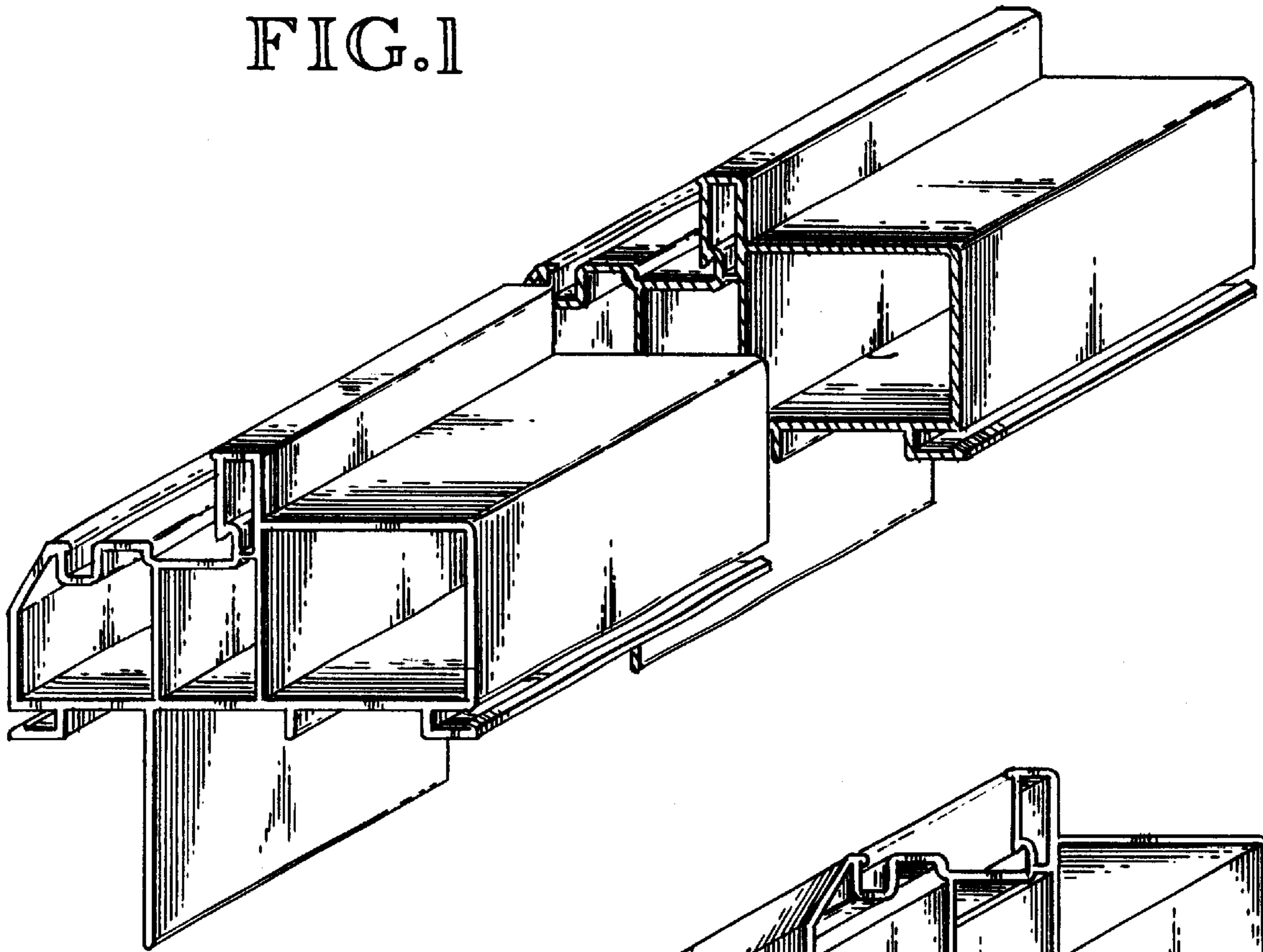


FIG.2