



US00D443075S

(12) **United States Design Patent**
Goss

(10) **Patent No.:** **US D443,075 S**

(45) **Date of Patent:** **** May 29, 2001**

(54) **WINDOW COMPONENT EXTRUSION**

D. 400,269 * 10/1998 Franson D25/124
D. 405,894 2/1999 Oliver .

(75) Inventor: **Lorane Goss**, Slippery Rock, PA (US)

* cited by examiner

(73) Assignee: **Mikron Industries, Inc.**, Kent, WA (US)

Primary Examiner—Doris Clark

(**) Term: **14 Years**

(74) *Attorney, Agent, or Firm*—Richardson & Folise

(21) Appl. No.: **29/122,915**

(57) **CLAIM**

(22) Filed: **May 5, 2000**

The ornamental design for a window component extrusion, as shown and described.

(51) **LOC (7) Cl.** **25-01**

DESCRIPTION

(52) **U.S. Cl.** **D25/124**

(58) **Field of Search** D25/52, 60, 119-125;
49/DIG. 2, 504, 505, 404, 413, 419, 407-408;
52/204.56, 204.51, 230.3, 205.1, 202, 730.5,
731, 732, 738, 204.5

FIG. 1 is a top right isometric view of the window component extrusion which is broken in the center indicating indefinite length; and,

FIG. 2 is a bottom left isometric view of the window component extrusion which is broken in the center indicating indefinite length.

(56) **References Cited**

U.S. PATENT DOCUMENTS

D. 366,328 1/1996 Oliver .

1 Claim, 1 Drawing Sheet

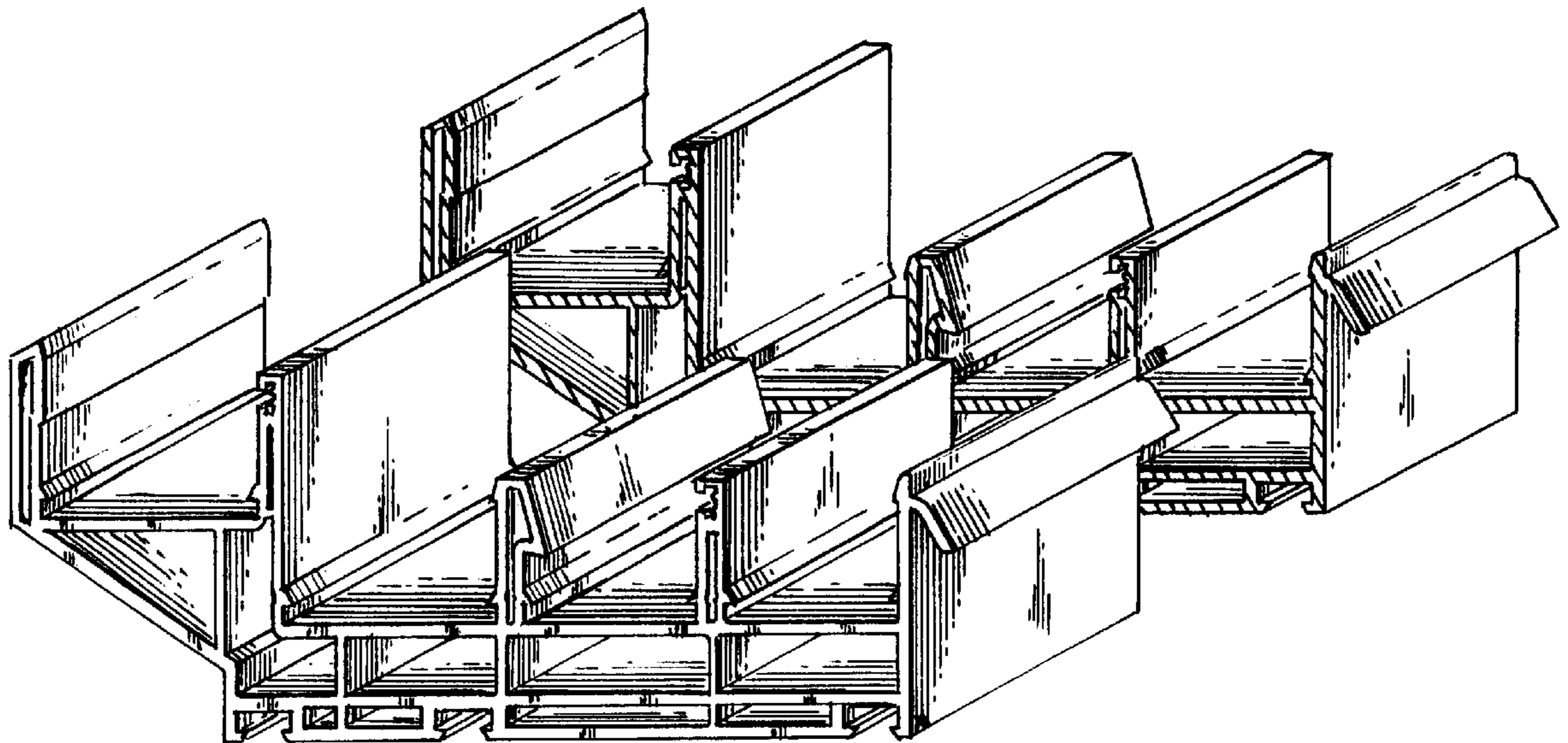


FIG. 1

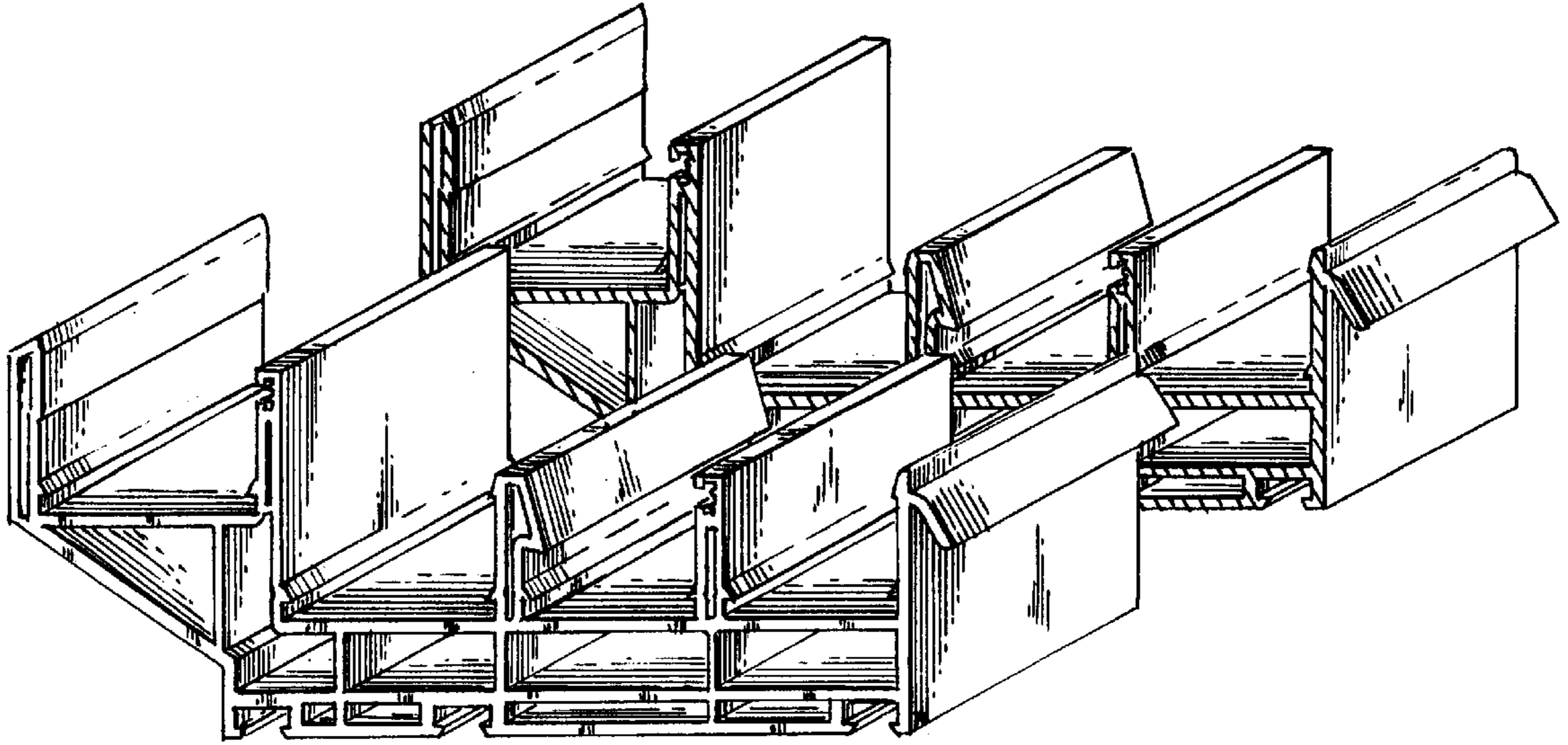


FIG. 2

