



US00D443068S

(12) **United States Design Patent**  
**Manusu et al.**

(10) **Patent No.:** **US D443,068 S**

(45) **Date of Patent:** **\*\* May 29, 2001**

(54) **GEL CASSETTE**

5,543,023 \* 8/1996 Lugojan ..... 204/618  
5,569,369 \* 10/1996 Leffler et al. .... 204/618  
5,989,403 \* 11/1999 Provonchee ..... 204/619

(75) Inventors: **Howard Pericles Manusu**, Hunters Hill; **Joel Margolis**, Greenwich; **Anthony Ellwood**; **Grace Yim Ngan Chan**, both of North Ryde, all of (AU)

\* cited by examiner

(73) Assignee: **Gradipore Limited**, North Ryde (AU)

*Primary Examiner*—Ian Simmons

(\*\*) Term: **14 Years**

(74) *Attorney, Agent, or Firm*—Akin, Gump, Strauss, Hauer & Feld, LLP

(21) Appl. No.: **29/121,396**

(22) Filed: **Apr. 6, 2000**

(57) **CLAIM**

The ornamental design for a gel cassette, as shown and described.

(30) **Foreign Application Priority Data**

**DESCRIPTION**

Feb. 21, 2000 (AU) ..... 507/2000

FIG. 1 is a perspective view of a gel cassette showing our new design;

(51) **LOC (7) Cl.** ..... **24-02**

FIG. 2 is a front view of a gel cassette shown in FIG. 1;

(52) **U.S. Cl.** ..... **D24/223**

FIG. 3 is a plan view of a gel cassette shown in FIG. 1;

(58) **Field of Search** ..... D24/233; 204/619, 204/618, 616

FIG. 4 is an inverted plan view of a gel cassette shown in FIG. 1;

(56) **References Cited**

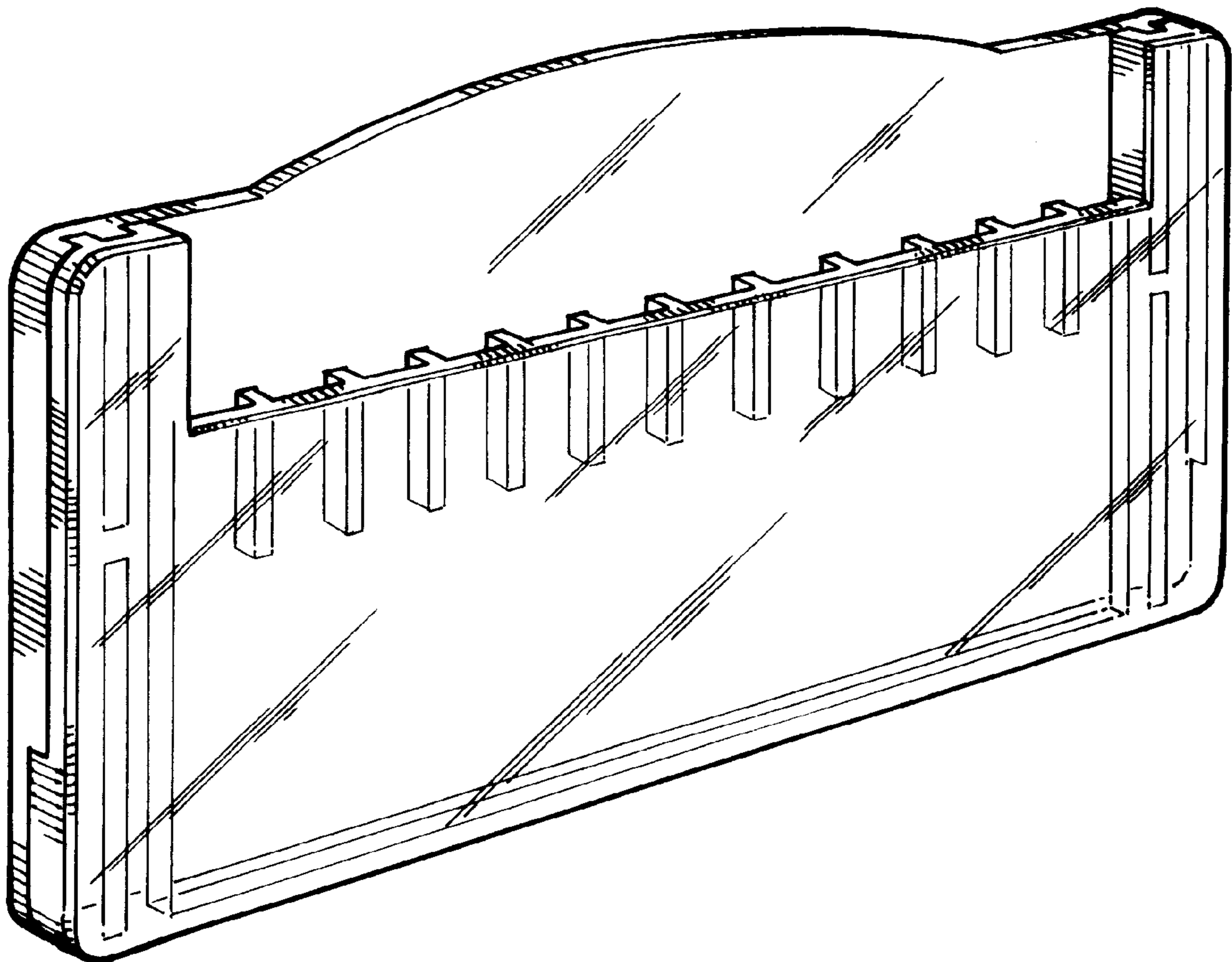
FIG. 5 is a rear view of a gel cassette shown in FIG. 1; and,

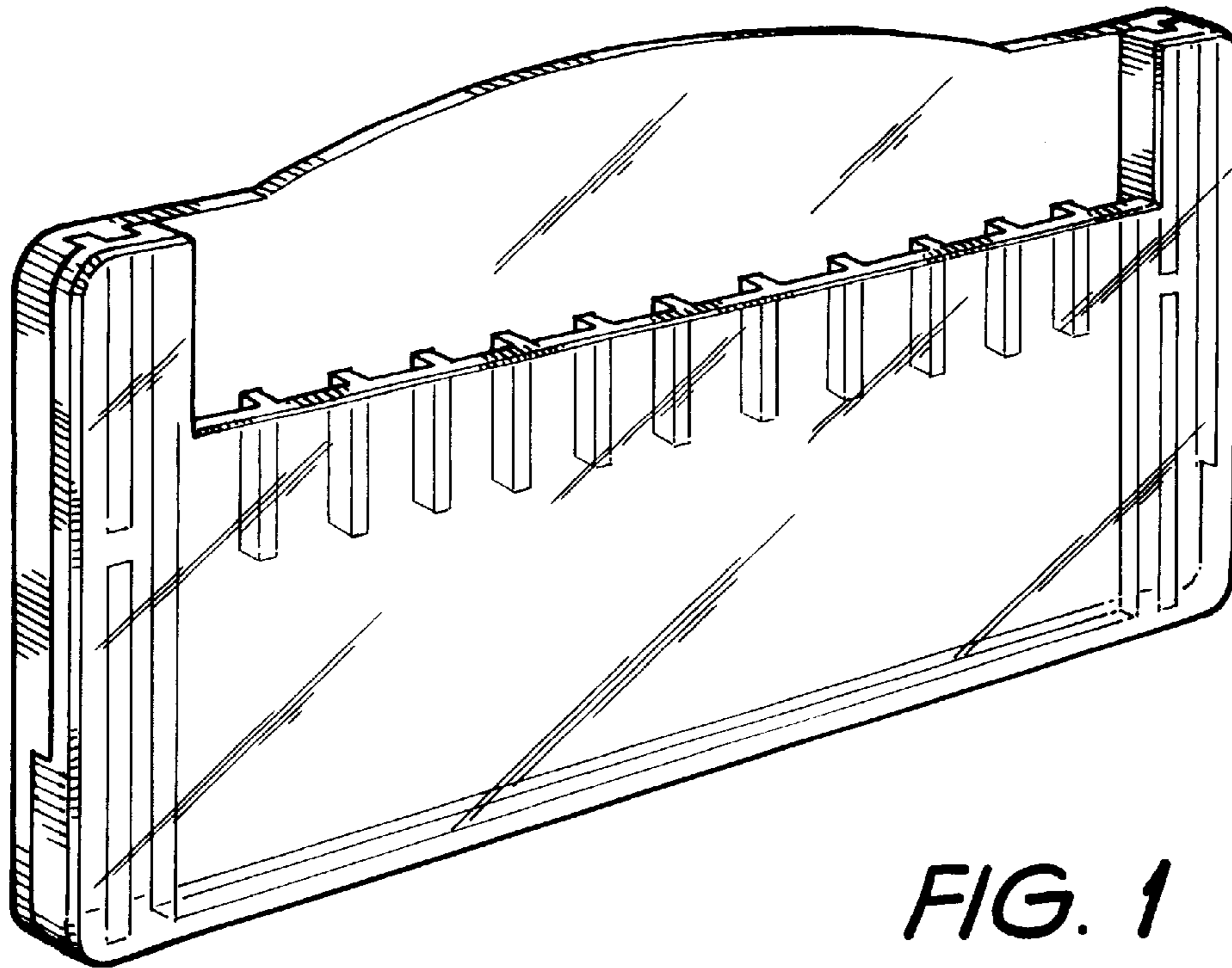
FIG. 6 is a side view of a gel cassette shown in FIG. 1.

**U.S. PATENT DOCUMENTS**

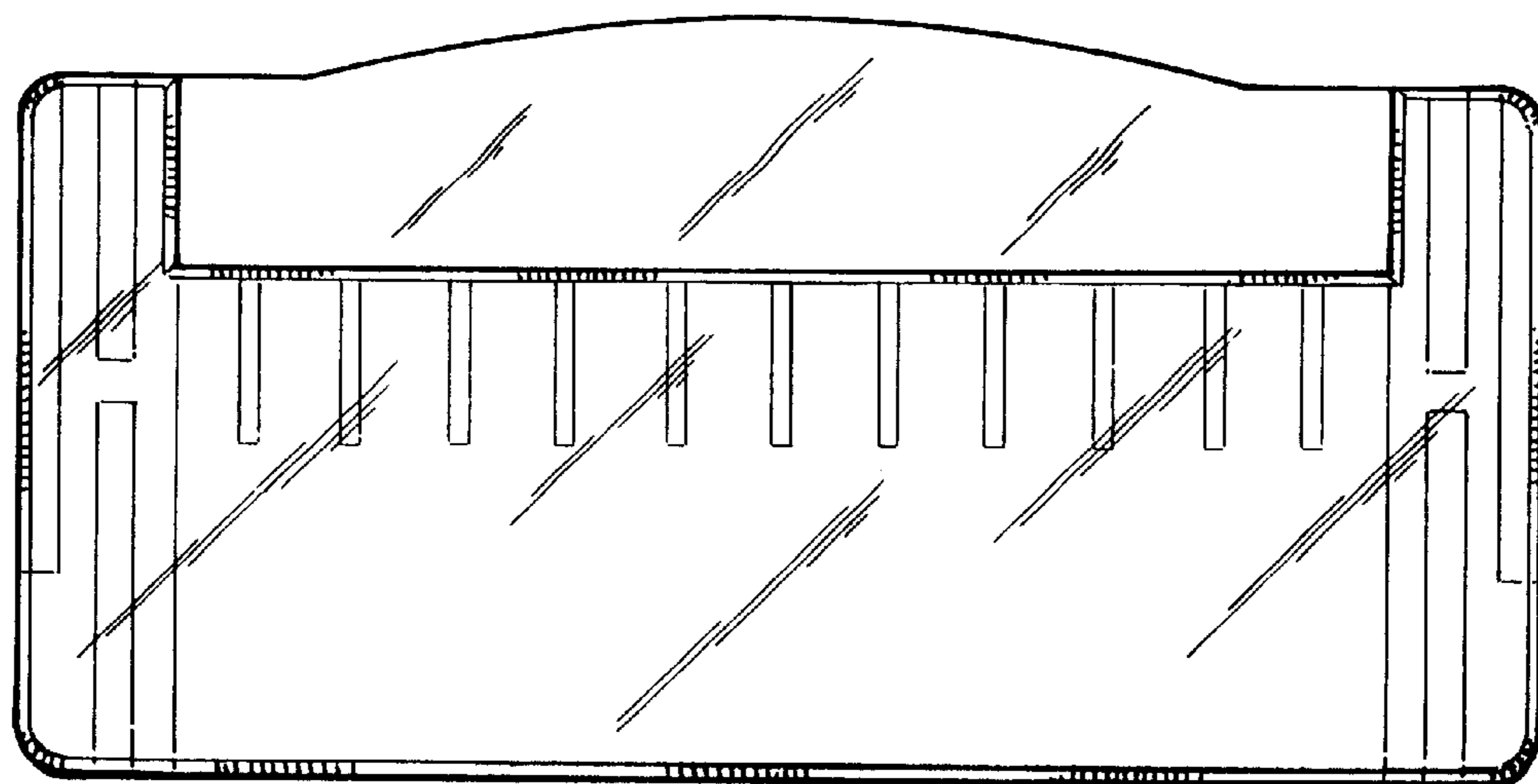
5,411,657 \* 5/1995 Leka ..... 204/618

**1 Claim, 2 Drawing Sheets**





*FIG. 1*



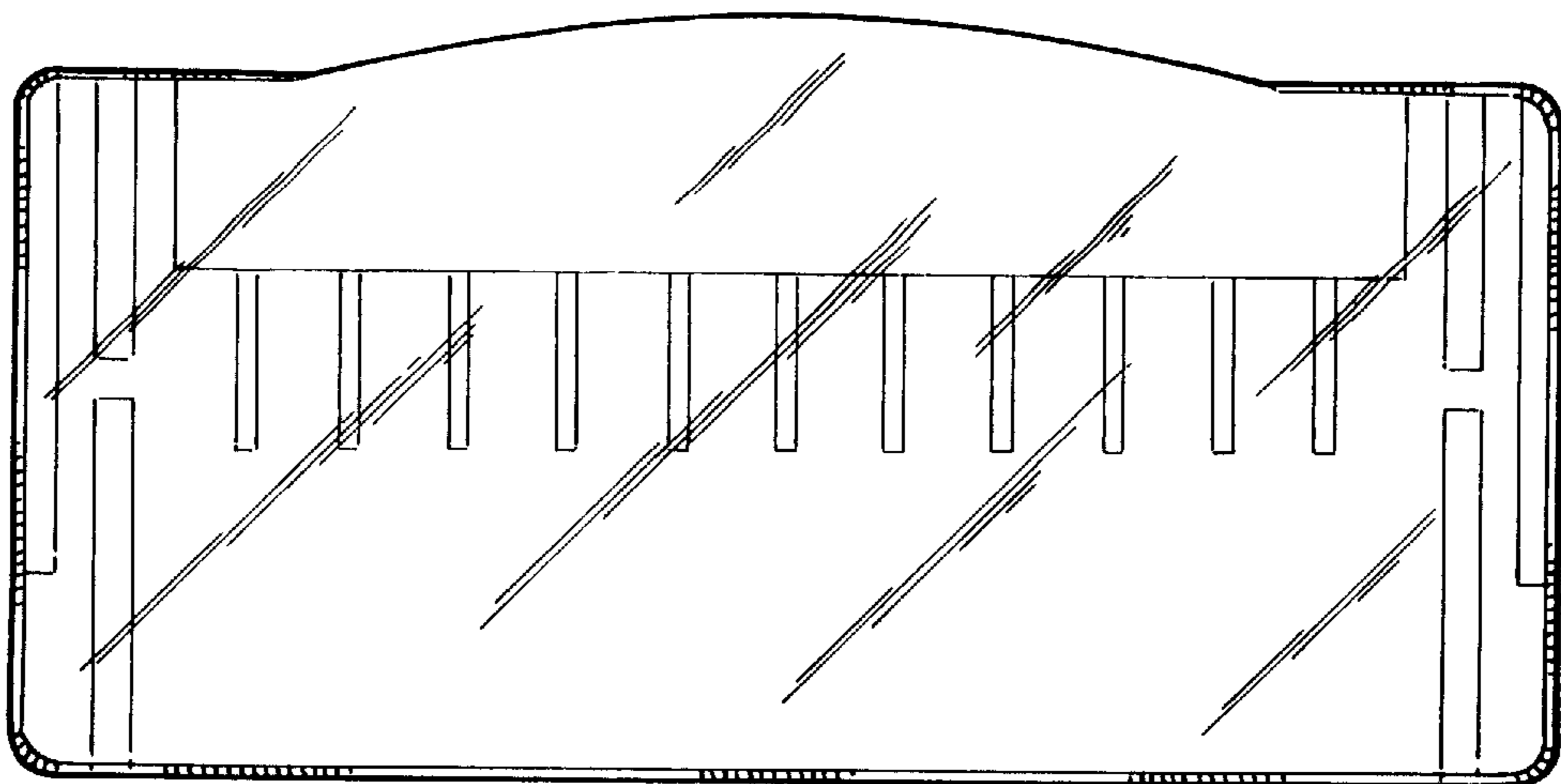
*FIG. 2*



*FIG. 3*



*FIG. 4*



*FIG. 5*



*FIG. 6*