



US00D443064S

(12) **United States Design Patent**  
**Persson**

(10) **Patent No.:** **US D443,064 S**

(45) **Date of Patent:** **\*\* May 29, 2001**

(54) **FOOT DEVICE**

5,891,002 \* 4/1999 Maki ..... 482/79

(76) Inventor: **Karl-Enar Persson**, Kusmarksliden 41,  
934 93 Kusmark (SE)

\* cited by examiner

(\*\*) Term: **14 Years**

*Primary Examiner*—Stella Reid

(74) *Attorney, Agent, or Firm*—Fasth Law Offices; Rolf  
Fasth

(21) Appl. No.: **29/131,261**

(57) **CLAIM**

(22) Filed: **Oct. 17, 2000**

The ornamental design for a foot device, as shown and  
described.

(30) **Foreign Application Priority Data**

Apr. 18, 2000 (SE) ..... 00-0767

**DESCRIPTION**

(51) **LOC (7) Cl.** ..... **24-01**

FIG. 1 is a perspective view of the foot device of the present  
invention;

(52) **U.S. Cl.** ..... **D24/188; D24/200; D24/212**

FIG. 2 is a top view of the foot device shown in FIG. 1;

(58) **Field of Search** ..... D24/200, 212,

FIG. 3 is an elevational rear view of the foot device shown  
in FIG. 1;

D24/213, 188; 601/27, 28–30, 23; 482/79,  
80

FIG. 4 is an elevational front view of the foot device shown  
in FIG. 1;

(56) **References Cited**

FIG. 5 is a bottom view of the foot device shown in FIG. 1;

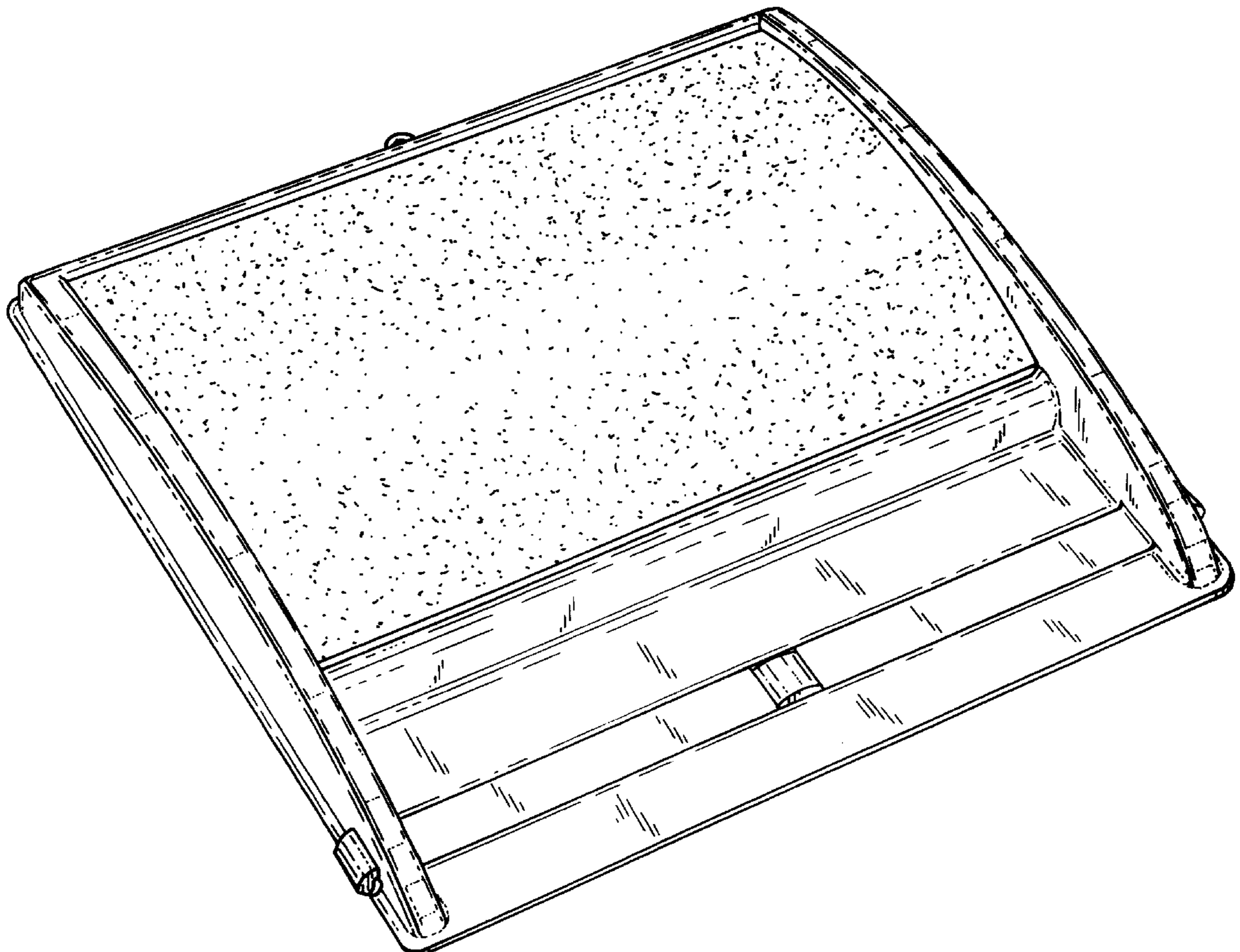
**U.S. PATENT DOCUMENTS**

FIG. 6 is an elevational left side view of the foot device  
shown in FIG. 1; and,

- D. 136,905 \* 12/1943 Jeffreys ..... D24/212
- D. 204,852 \* 5/1966 Grube ..... D24/213
- D. 289,684 \* 5/1987 Kawashima ..... D24/212
- 1,664,664 \* 4/1928 Crum ..... 482/79
- 4,501,421 \* 2/1985 Kane et al. .... 482/80

FIG. 7 is an elevational right side view of the foot device  
shown in FIG. 1.

**1 Claim, 3 Drawing Sheets**



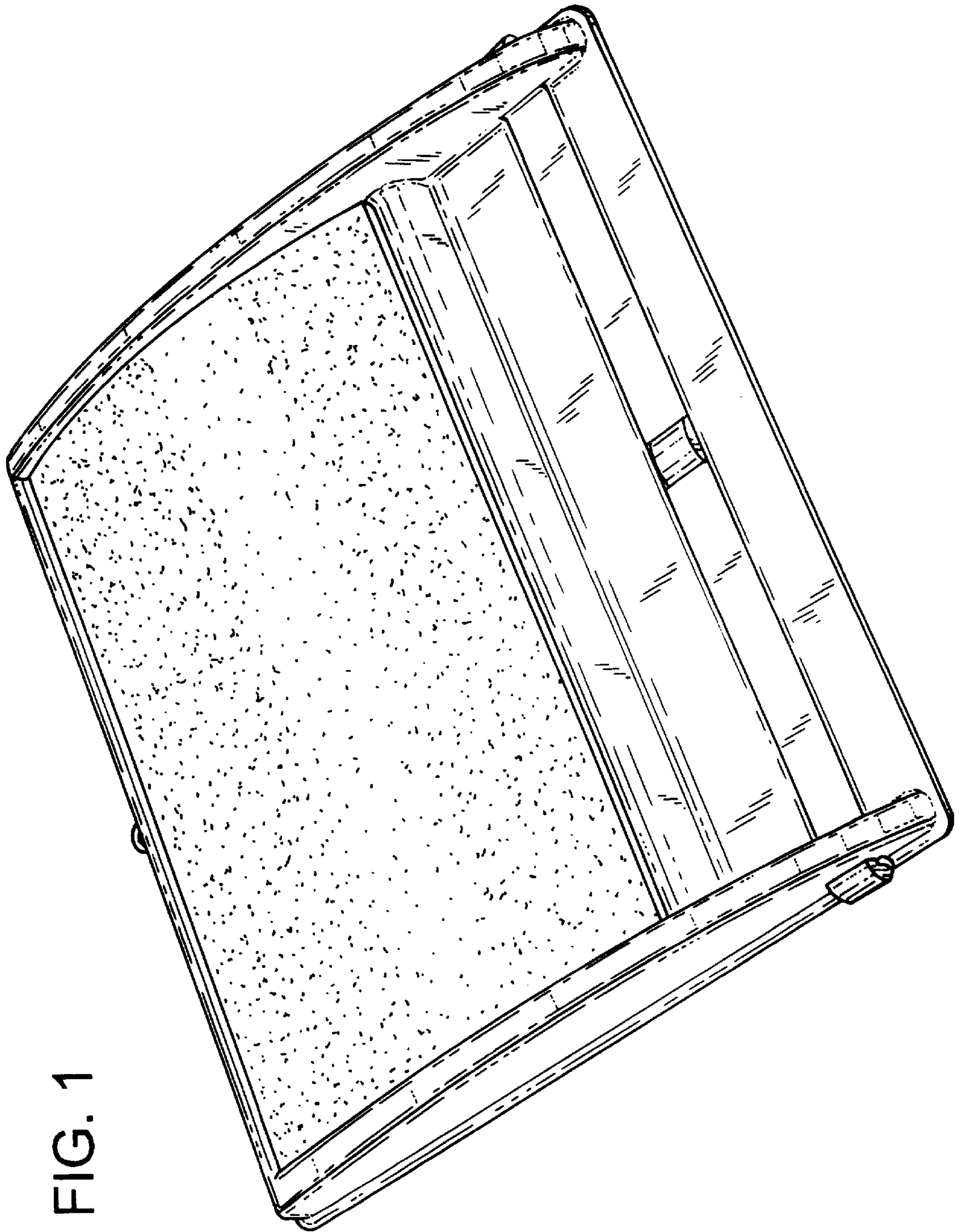


FIG. 1

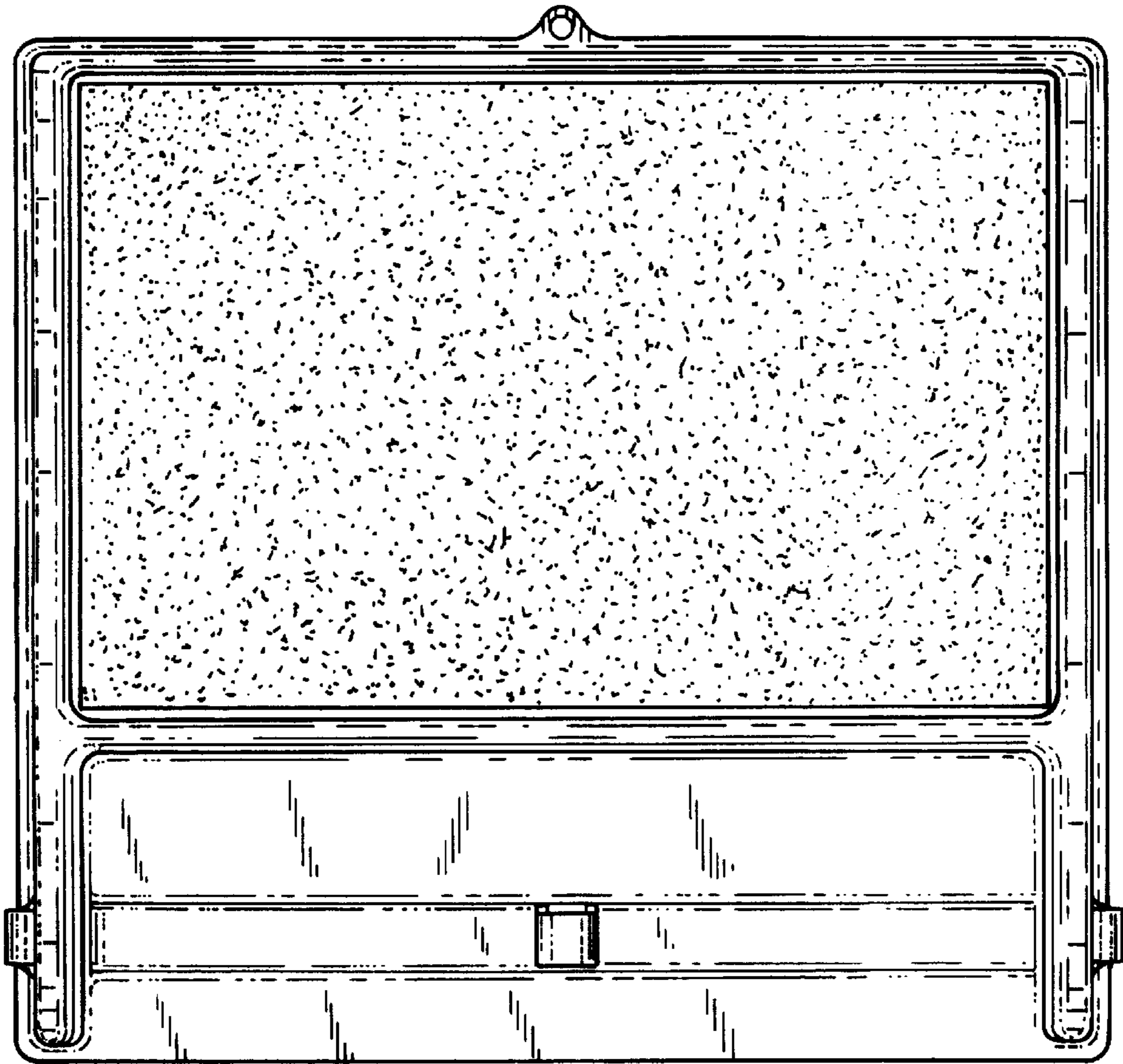


FIG. 2



FIG. 3



FIG. 4

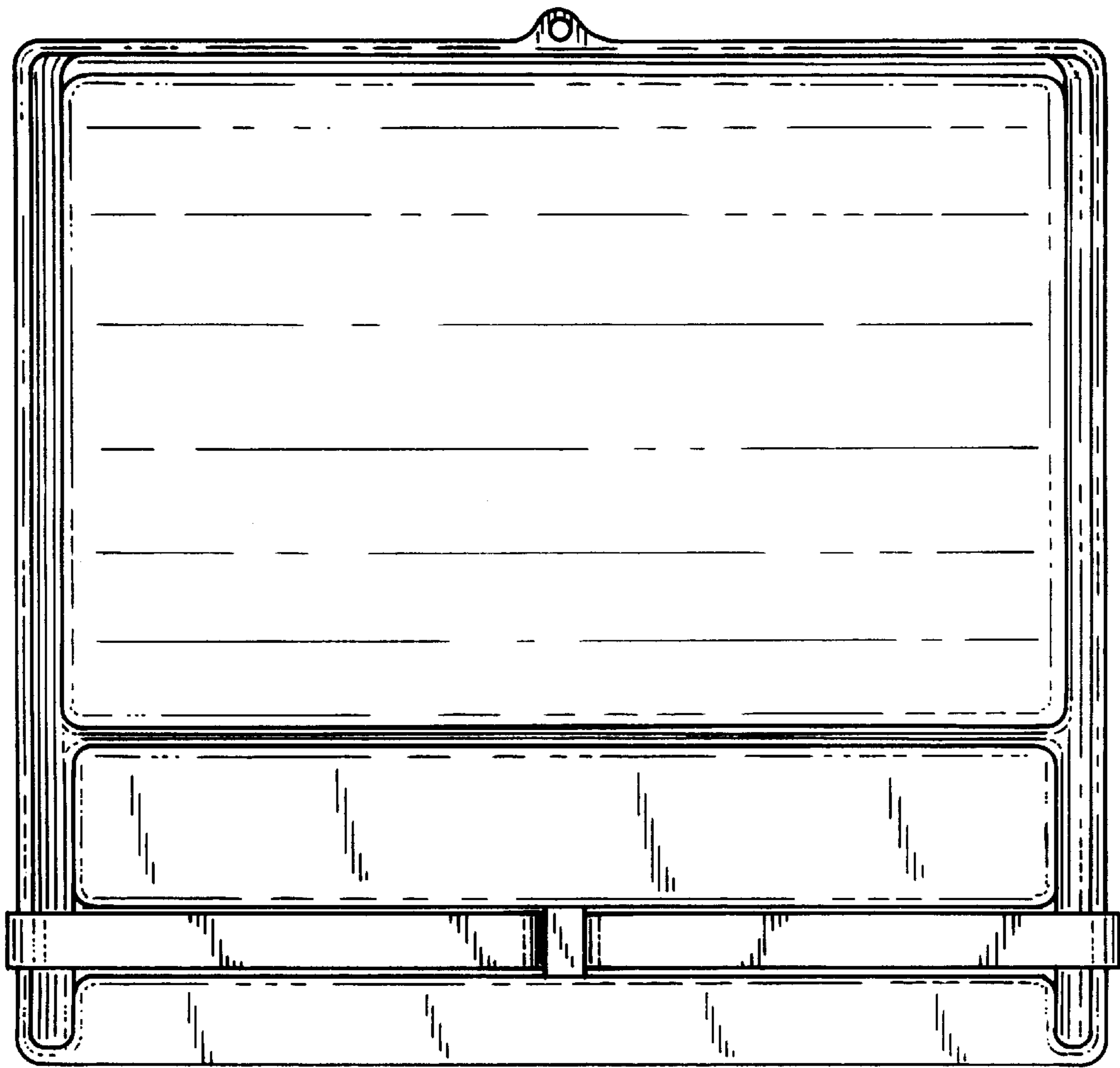


FIG. 5

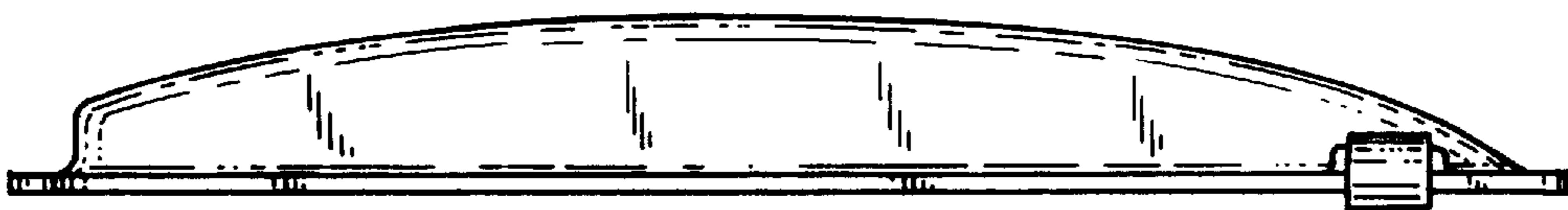


FIG. 6

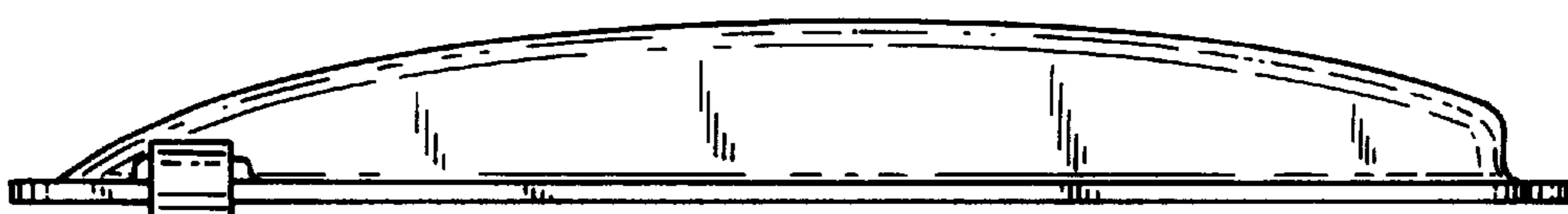


FIG. 7