



US00D443061S

(12) **United States Design Patent**
Bergström et al.

(10) **Patent No.:** **US D443,061 S**

(45) **Date of Patent:** **** May 29, 2001**

(54) **COVER FOR AN APPARATUS FOR GENERATING RADIOACTIVE ISOTOPES**

5,319,204 * 6/1994 Wong 250/363.03
5,532,489 * 7/1996 Yamashita et al. 250/363.03
6,057,655 * 5/2000 Jongen 315/502

(76) Inventors: **Jan Olof Bergström**, Sehlstedtgatan 6, S-754 41 Uppsala; **Peter Wiberg**, Enängen, Jumkil, S-740 22 Bälinge, both of (SE)

* cited by examiner

Primary Examiner—Stella Reid

(74) *Attorney, Agent, or Firm*—Jay L. Chaskin

(**) Term: **14 Years**

(57) **CLAIM**

(21) Appl. No.: **29/102,617**

The ornamental design for a cover for an apparatus for generating radioactive isotopes, as shown.

(22) Filed: **Mar. 29, 1999**

(30) **Foreign Application Priority Data**

Sep. 29, 1998 (SE) 98-1915

(51) **LOC (7) Cl.** **24-01**

(52) **U.S. Cl.** **D24/158**

(58) **Field of Search** D24/158; 250/363.01, 250/363.02, 363.03, 363.04, 363.05, 363.08; D15/79, 81, 85, 88

DESCRIPTION

FIG. 1 is a top perspective view of a cover for an apparatus for generating radioactive isotopes, showing our new design;

FIG. 2 is a top plan view thereof;

FIG. 3 is a front view thereof;

FIG. 4 is a side view thereof;

FIG. 5 is a side view thereof, opposite that shown in FIG. 4; and,

FIG. 6 is a top plan view thereof, with the doors in open position.

(56) **References Cited**

U.S. PATENT DOCUMENTS

4,743,764 * 5/1988 Casey et al. 250/363.03

1 Claim, 3 Drawing Sheets

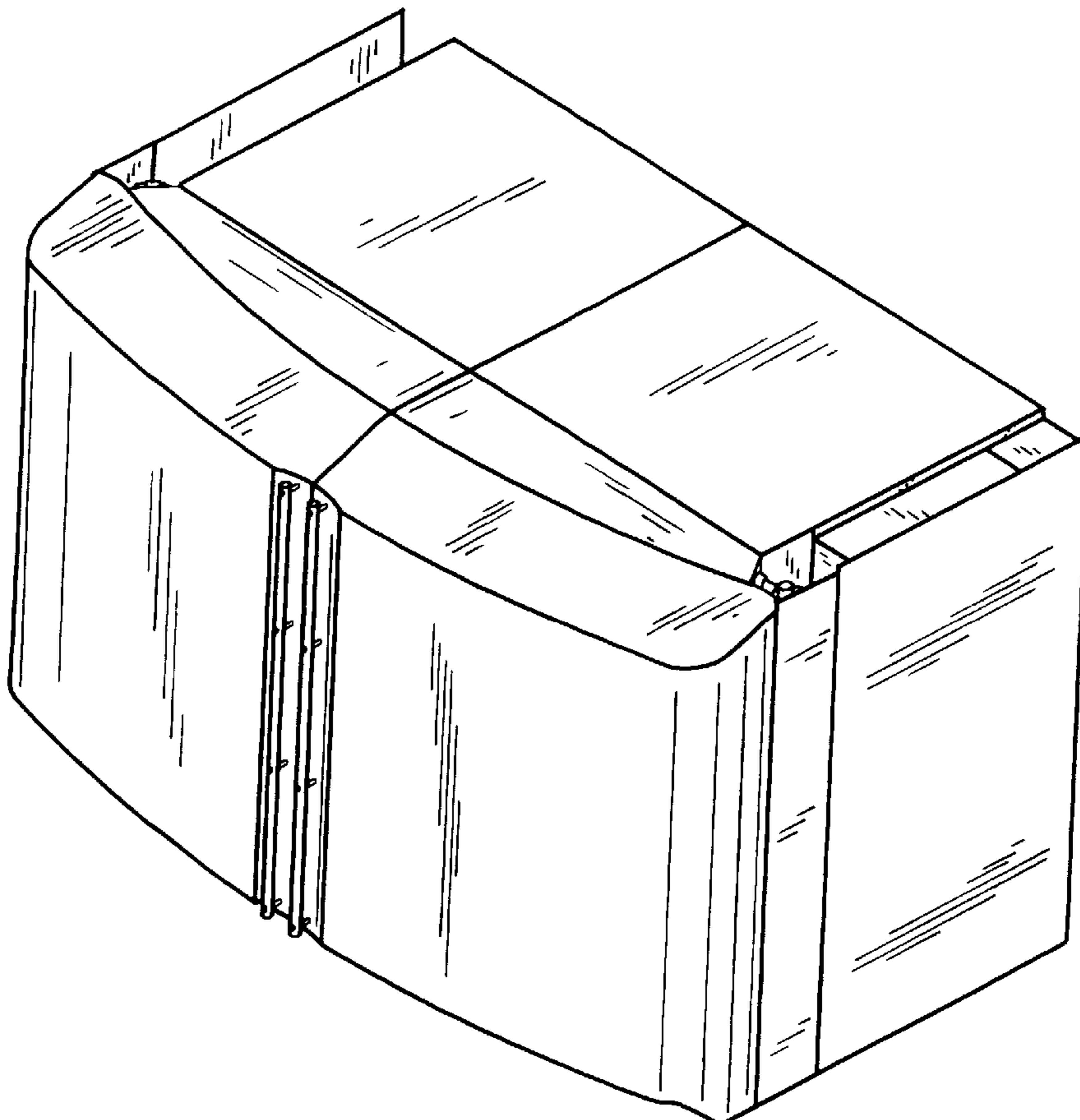


FIG. 1

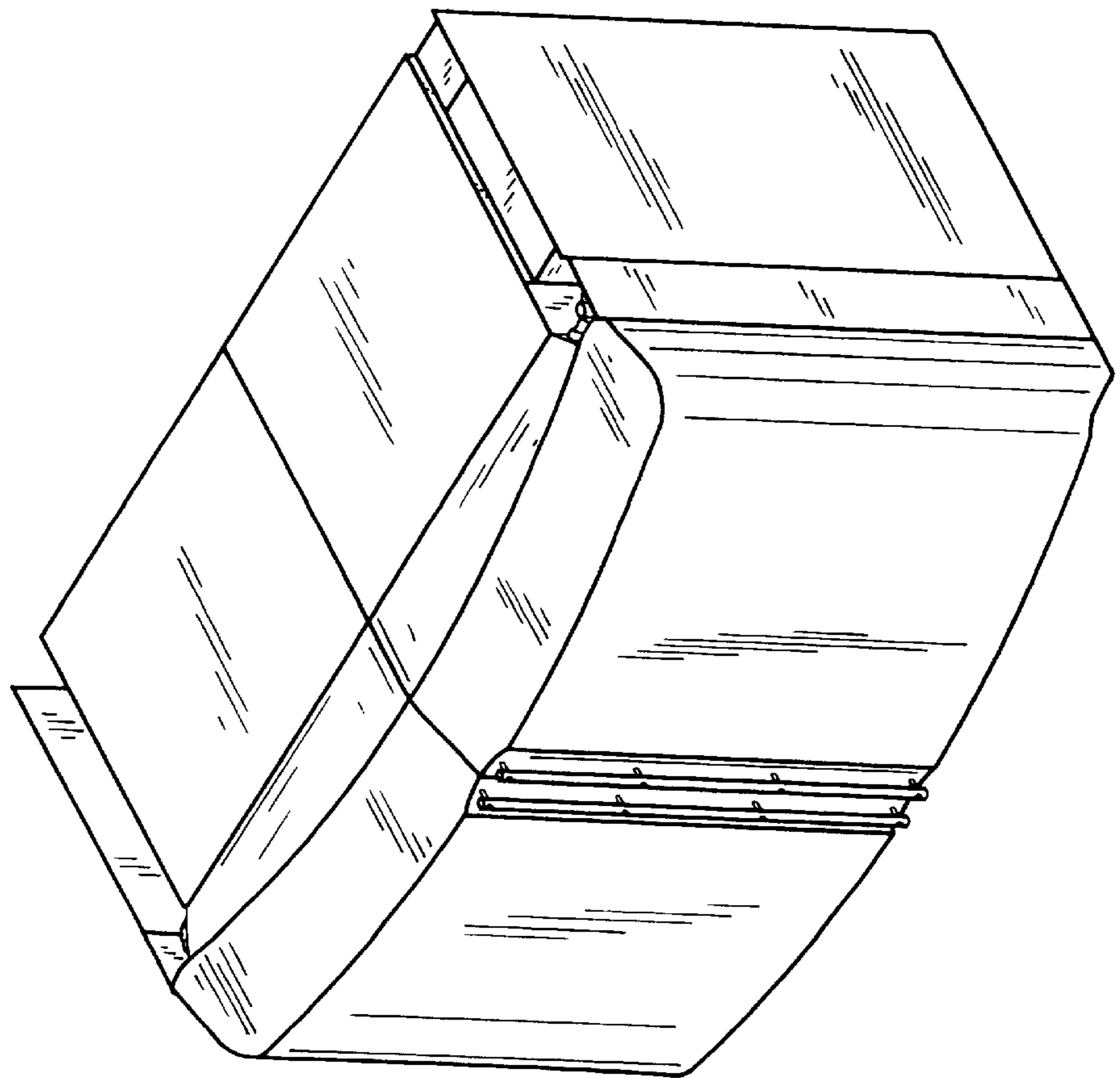


FIG. 2

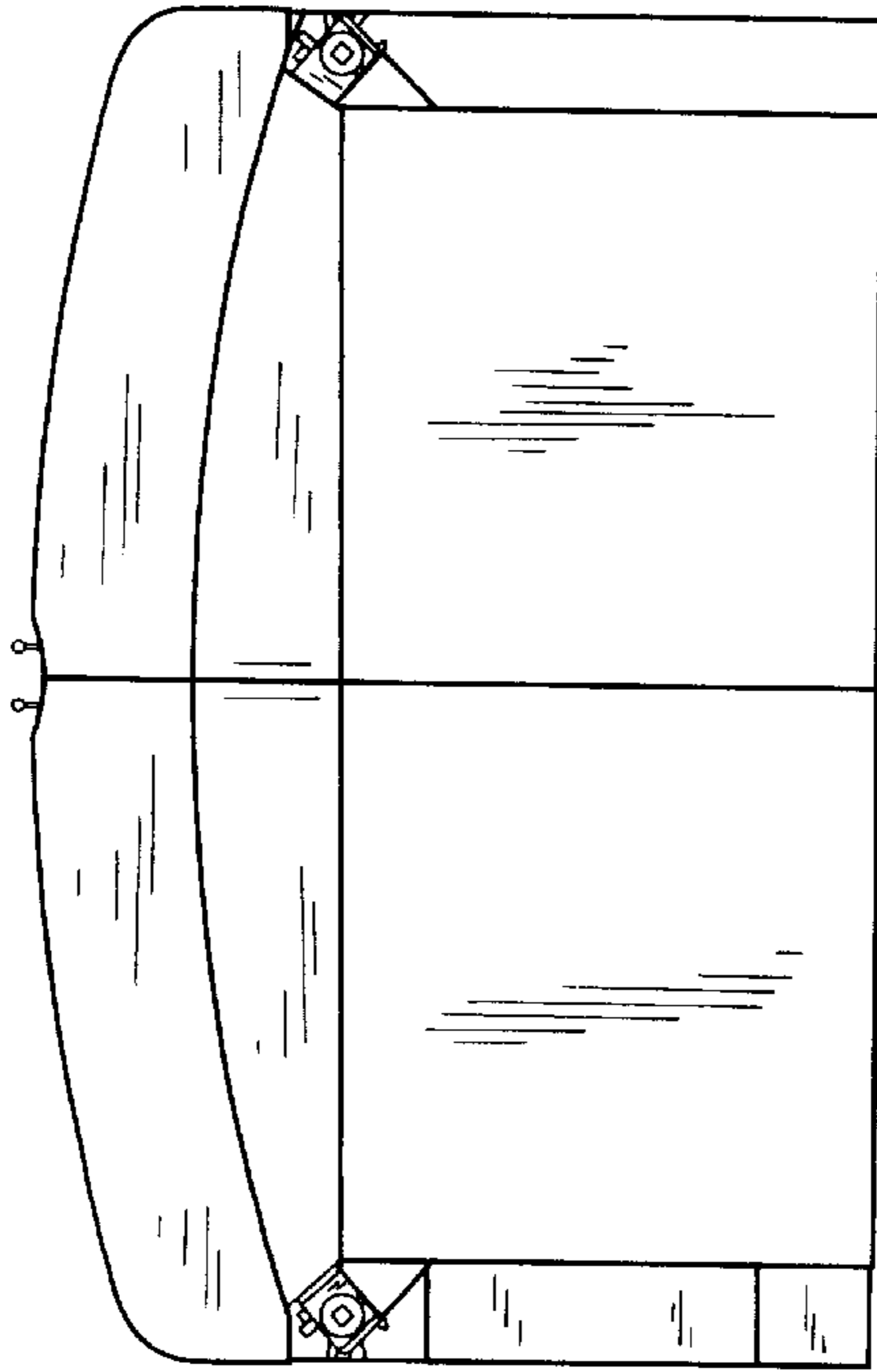


FIG. 3

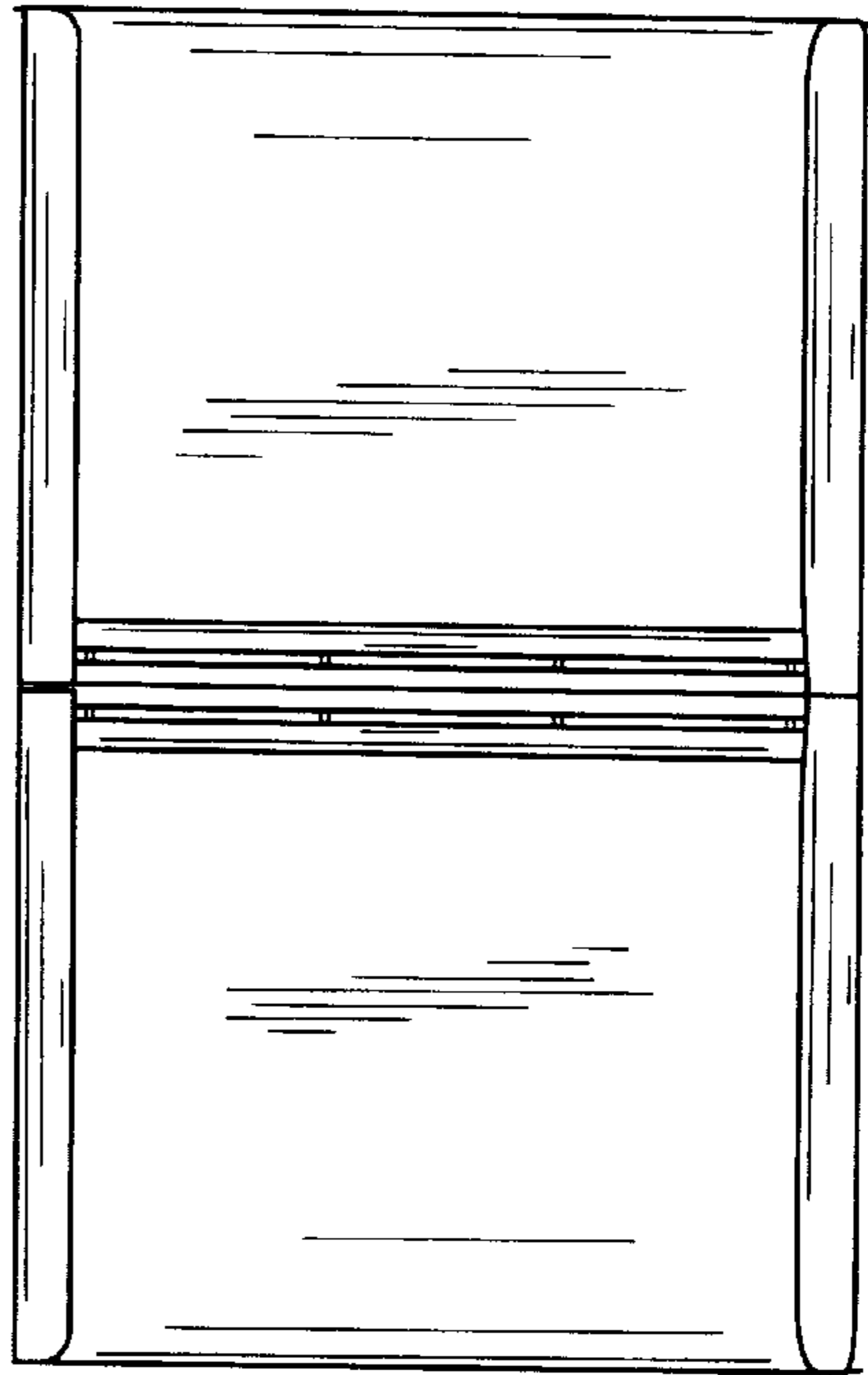


FIG. 4

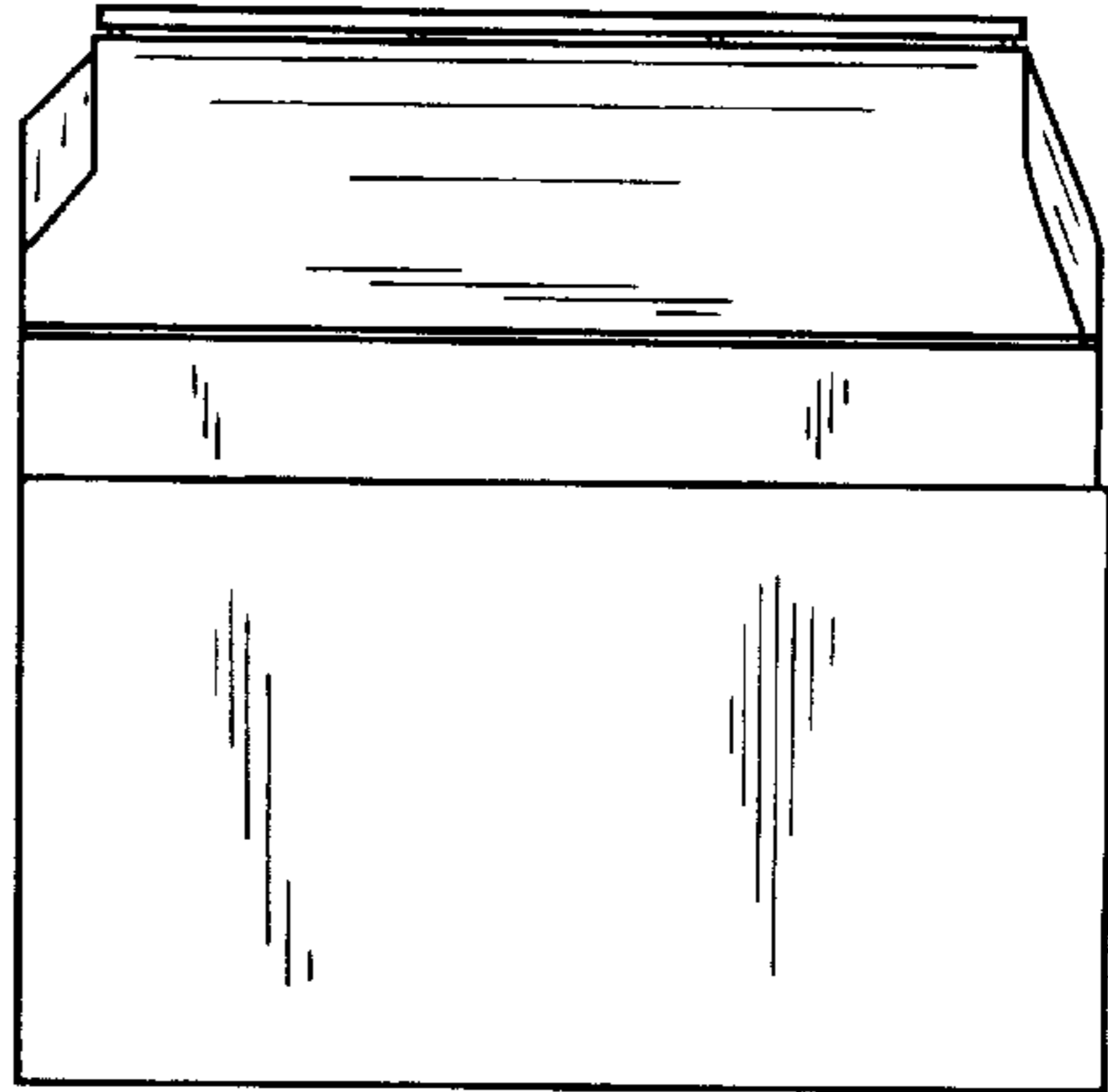


FIG. 5

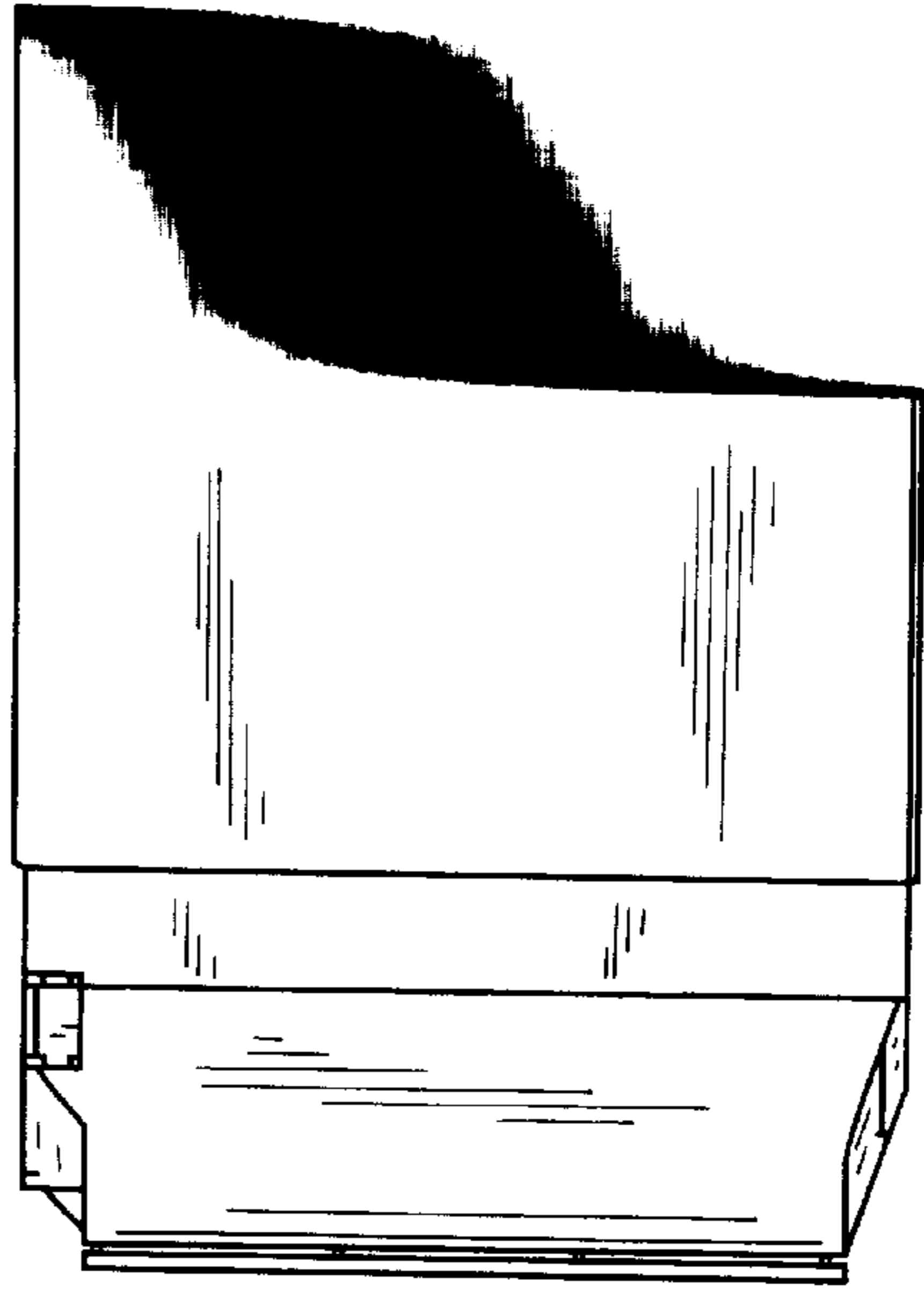


FIG. 6

