



US00D443059S

(12) **United States Design Patent**
Endo

(10) **Patent No.:** **US D443,059 S**

(45) **Date of Patent:** **** May 29, 2001**

(54) **REPLACEABLE BLADE CARTRIDGE FOR CORNEA INCISING DEVICES**

(75) Inventor: **Masahiro Endo, Seki (JP)**

(73) Assignee: **Kai R & D Center Co., Ltd., Seki (JP)**

(**) Term: **14 Years**

(21) Appl. No.: **29/115,763**

(22) Filed: **Dec. 20, 1999**

(30) **Foreign Application Priority Data**

Sep. 27, 1999 (JP) 11-26104

(51) **LOC (7) Cl.** **24-02**

(52) **U.S. Cl.** **D24/146**

(58) **Field of Search** D24/146, 150,
D24/167; 606/107, 166; D28/45, 46, 47

(56) **References Cited**

U.S. PATENT DOCUMENTS

Re. 35,421 *	1/1997	Ruiz et al.	606/166
5,342,378 *	8/1994	Giraud et al.	606/166
5,658,303 *	8/1997	Koepnick	606/166
6,022,365 *	2/2000	Aufaure et al.	606/166
6,132,446 *	10/2000	Hellenkamp et al.	606/166

FOREIGN PATENT DOCUMENTS

1053477 11/1999 (JP) .

* cited by examiner

Primary Examiner—Ian Simmons
(74) *Attorney, Agent, or Firm*—Beyer Weaver & Thomas, LLP

(57) **CLAIM**

The ornamental design for a replaceable blade cartridge for cornea incising devices, as shown and described.

DESCRIPTION

FIG. 1 is a front view showing a replaceable blade cartridge for cornea incising devices according to the present invention;

FIG. 2 is a rear view showing the replaceable blade cartridge of FIG. 1;

FIG. 3 is a plan view showing the replaceable blade cartridge of FIG. 1;

FIG. 4 is a bottom view showing the replaceable blade cartridge of FIG. 1;

FIG. 5 is a right view showing the replaceable blade cartridge of FIG. 1, the left view being a mirror image thereof;

FIG. 6 is a cross-sectional view taken along line 6—6 in FIG. 1;

FIG. 7 is a perspective view showing the replaceable blade cartridge of FIG. 1 from above; and,

FIG. 8 is a perspective view showing the replaceable blade cartridge of FIG. 1 from below.

1 Claim, 2 Drawing Sheets

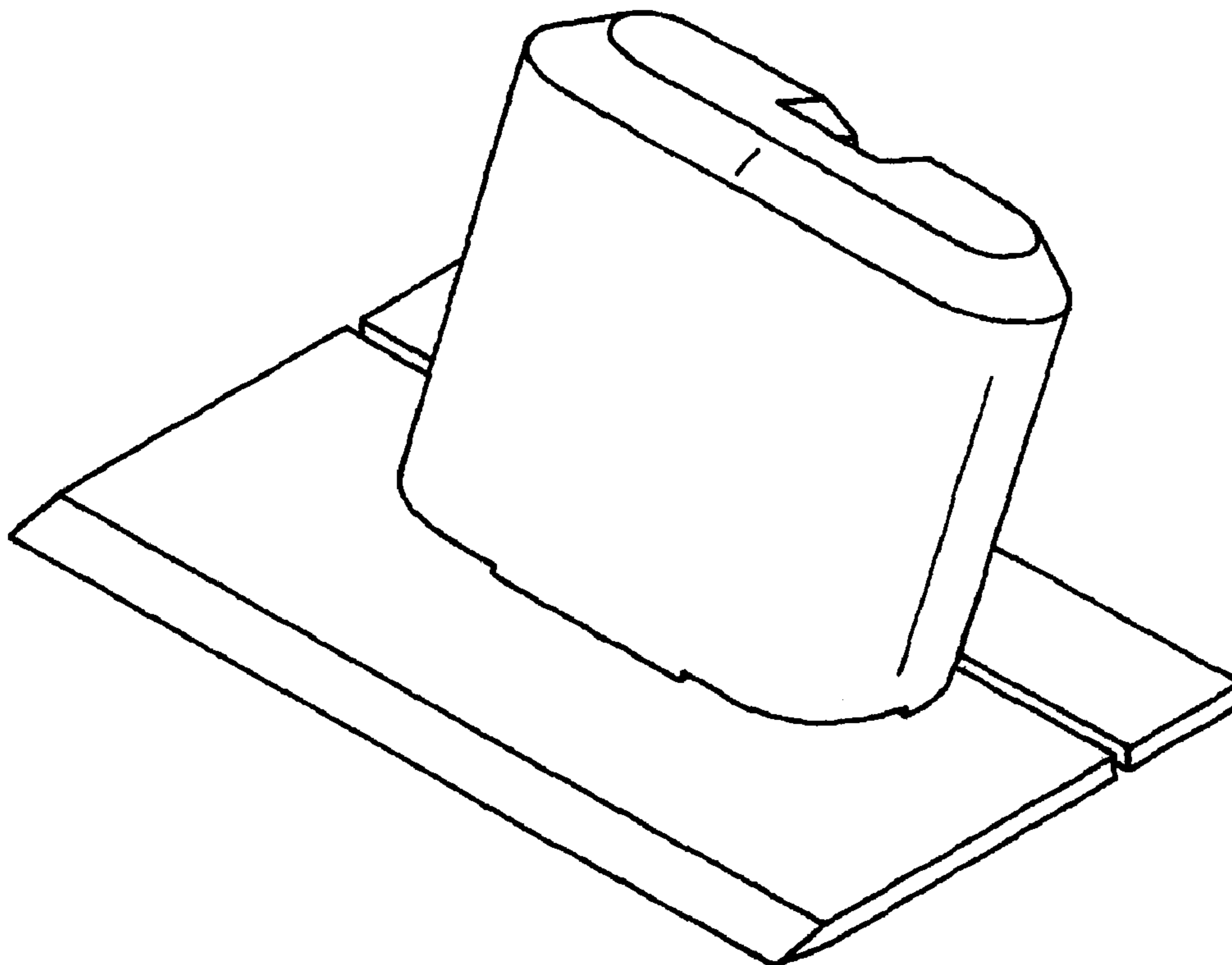


Fig. 1

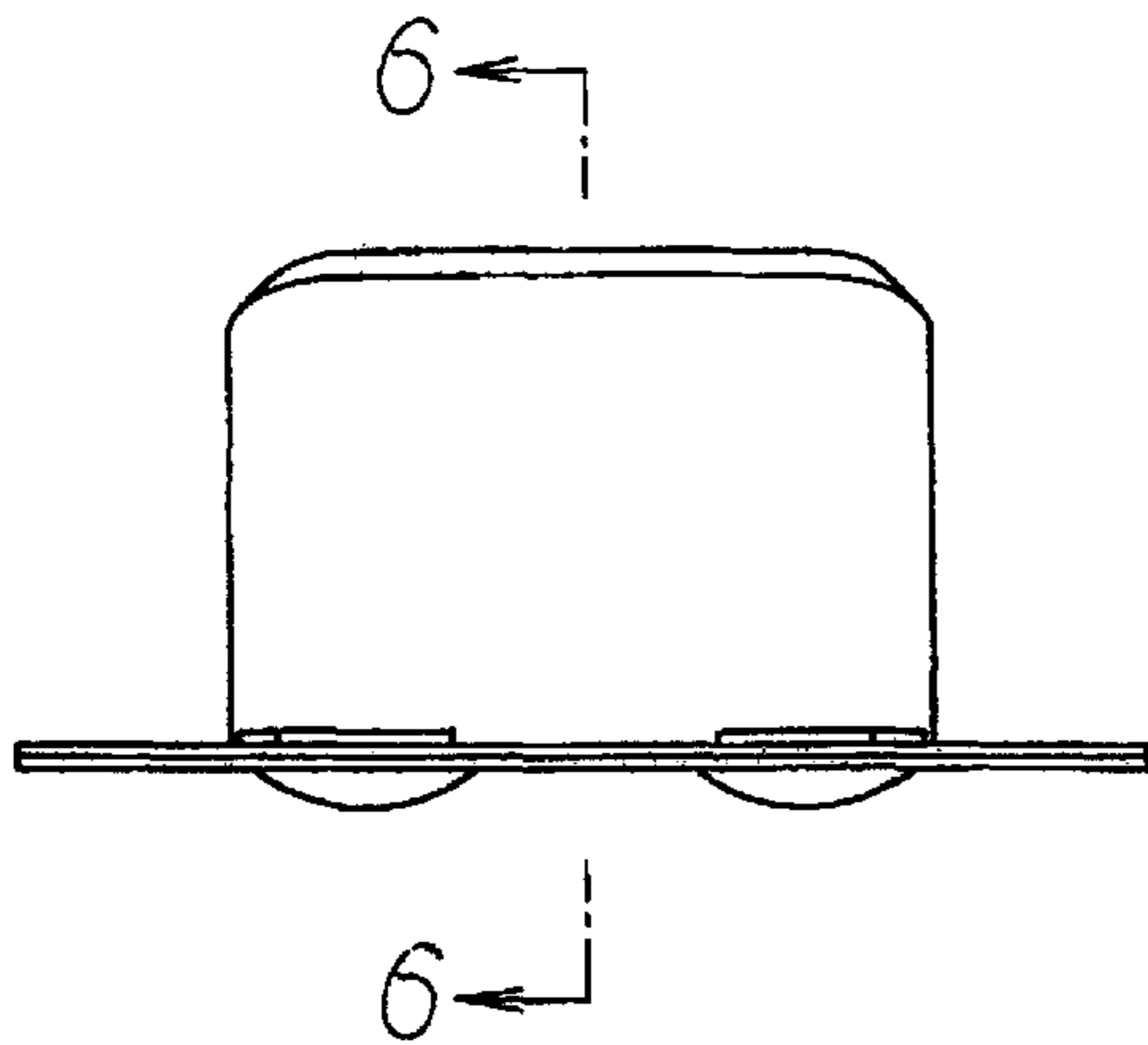


Fig. 2

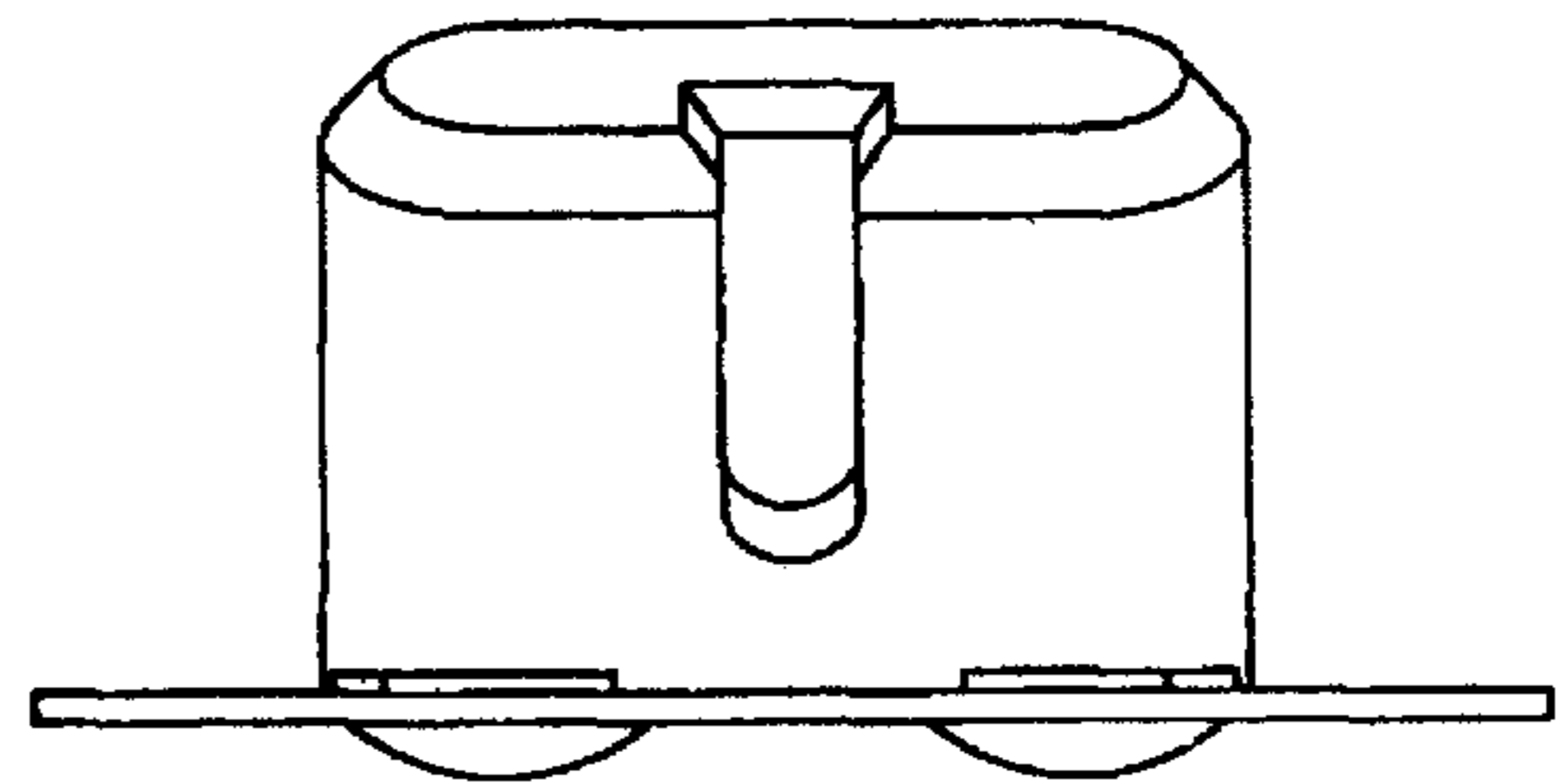


Fig. 3

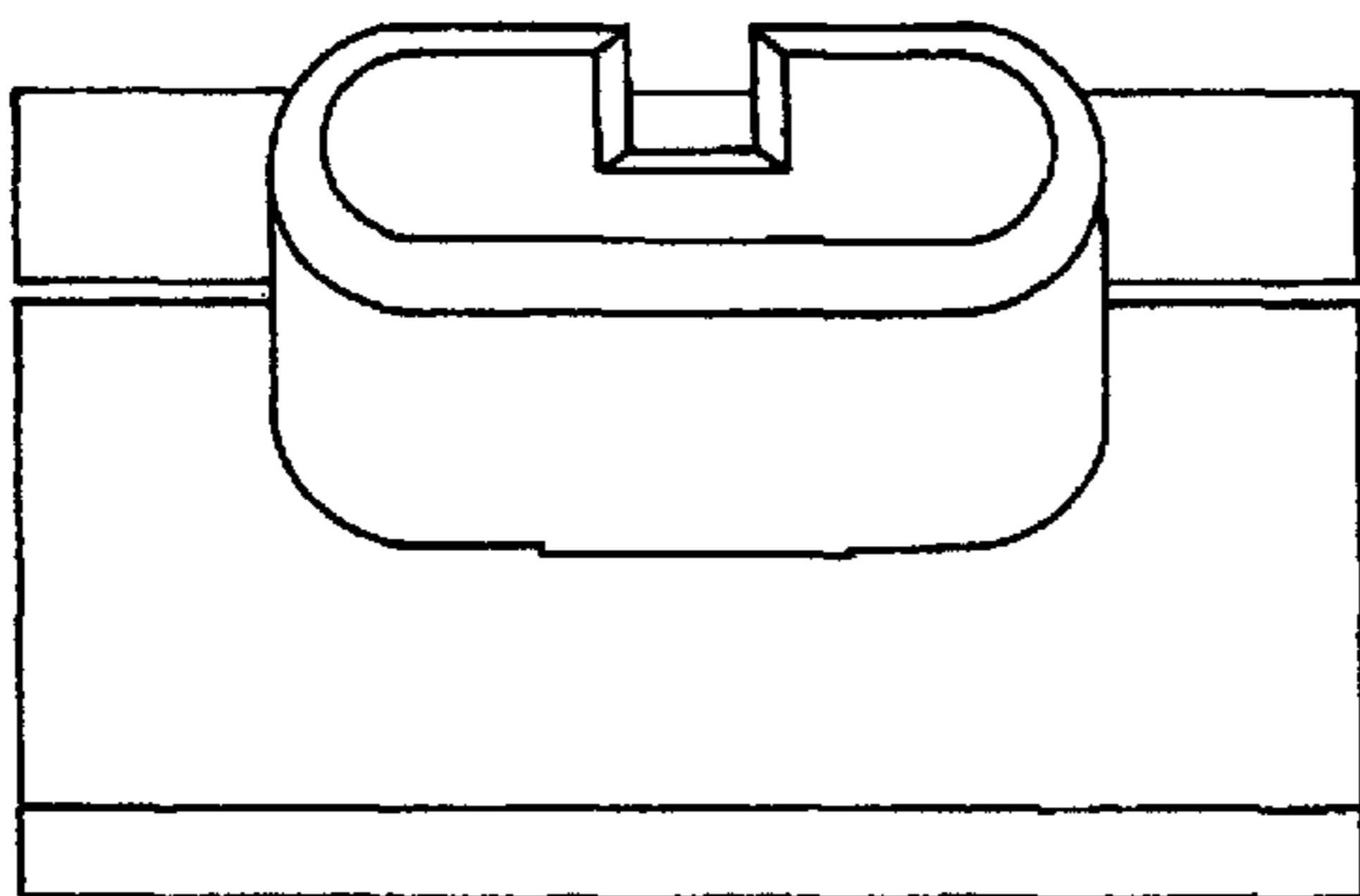


Fig. 4

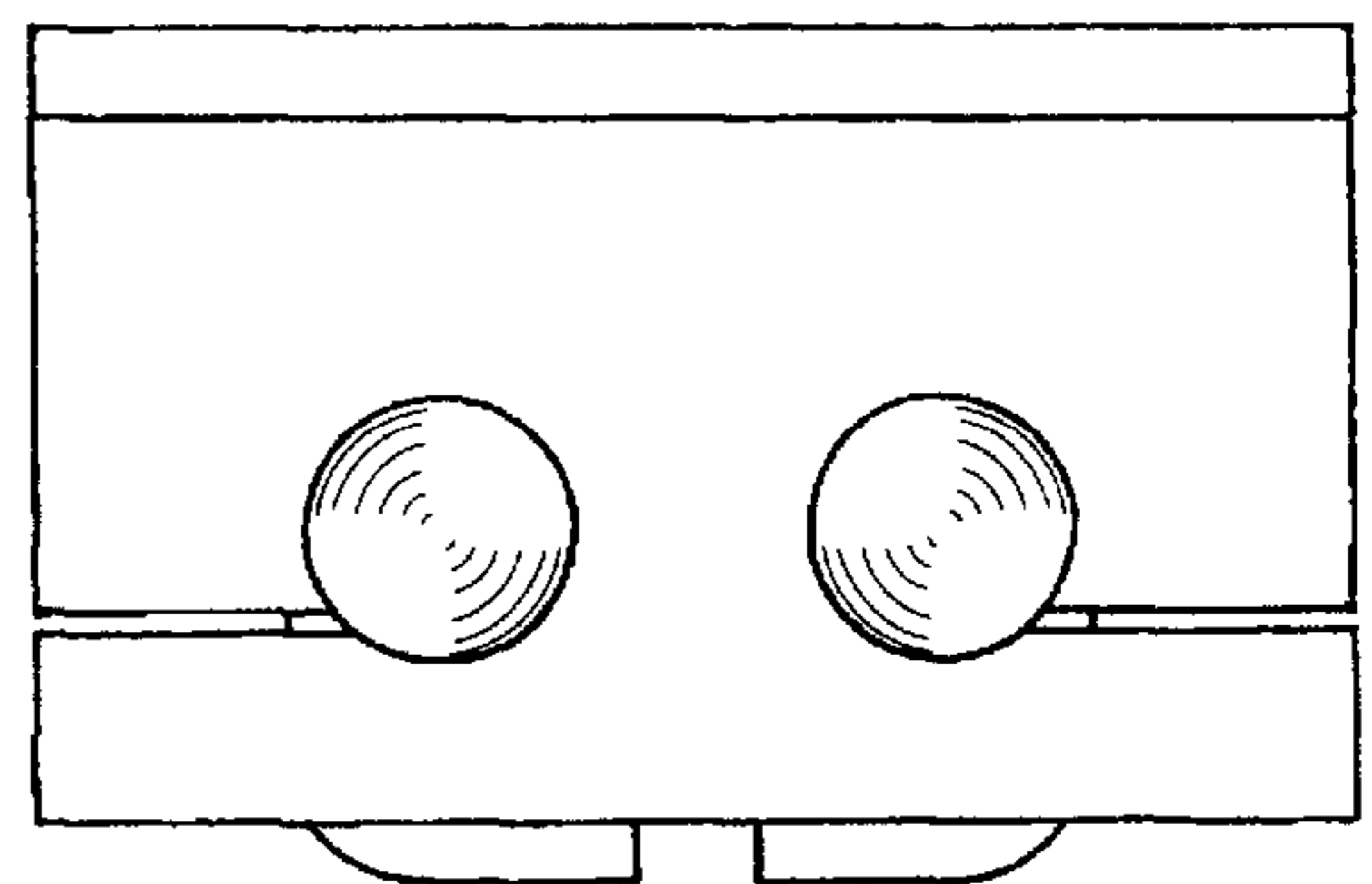


Fig. 5

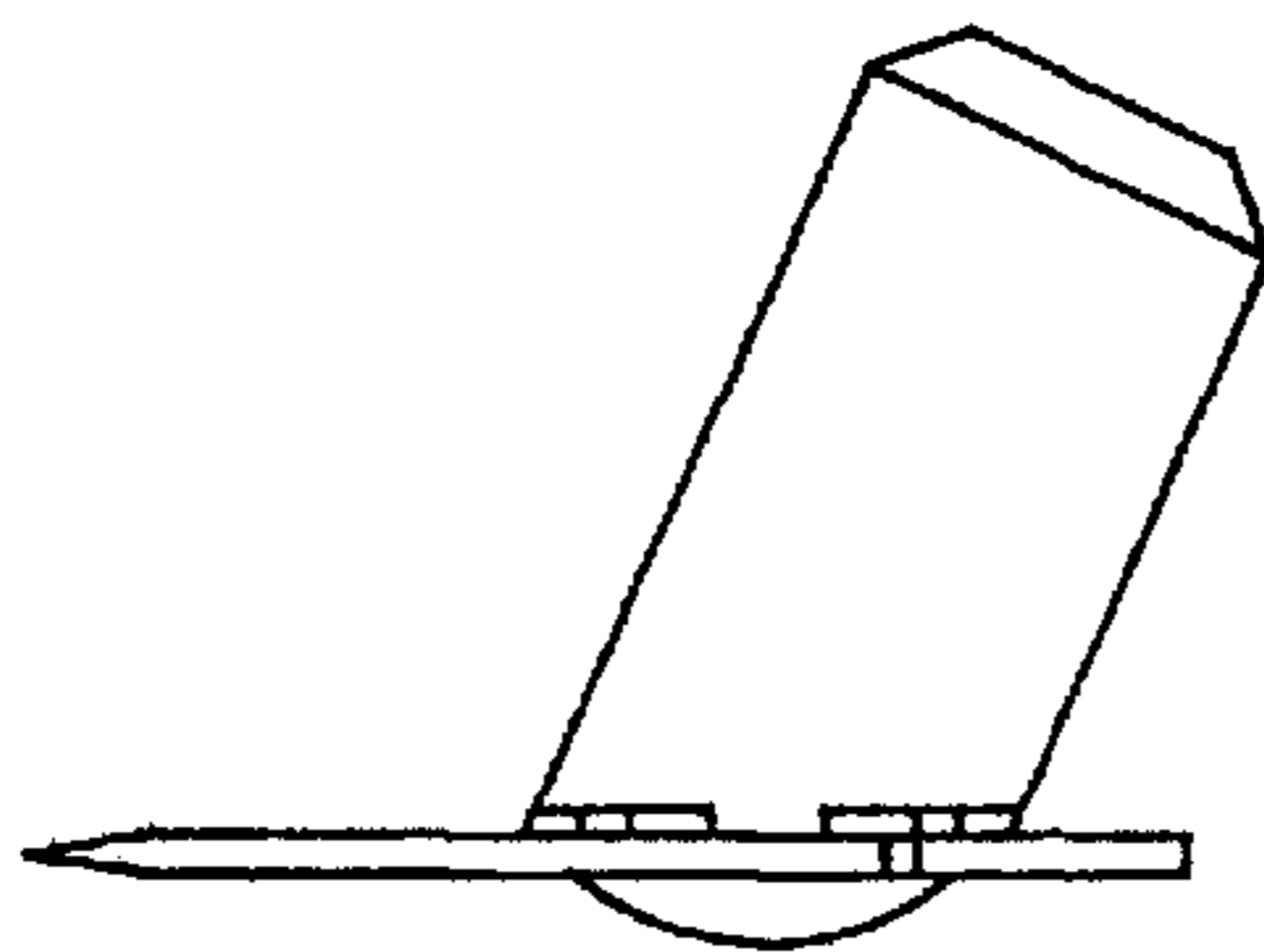


Fig. 6

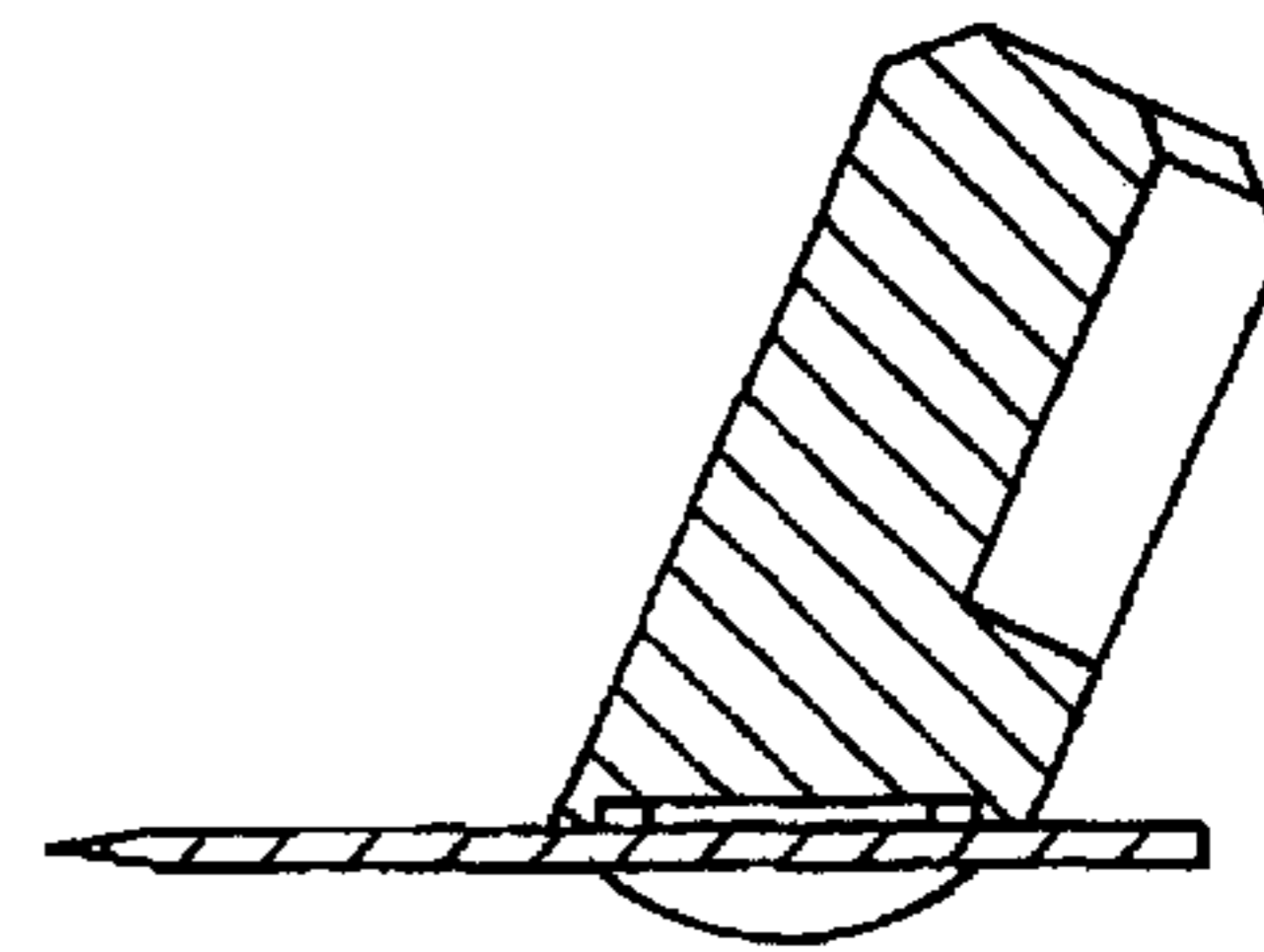


Fig. 7

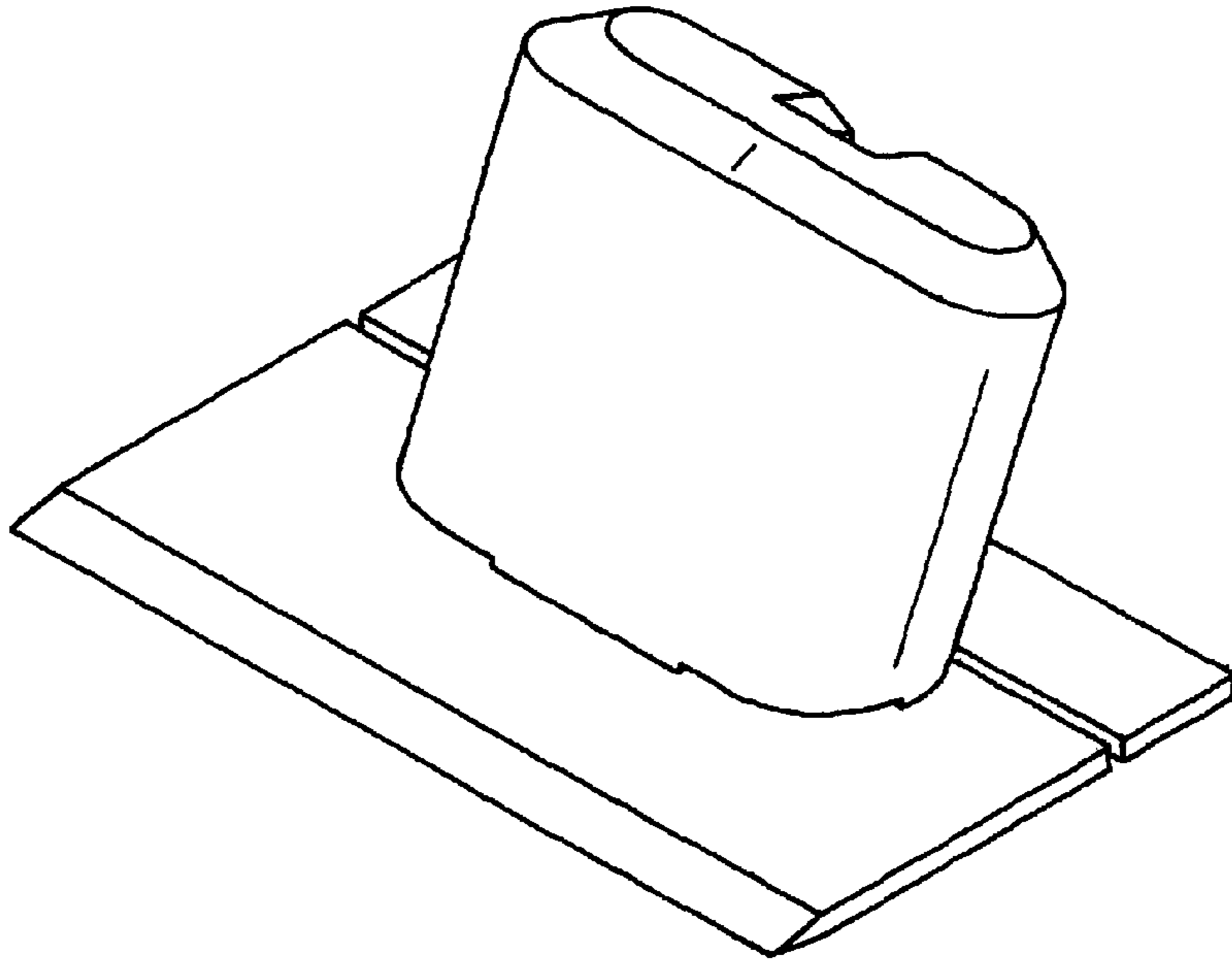


Fig. 8

