



US00D443056S

(12) **United States Design Patent**  
**Koros et al.**

(10) **Patent No.:** **US D443,056 S**

(45) **Date of Patent:** **\*\* May 29, 2001**

(54) **DUAL ROD CORNER RETRACTOR CLAMP**

5,741,210 \* 4/1998 Dobrovolny ..... 600/230  
5,888,190 \* 3/1999 Meyer et al. .... 600/102

(76) Inventors: **Tibor B. Koros; Gabriel J. Koros,**  
both of 610 Flinn Ave., Moorpark, CA  
(US) 93021

\* cited by examiner

*Primary Examiner*—Ian Simmons

(\*\*) Term: **14 Years**

(57) **CLAIM**

(21) Appl. No.: **29/112,411**

The ornamental design for a dual rod corner retractor clamp,  
substantially as shown and described.

(22) Filed: **Oct. 14, 1999**

**DESCRIPTION**

(51) **LOC (7) Cl.** ..... **24-02**

(52) **U.S. Cl.** ..... **D24/135; D24/128**

(58) **Field of Search** ..... D24/128, 135;  
D8/394, 72, 71; 600/228, 219, 230, 231,  
232, 102, 234; 248/541, 516

FIG. 1 is a perspective view of a dual rod corner retractor clamp showing our new design, the broken line showing is for illustrative purposes only and forms no part of the claimed design.

FIG. 2 is a front elevational view thereof.

FIG. 3 is a right elevational view thereof.

FIG. 4 is a rear elevational view thereof.

FIG. 5 is a left elevational view thereof.

FIG. 6 is a top plan view thereof; and,

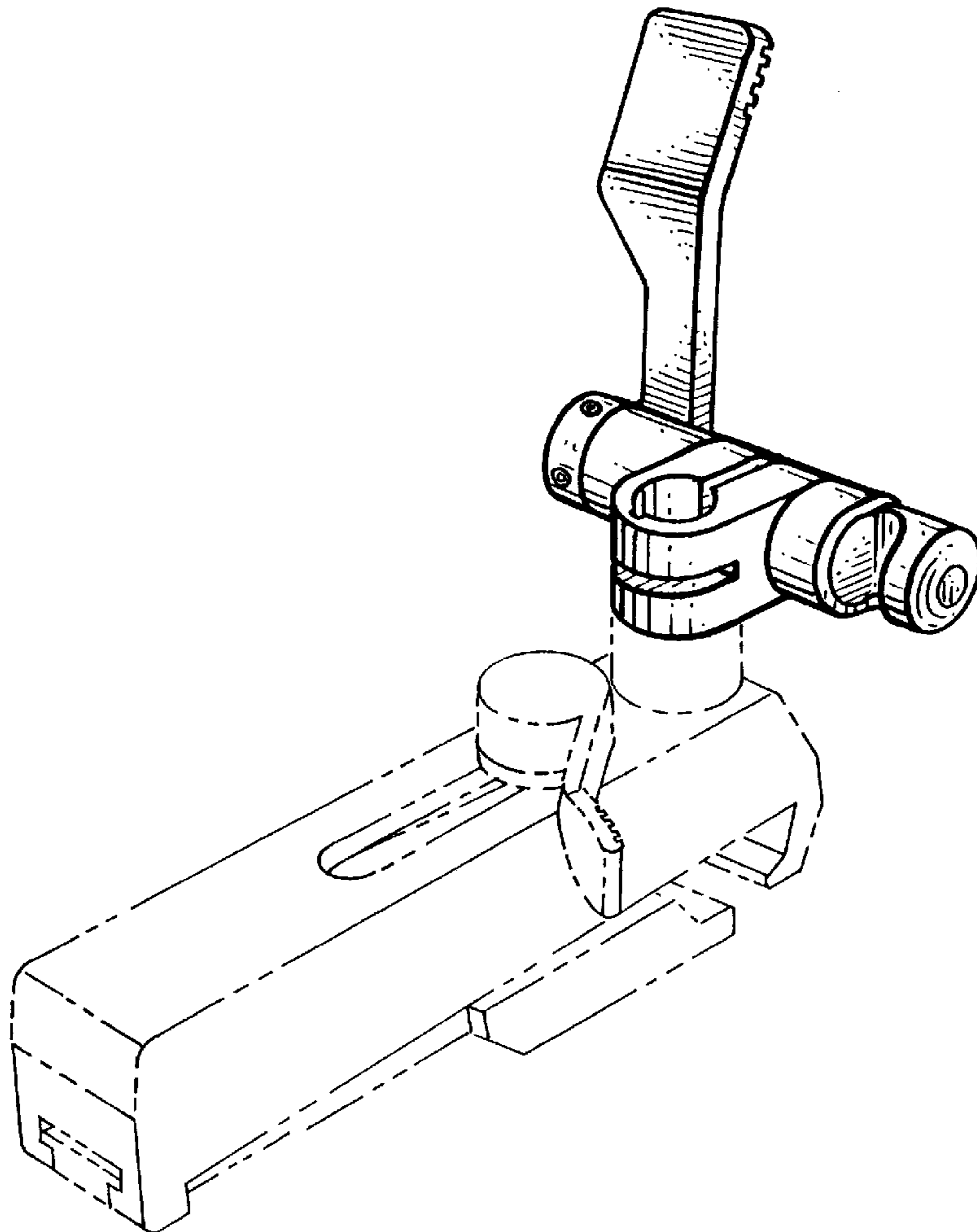
FIG. 7 is a bottom plan view thereof.

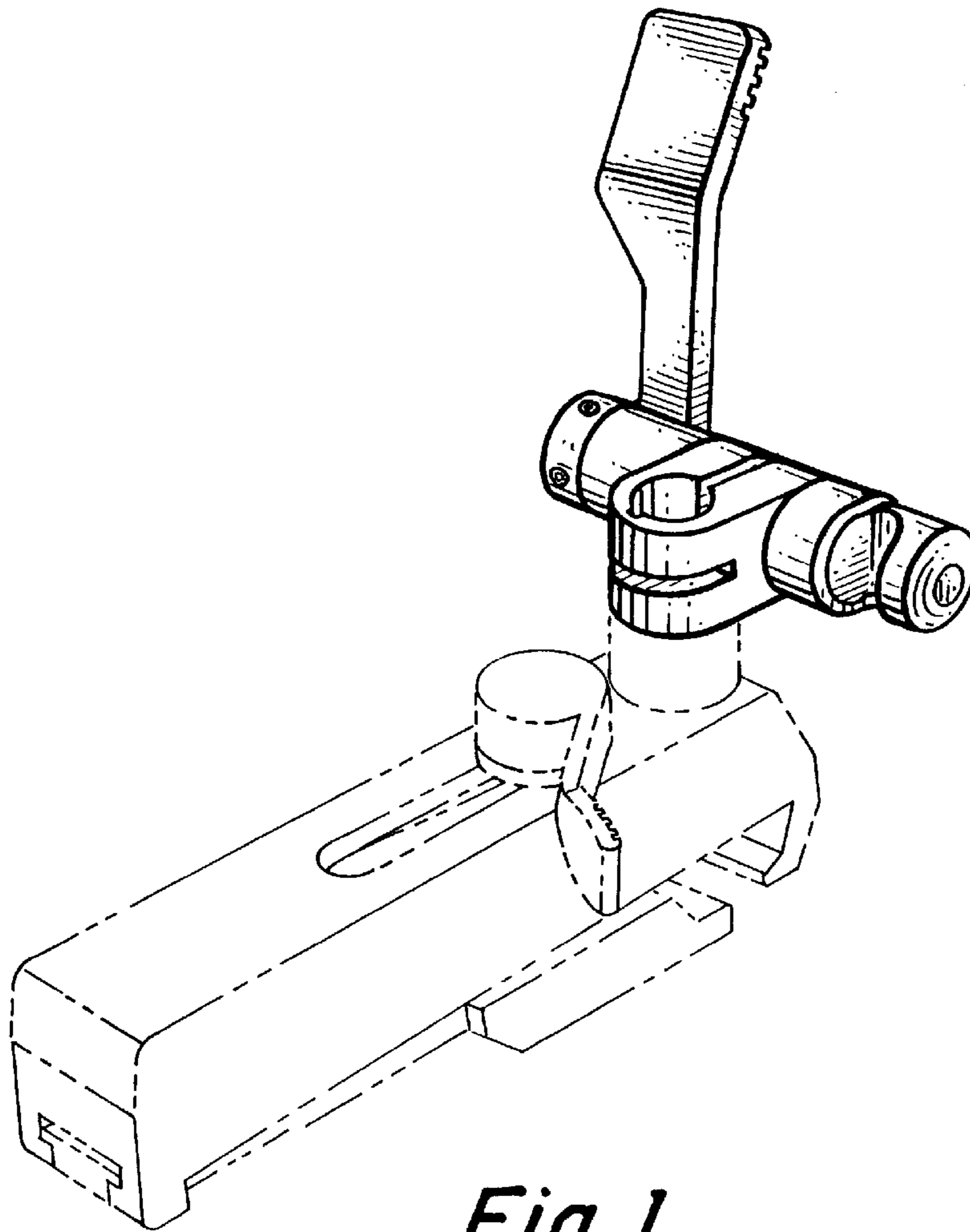
(56) **References Cited**

**U.S. PATENT DOCUMENTS**

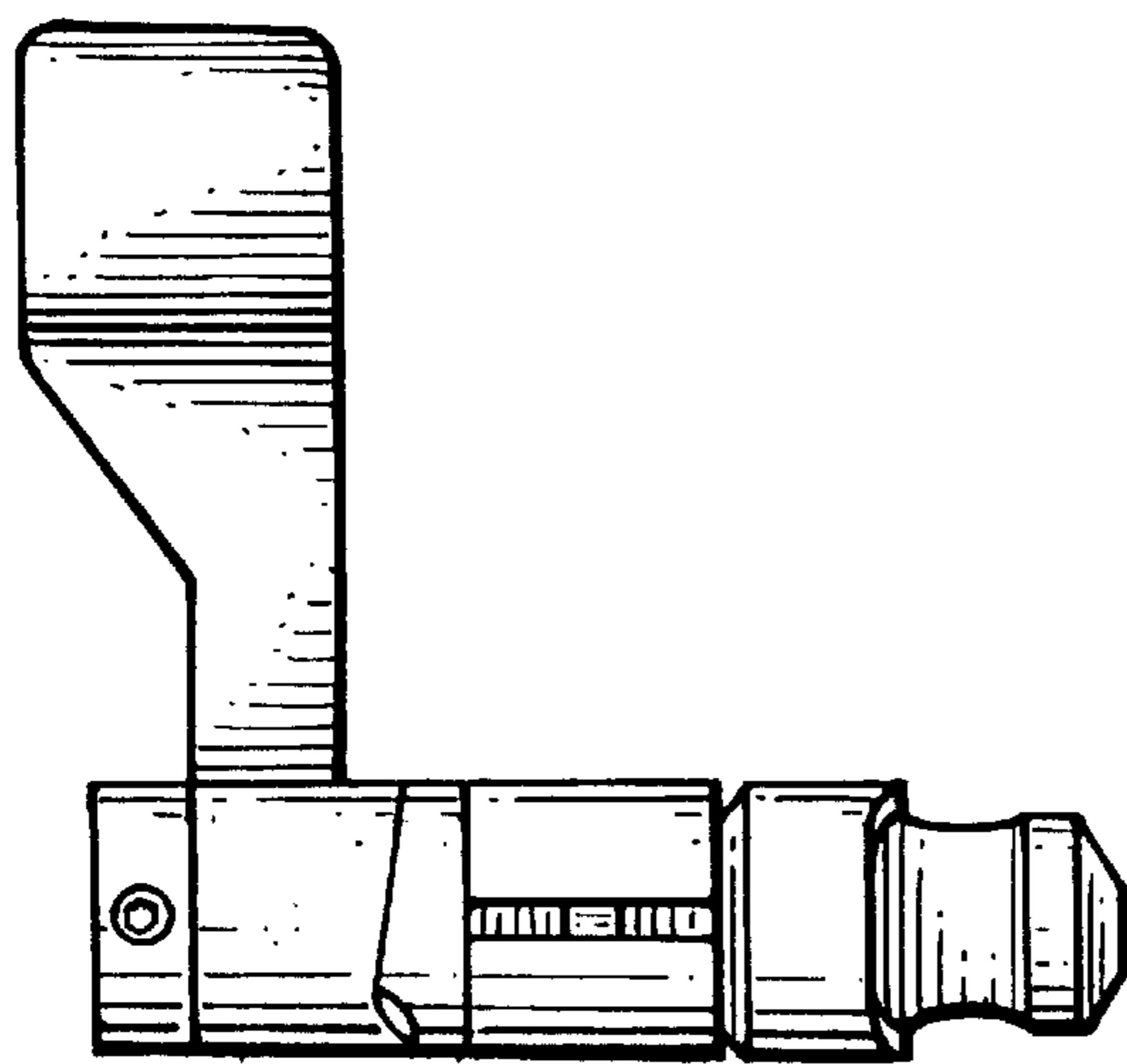
D. 419,673 \* 1/2000 Schattner ..... D24/128  
3,046,072 \* 7/1962 Douglass, Jr. et al. .... 600/230  
4,421,108 \* 12/1983 Cabrera et al. .... 600/234

**1 Claim, 2 Drawing Sheets**

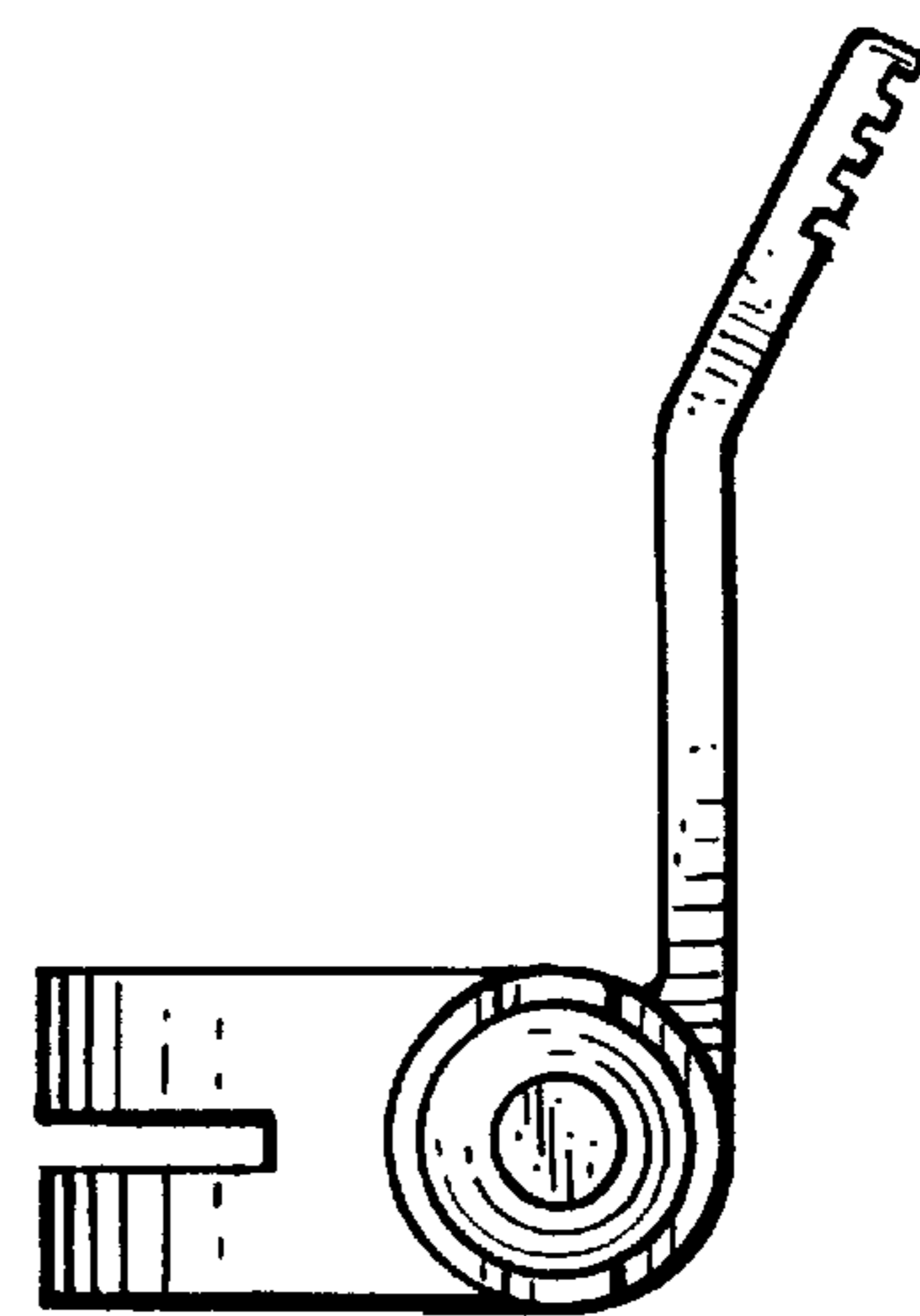




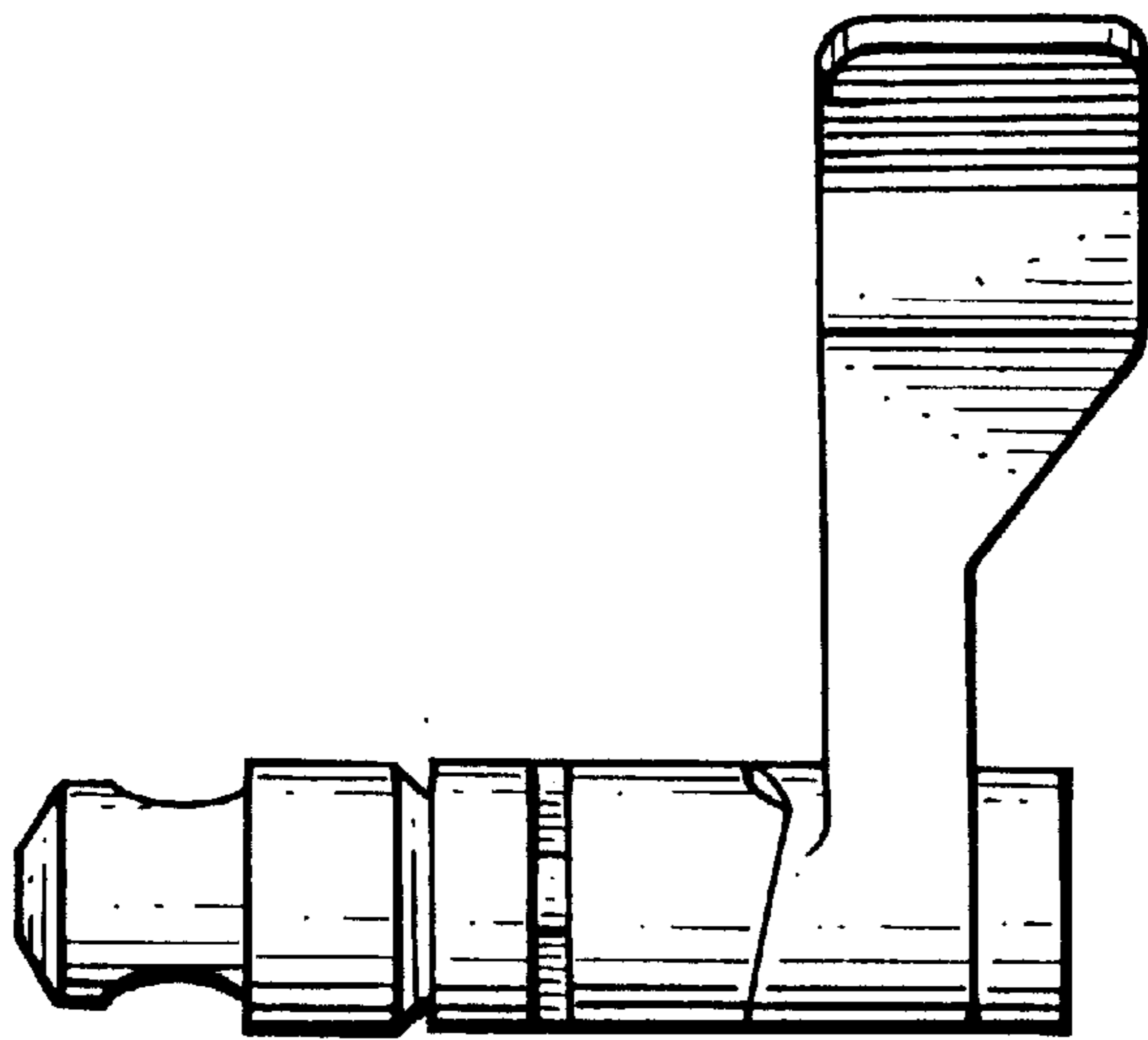
*Fig. 1.*



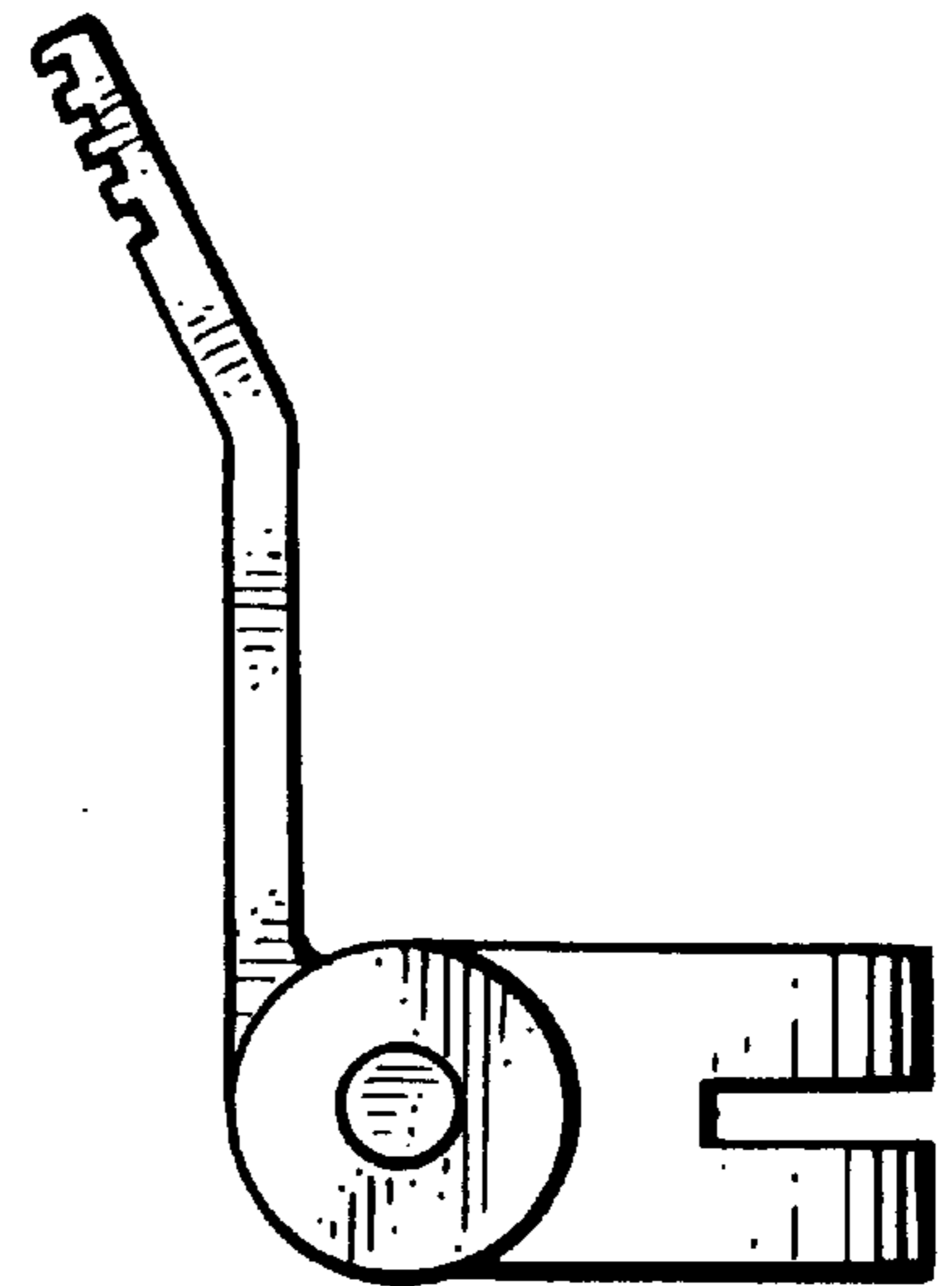
*Fig. 2.*



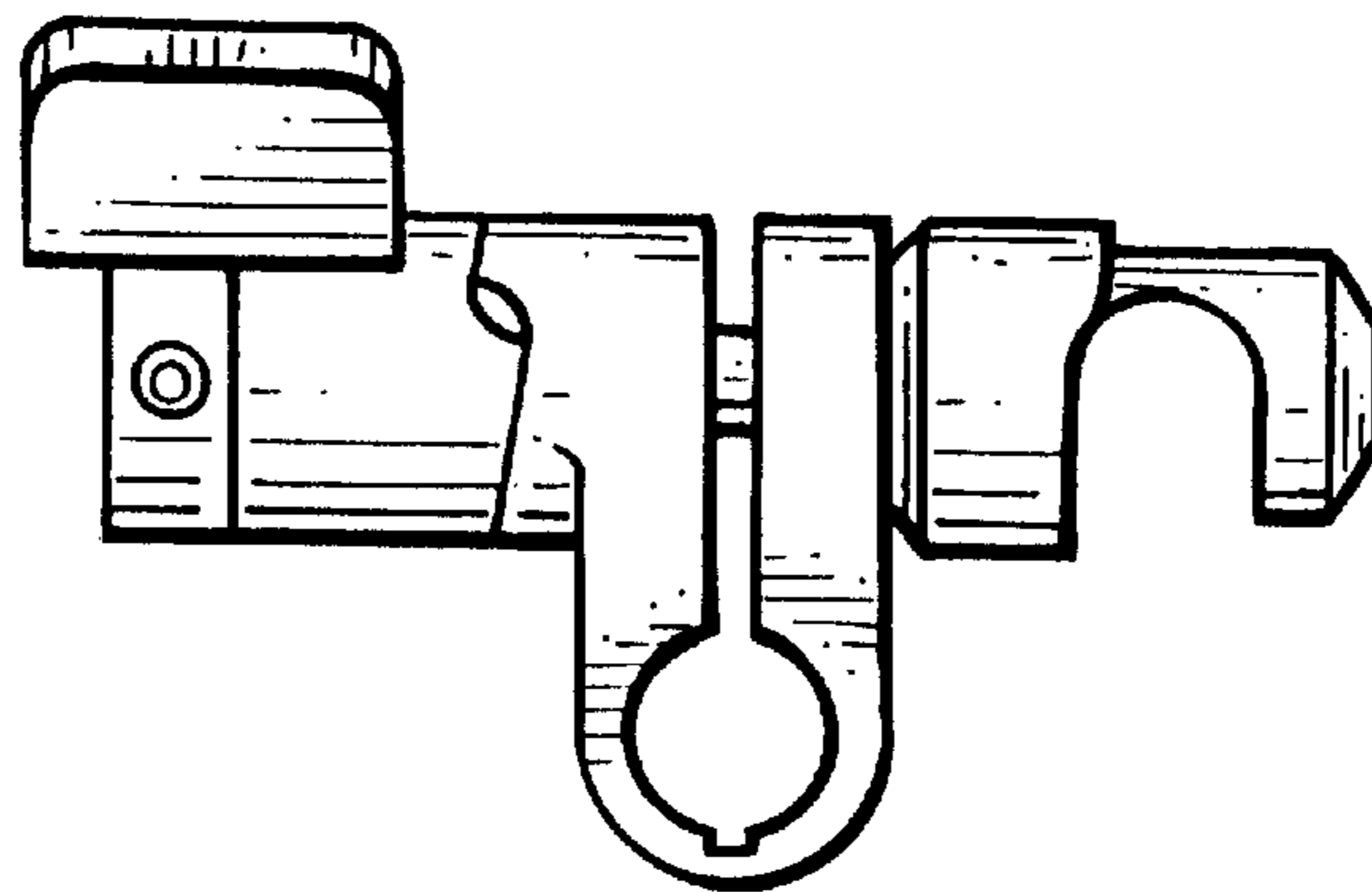
*Fig. 3.*



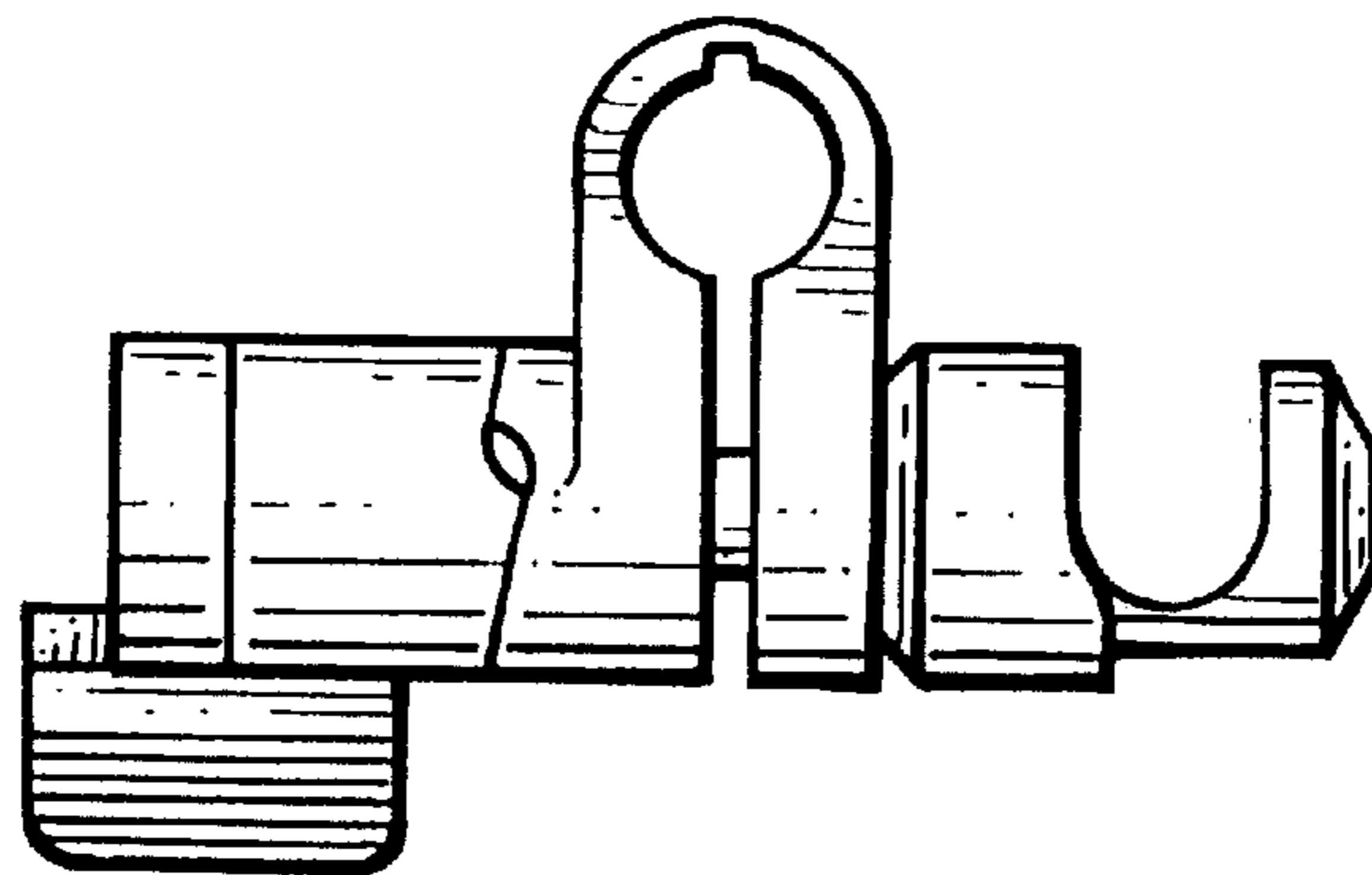
*Fig. 4.*



*Fig. 5.*



*Fig. 6.*



*Fig. 7.*