



US00D443055S

(12) **United States Design Patent**
Dolan

(10) **Patent No.:** **US D443,055 S**

(45) **Date of Patent:** **** May 29, 2001**

(54) **CEILING FAN MOTOR HOUSING**

Primary Examiner—Lisa Lichtenstein

(76) Inventor: **Patrick S. Dolan**, 1901 NW. Upshur,
Portland, OR (US) 97209

(57) **CLAIM**

The ornamental design for a ceiling fan motor housing, as shown and described.

(**) Term: **14 Years**

(21) Appl. No.: **29/125,275**

DESCRIPTION

(22) Filed: **Jun. 21, 2000**

FIG. 1 is a perspective view thereof;

(51) **LOC (7) Cl.** **23-04**

FIG. 2 is a front elevational view thereof, all sides being identical;

(52) **U.S. Cl.** **D23/411**

(58) **Field of Search** D23/411, 377,
D23/379; 416/5

FIG. 3 is a top plan view thereof; and,

FIG. 4 is a bottom plan view thereof.

(56) **References Cited**

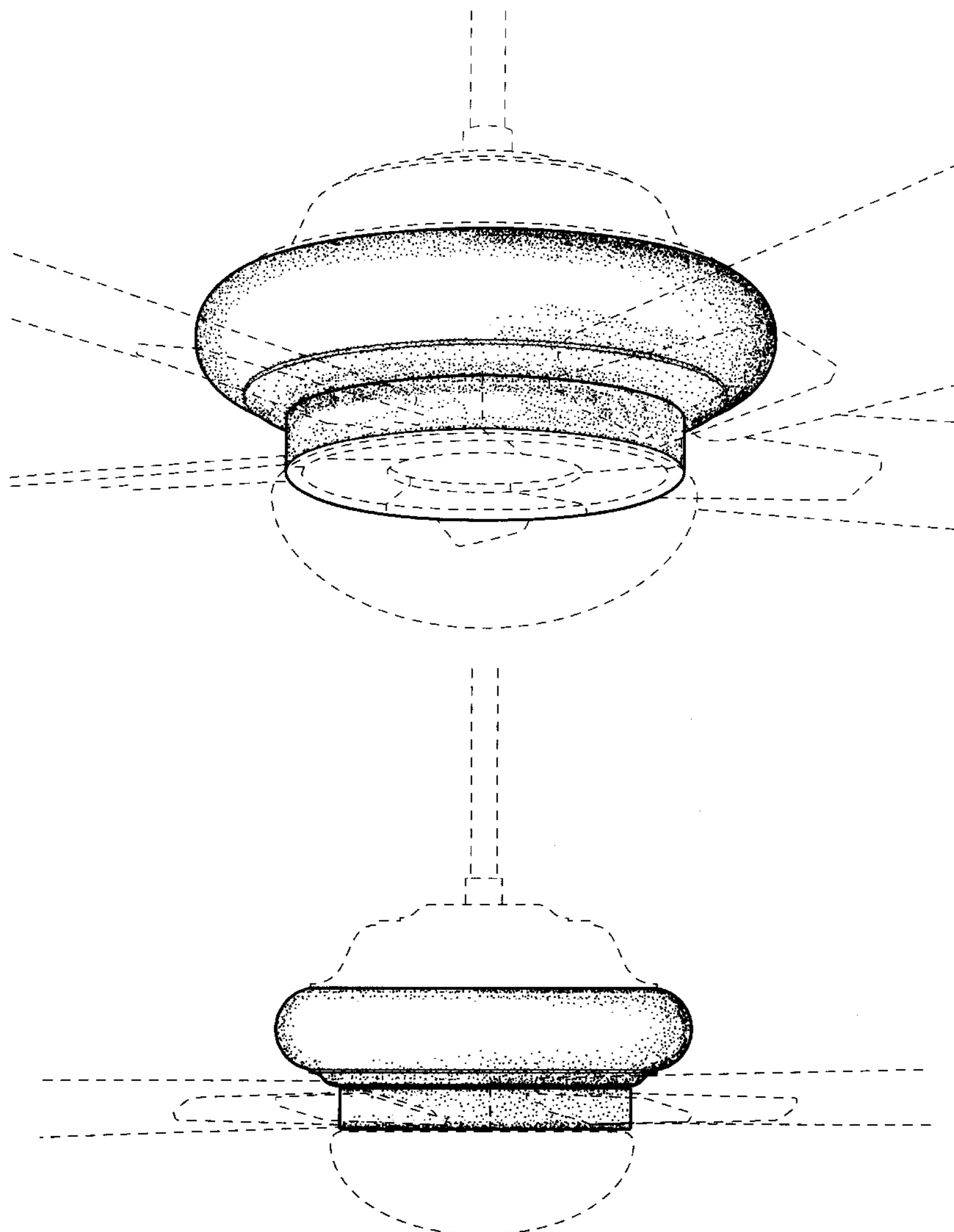
The broken lines shown in the drawing are environmental only and form no part of the claimed design.

U.S. PATENT DOCUMENTS

D. 384,739 * 10/1997 Dolan D23/411

* cited by examiner

1 Claim, 4 Drawing Sheets



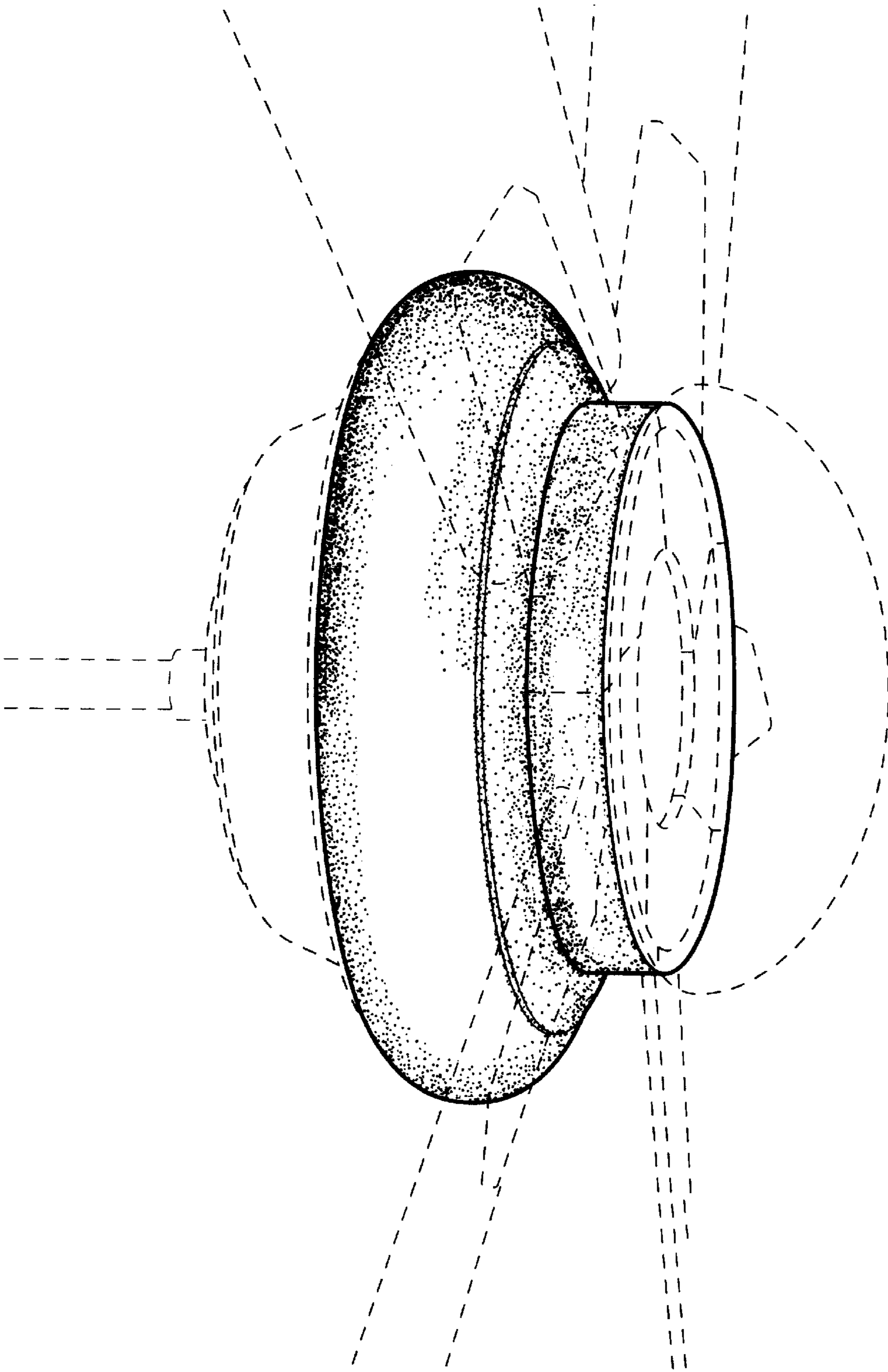


FIG. 1

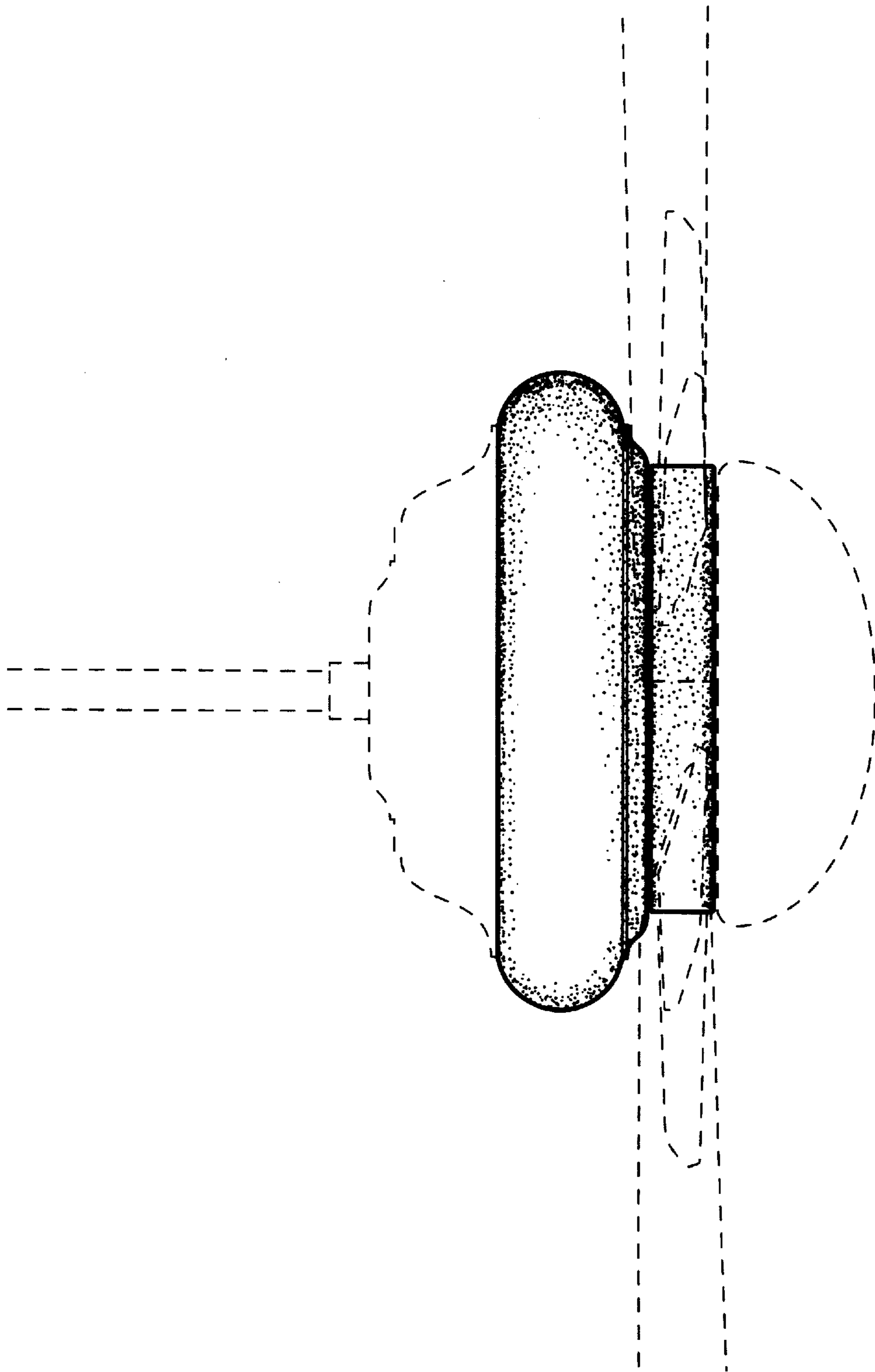


FIG. 2

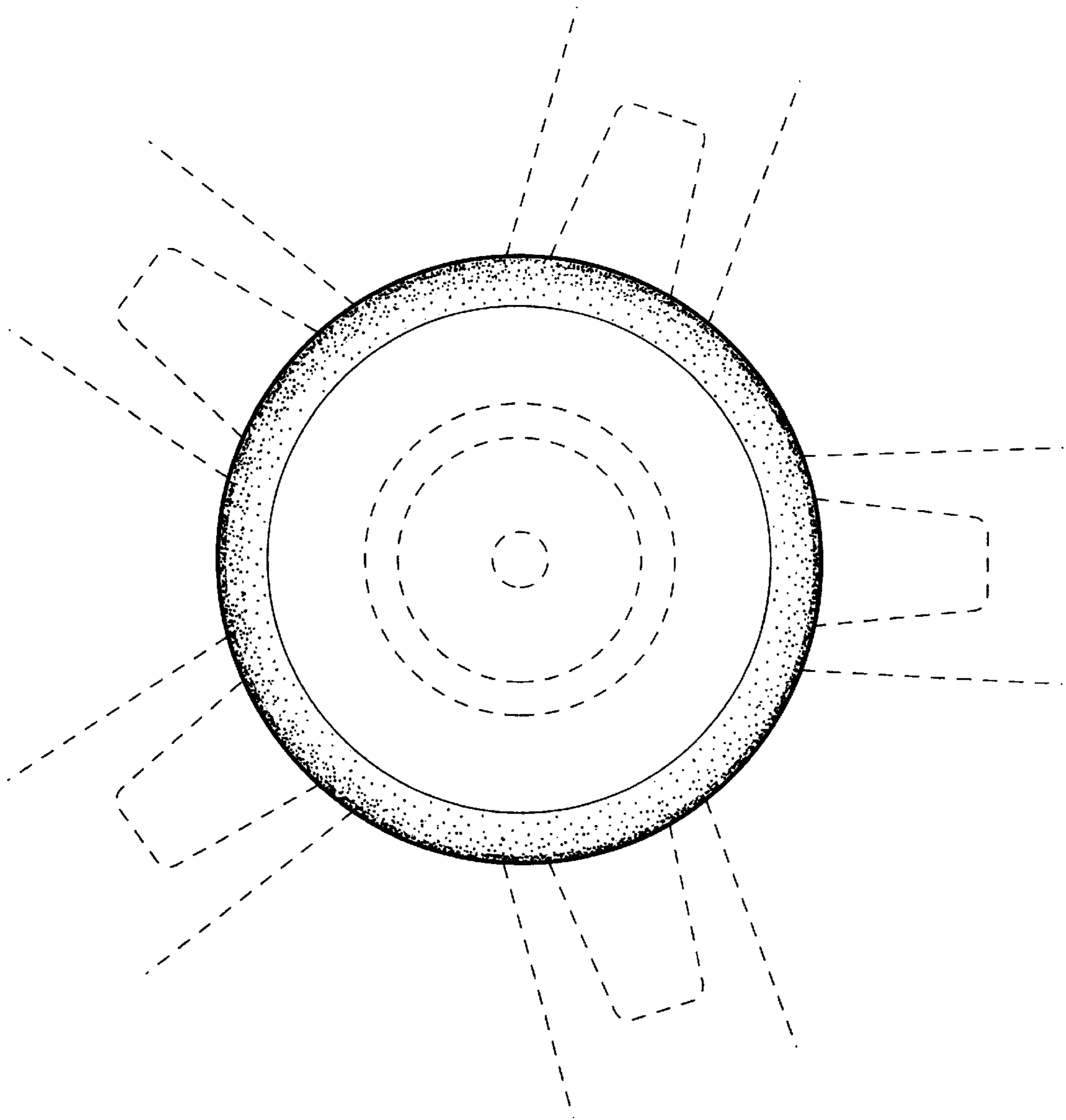


FIG. 3

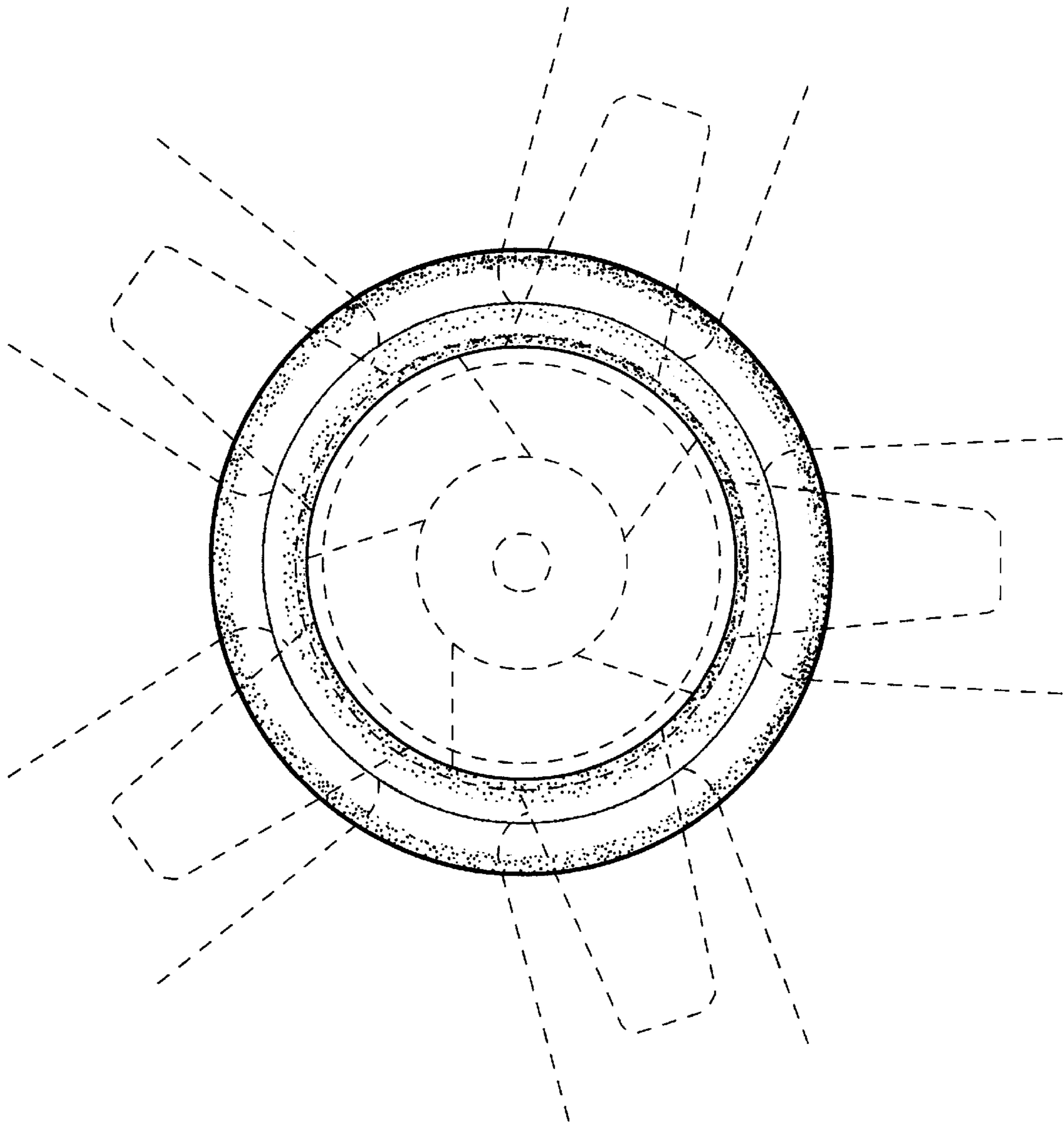


FIG. 4