



US00D443054S

(12) **United States Design Patent**
Spaggiari

(10) **Patent No.:** **US D443,054 S**

(45) **Date of Patent:** **** May 29, 2001**

(54) **CENTRIFUGAL ELECTRIC FAN WITH A FAN WHEEL CONTAINED IN A SPIRAL HOUSING, EQUIPPED WITH ONE LATERAL GRID**

(75) Inventor: **Alessandro Spaggiari**, Correggio (IT)

(73) Assignee: **SPAL S.r.L.**, Correggio (IT)

(**) Term: **14 Years**

(21) Appl. No.: **29/124,091**

(22) Filed: **May 31, 2000**

(30) **Foreign Application Priority Data**

Jan. 27, 2000 (IT) BO0000004

(51) **LOC (7) Cl.** **23-04**

(52) **U.S. Cl.** **D23/370**

(58) **Field of Search** D23/370, 383;
415/203, 204, 206, 214.1, 213.1

(56) **References Cited**

U.S. PATENT DOCUMENTS

5,314,300 * 5/1994 Gatley, Jr. et al. 415/203

5,743,721 * 4/1998 Graham et al. 415/203

5,997,246 * 12/1999 Humbad 415/203

* cited by examiner

Primary Examiner—Lisa Lichtenstein

(74) *Attorney, Agent, or Firm*—Browdy and Neimark

(57) **CLAIM**

The ornamental design for a centrifugal electric fan with a fan wheel contained in a spiral housing, equipped with one lateral grid, as shown and described.

DESCRIPTION

FIG. 1 is a bottom plan view of a centrifugal electric fan with a fan wheel containing a spiral housing, equipped with one lateral grid showing my new design;

FIG. 2 is a front elevational view thereof;

FIG. 3 is a rear elevational view thereof;

FIG. 4 is a side elevational view from right thereof;

FIG. 5 is a side elevational view from left thereof;

FIG. 6 is a top plan view thereof;

FIG. 7 is a perspective view from right hand side thereof, on a reduced scale; and,

FIG. 8 is a perspective view from left hand side thereof, on a reduced scale.

The broken line showing of environmental structure in FIGS. 1, 3 and 8 is for illustrative purposes only and forms no part of the claimed design.

1 Claim, 7 Drawing Sheets

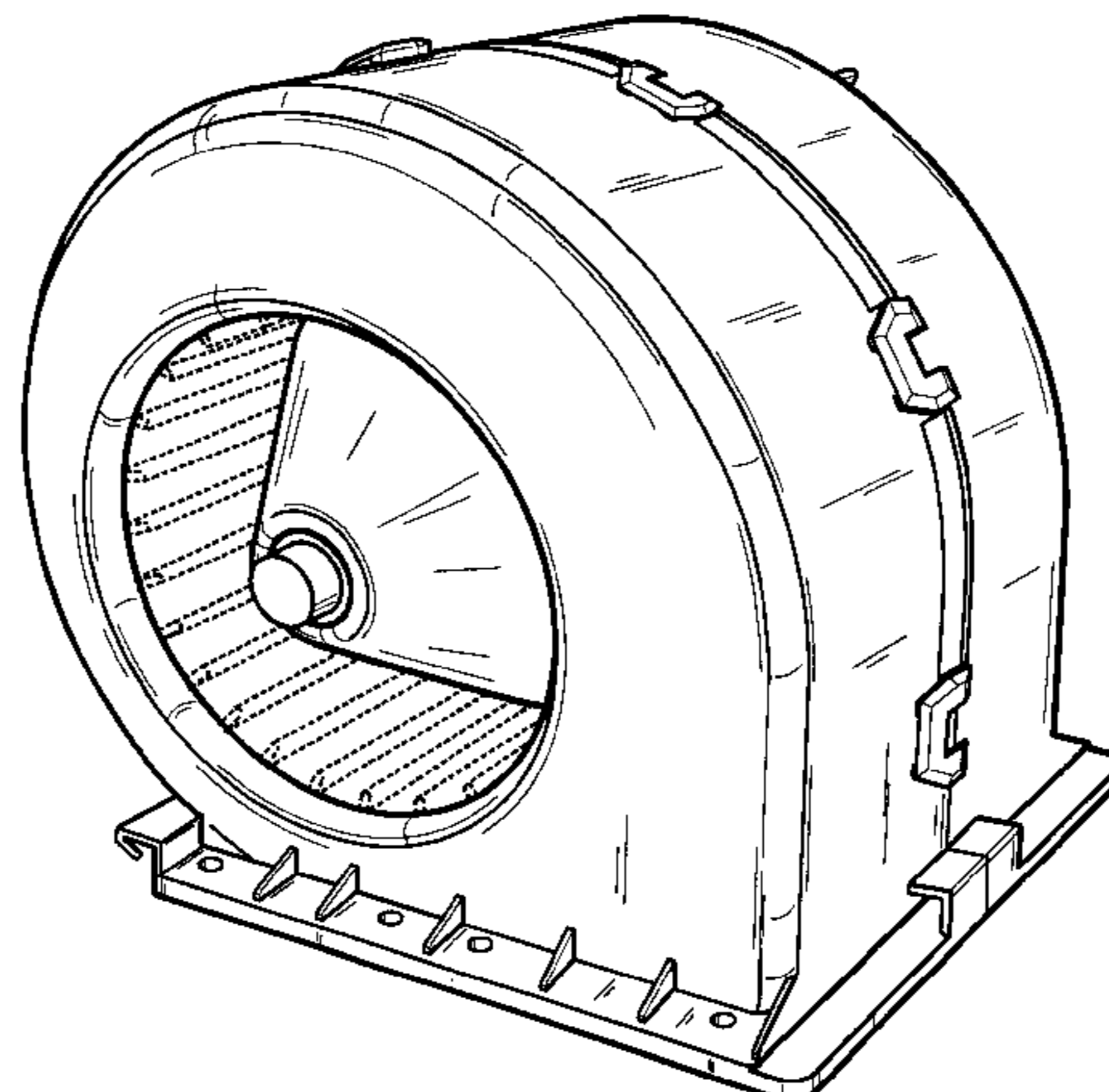
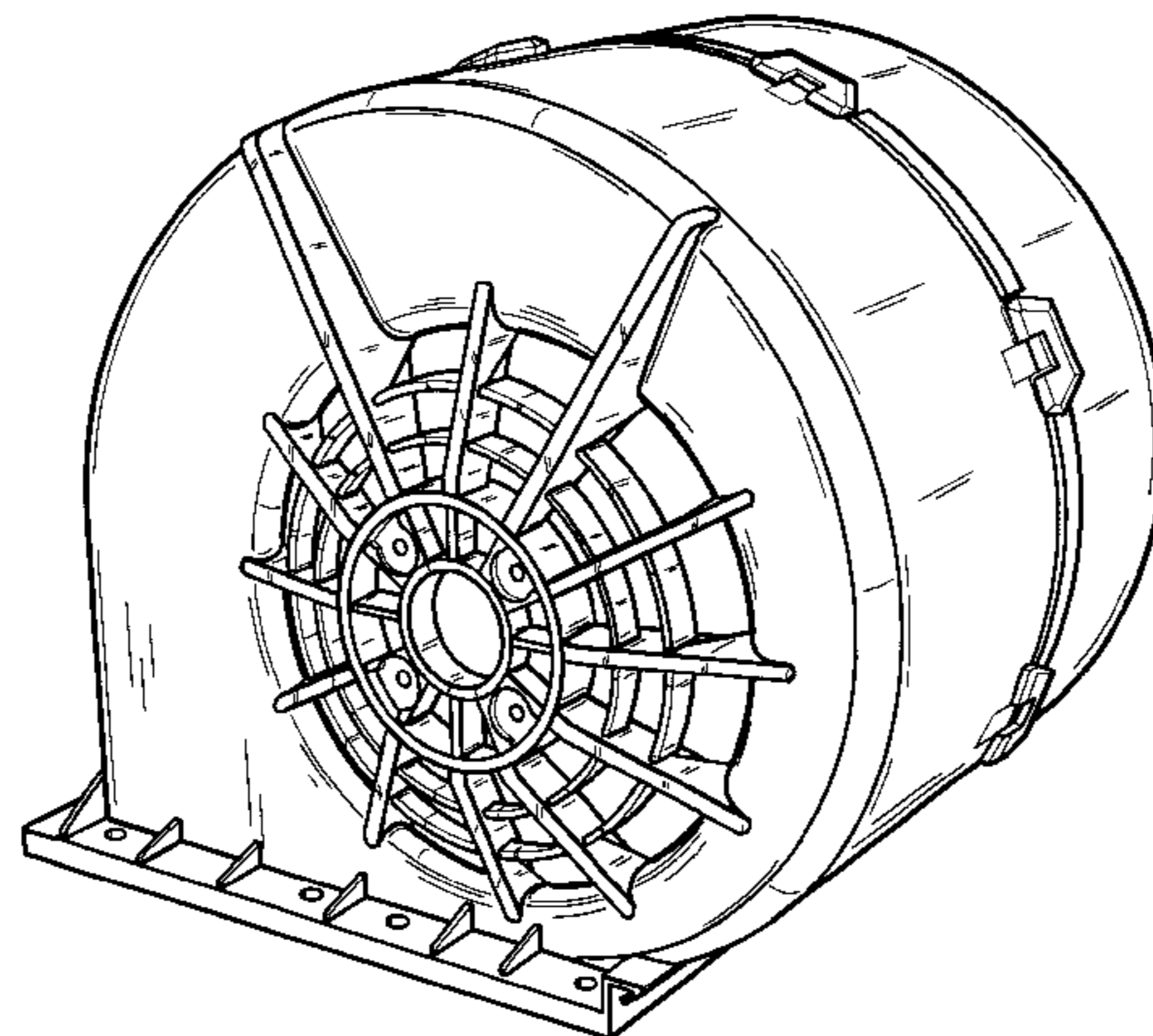


FIG. 1

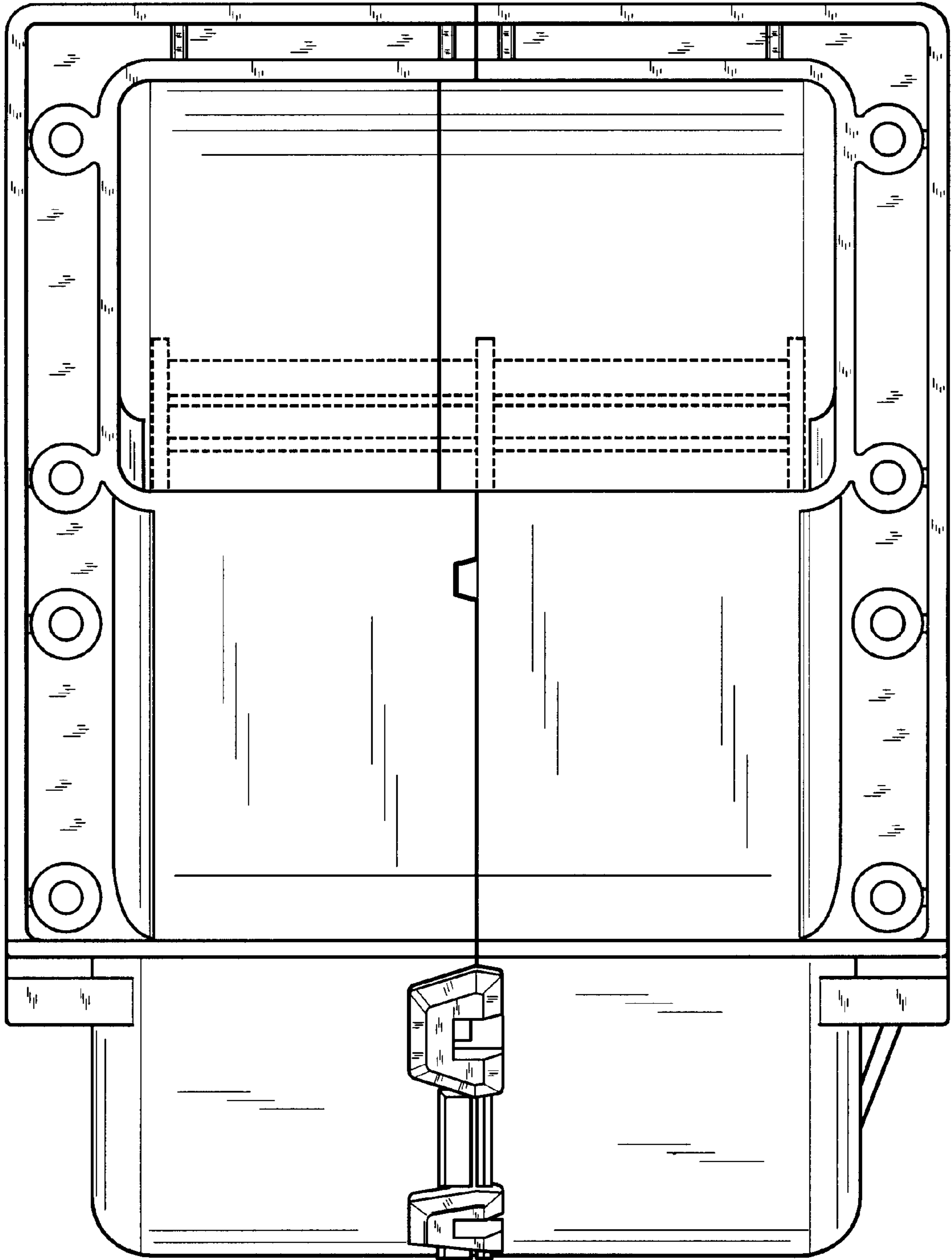


FIG. 2

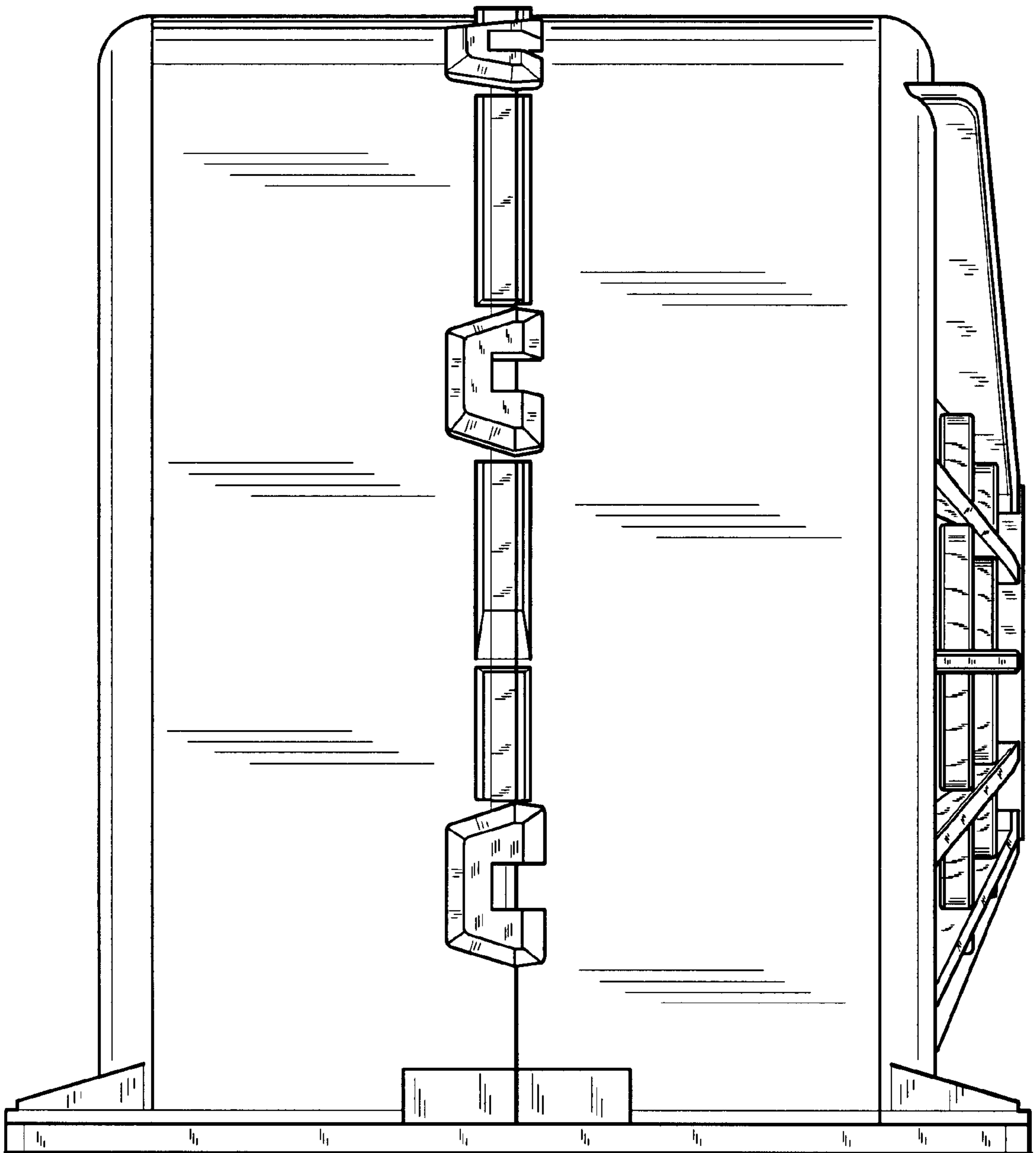


FIG. 3

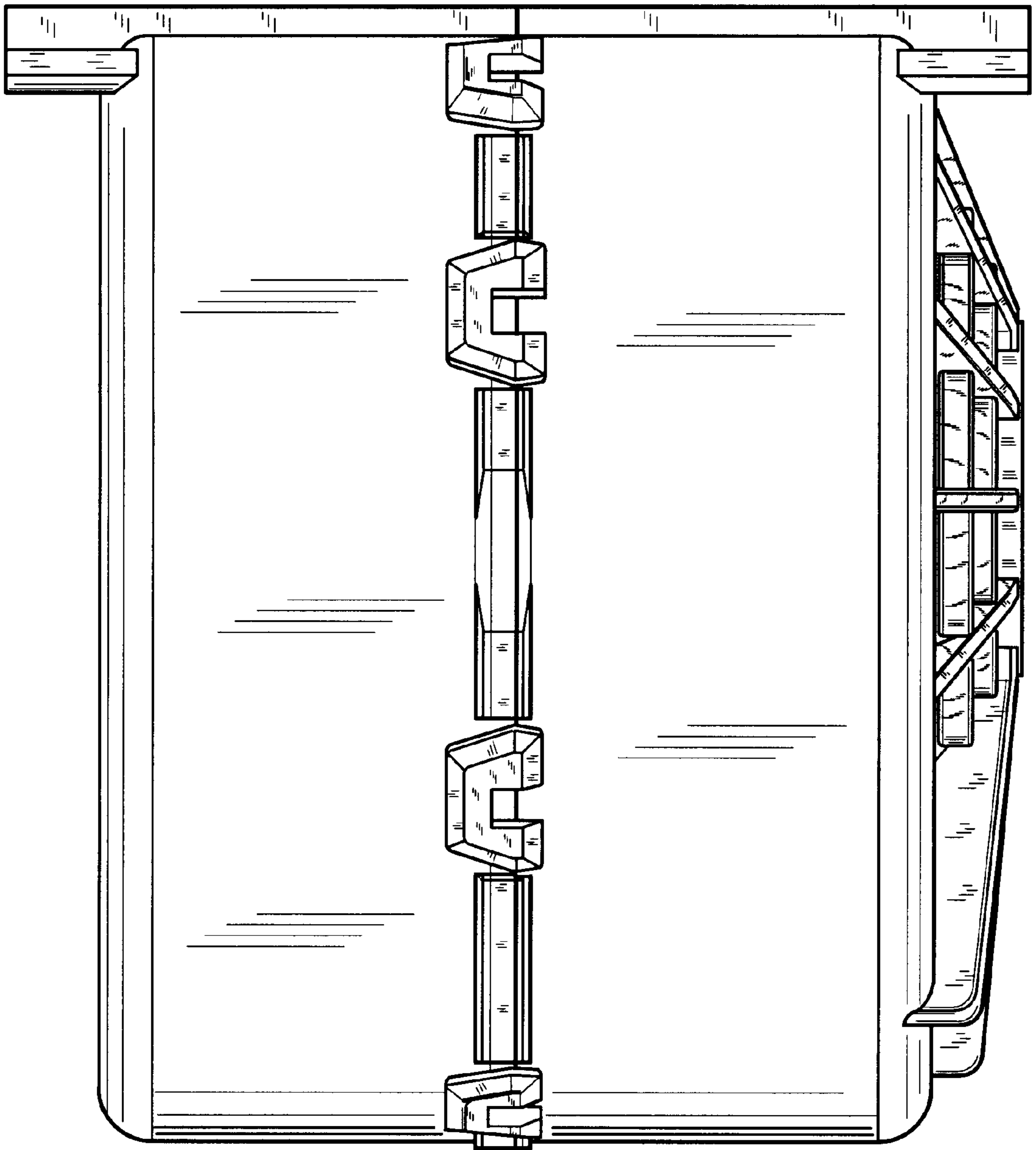


FIG. 4

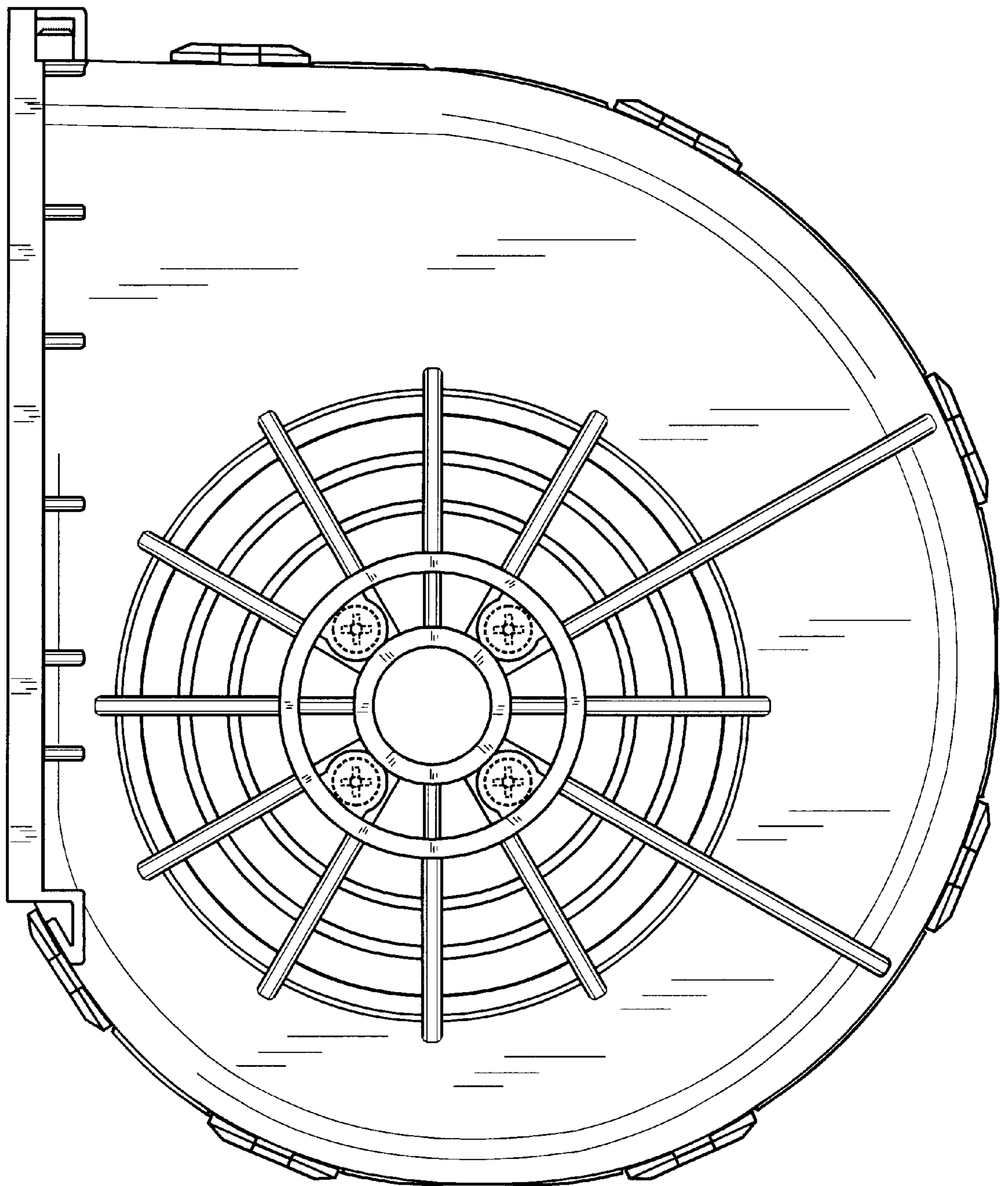


FIG. 5

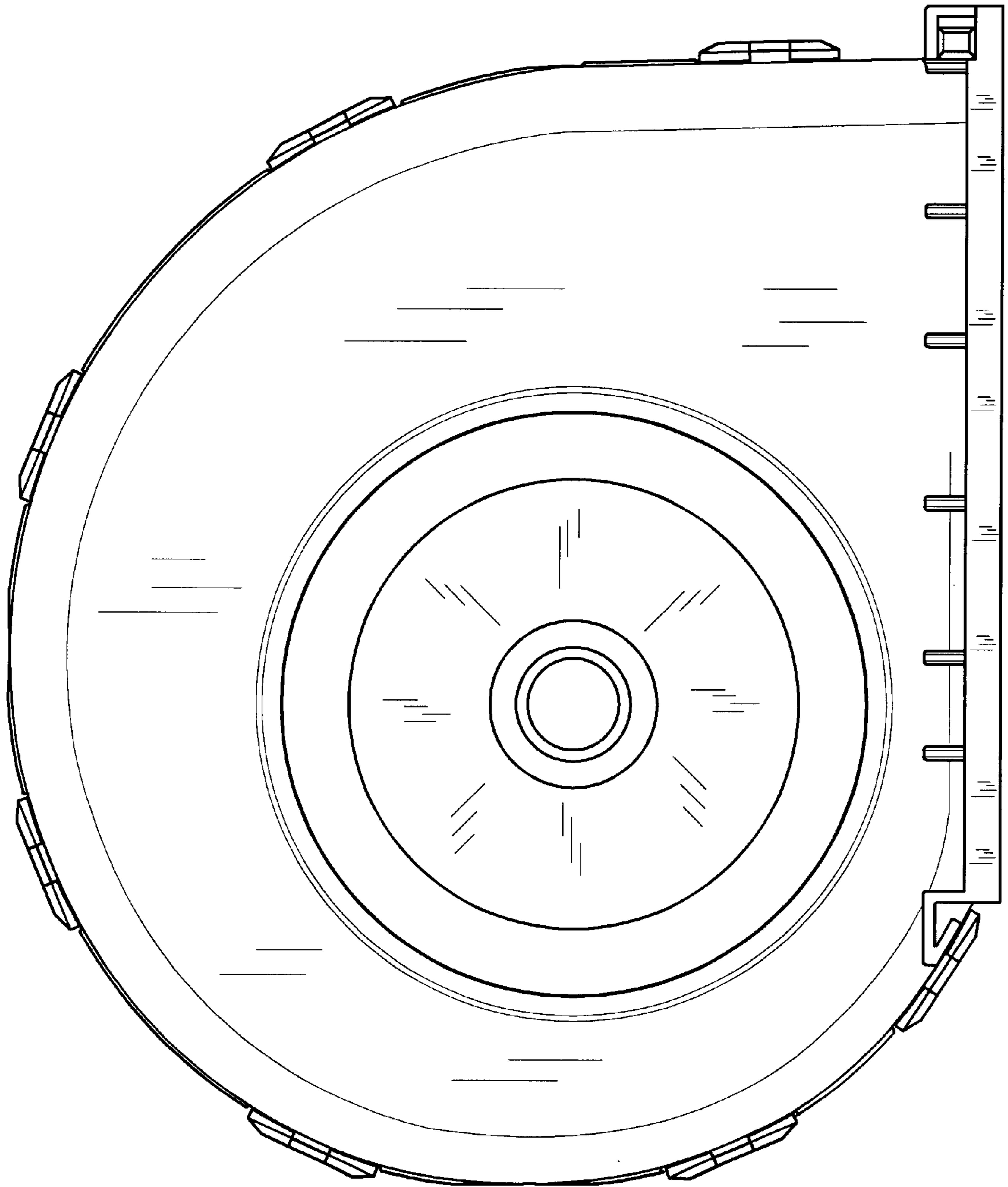


FIG. 6

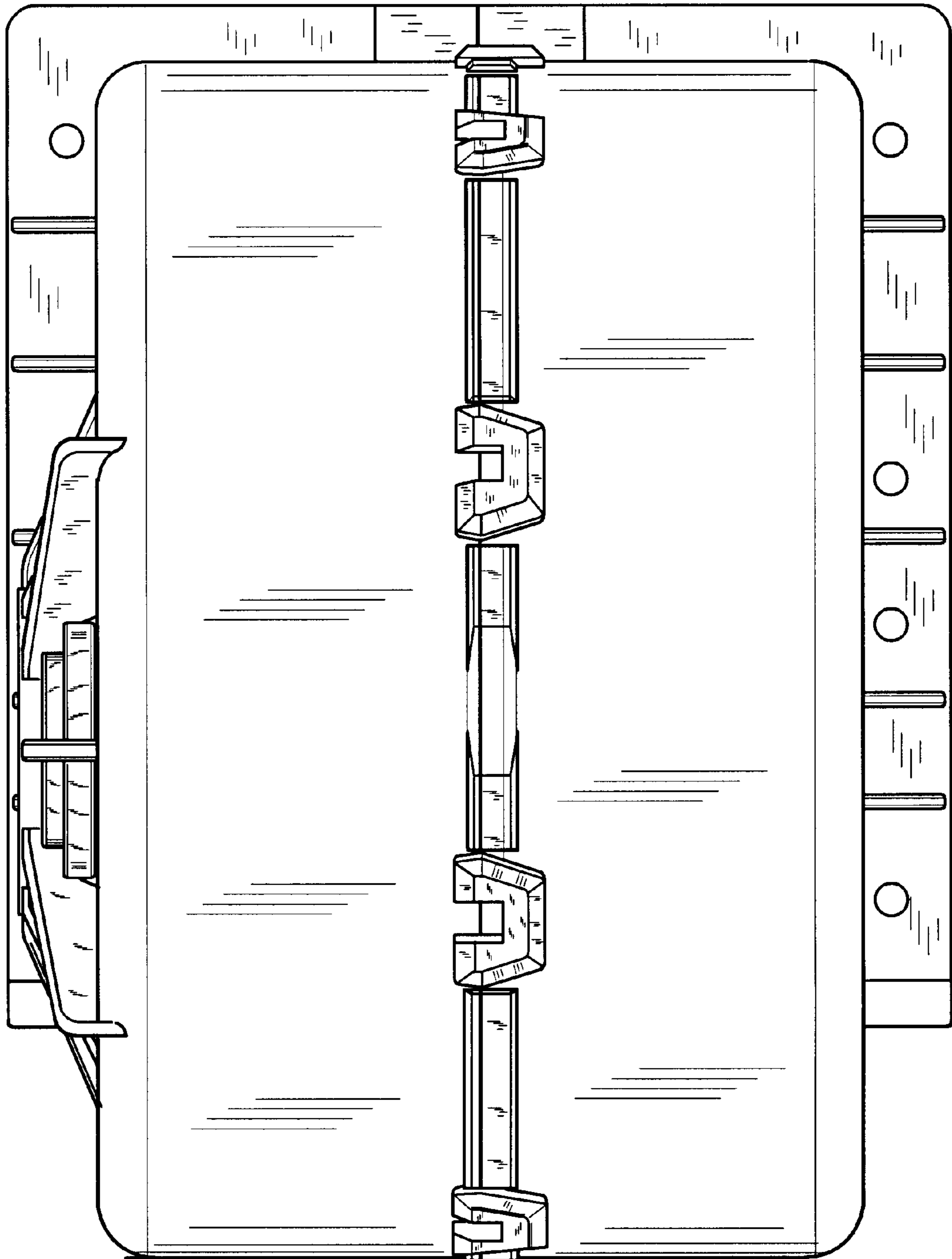


FIG. 7

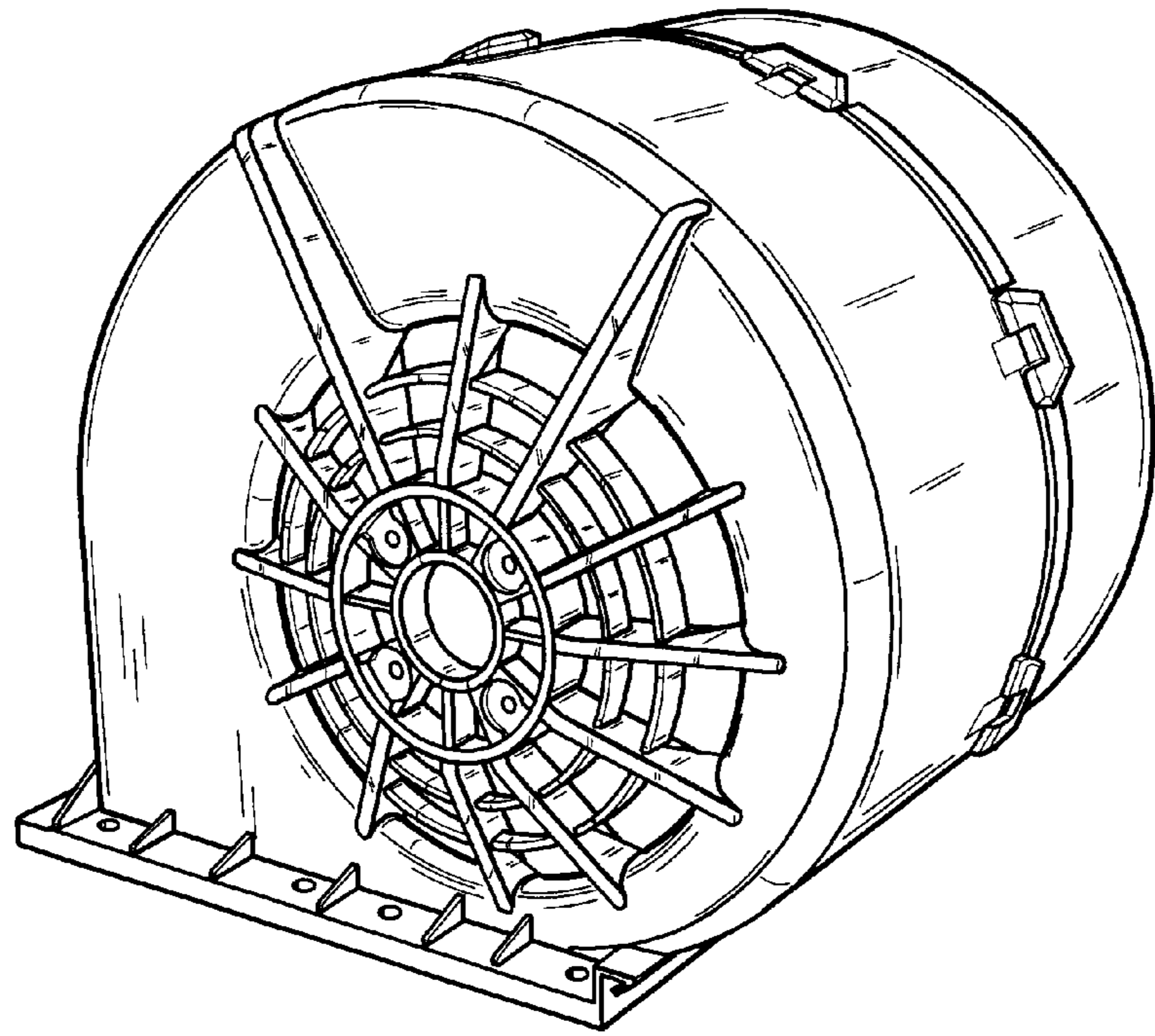


FIG. 8

