



US00D443046S

(12) **United States Design Patent**
Primucci et al.

(10) **Patent No.:** **US D443,046 S**

(45) **Date of Patent:** **** May 29, 2001**

(54) **TUB**

D. 233,932 * 12/1974 Seymour D23/275
D. 333,512 * 2/1993 Kohler, Jr. et al. D23/275

(75) Inventors: **Joseph Primucci**, Toronto (CA); **John Charles Cook**, Ventura, CA (US)

* cited by examiner

(73) Assignee: **Mirolin Industries Corporation (CA)**

Primary Examiner—Louis S. Zarfes

(**) Term: **14 Years**

Assistant Examiner—Robert A. Delehanty

(21) Appl. No.: **29/123,361**

(74) *Attorney, Agent, or Firm*—Carlson, Gaskey & Olds, P.C.

(22) Filed: **May 16, 2000**

(51) **LOC (7) Cl.** **23-02**

(52) **U.S. Cl.** **D23/277**

(58) **Field of Search** D23/275–279,
D23/280.1, 283, 303–307; 4/538, 546, 556,
584, 596, 612, 613, 614

(57) **CLAIM**

I claim the ornamental design for a tub, as shown and described.

DESCRIPTION

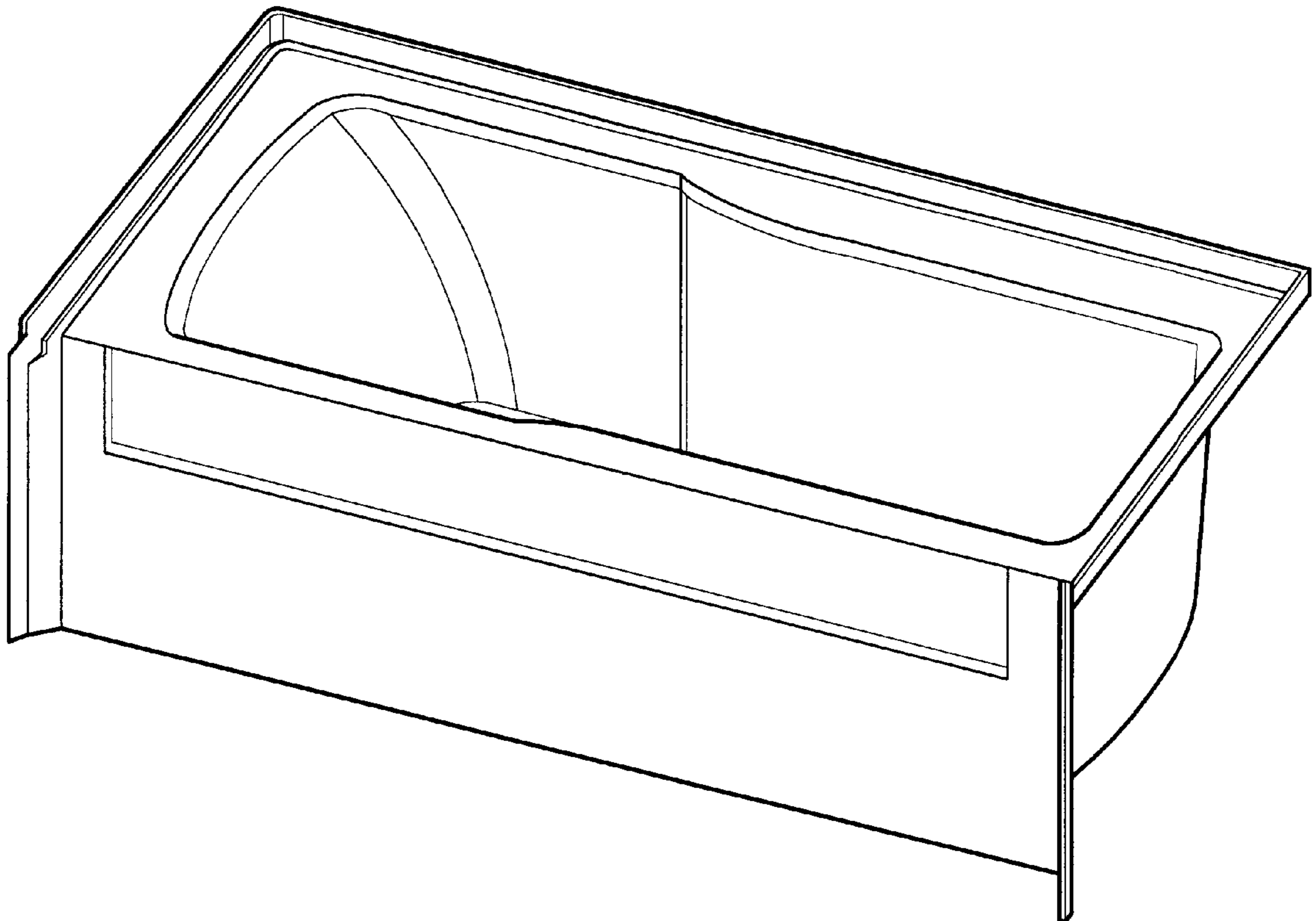
FIG. 1 is a front, top perspective view of a tub for bathing showing my new design;
FIG. 2 is a top plan view thereof;
FIG. 3 is a front elevation view thereof;
FIG. 4 is a right side elevation view thereof;
FIG. 5 is a left side elevation view thereof; and,
FIG. 6 is a rear elevation view thereof.

(56) **References Cited**

U.S. PATENT DOCUMENTS

- D. 181,166 * 10/1957 Schiffman D23/306
- D. 219,976 * 2/1971 Seymour D23/275
- D. 225,739 * 1/1973 Seymour D23/275

1 Claim, 2 Drawing Sheets



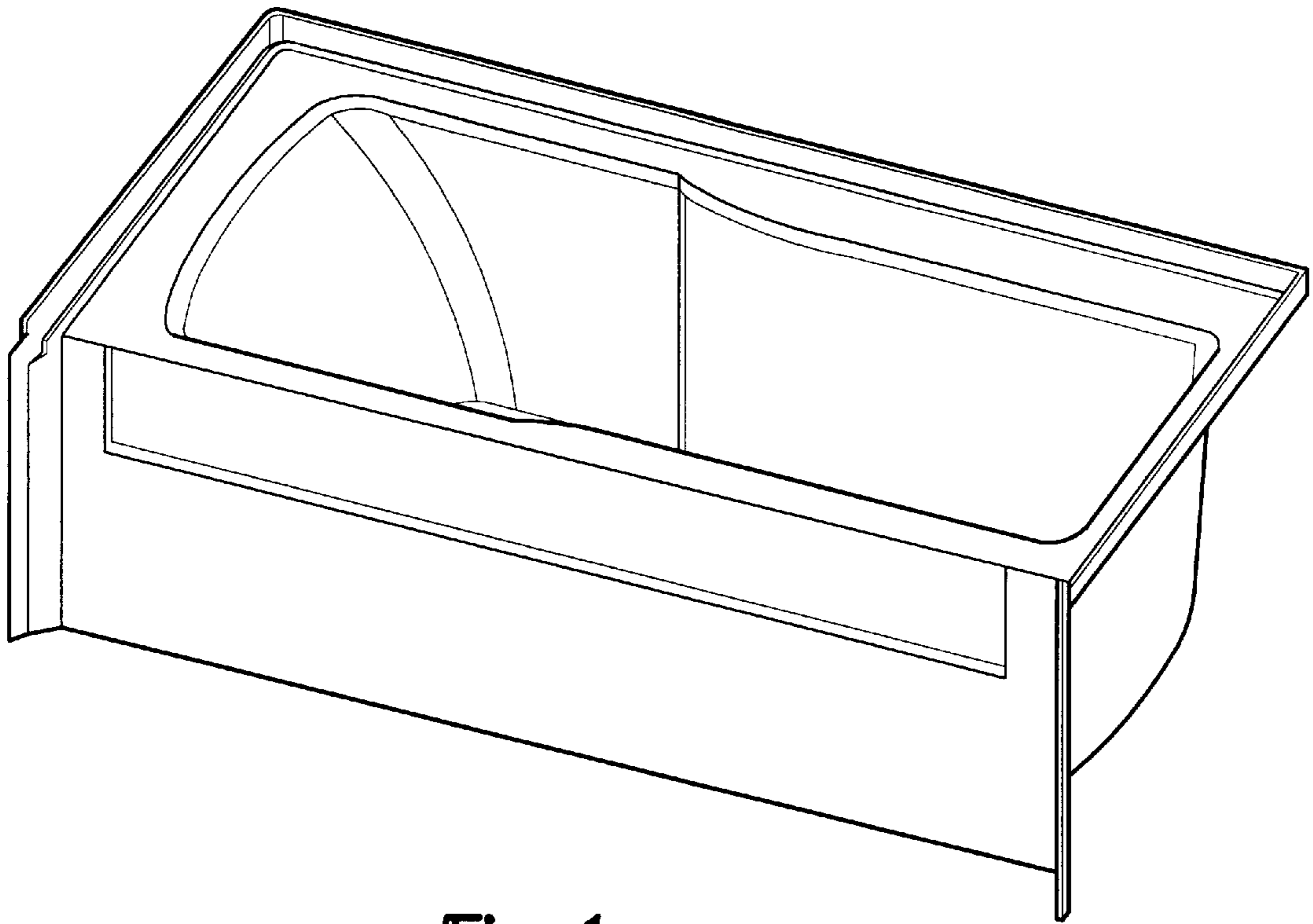


Fig-1

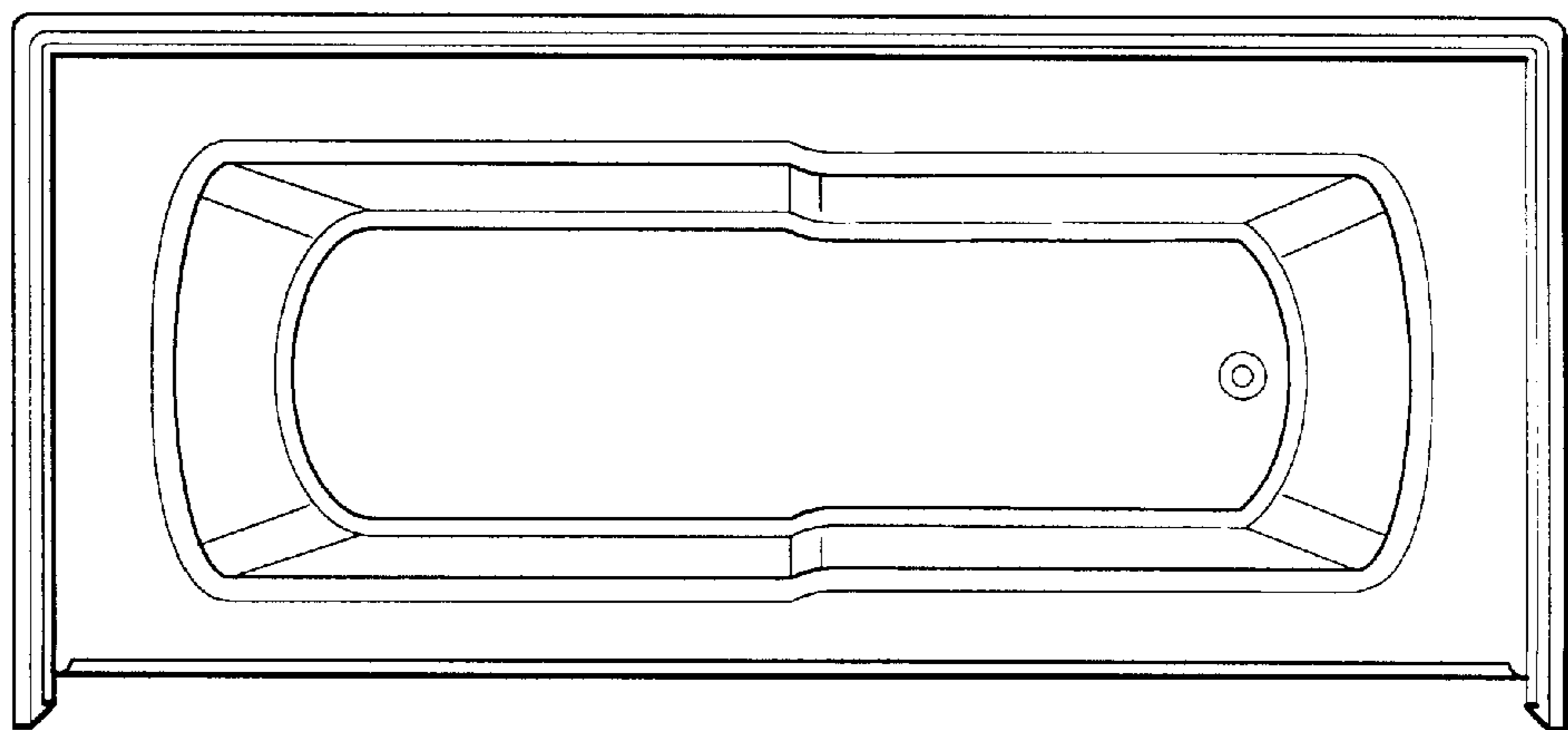


Fig-2

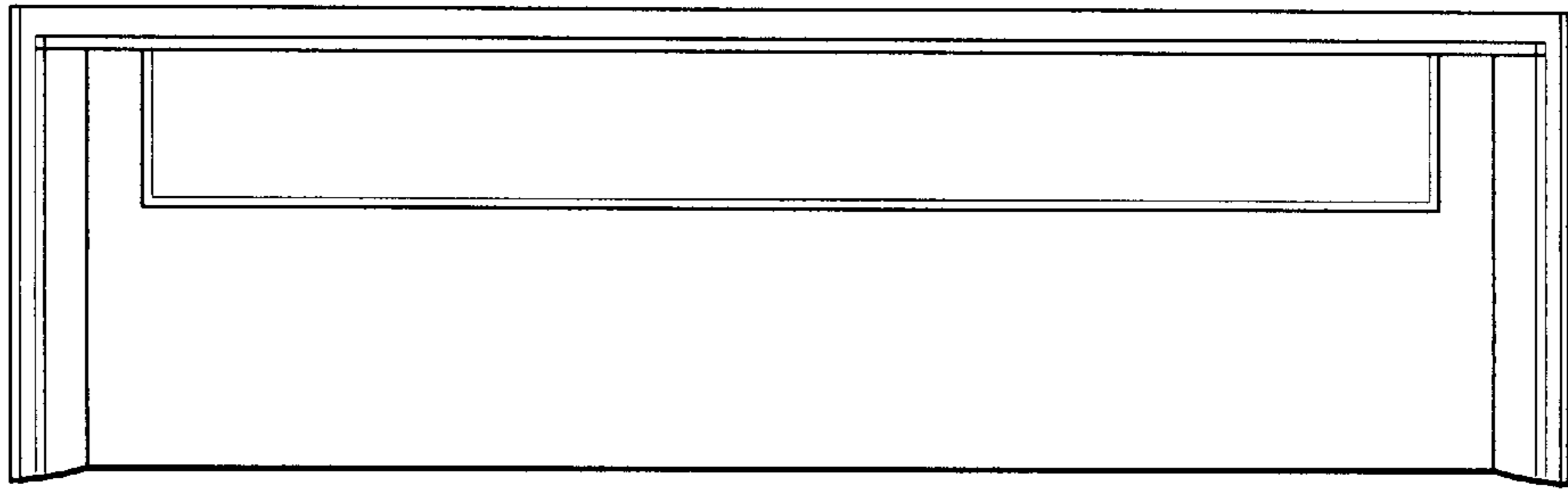


Fig-3

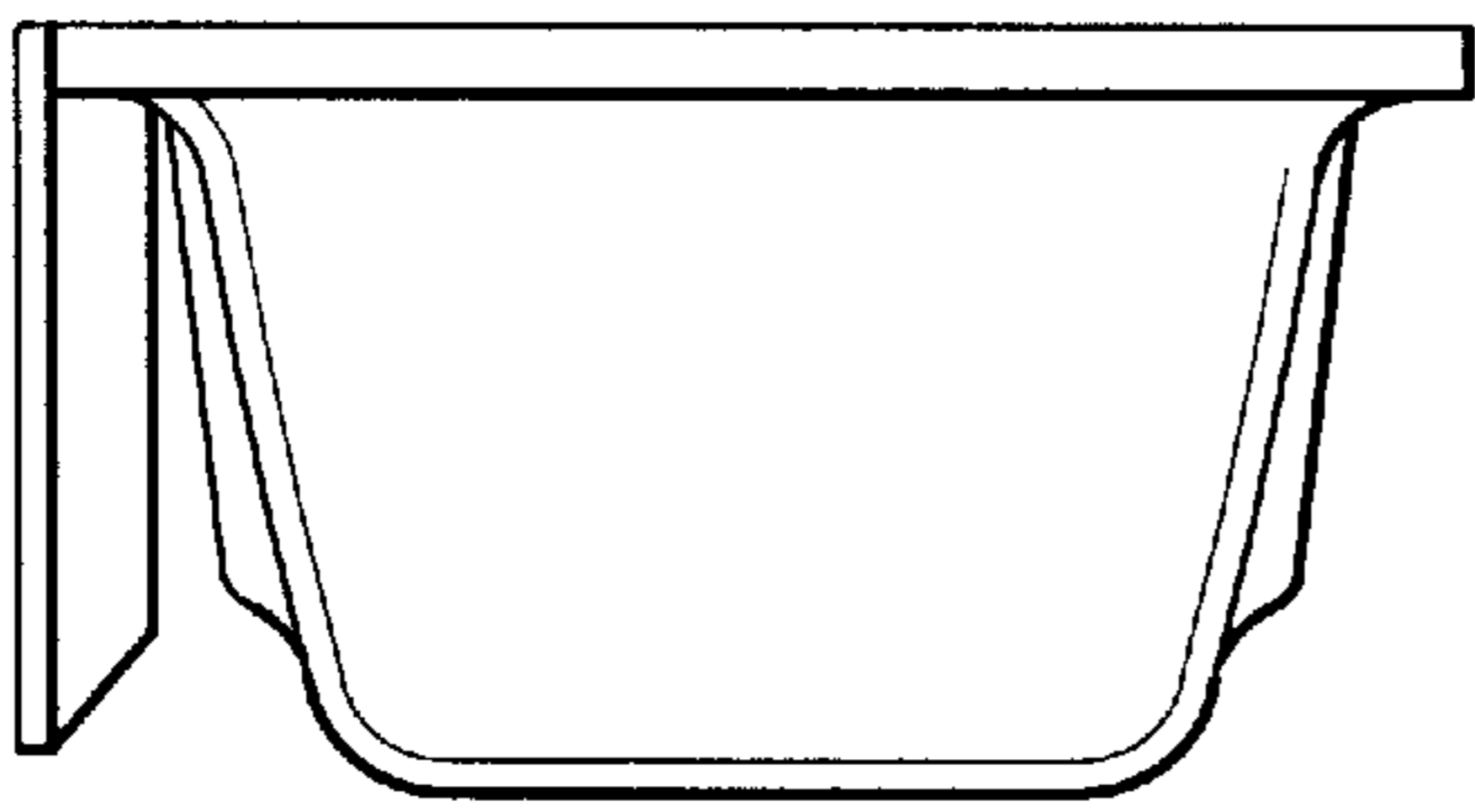


Fig-4

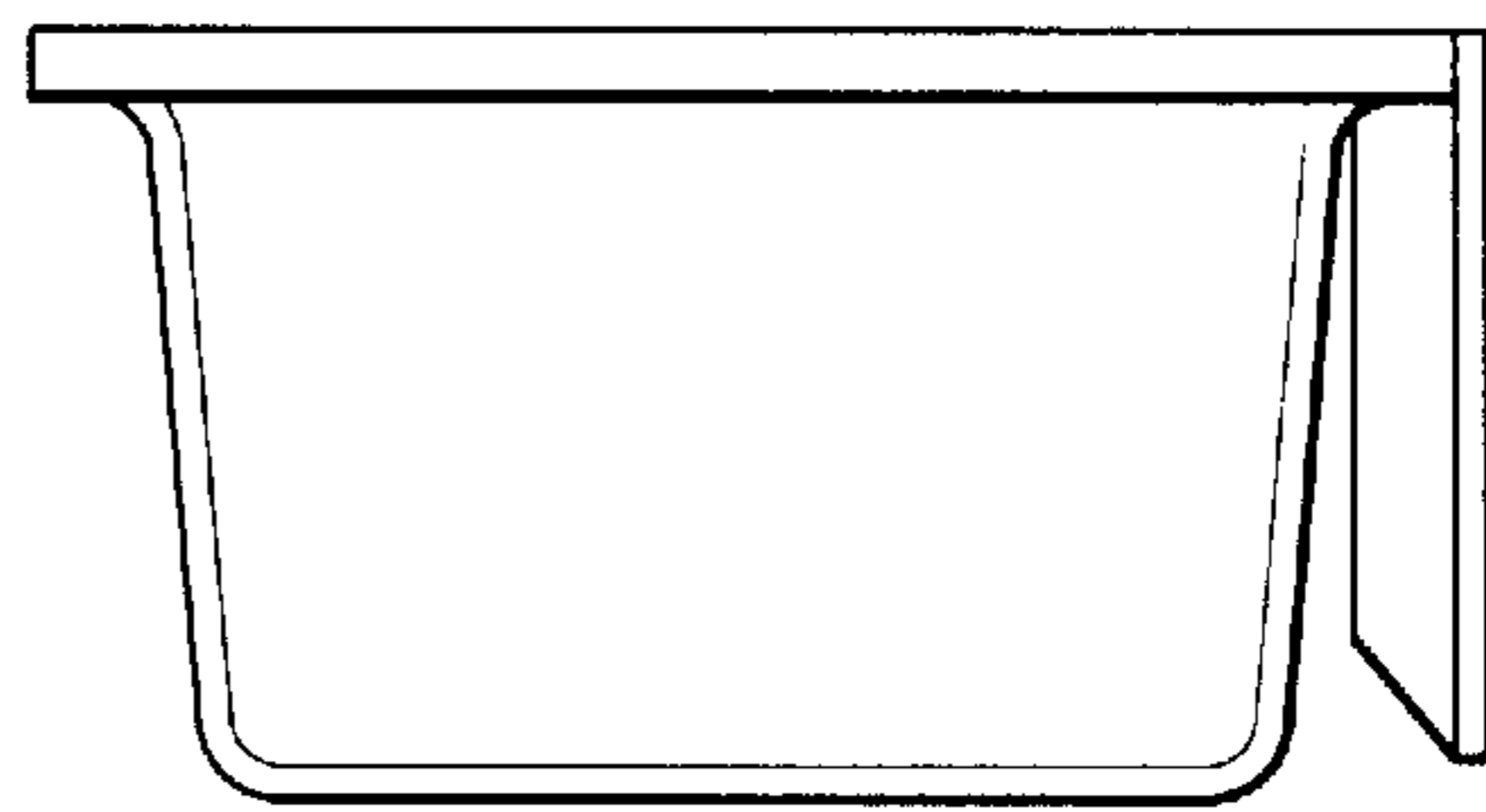


Fig-5

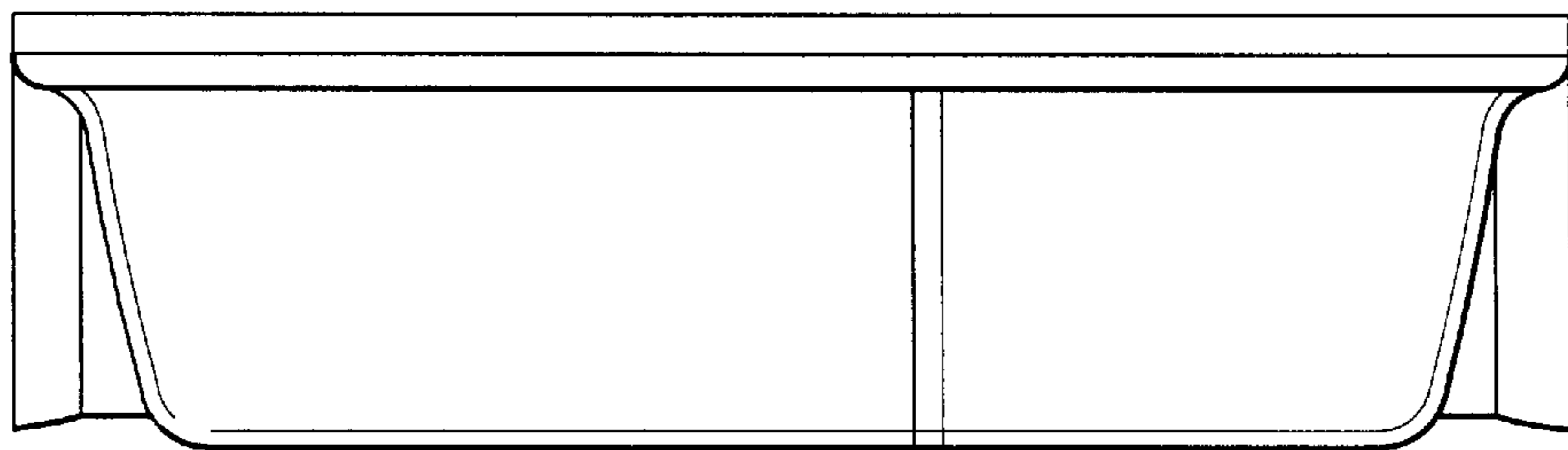


Fig-6