



US00D443042S

(12) **United States Design Patent**  
**Ungaro**

(10) **Patent No.:** **US D443,042 S**

(45) **Date of Patent:** **\*\* May 29, 2001**

(54) **VANITY TABLE**

(75) **Inventor:** **Nicholas Ungaro**, Chagrin Falls, OH  
(US)

(73) **Assignee:** **Kraftmaid Cabinetry, Inc.**,  
Middlefield, OH (US)

(\*\*) **Term:** **14 Years**

(21) **Appl. No.:** **29/118,359**

(22) **Filed:** **Feb. 7, 2000**

(51) **LOC (7) Cl.** ..... **06-04**

(52) **U.S. Cl.** ..... **D23/270**

(58) **Field of Search** ..... D23/270-274,  
D23/284-292, 293.1, 303, 308; 4/619, 630-632,  
637-640, 643; D6/206, 312, 396, 560-561,  
480, 553, 559; 312/140.1, 228, 237, 251.3,  
251.4, 251.5

(56) **References Cited**

**U.S. PATENT DOCUMENTS**

D. 82,155 \* 6/1930 Holloway ..... D6/480 X

D. 225,602 \* 12/1972 Winrow ..... D6/480 X  
D. 355,800 \* 2/1995 Ward ..... D6/480 X  
D. 367,317 \* 2/1996 Liu ..... D23/286  
D. 414,057 \* 9/1999 Walters, III et al. .... D6/480

\* cited by examiner

*Primary Examiner*—Ian Simmons

*Assistant Examiner*—Robert A Delehanty

(74) *Attorney, Agent, or Firm*—Edgar A. Zarins; Lloyd D. Doigan

(57) **CLAIM**

The ornamental design for a vanity table, as shown and described.

**DESCRIPTION**

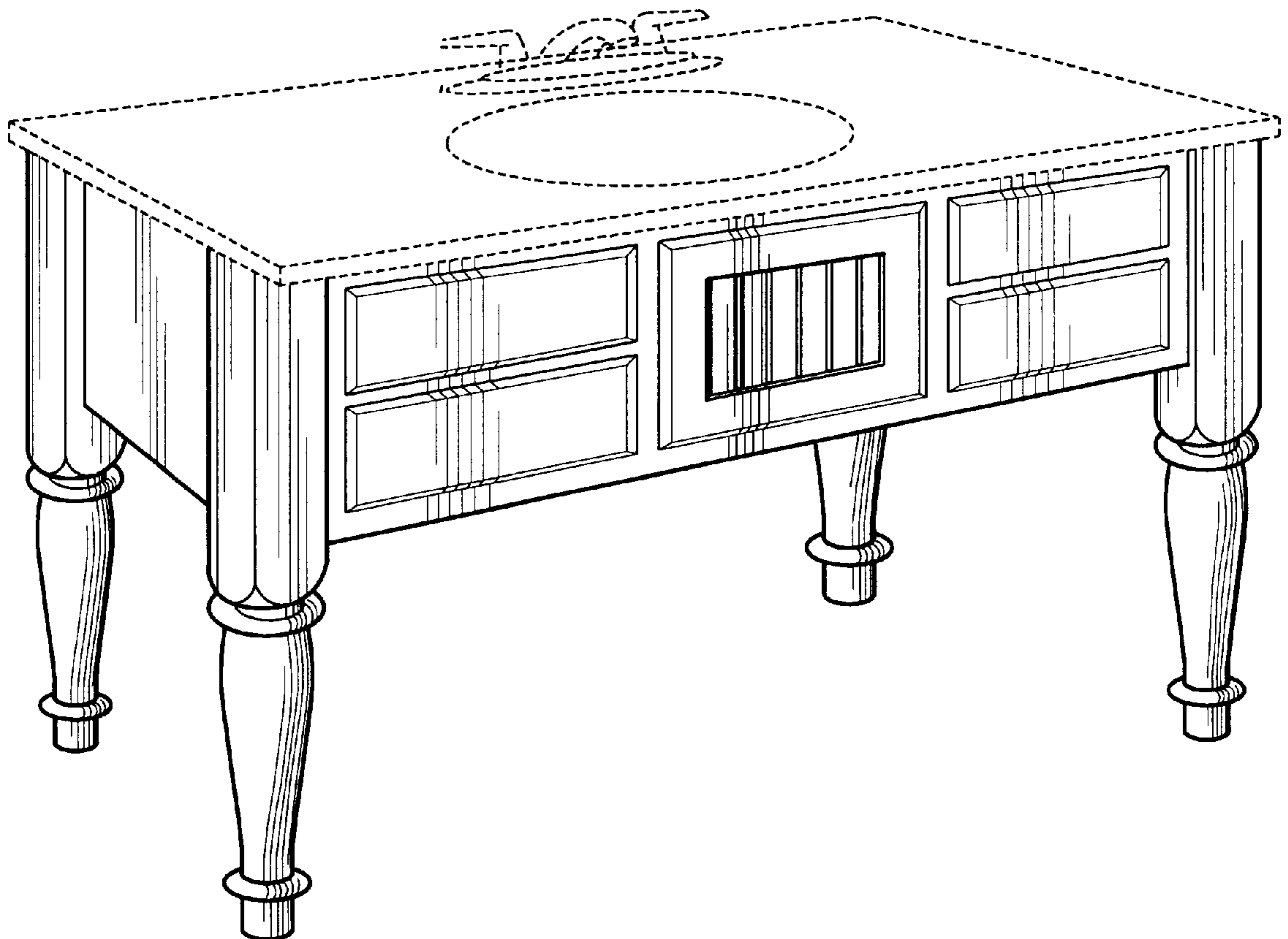
FIG. 1 is a perspective view of a vanity table showing my design;

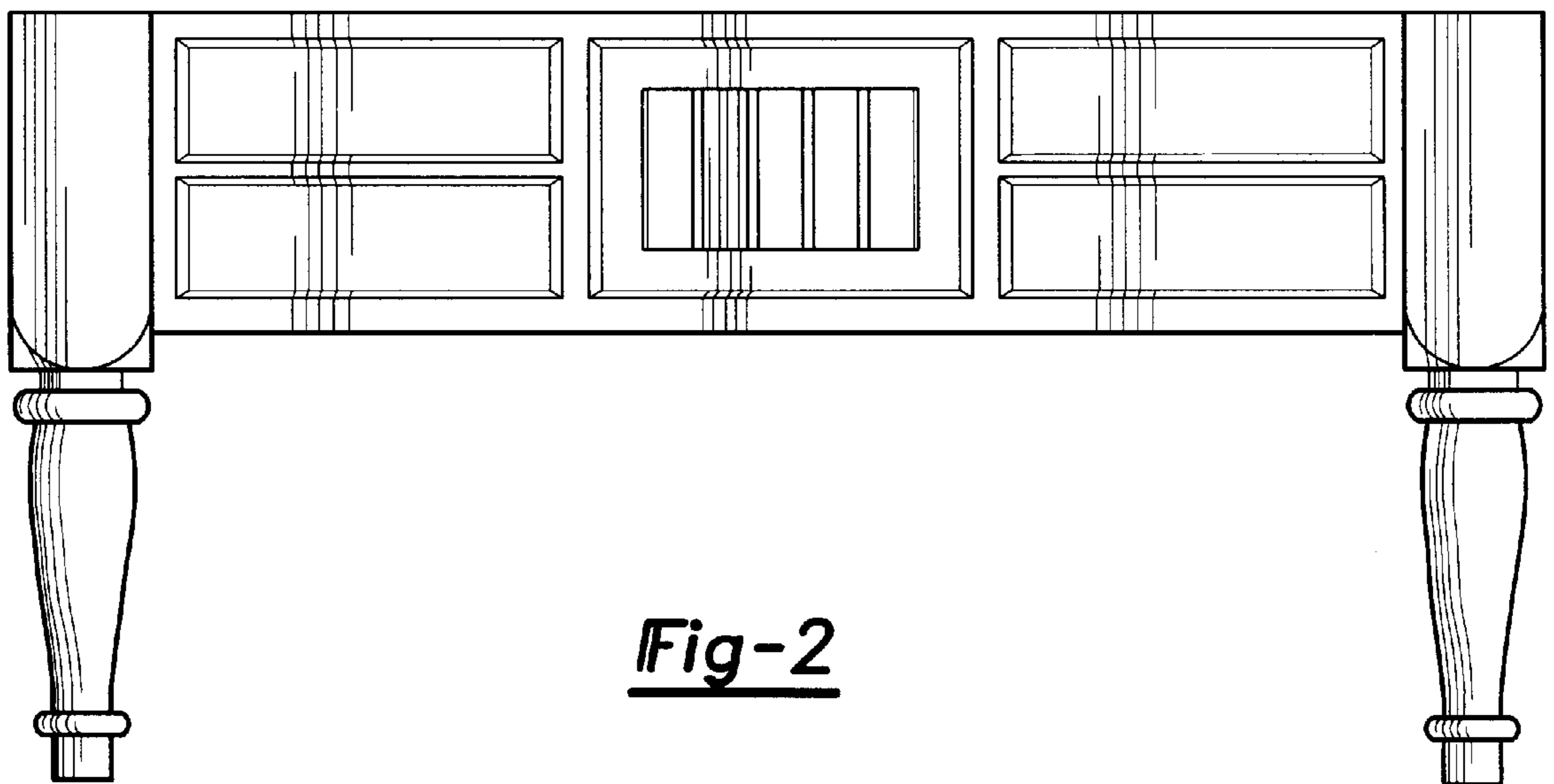
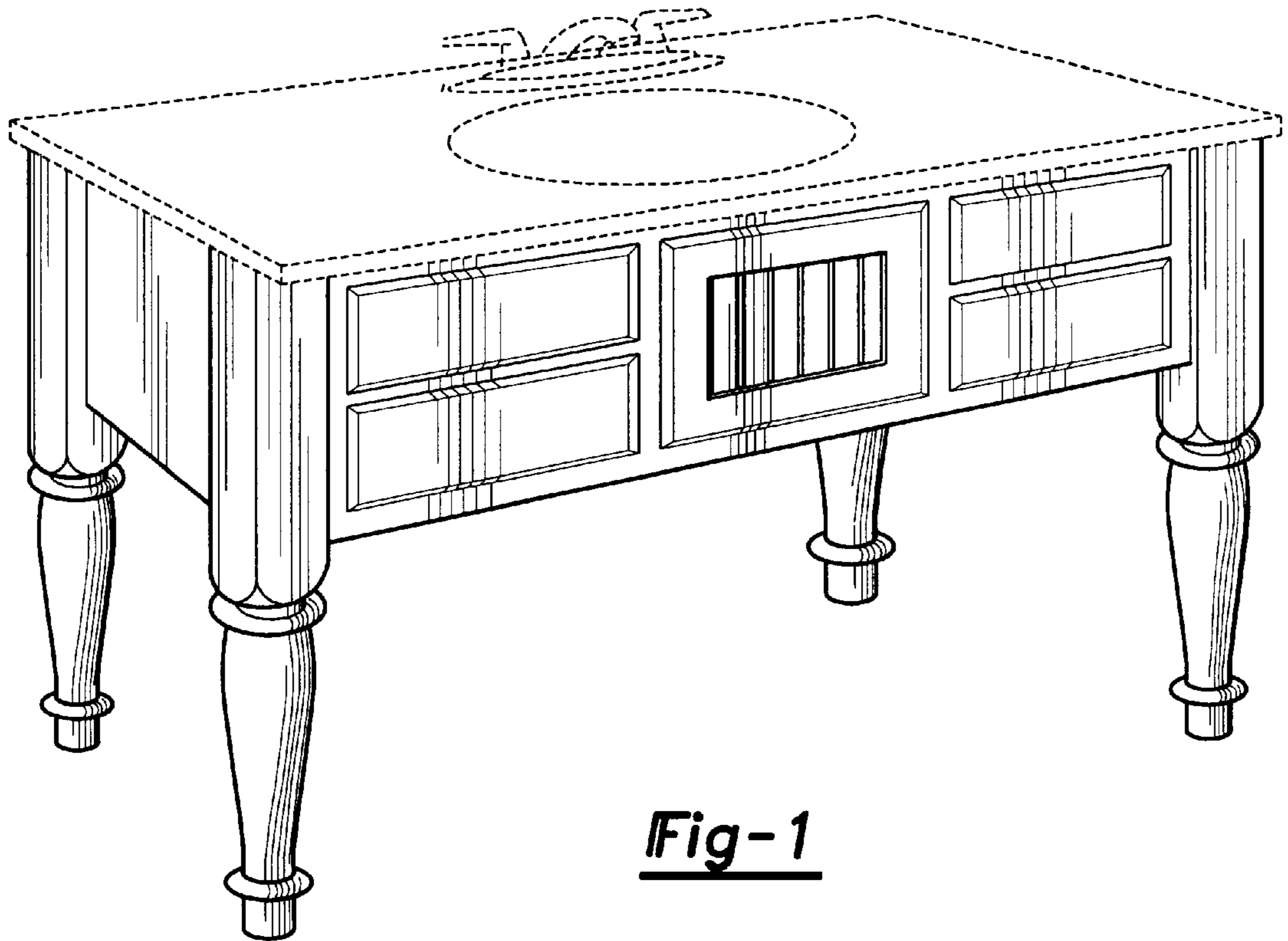
FIG. 2 is a front elevational view thereof; and,

FIG. 3 is a right view thereof.

The broken line showing of the top surface is for illustrative purposes only and forms no part of the claimed design.

**1 Claim, 2 Drawing Sheets**





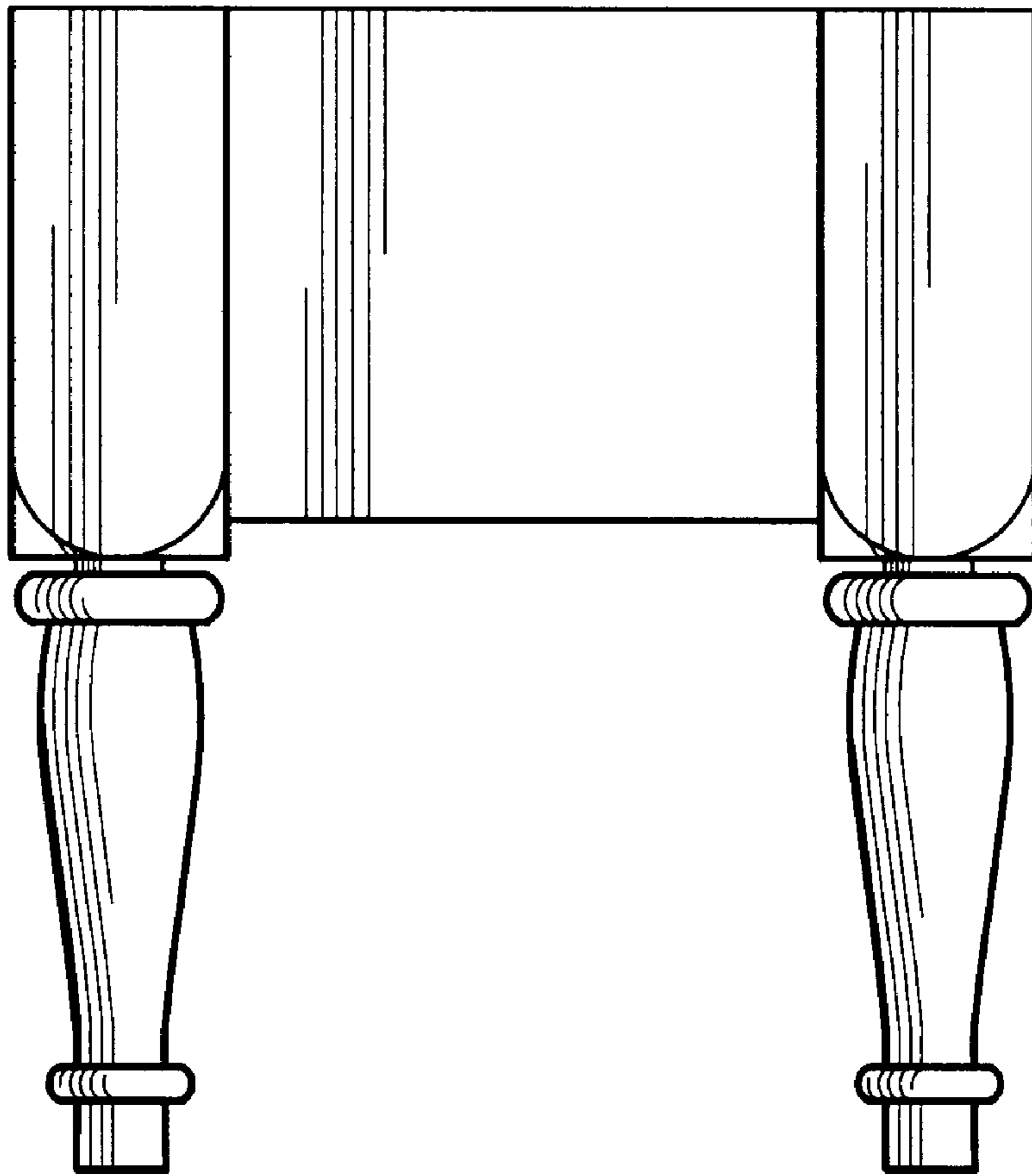


Fig-3